



Standard Features & Accessories

All models include

- QuickCook™ surface elements utilize ribbon technology—elements reach full power in about three seconds
- Strong, wear-resistant glass ceramic top
- High infrared transmission for fast cooking, regardless of the type of cookware used

DERT301 model includes

- Left front element—7" 1,800 watts
- Left rear element—7" 1,800 watts
- Bridge element between left front and left rear elements; creates a

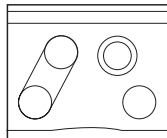
- continuous heated surface—800 watts
- Right front element—6-1/2" 1,500 watts
- Right rear (dual element)—9" 2,500 watts/6" 1,000 watts

DERT361 model includes

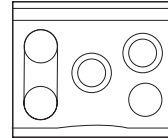
- Left front element—7" 1,800 watts
- Left rear element—7" 1,800 watts
- Bridge element between left front and left rear elements; creates a continuous heated surface—800 watts
- Center (dual element)—12" 2,700 watts/8-1/2" 1,700 watts
- Right front element—6-1/2" 1,500 watts

- Right rear (dual element)—8-1/4" 2,200 watts/4-3/4" 750 watts

Model Options



DERT301-4B*
30"W. Four-Burner
Rangetop



DERT361-5B*
36"W. Five-Burner
Rangetop

FINISH DETAILS FOR DERT MODELS ONLY

- Stainless Steel/Black (SB)
 - Black glass ceramic tops and knob grips.
- Stainless Steel/White (SW)
 - White glass ceramic tops with gray knob grips.
- Brass trim option (BR)—knobs. Brass components have a durable protective coating for maintenance-free normal use.

*Shown throughout with 6"H. backguard. See **Installation Notes & Accessories** for details.

ORDERING INSTRUCTIONS

First specify model number, and then color code (DERT301-4BSS). If ordering optional brass trim, specify code at end (DERT301-4BSSBR).



★ Please see Installation Notes & Accessories for important installation information, including backguard, high-shelf, and island trim.

Dimensions & Specifications

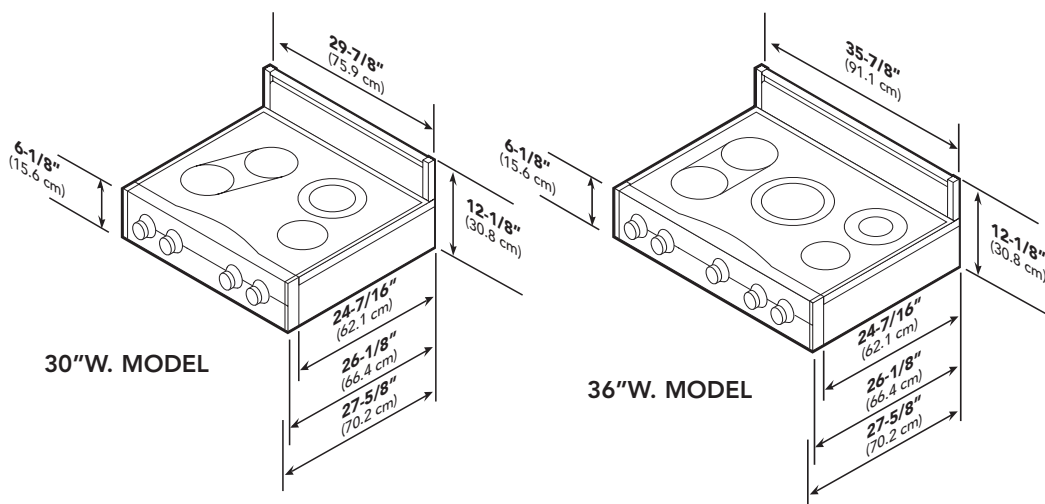
PRODUCT DIMENSIONS



DERT301-4B
30"W. Four-Burner
Rangetop



DERT361-5B
36"W. Five-Burner
Rangetop

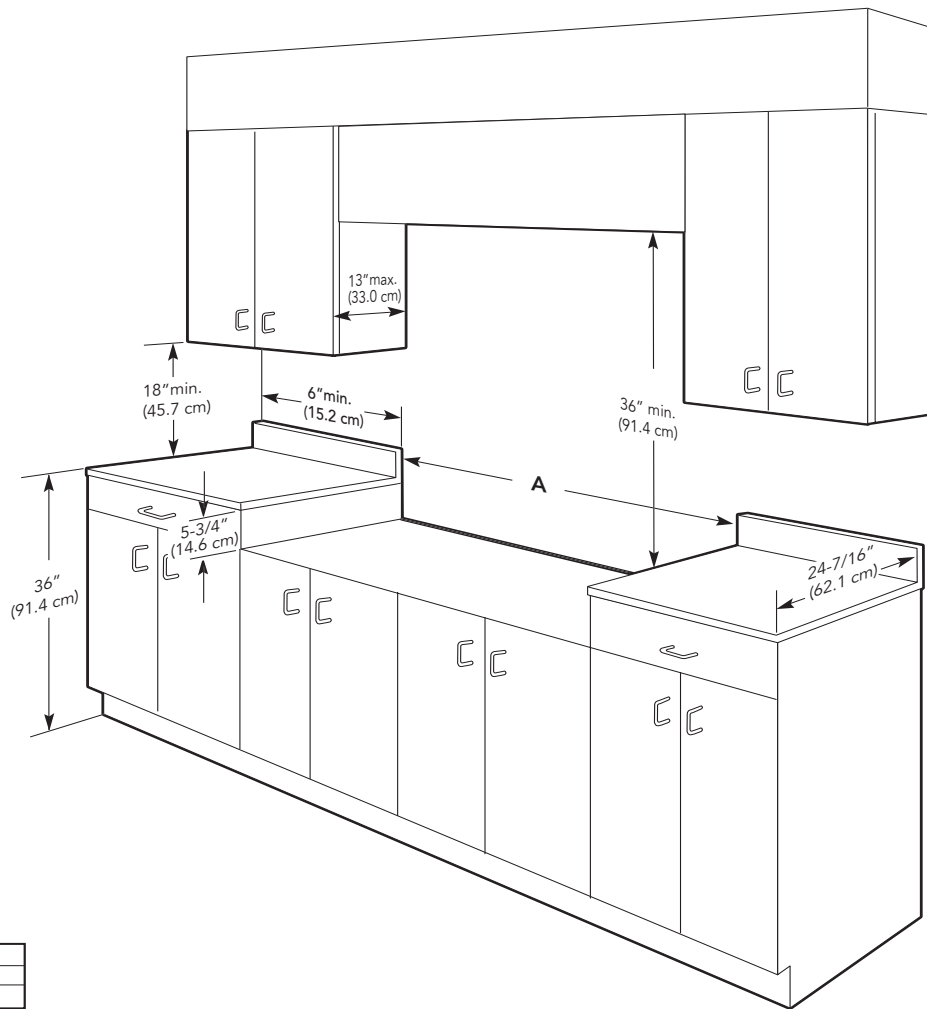


	DERT301-4B	DERT361-5B
Overall width	29-7/8" (75.9 cm)	35-7/8" (91.1 cm)
Overall height (from bottom)		
To top of side trim		6-1/8" (15.6 cm)
To top of island trim		6-1/8" (15.6 cm)
To top of 6" backguard		12-1/8" (30.8 cm)
To top of high shelf		29-5/8" (75.2 cm)
Overall depth (from rear)		
To end of side panel		24-7/16" (62.1 cm)
To end of control panels		26-1/8" (66.35 cm)
To end of knobs		27-5/8" (70.2 cm)



Dimensions & Specifications

CLEARANCE DIMENSIONS



A	
30"	30" (76.2 cm)
36"	36" (91.4 cm)

Minimum clearances from adjacent combustible construction*

- Cooking surface and below, i.e., 36" (91.4 cm) and below
 - o Sides—0"
 - o Rear—0" with backguard or high-shelf; 0" with island trim and non-combustible rear wall; 6" (15.2 cm) with island trim and combustible rear wall.
 - o Top grate support—36" (91.4 cm)
- Above cooking surface, i.e., above 36" (91.4 cm)
 - o Sides—6" (15.2 cm)
 - o Within 6" (15.2 cm) side clearance, wall cabinets no deeper than 13" (33.0 cm) must be minimum 18" (45.7 cm) above cooking surface.
 - o Wall cabinets directly above product must be minimum 36" (91.4 cm) for open top burners above cooking surface.

Do not install two or more units side-by-side.

1. This rangetop may be installed directly adjacent to existing 36" (91.4 cm) high base cabinets. **Important:** The top grate support **must** be 3/8" (0.95 cm) above the adjacent base cabinet countertop.
2. The rangetop **cannot** be installed directly adjacent to sidewalls, tall cabinets, tall appliances, or other side vertical surfaces above 36" (91.4 cm) high. There must be a minimum of 6" (15.2 cm) side clearance from the rangetop to such combustible surfaces above the 36" (91.4 cm) counter height.
3. Within the 6" (15.2 cm) side clearance to combustible vertical surfaces above 36" (91.4 cm), the maximum wall cabinet depth must be 13" (33.0 cm) and wall cabinets within this 6" 15.2

cm) side clearance must be 18" 45.7 cm) above the 36" (91.4 cm) high countertop.

4. Wall cabinets above the rangetop must be a minimum of 36" (91.4 cm) above the rangetop cooking surface for the full width of the rangetop. This minimum height requirement does not apply if a rangehood is installed over the cooking surface.



UTILITY REQUIREMENTS



GAS

- Not applicable



ELECTRICAL

- Electrical connection—40 amp. Three-wire, 240/208V, 60Hz. Unit is equipped with No. 10 ground wire in conduit. Should be fused separately.
- Check your national and local codes regarding this unit.
- Four-foot (121.9 cm) cord included with range; three-wire with ground/three-prong plug
- Maximum amp usage—
 - o DERT 30"
 - o 240V—35.0
 - o 208V—30.3
 - o DERT 36"
 - o 240V—45.0
 - o 208V—40.0



PLUMBING

Not applicable

Installation Requirements

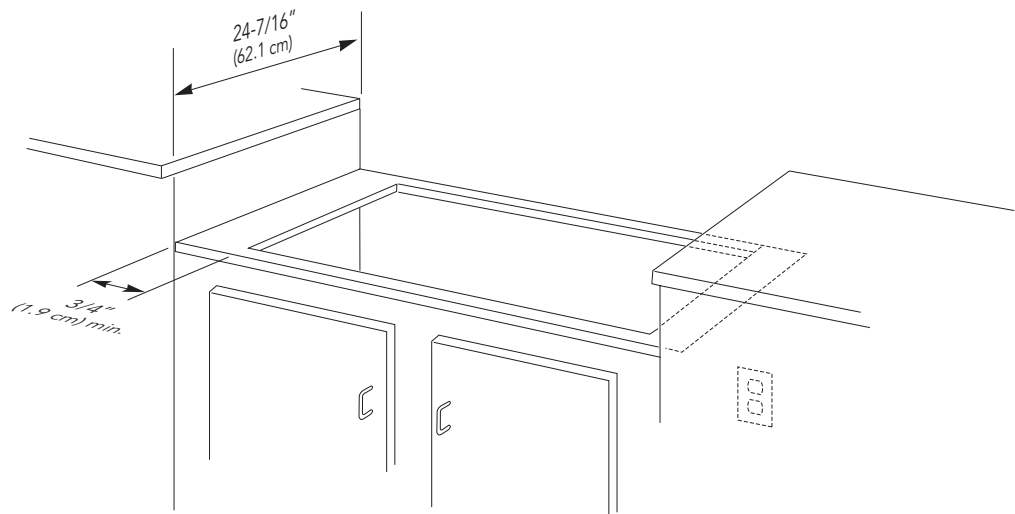
ACCESS REQUIREMENTS



DERT301-4B
30"W. Four-Burner
Rangetop



DERT361-5B
36"W. Five-Burner
Rangetop



	DERT301-4B				DERT361-5B	
Cutout width	30" (76.2 cm)				36" (91.4 cm)	
Cutout height	5-3/4" (14.6 cm)				5-3/4" (14.6 cm)	
Cutout depth	24-7/16" (62.1 cm)					
Surface element rating	<u>240V</u>	<u>208V</u>	<u>240V</u>	<u>208V</u>	<u>240V</u>	<u>208V</u>
Left front	1,800 watts	1,350 watts			1,800 watts	1,350 watts
Bridge			800 watts	600 watts		
Left rear	1,800 watts	1,350 watts			1,800 watts	1,350 watts
Center (dual element)	N/A				2,700/ 1,700 watts	2,025 watts
Right front	1,500 watts	1,125 watts			1,500 watts	1,125 watts
Right rear (dual element)	2,500/ 1,000 watts	1,875 watts			2,200/ 750 watts	1,650 watts



✪ Installation Notes & Accessories

A backguard, high-shelf, or island trim must be used for all installations.

6"H. Backguard

- Stainless Steel (SS)
- Coordinates with all finishes

Model	Description	Approx. ship wt. lbs. (kg)
D30BG6	30"W. backguard	14 (6.3)
D36BG6	36"W. backguard	14 (6.3)

10"H. Backguard

- Stainless Steel (SS)
- Coordinates with all finishes

Model	Description	Approx. ship wt. lbs. (kg)
D36BG10	36"W. backguard	17 (7.7)

High-shelf

- Stainless Steel (SS)
- Coordinates with all finishes
- Shelf comes attached to a 24"H. backguard

Model	Description	Approx. ship wt. lbs. (kg)
D30HS24	30"W. high-shelf	45 (20.3)
D36HS24	36"W. high-shelf	50 (22.5)

Island Trim

- Stainless Steel (SS)
- Coordinates with all finishes
- For island/peninsula installation
- Can replace backguard if wall is non-combustible

Model	Description	Approx. ship wt. lbs. (kg)
D30TII	30"W. island trim	10 (4.5)
D36TII	36"W. island trim	11 (5.0)

Countertop Side Trim

- Stainless Steel (SS)
- Coordinates with all finishes
- Installs on side of unit; overlaps countertop
- One pair of trim

Model	Description	Approx. ship wt. lbs. (kg)
TE24CST	Side trim	2 (0.9)

Compliance Information



WARRANTY INFORMATION*

- One-year full warranty—complete product
- Ten-year limited warranty—all electric elements/oven elements
- Ninety-day limited warranty—cosmetic parts such as glass, painted, and decorative items

* For complete warranty see *Use & Care Guide*. Warranty valid on Viking products shipped within the United States and Canada.

Free Manuals Download Website

<http://myh66.com>

<http://usermanuals.us>

<http://www.somanuals.com>

<http://www.4manuals.cc>

<http://www.manual-lib.com>

<http://www.404manual.com>

<http://www.luxmanual.com>

<http://aubethermostatmanual.com>

Golf course search by state

<http://golfingnear.com>

Email search by domain

<http://emailbydomain.com>

Auto manuals search

<http://auto.somanuals.com>

TV manuals search

<http://tv.somanuals.com>