

Viking Installation Guide



Viking Range Corporation

111 Front Street

Greenwood, Mississippi 38930 USA

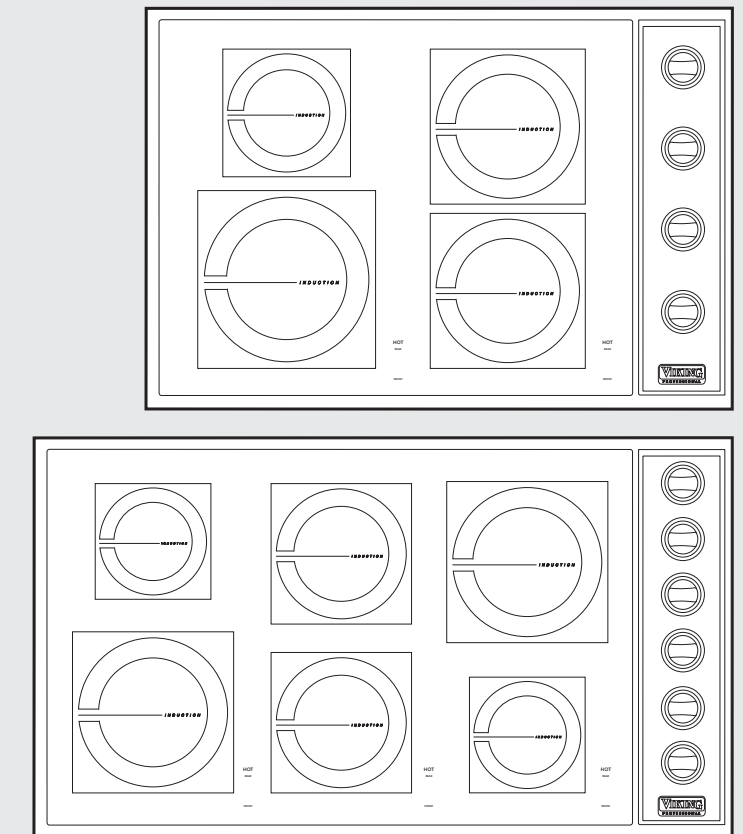
(662) 455-1200

For product information,

call 1-888-VIKING1 (845-4641)

or visit the Viking Web site at

vikingrange.com



Built-In Induction Cooktop

Table of Contents

Warnings & Important Safety Instructions _____	3
Dimensions (30"W.) _____	5
Dimensions (36"W.) _____	5
Specifications _____	6
Cutout Dimensions _____	7
Clearance Dimensions _____	7
Electrical Requirements _____	9
General Information _____	10
Installation _____	10
Final Preparation _____	11
Performance Checklist _____	11
Service & Registration _____	11

IMPORTANT— Please Read and Follow

- Before beginning, please read these instructions completely and carefully.

Your safety and the safety of others is very important.

We have provided many important safety messages in this manual and on your appliance. Always read and obey all safety messages.



This is the safety alert symbol. This symbol alerts you to hazards that can kill or hurt you and others.

All safety messages will be preceded by the safety alert symbol and the word "DANGER," "WARNING" or "CAUTION." These words mean:

⚠ DANGER

Hazards or unsafe practices which WILL result in severe personal injury or death

⚠ WARNING

Hazards or unsafe practices which COULD result in severe personal injury or death

⚠ CAUTION

Hazards or unsafe practices which COULD result in minor personal injury or property damage.

All safety messages will identify the hazard, tell you how to reduce the chance of injury, and tell you what can happen if the instructions are not followed.

- **DO NOT** remove permanently affixed labels, warnings, or plates from the product. This may void the warranty.
- Please observe all local and national codes and ordinances.
- Please ensure that this product is properly grounded.
- The installer must leave these instructions with the consumer who should retain for local inspector's use and for future reference.
- Installation must conform with local codes or, in the absence of codes, the National Electrical Code, ANSI/NFPA 70-latest edition.

In Canada: Electrical installation must be in accordance with the current CSA C22.1 Canadian Electrical Codes Part 1 and/or local codes.

IMPORTANT— Please Read and Follow

Dimensions (30"W. and (36"W.)

⚠ WARNING

BURN HAZARD
 The use of cabinets for storage above the appliance may result in potential burn hazard. Combustible items may ignite, metallic items may become hot and cause burns. If a cabinet storage is to be provided the risk can be reduced by installing a range hood that projects horizontally a minimum of 5" beyond the bottom of the cabinets.

⚠ CAUTION

Be sure the electric power is off from the breaker box to the junction box until the cooktop is installed and ready to operate. The junction box should be connected to a suitable ground.

⚠ WARNING

The electrical power to the unit must be shut off while line connections are being made. Failure to do so could result in serious injury or death.

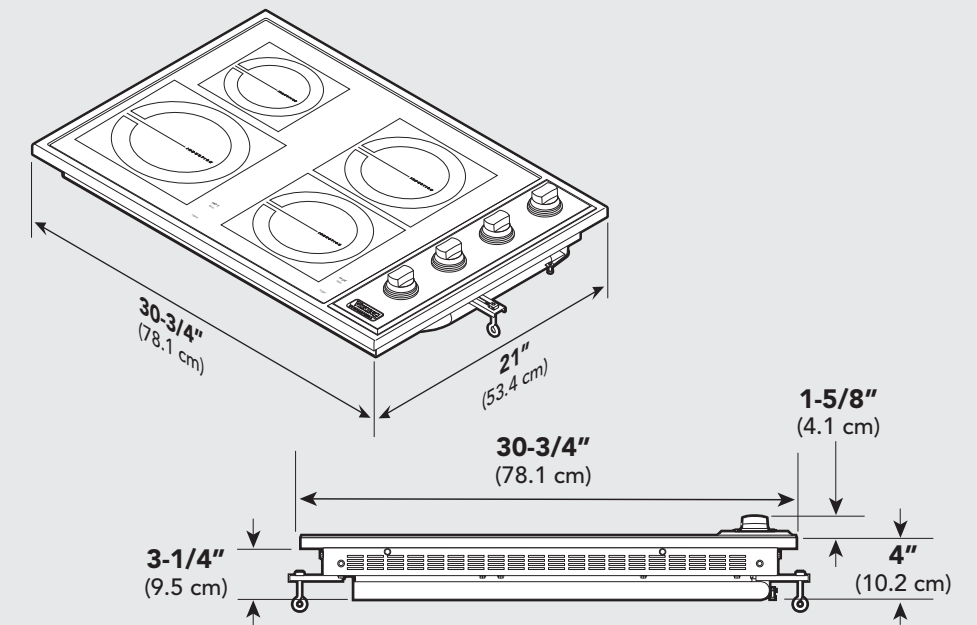
⚠ WARNING

ELECTRICAL GROUNDING INSTRUCTIONS
 This cooktop must be electrically grounded in accordance with local codes or, in the absence of codes, with the National Electrical Code, ANSI/NFPA 70- latest edition. **FOR PERSONAL SAFETY, THIS APPLIANCE MUST BE PROPERLY GROUNDED.**

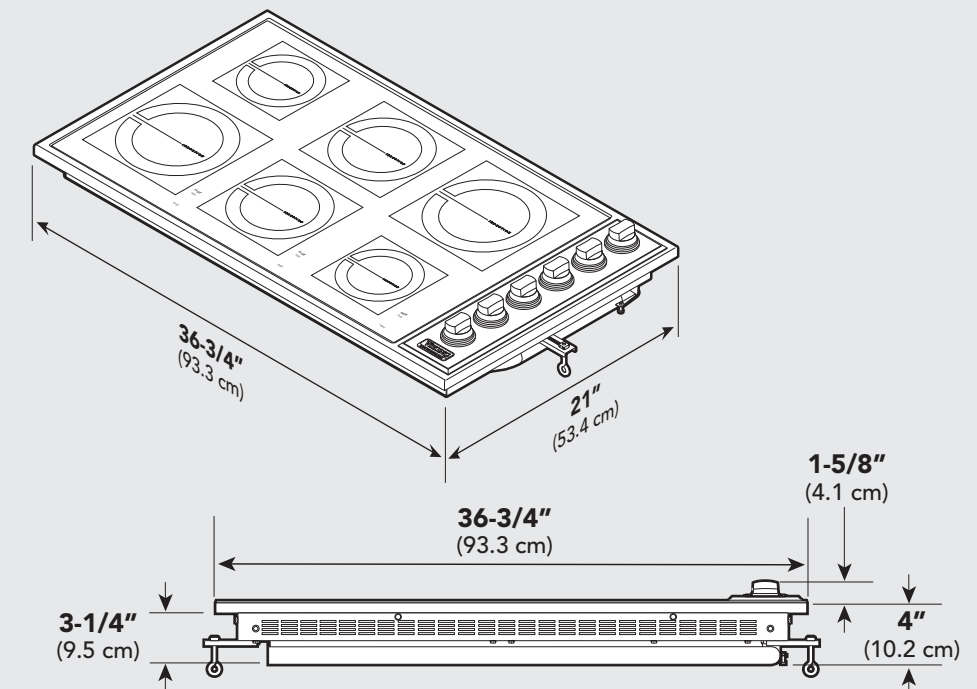
⚠ WARNING

FIRE AND ELECTRICAL SHOCK HAZARD
DO NOT use an extension cord with this appliance. Such use may result in fire, electrical shock, or other personal injury.

Electric 30" Induction Cooktop



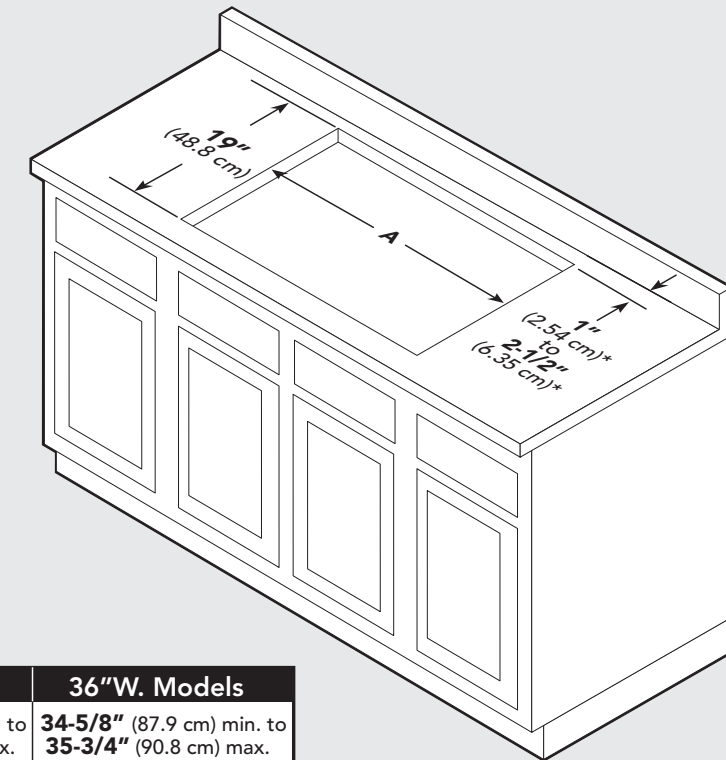
Electric 36" Induction Cooktop



Specifications

Induction Cooktop		
Description	VICU206	VICU266
Overall width	30-3/4" (78.1 cm)	36-3/4" (93.3 cm)
Overall height from bottom	5-5/8" (14.3 cm)	
To top of knobs	4" (10.2 cm)	
To top of cooking surface	3-1/4" (8.3 cm)	
To bottom edge of frame		
Overall depth from rear	21" (53.3 cm)	
Cutout width	28-5/8" (72.7 cm) minimum to 29-3/4" (75.6 cm) maximum	34-5/8" (87.9 cm) minimum to 35-3/4" (90.8 cm) maximum
Cutout depth	19-1/8" (48.6 cm) minimum to 20" (50.8 cm) maximum	
Electrical requirements	240-208/120 VAC; 50/60Hz; factory-installed 4 ft. (121.9 cm) flexible steel conduit 3-wire conduit with a No. 10 ground wire; located on the right rear corner of unit	
Maximum amp usage	240V—30.8 amps (7.4 kw) 208V—30.8 amps (6.4 kw)	240V—46.3 amps (11.1 kw) 208V—46.3 amps (9.6 kw)
Surface element rating		
Right front	1,850 watts	1,400 watts
Right rear	1,850 watts	3,300 watts boost/2,300 watts
Center front	N/A	1,850 watts
Center rear	N/A	1,850 watts
Left front	3,700 watts boost/2,300 watts	3,700 watts boost/2,300 watts
Left rear	1,400 watts	1,400 watts
Approximate shipping weight	52 lb. (23.6 kg)	63 lb. (28.6 kg)

Cutout Dimensions



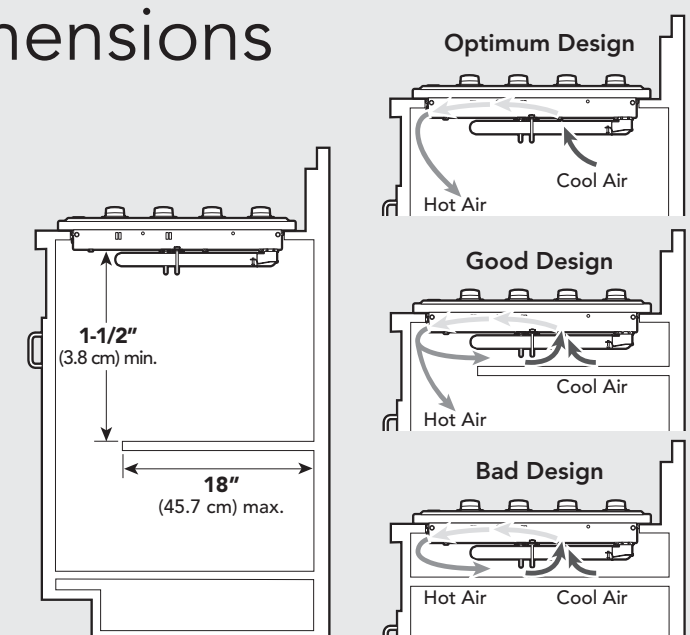
	30"W. Models	36"W. Models
A	28-5/8" (72.7 cm) min. to 29-3/4" (75.6 cm) max.	34-5/8" (87.9 cm) min. to 35-3/4" (90.8 cm) max.

*Note: Based on 24" deep cabinet with 3/4" backsplash.

Clearance Dimensions

Interior Cabinet Clearances

IMPORTANT: The electronic components for the induction elements in the cooktop need air circulation. To ensure long life of electronic components, it is required that 1-1/2 (3.8 cm) or more open space remains between the bottom of the cooktop and any shelf underneath. The maximum length of the shelf underneath is 18" (45.7 cm). It is required that the exit air ports at the front are not blocked.



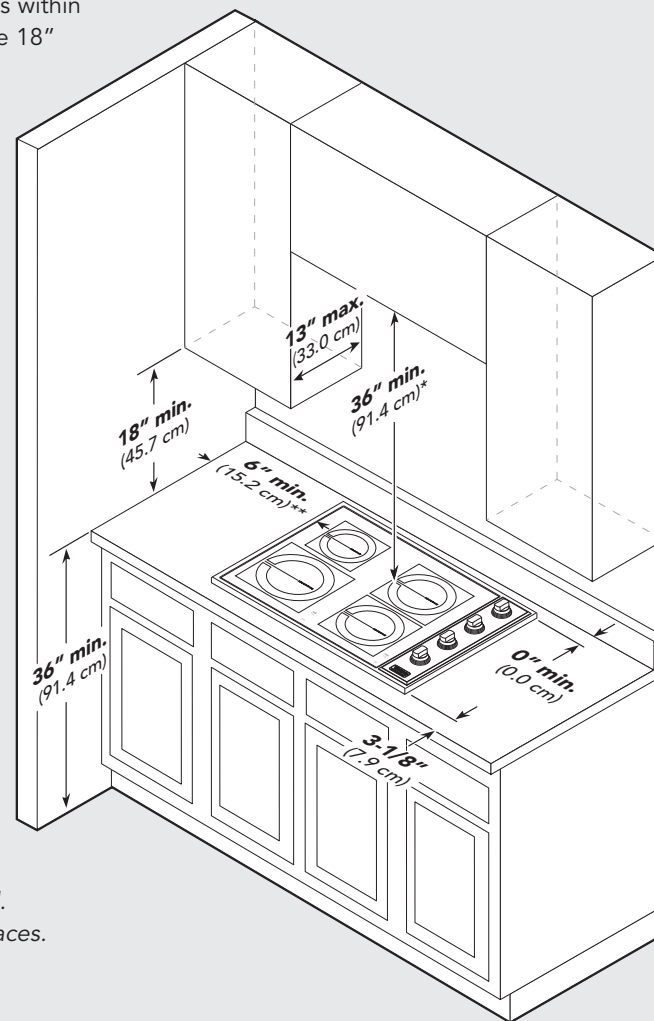
Clearance Dimensions

Proximity to Side Cabinet Installation

- The cooktop may be installed directly to existing base cabinets.
- The cooktop **CANNOT** be installed directly adjacent to sidewalls, tall cabinets, tall appliances, or other side vertical surfaces above 36" (91.4 cm) high. There must be a minimum of 6" (15.2 cm) side clearance from the cooktop to such combustible surfaces above the 36" (91.4 cm) counter height.
- Within the 6" (15.2 cm) side clearance to combustible vertical surfaces above 36" (91.4 cm), the maximum wall cabinet depth must be 13" (33.0 cm) and wall cabinets within this 6" (15.2 cm) side clearance must be 18" (45.7 cm) above the 36" (91.4 cm) high countertop.
- Wall cabinet above the cooktop must be a minimum of 36" (91.4 cm) above the countertop for a full width of the cooktop.

Minimum Clearances from Adjacent Combustible Construction

- Above countertop 36" (91.4 cm) minimum
- Side 6" (15.2 cm)
- Rear 0" (0.0 cm)
- Within 6" side clearance. Wall cabinets no deeper than 13" (33.0 cm)
- Must be minimum 18" (45.7 cm) above countertop
- Wall cabinets directly above the product must be minimum 36" (91.4 cm) above the countertop



Dimensions shown are for use with combustible surfaces unless otherwise stated.

*Note: 36" minimum unless using a hood.

**Note: Only applies to combustible surfaces.

Electrical Requirements

⚠ WARNING

ELECTRICAL GROUNDING INSTRUCTIONS

This cooktop must be electrically grounded in accordance with local codes or, in the absence of codes, with the National Electrical Code, ANSI/NFPA 70-latest edition. **FOR PERSONAL SAFETY, THIS APPLIANCE MUST BE PROPERLY GROUNDED.**

Electrical Requirements

Check your local codes regarding this unit. This cooktop is supplied with a 3-wire, A.C. 208V/120 volt or 120V/240 volt, 60 HZ electrical system. A white (neutral) is not needed for this unit. See next section for grounding instructions. It should be fused separately.

⚠ CAUTION

Be sure the electric power is off from the breaker box to the junction box until the cooktop is installed and ready to operate. The junction box should be connected to a suitable ground.

Refer to the specifications chart for kilowatt rating and recommended amperage. House wiring and fusing must comply with local codes. If no local codes are applicable, wire in accordance with the National Electrical Code, ANSI/NFPA 70-latest edition.

⚠ WARNING

The electrical power to the unit must be shut off while line connections are being made. Failure to do so could result in serious injury or death.

Electrical Connection

When making the wire connections, use the entire length of the conduit provided (3 feet). The conduit must not be cut. Connect the red and black leads from the unit conduit to the corresponding leads in the junction box. The bare ground wire in the conduit is connected to the unit frame. When connecting to a 3-conductor branch circuit, connect the bare ground connector lead of the unit to the branch circuit ground (bare wire or green in color).

⚠ WARNING

FIRE AND ELECTRICAL SHOCK HAZARD

DO NOT use an extension cord with this appliance. Such use may result in fire, electrical shock, or other personal injury.

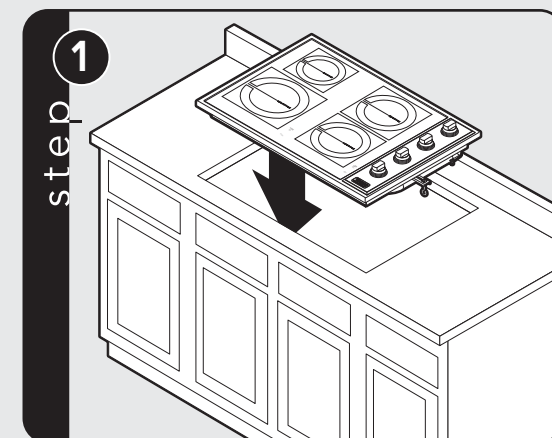
General Information

READ AND FOLLOW ALL WARNING AND CAUTION INFORMATION WHEN INSTALLING THIS APPLIANCE.

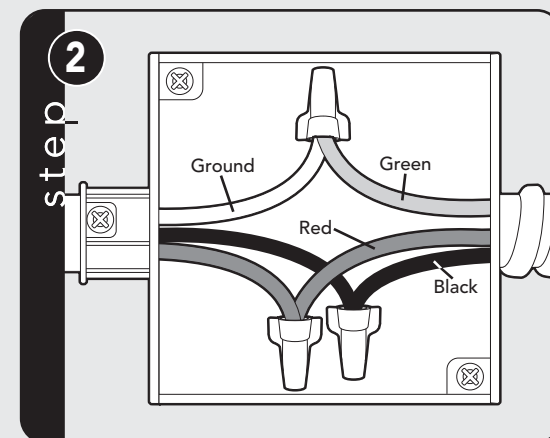
- Keep appliance area clear and free from combustible materials, gasoline and other flammable vapors.
- Disconnect the electrical supply prior to servicing or cleaning.

- When removing the cooktop for service and/or cleaning, disconnect AC power supply.
- Electrical requirements are listed in the product specifications under the "Electrical Requirements" section.

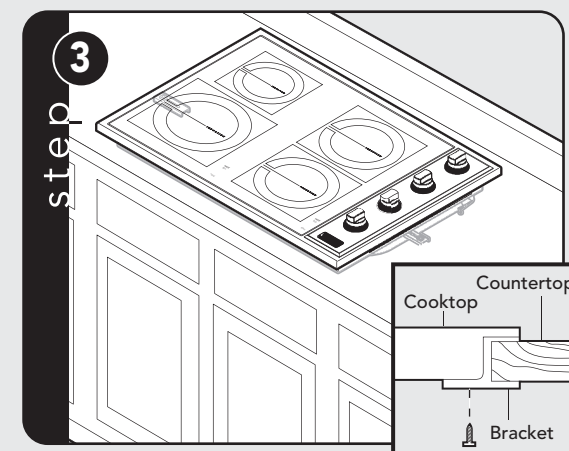
Installation



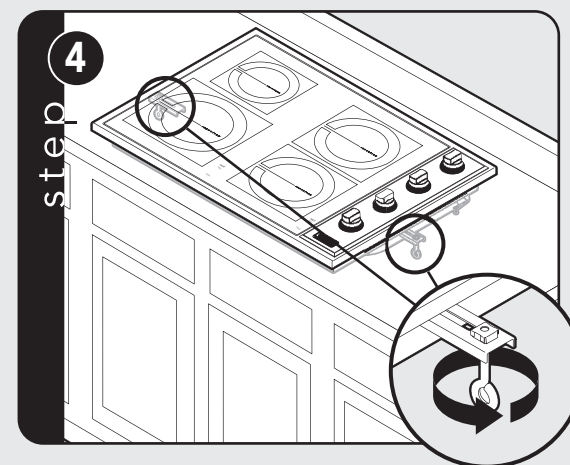
Lower cooktop into cutout.



Connect the red and black leads from the unit conduit to the corresponding leads in the junction box.



Screw brackets to burner box with sheet metal screw. (Two bracket assemblies included)



Screw sheet metal screws into brackets and tighten firmly against bottom of countertop. **Note:** Be careful not to crack or damage counter by overtightening.

Final Preparation

- Some stainless steel parts may have a plastic protective wrap which must be peeled off.
- All stainless steel body parts should be wiped with hot, soapy water and with a liquid cleaner designed for this material. If buildup occurs, **DO NOT** use steel wool, abrasive cloths, cleaners, or powders!
- If it is necessary to scrape stainless steel to remove encrusted materials, soak with hot, wet cloths to loosen the material, then use a wood or nylon scraper. **DO NOT** use a metal knife, spatula, or any other metal tool to scrape stainless steel! Scratches are almost impossible to remove.

Performance Checklist

A qualified installer should carry out the following checks:

- Check top surface elements
 1. Starting with the left front element, turn the corresponding knob to the Hi position—Left front indicator should flash.
 2. Place an induction compatible piece of cookware onto the left front burner—Left front indicator should be solid.
 3. Remove cookware and repeat steps for other elements.

Service & Registration

Only authorized replacement parts may be used in performing service on the cooktop. **DO NOT** repair or replace any part of the appliance unless specifically recommended in the manual. All other servicing should be referred to a qualified technician. Contact Viking Range Corporation, 1-888-VIKING1 (854-4641), for the nearest service parts distributor in your area or write to:

**VIKING RANGE CORPORATION
PREFERRED SERVICE
1803 Hwy 82W
Greenwood, Mississippi 38930 USA**

Cooktop – The serial number and model number for your appliance can be found by looking under the unit. Record the following information indicated below. You will need it if service is ever required.

Model number _____
 Serial number _____
 Date of purchase _____
 Date installed _____
 Dealer's name _____
 Address _____

These installation instructions should remain with the unit for future reference.

Free Manuals Download Website

<http://myh66.com>

<http://usermanuals.us>

<http://www.somanuals.com>

<http://www.4manuals.cc>

<http://www.manual-lib.com>

<http://www.404manual.com>

<http://www.luxmanual.com>

<http://aubethermostatmanual.com>

Golf course search by state

<http://golfingnear.com>

Email search by domain

<http://emailbydomain.com>

Auto manuals search

<http://auto.somanuals.com>

TV manuals search

<http://tv.somanuals.com>