



# Professional Freestanding Dual Fuel Self-Clean 48"W. Open Burner Range

## Standard Features & Accessories

### All models include

- Right oven—large, self-cleaning convection oven
  - o Overall capacity—4.0 cu. ft. (23"W. x 16-1/8"H. x 18-3/4"D.)
  - o AHAM Standard capacity—3.3 cu. ft. (23"W. x 16-1/8"H. x 15-3/8"D.)
  - o Eight functions: two-element bake, convection bake, Mini-Broil, Maxi-Broil, convection broil, TruConvect™ convection cooking (element around fan), convection dehydrate, and convection defrost
  - o Three heavy-duty racks/six rack positions
  - o Two lights
- Left oven—self-cleaning oven
  - o Overall capacity—2.1 cu. ft. (12-1/8"W. x 16-1/8"H. x 18-3/4"D.)
  - o AHAM Standard capacity—2.0 cu. ft. (12-1/8"W. x 16-1/8"H. x 17-1/4"D.)

- o Three functions: two-element bake, broil, proof (separate low-wattage element)
- o Two heavy-duty racks/six rack positions
- o One light
- Drip tray with roller bearing glides and two-quart drip pan
- **Exclusive** VariSimmer™ setting for all burners
- Removable porcelain burner bowls

### 6G models include

- Six 15,000 BTU stainless steel burners with porcelain/cast iron caps and automatic ignition/re-ignition
- 12"W. thermostatically controlled steel griddle/simmer plate

### 6Q models include

- Six 15,000 BTU stainless steel burners with porcelain/cast iron caps and automatic ignition/re-ignition

- 12"W. grill with flavor generator plates and automatic ignition/re-ignition

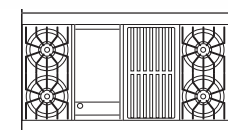
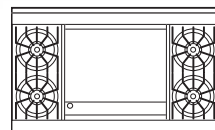
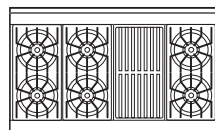
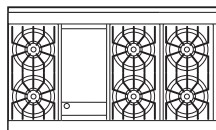
### 4G models include

- Four 15,000 BTU stainless steel burners with porcelain/cast iron caps and automatic ignition/re-ignition
- 24"W. thermostatically controlled steel griddle/simmer plate (separate burner/control for the left and right side)

### 4GQ models include

- Four 15,000 BTU stainless steel burners with porcelain/cast iron caps and automatic ignition/re-ignition
- 12"W. thermostatically controlled steel griddle/simmer plate
- 12"W. grill with flavor generator plates and automatic ignition/re-ignition

## Model Options



**VDSC485-6G\***  
Six-Burner/Griddle Range

**VDSC485-6Q\***  
Six-Burner/Grill Range

**VDSC485-4G\***  
Four-Burner/  
Double Griddle Range

**VDSC485-4GQ\***  
Four-Burner/  
Griddle/Grill Range

### FINISH DETAILS FOR ALL MODELS

- Stainless Steel (SS), Black (BK), White (WH), Metallic Silver (MS), Graphite Gray (GG), Stone Gray (SG), Taupe (TP), Biscuit (BT), Cotton White (CW), Oyster Gray (OG), Golden Mist (GM), Lemonade (LE), Sage (SA), Mint Julep (MJ), Sea Glass (SE), Iridescent Blue (IB), Viking Blue (VB), Pumpkin (PM), Racing Red (RR), Apple Red (AR), Burgundy (BU), Plum (PL), Chocolate (CH), and Cobalt Blue (CB).
- o Finish designates door front, lower front panel, and side panels.

- o Has black porcelain grates, black porcelain burner caps, black porcelain grate supports/burner bowls, and black knobs/switches.
- White (WH)
  - o Finish designates door front, lower front panel, side panels, porcelain grate supports/burner bowls, porcelain center worktop, and knobs/switches.
  - o Has black porcelain grates and black porcelain burner caps.

- All finishes have black porcelain grates, black porcelain burner caps, and black knobs/switches.
- All finishes have stainless steel handle/chrome-plated brackets and stainless steel drip tray pull, control panel, and landing ledge.
- Brass Trim Option (BR)—nameplate, window trim, handle, drip tray pull, knob bezels, thermal-convection switch bezel, and grate support side trim. Brass components have a durable protective coating for maintenance-free normal use.

\*Shown throughout with 6"H. backguard. See **Installation Notes & Accessories** for details.

### ORDERING INSTRUCTIONS

First specify model number, and then color code (VDSC485-6GSS). If ordering optional brass trim, specify code at end (VDSC485-6GSSBR). If ordering optional LP conversion, specify code at end (VDSC485-6GSSBRLP).





**Professional Freestanding Dual Fuel Self-Clean 48"W. Open Burner Range**

★ Please see Installation Notes & Accessories for important installation information including backguard, high-shelf, island trim, and curb base front.



Star-K Kosher Certification for use on the Jewish Sabbath or Jewish holidays

**Dimensions & Specifications**

**PRODUCT DIMENSIONS & DOOR SWING**

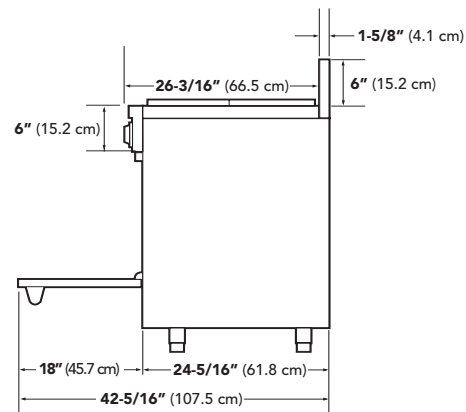
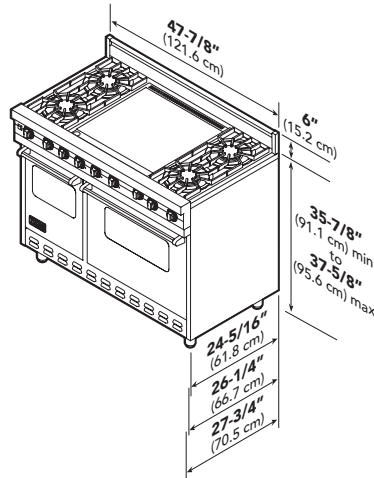


**VDSC485-6G**  
Six-Burner/  
Griddle Range

**VDSC485-6Q**  
Six-Burner/  
Grill Range

**VDSC485-4G**  
Four-Burner/  
Double Griddle Range

**VDSC485-4GQ**  
Four-Burner/  
Griddle/Grill Range



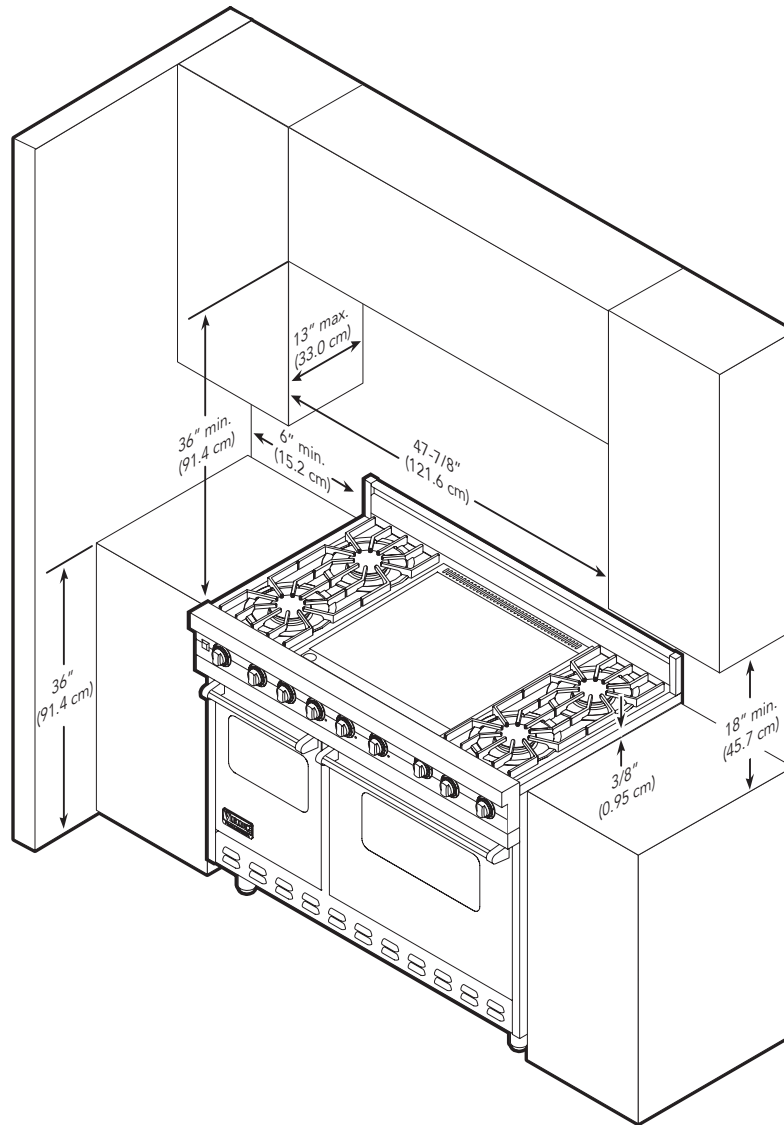
	<b>VDSC485-6G</b>	<b>VDSC485-6Q</b>	<b>VDSC485-4G</b>	<b>VDSC485-4GQ</b>
Overall width	<b>47-7/8" (121.6 cm)</b>			
Overall height	<b>35-7/8" (91.1 cm) min. to 37-5/8" (93.6 cm) max.</b>			
Base height	<b>1-3/4" (4.5 cm)</b>			
To top of grate support	<b>Add 1-1/8" (2.9 cm)</b>			
Legs adjust (with "spindles" fully extended)	<b>Add 1-1/4" (3.2 cm)</b>			
Additions to base height	<b>Add 6" (15.2 cm)</b>			
To top of spider grate	<b>Add 10" (25.4 cm)</b>			
To top of island trim	<b>Add 23-1/2" (59.7 cm)</b>			
To top of 6" backguard				
To top of 10" backguard				
To top of high shelf				
Overall depth (from rear)	<b>24-5/16" (61.8 cm)</b>			
To end of side panel	<b>26-1/4" (66.7 cm)</b>			
To end of control panels	<b>27-3/4" (70.5 cm)</b>			
To end of knobs				
Oven				
Interior width	23" (58.4 cm)	29" (73.7 cm)	29" (73.7 cm)	29" (73.7 cm)
Interior height	<b>16-1/8" (41.0 cm)</b>			
Interior depth	<b>15-3/8" (39.1 cm)</b>			
Overall interior size	3.3 cu. ft.	4.2 cu. ft.	4.2 cu. ft.	4.2 cu. ft.
Interior width				
Right	<b>23" (58.4 cm)</b>			
Left	<b>12-1/8" (30.8 cm)</b>			
Interior height				
Both	<b>16-1/8" (41.0 cm)</b>			
Interior depth				
Right	<b>15-3/8" (39.1 cm)</b>			
Left	<b>17-1/4" (43.8 cm)</b>			
Overall interior size				
Right	<b>3.3 cu. ft.</b>			
Left	<b>2.0 cu. ft.</b>			





### Dimensions & Specifications

#### CLEARANCE DIMENSIONS



#### Minimum clearances from adjacent combustible construction

- Cooking surface and below, i.e., 36" (91.4 cm) and below
  - o Sides—0"
  - o Rear—0" with backguard or high shelf; 0" with island trim and non-combustible rear wall; 6" (15.2 cm) with island trim and combustible rear wall.
  - o Top grate support—36" (91.4 cm)
- Above cooking surface, i.e., above 36" (91.4 cm)
  - o Sides—6" (15.2 cm)
  - o Within 6" (15.2 cm) side clearance, wall cabinets no deeper than 13" (33.0 cm) must be minimum 18" (45.7 cm) above cooking surface.
  - o Wall cabinets directly above product

must be minimum 36" (91.4 cm) for open top burners above cooking surface

- Use range only with factory supplied legs

1. This range may be installed directly adjacent to existing 36" (91.4 cm) high base cabinets. **Important:** The top grate support **must** be 3/8" (0.95 cm) above the adjacent base cabinet countertop. This may be accomplished by raising the unit using the adjustment spindles on the legs.
2. The range **cannot** be installed directly adjacent to sidewalls, tall cabinets, tall appliances, or other side vertical surfaces above 36" (91.4 cm) high. There must be a minimum of

6" (15.2 cm) side clearance from the range to such combustible surfaces above the 36" (91.4 cm) counter height.

3. Within the 6" (15.2 cm) side clearance to combustible vertical surfaces above 36" (91.4 cm), the maximum wall cabinet depth must be 13" (33.0 cm) and wall cabinets within this 6" (15.2 cm) side clearance must be 18" (45.7 cm) above the 36" (91.4 cm) high countertop.
4. Wall cabinets above the range must be a minimum of 36" (91.4 cm) above the range cooking surface for the full width of the range. This minimum height requirement does not apply if a rangehood is installed over the cooking surface.



# Professional Freestanding Dual Fuel Self-Clean 48"W. Open Burner Range



## Installation Requirements

### ACCESS REQUIREMENTS

#### UTILITY REQUIREMENTS



#### GAS

- Shipped natural gas standard; field convert to LP/propane with optional accessory kit or order as LP by adding LP after color code
- Accepts standard residential 1/2" (1.3 cm) ID gas service line
- Gas manifold pressure
- Natural gas 5.0" W.C.P.
- LP/Propane 10.0" W.C.P.

with locally supplied, flexible cord rated 40 amp; 125/250V min.; must be agency-approved for use with household electric ranges

- Maximum amp usage—
  - o 6G
    - 240V—8914 watts; 37.1 amps
    - 208V—6994 watts; 33.6 amps
  - o 6Q
    - 240V—8050 watts; 33.5 amps
    - 208V—6245 watts; 30.0 amps
  - o 4G
    - 240V—8878 watts; 37.0 amps
    - 208V—6963 watts; 33.5 amps

o 4GQ

- 240V—8914 watts; 37.1 amps
- 208V—6994 watts; 33.6 amps



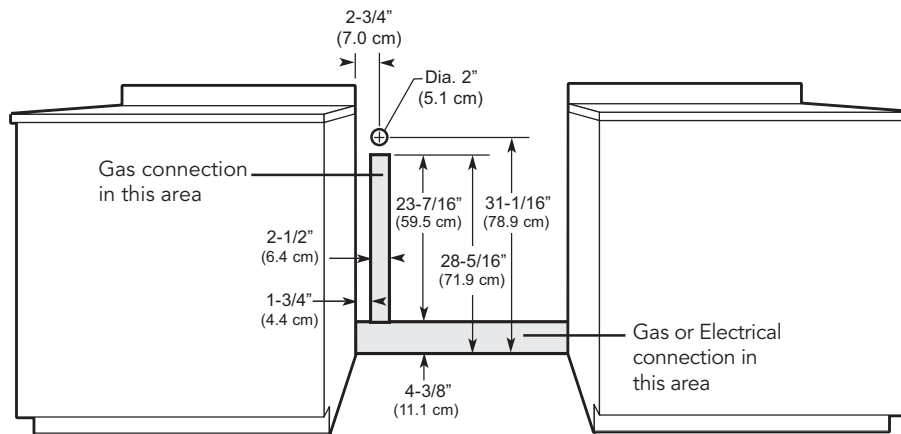
#### ELECTRICAL

- Electrical connection box on product for hardwire direct; connect



#### PLUMBING

Not applicable



	VDSC485-6G	VDSC485-6Q	VDSC485-4G	VDSC485-4GQ
Surface burner rating				
Four grated burners (each)			15,000 BTU Nat. (4.4 kW)/ 13,500 BTU LP (4.0 kW)	15,000 BTU Nat. (4.4 kW)/ 13,500 BTU LP (4.0 kW)
Six grated burners (each)	15,000 BTU Nat. (4.4 kW)/ 13,500 BTU LP (4.0 kW)	15,000 BTU Nat. (4.4 kW)/ 13,500 BTU LP (4.0 kW)		
Two griddles (each)			15,000 BTU Nat. (4.4 kW)/ 13,500 BTU LP (4.0 kW)	
One griddle	15,000 BTU Nat. (4.4 kW)/ 13,500 BTU LP (4.0 kW)			15,000 BTU Nat. (4.4 kW)/ 13,500 BTU LP (4.0 kW)
One grill		18,000 BTU Nat. (5.3 kW)/ 16,000 BTU LP (4.7 kW)		18,000 BTU Nat. (5.3 kW)/ 16,000 BTU LP (4.7 kW)
Preheat rating				
Right			<b>240V—6,000 watts</b> <b>208V—4,530 watts</b>	
Broil burner rating				
Maxi-Broil—8-pass			<b>240V—3,000 watts</b> <b>208V—2,250 watts</b>	
Mini-Broil—4-pass			<b>240V—1,250 watts</b> <b>208V—940 watts</b>	
Bake burner rating (partial power from broil element)				
Right			<b>240V—2,935 watts</b> <b>208V—2,247 watts</b>	
Left			<b>240V—1,932 watts</b> <b>208V—1,494 watts</b>	
TruConvec rating			<b>240V—2,200 watts</b> <b>208V—1,650 watts</b>	





# Professional Freestanding Dual Fuel Self-Clean 48"W. Open Burner Range



## ✦ Installation Notes & Accessories

A backguard, high-shelf, or island trim must be used for all installations.

### 6"H. Backguard

- Stainless Steel (SS)
- Coordinates with all finishes
- Included (and shipped) automatically with 30"W. ranges, but not with 36"W. ranges.

Model	Description	Approx. ship wt. lbs. (kg)
T48BG6	48"W. backguard	24 (10.8)

### 10"H. Backguard

- Stainless Steel (SS)
- Coordinates with all finishes

Model	Description	Approx. ship wt. lbs. (kg)
T48BG10	48"W. backguard	27 (12.2)

### High-shelf

- Stainless Steel (SS)
- Coordinates with all finishes
- Shelf comes attached to a 24"H. backguard

Model	Description	Approx. ship wt. lbs. (kg)
T48HS24	48"W. high-shelf	60 (27.0)

### Island Trim

- Stainless Steel (SS)
- Coordinates with all finishes
- For island/peninsula installation
- Can replace backguard if wall is non-combustible

Model	Description	Approx. ship wt. lbs. (kg)
T48TI	48"W. island trim	15 (6.8)

### Countertop Side Trim

- Stainless Steel (SS)
- Coordinates with all finishes
- One pair of trim
- Installs on side of unit; overlaps countertop

Model	Description	Approx. ship wt. lbs. (kg)
R24CST	24"D. side trim	2 (0.9)





# COOKING

## Professional Freestanding Dual Fuel Self-Clean 48"W. Open Burner Range



### ✦ Installation Notes & Accessories

#### Curb Base Front

- Stainless Steel (SS)
- Coordinates with all finishes
- Attach locally supplied trim
- Conceals range legs
- Completely assembled
- Easily clips onto range legs after range is installed

#### Custom Curb Base Front

- Remove stainless steel front and recycle
- Front only
- Conceals range legs
- Completely assembled
- Easily clips onto range legs after range is installed
- Provides drop-in range look

Model	Description	Approx. ship wt. lbs. (kg)
RS48CBF4	48"W. curb base front	11 (5.0)

#### LP/Propane Conversion Kit

- Allows for field conversion of range from natural gas to LP

Model	Description	Approx. ship wt. lbs. (kg)
LPKRR	Natural to LP/propane conversion kit	2 (0.9)

### Compliance Information



### WARRANTY INFORMATION\*

- One-year full warranty—complete product
- Ten-year limited warranty—porcelain oven and porcelain inner door panel
- Five-year limited warranty—surface burners, griddle burners, grill burners, and oven burner
- Ninety-day limited warranty—cosmetic parts such as glass, painted, and decorative items

\* For complete warranty see *Use & Care Guide*. Warranty valid on Viking products shipped within the United States and Canada.



## Free Manuals Download Website

<http://myh66.com>

<http://usermanuals.us>

<http://www.somanuals.com>

<http://www.4manuals.cc>

<http://www.manual-lib.com>

<http://www.404manual.com>

<http://www.luxmanual.com>

<http://aubethermostatmanual.com>

Golf course search by state

<http://golfingnear.com>

Email search by domain

<http://emailbydomain.com>

Auto manuals search

<http://auto.somanuals.com>

TV manuals search

<http://tv.somanuals.com>