



Professional Built-In Electric Radiant 30"/36"W. Glass Ceramic Cooktop

Standard Features & Accessories

All models include

- Dimensioned to fit the majority of similarly sized cooktop cutouts
- Updated commercial-type styling incorporates refined detailing
- QuickCook™ surface elements utilize ribbon element technology to reach full power in about 3 seconds
- Strong, wear-resistant glass ceramic top offers excellent cleanability
- Metal knobs with childproof, push-to-turn safety feature

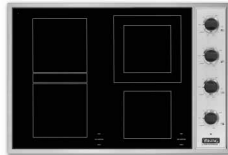
4B model includes

- Four elements
 - Left front—7" 1,800 watts
 - Bridge—800 watts
 - Left rear—7" 1,800 watts
 - Bridge—800 watts
 - Right front—6-1/2" 1,500 watts
 - Right rear (dual element)—9" 2,500 watts – 6" 1,000 watts

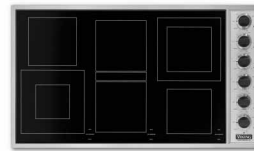
6B model includes

- Six elements
 - Left front (dual element)—8-1/4" 2,200 watts – 4-3/4" 750 watts
 - Left rear—6-1/2" 1,500 watts
 - Center front—7" 1,800 watts
 - Center rear—7" 1,800 watts
 - Bridge—800 watts
 - Right front—6" 1,200 watts
 - Right rear (dual element)—9" 2,500 watts – 6" 1,000 watts

Model Options



VECU106-4B
30"W. Four-Element Cooktop



VECU166-6B
36"W. Six-Element Cooktop

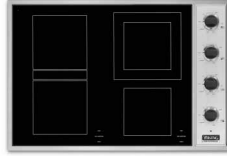
FINISH DETAILS FOR BOTH MODELS*

- Stainless Steel/Black (SB)
 - Stainless steel trim/frame and control panel.
 - Black glass and knobs.
- Stainless Steel/White (SW)
 - Stainless steel trim/frame and control panel.
 - White glass and knobs.
- Brass Trim Option (BR)—nameplate, control panel frame, and knob bezels. Brass components have a durable protective coating for maintenance-free normal use.

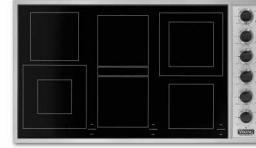
ORDERING INSTRUCTIONS

First specify model number, and then color code (VECU106-4BSS). If ordering optional brass trim, specify code at end (VECU106-4BSSBR).

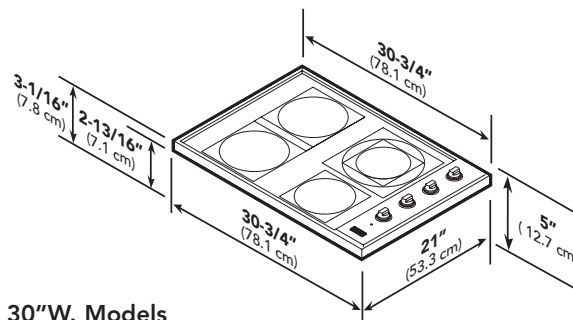



**Professional Built-In Electric Radiant
30"/36"W. Glass Ceramic Cooktop**
Dimensions & Specifications
OVERALL PRODUCT DIMENSIONS


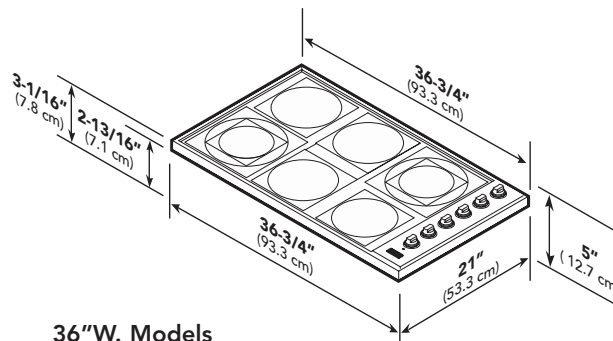
VECU106-4B
30"W. Four-Element
Cooktop



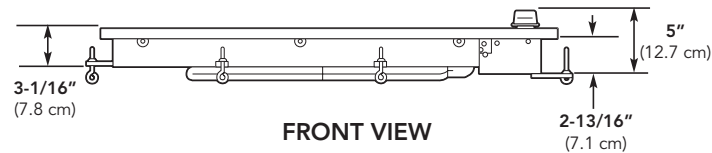
VECU166-6B
36"W. Six-Element
Cooktop



30"W. Models



36"W. Models



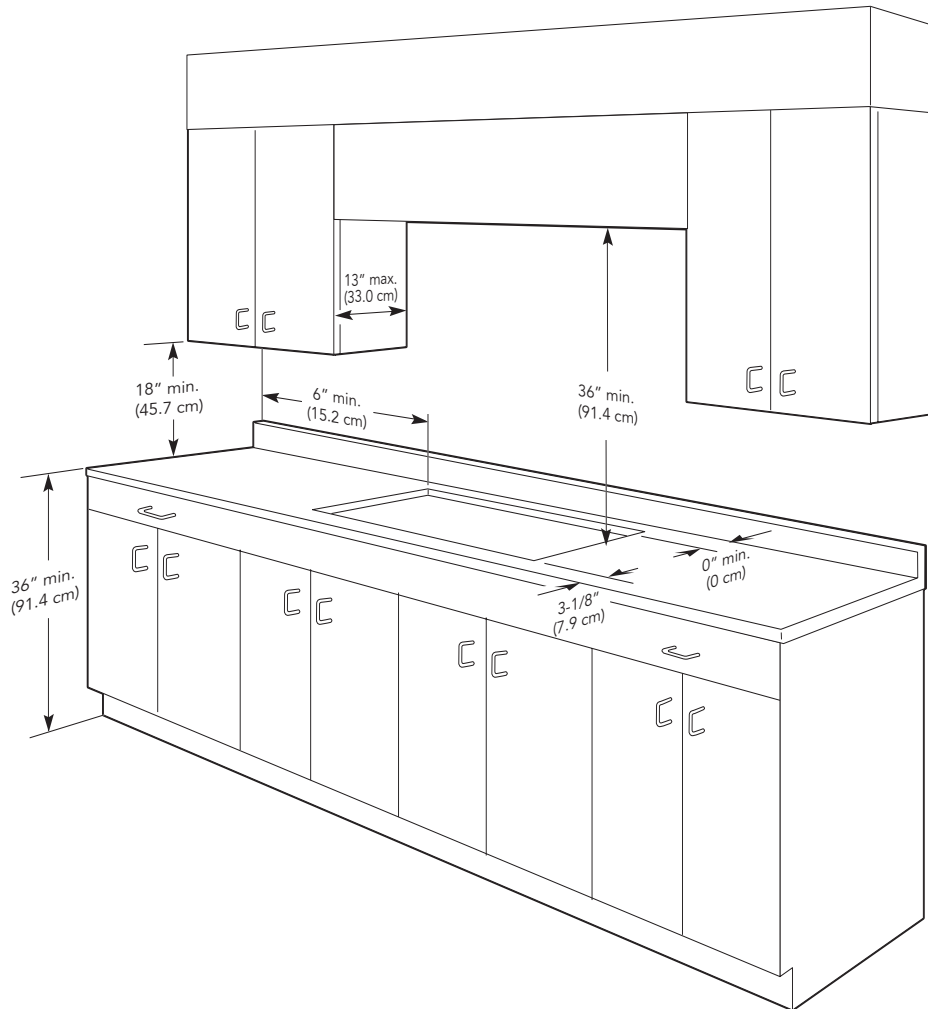
FRONT VIEW

	VECU106-4B	VECU166-6B
Overall width	30-3/4" (78.1 cm)	36-3/4" (93.3 cm)
Overall height (from bottom)		
To top of knobs		5" (12.7 cm)
To top of cooking surface		3-1/16" (7.8 cm)
To bottom edge of frame		2-13/16" (7.1 cm)
Overall depth (from rear)		21" (53.3 cm)



Dimensions & Specifications

CLEARANCE DIMENSIONS



Minimum clearances from adjacent combustible construction

- Above countertop (36" [91.4 cm])
- Sides—6" (15.2 cm)
- Rear—0" (0 cm)
- Within 8" (20.3 cm) side clearance; wall cabinets no deeper than 13" (33.0 cm)
- Must be minimum 18" (45.7 cm) above countertop
- Wall cabinets directly above cooktop must be minimum 36" (91.4 cm) above the countertop.

1. The cooktop may be installed directly to existing base cabinets.
2. The cooktop **cannot** be installed directly adjacent to sidewalls, tall cabinets, tall appliances, or other side vertical surfaces above 36" (91.4 cm) high. There must be a minimum of 6" (15.2 cm) side clearance from the

3. Within the 6" (15.2 cm) side clearance to combustible vertical surfaces above 36" (91.4 cm), the maximum wall cabinet depth must be 13" (33.0 cm) and wall cabinets within this 6" (15.2 cm) side clearance must be 18" (45.7 cm) above the 36" (91.4 cm) high countertop.
4. Wall cabinet above the cooktop must be a minimum of 36" (91.4 cm) above the countertop for a full width of the cooktop. This minimum height requirement does **not** apply if a hood is installed over the cooking surface.
5. A 120-volt wall receptacle should be located approximately 6" (15.2 cm) below the countertop cutout and 12" (30.5 cm) from the right side of the cutout.

The bottom of the hood should be 30" (76.2 cm) min. to 36" (91.4 cm) above the countertop. This would typically result in the bottom of the hood being 66" (167.6 cm) to 72" (182.9 cm) above the floor. Refer to the hood installation instructions for further information.

Warning

The use of cabinets for storage above the appliance may result in a potential burn hazard. If a cabinet storage is to be provided the risk can be reduced by installing a hood that projects horizontally a minimum of 5" (12.7 cm) beyond the bottom of the cabinets.



UTILITY REQUIREMENTS



GAS

- Not applicable



ELECTRICAL

- 4-foot (121.9 cm) cord included with cooktop
- 3-wire with ground/three-prong plug
- 240-208/120V Hz
- Maximum amp usage—(240V/208V)
 - o 4B—35.0/30.3
 - o 6B—49.2/42.6
- Do not use an extension cord with this appliance.

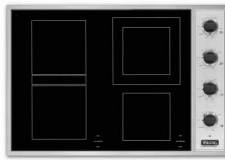


PLUMBING

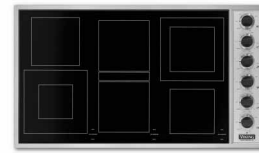
Not applicable

Installation Requirements

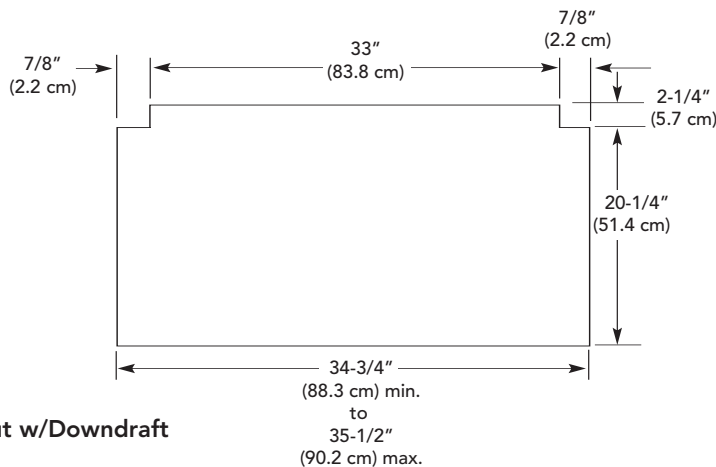
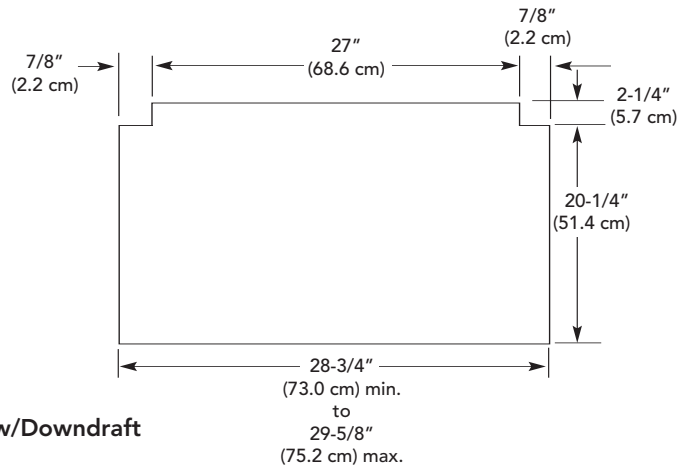
ACCESS REQUIREMENTS



VECU106-4B 30"W. Four-Element Cooktop



VECU166-6B 36"W. Six-Element Cooktop



	VECU106-4B		VECU166-6B	
Cutout width	28-3/4" (73.0 cm) min. to 29-5/8" (75.2 cm) max.		34-3/4" (88.3 cm) min. to 35-1/2" (90.2 cm) max.	
Cutout height	3-1/8" (7.9 cm) min.			
Cutout depth	19-1/8" (48.6 cm) min. to 19-7/8" (50.5cm) max.			
Surface burner rating	240V	208V	240V	208V
Right front	1,500 watts	1,125 watts	1,200 watts	900 watts
Right rear (dual element)	2,500/ 1000 watts	1,875/ 750 watts	2,500/ 1,000 watts	1,875/ 750 watts
Bridge	800 watts	600 watts	800 watts	600 watts
Left front (single element)	1,800 watts	1,350 watts	N/A	
Left front (dual element)	N/A		2,200/ 750 watts	1,650/ 565 watts
Left rear	1,800 watts	1,350 watts	1,500 watts	1,125 watts
Center front	N/A		1,800 watts	1,350 watts
Center rear	N/A		1,800 watts	1,350 watts





COOKING

Professional Built-In Electric Radiant 30"/36"W. Glass Ceramic Cooktop



Compliance Information



WARRANTY INFORMATION*

- One-year full warranty—complete product
- Five-year limited warranty—surface burners and electric elements
- Ninety-day limited warranty—cosmetic parts such as glass, painted, and decorative items

* For complete warranty see *Use & Care Guide*. Warranty valid on Viking products shipped within the United States and Canada.



Free Manuals Download Website

<http://myh66.com>

<http://usermanuals.us>

<http://www.somanuals.com>

<http://www.4manuals.cc>

<http://www.manual-lib.com>

<http://www.404manual.com>

<http://www.luxmanual.com>

<http://aubethermostatmanual.com>

Golf course search by state

<http://golfingnear.com>

Email search by domain

<http://emailbydomain.com>

Auto manuals search

<http://auto.somanuals.com>

TV manuals search

<http://tv.somanuals.com>