



Professional Freestanding Gas 48"W. Commercial Depth Open Burner Range

Standard Features & Accessories

All models include

- Right oven—convection bake/broil
 - Overall capacity—4.2 cu. ft. (24-1/8"W. x 14-1/8"H. x 21-1/4"D.)
 - AHAM Standard capacity—3.8 cu. ft. (24-1/8"W. x 14-1/8"H. x 19-1/4"D.)
 - **Exclusive** combination of dual bake burners and infrared broil burner, all with automatic ignition
 - Six functions—natural airflow bake, convection bake, infrared broil, convection infrared broil, convection dehydrate, and convection defrost
 - Three heavy-duty racks/five rack positions
 - Two lights
- Left oven—bake, with auto. ignition
 - Overall capacity—2.3 cu. ft. (13-3/8"W. x 14-1/8"H. x 21-1/4"D.)
- AHAM Standard capacity—2.3 cu. ft. (13-3/8"W. x 14-1/8"H. x 21-1/4"D.)
- Two heavy-duty racks/five rack positions
- **Exclusive VariSimmer™** setting for all burners
- Removable porcelain burner bowls
- Drip tray with roller bearing glides and two-quart drip pan
 - Standard kickspace height

- automatic ignition/re-ignition
- 12"W. grill with flavor generator plates and automatic ignition/re-ignition

4GD models include

- Four 15,000 BTU stainless steel burners with porcelain/cast iron caps and automatic ignition/re-ignition
- 24"W. thermostatically controlled steel griddle/simmer plate (separate burner/control for the left and right side)

4GQD models include

- Four 15,000 BTU stainless steel burners with porcelain/cast iron caps and automatic ignition/re-ignition
- 12"W. thermostatically controlled steel griddle/simmer plate
- 12"W. grill with flavor generator plates and automatic ignition/re-ignition

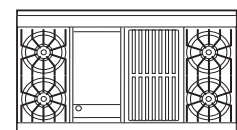
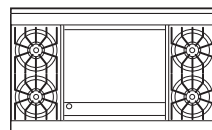
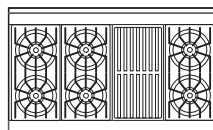
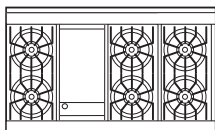
6GD models include

- Six 15,000 BTU stainless steel burners with porcelain/cast iron caps and automatic ignition/re-ignition
- 12"W. thermostatically controlled steel griddle/simmer plate

6QD models include

- Six 15,000 BTU stainless steel burners with porcelain/cast iron caps and

Model Options



VGRC485-6GD*
Six-Burner/Griddle Range

VGRC485-6QD*
Six-Burner/Grill Range

VGRC485-4GD*
Four-Burner/
Double Griddle Range

VGRC485-4GQD*
Four-Burner/
Griddle/Grill Range

FINISH DETAILS FOR ALL MODELS

- Stainless Steel (SS), Black (BK), White (WH), Metallic Silver (MS), Graphite Gray (GG), Stone Gray (SG), Taupe (TP), Biscuit (BT), Cotton White (CW), Oyster Gray (OG), Golden Mist (GM), Lemonade (LE), Sage (SA), Mint Julep (MJ), Sea Glass (SE), Iridescent Blue (IB), Viking Blue (VB), Pumpkin (PM), Racing Red (RR), Apple Red (AR), Burgundy (BU), Plum (PL), Chocolate (CH), and Cobalt Blue (CB).
 - Finish designates door front, lower front panel, and side panels.
- Has black porcelain grates, black porcelain burner caps, black porcelain grate supports/burner bowls, and black knobs/switches.
- White (WH)
 - Finish designates door front, lower front panel, side panels, porcelain grate supports/burner bowls, porcelain center worktop, and knobs/switches.
 - Has black porcelain grates and black porcelain burner caps.
- All finishes have stainless steel handles/chrome-plated brackets and stainless steel drip tray pull, control panel, and landing ledge.
- Brass Trim Option (BR)—nameplate, window trim, handle, drip tray pull, knob bezels, thermal-convection switch bezel, and grate support side trim. Brass components have a durable protective coating for maintenance-free normal use.

*Shown throughout with 6"H. backguard. See **Installation Notes & Accessories** for details.

ORDERING INSTRUCTIONS

First specify model number, and then color code (VGRC485-6GDSS). If ordering optional brass trim, specify code at end (VGRC485-6GDSSBR). If ordering optional LP conversion, specify code at end (VGRC485-6GDSSBRLP).





**Professional Freestanding Gas 48"W.
Commercial Depth Open Burner Range**

Dimensions & Specifications

PRODUCT DIMENSIONS & DOOR SWING



VGRC485-6GD
Six-Burner/
Griddle Range



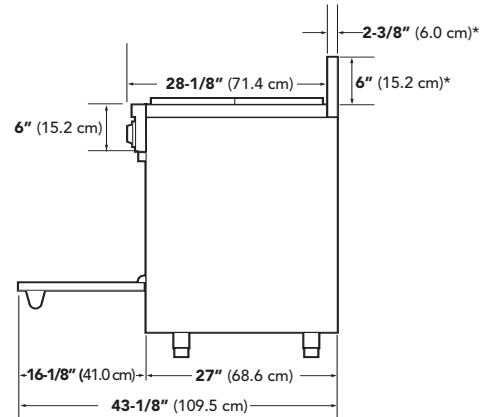
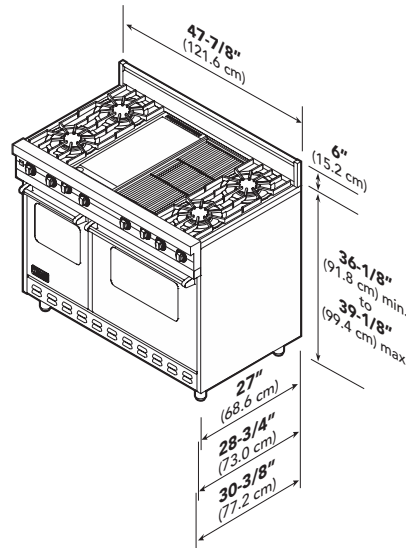
VGRC485-6QD
Six-Burner/
Grill Range



VGRC485-4GD
Four-Burner/
Double Griddle
Range



VGRC485-4QD
Four-Burner/
Griddle/Grill
Range



★ Please see Installation Notes & Accessories for important installation information including backguard, high-shelf, island trim, and curb base front.



Star-K Kosher Certification for use on the Jewish Sabbath or Jewish holidays

All models

Overall width	47-7/8" (121.6 cm)
Overall height	
Base height	
To top of grate support	36-1/8" (91.8 cm) min. to 39-1/8" (99.4 cm) max.
Legs adjust (with "spindles" fully extended)	3" (7.6 cm)
Additions to base height	
To top of grate	Add 1-1/8" (2.9 cm)
To top of island trim	Add 1-1/4" (3.2 cm)
To top of 6" backguard	Add 6" (15.2 cm)
To top of 10" backguard	Add 10" (25.4 cm)
To top of high shelf	Add 23-1/2" (59.7 cm)
Overall depth (from rear)	
To end of side panel	27" (68.6 cm)
To end of control panels	28-3/4" (73.0 cm)
To end of knobs	30-3/8" (77.2 cm)
Oven	
Interior width	
Right	24-1/8" (61.3 cm)
Left	13-3/8" (34.0 cm)
Interior height	
Both	14-1/8" (35.9 cm)
Interior depth	
Right	19-1/4" (48.9 cm)
Left	21-1/4" (54.0 cm)
Overall interior size	
Right	3.8 cu. ft.
Left	2.3 cu. ft.

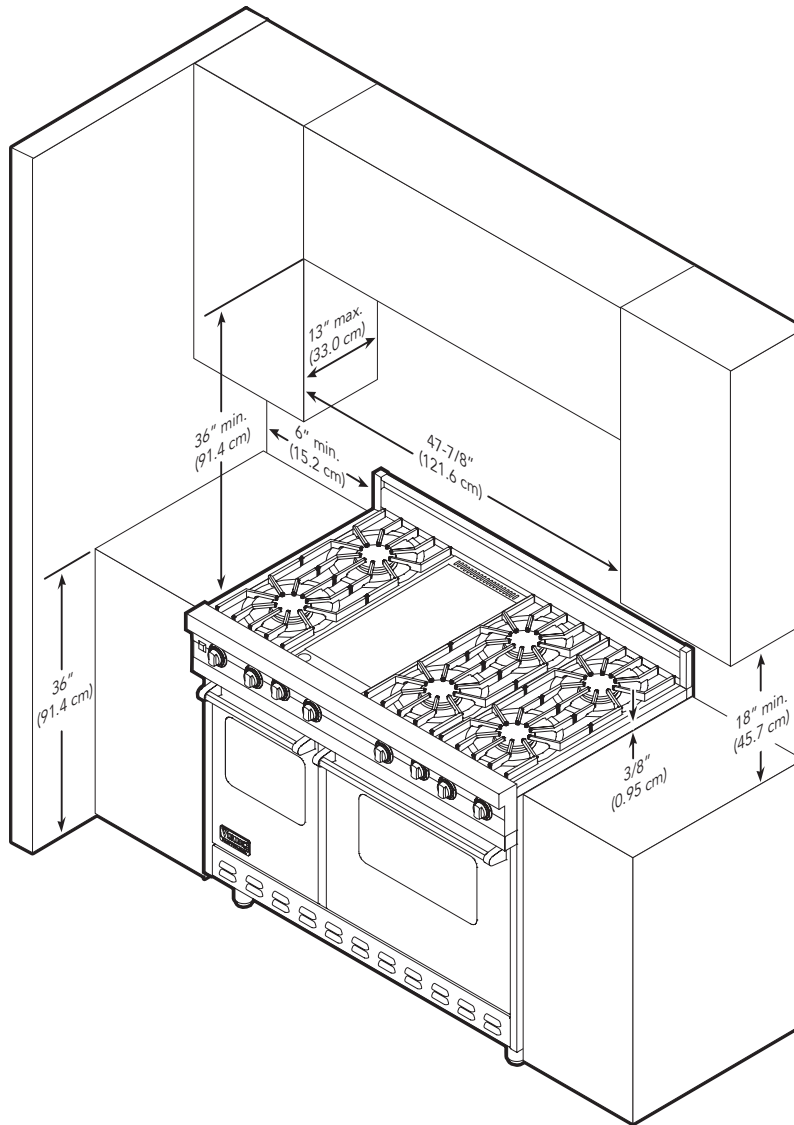




Professional Freestanding Gas 48"W. Commercial Depth Open Burner Range

Dimensions & Specifications

CLEARANCE DIMENSIONS



Minimum clearances from adjacent combustible construction

- Cooking surface and below, i.e., 36" (91.4 cm)
 - o Sides—0"
 - o Rear—0" with backguard or high shelf; 0" with island trim and non-combustible rear wall; 6" (15.2 cm) with island trim and combustible rear wall.
 - o Top grate support—36" (91.4 cm)
- Above cooking surface, i.e., above 36" (91.4 cm)
 - o Sides—6" (15.2 cm)
 - o Within 6" (15.2 cm) side clearance, wall cabinets no deeper than 13" (33.0 cm) must be minimum 18" (45.7 cm) above cooking surface.
 - o Wall cabinets directly above product

must be minimum 36" (91.4 cm) for open top burners above cooking surface

- Use range only with factory supplied legs

1. This range may be installed directly adjacent to existing 36" (91.4 cm) high base cabinets. **Important:** The top grate support **must** be 3/8" (0.95 cm) above the adjacent base cabinet countertop. This may be accomplished by raising the unit using the adjustment spindles on the legs.
2. The range **cannot** be installed directly adjacent to sidewalls, tall cabinets, tall appliances, or other side vertical surfaces above 36" (91.4 cm) high. There must be a minimum of

6" (15.2 cm) side clearance from the range to such combustible surfaces above the 36" (91.4 cm) counter height.

3. Within the 6" (15.2 cm) side clearance to combustible vertical surfaces above 36" (91.4 cm), the maximum wall cabinet depth must be 13" (33.0 cm) and wall cabinets within this 6" (15.2 cm) side clearance must be 18" (45.7 cm) above the 36" (91.4 cm) high countertop.
4. Wall cabinets above the range must be a minimum of 36" (91.4 cm) above the range cooking surface for the full width of the range. This minimum height requirement does not apply if a rangehood is installed over the cooking surface.



COOKING



Professional Freestanding Gas 48"W. Commercial Depth Open Burner Range

UTILITY REQUIREMENTS



GAS

- Shipped natural gas standard; field convert to LP/propane with optional accessory kit or order as LP by adding LP after color code
- Accepts standard residential 1/2" ID gas service line
- Gas manifold pressure
 - o Natural gas 5.0" W.C.P.
 - o LP/Propane 10.0" W.C.P.



ELECTRICAL

- Four-foot (121.9 cm) cord included with range
- Three-wire with ground/three-prong plug 120 V/60 Hz
- Maximum amp usage—
 - o 6GD—16.0
 - o 6QD—12.4
 - o 4GD—19.3
 - o 4QD—16.0



PLUMBING

Not applicable

Installation Requirements

ACCESS REQUIREMENTS



VGRC485-6GD
Six-Burner/
Griddle Range



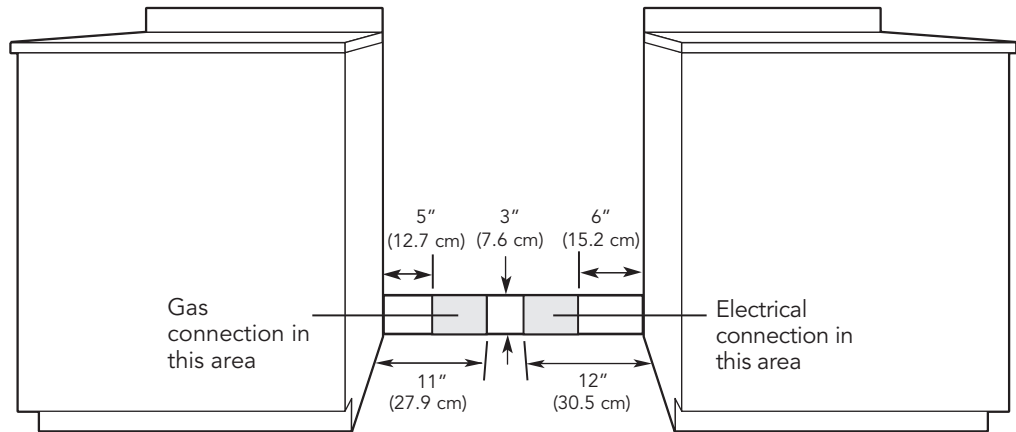
VGRC485-6QD
Six-Burner/
Grill Range



VGRC485-4GD
Four-Burner/
Double Griddle
Range



VGRC485-4QD
Four-Burner/
Griddle/Grill
Range



Note: Ground plug and electrical wire toward the direction of the electrical outlet.

	VGRC485-6GD	VGRC485-6QD	VGRC485-4GD	VGRC485-4QD
Surface burner rating				
Eight grated burners (each)				
Six grated burners (each)	15,000 BTU Nat. (4.4 kW)/ 13,500 BTU LP (4.0 kW)	15,000 BTU Nat. (4.4 kW)/ 13,500 BTU LP (4.0 kW)		
Four grated burners (each)			15,000 BTU Nat. (4.4 kW)/ 13,500 BTU LP (4.0 kW)	15,000 BTU Nat. (4.4 kW)/ 13,500 BTU LP (4.0 kW)
Two griddles (each)			15,000 BTU Nat. (4.4 kW)/ 13,500 BTU LP (4.0 kW)	
One griddle	15,000 BTU Nat. (4.4 kW)/ 13,500 BTU LP (4.0 kW)			15,000 BTU Nat. (4.4 kW)/ 13,500 BTU LP (4.0 kW)
One grill		18,000 BTU Nat. (5.3 kW)/ 16,000 BTU LP (4.7 kW)		18,000 BTU Nat. (5.3 kW)/ 16,000 BTU LP (4.7 kW)
Broil burner rating				
Right oven only –	18,000 BTU Nat. (5.3 kW)/16,000 BTU LP (4.7 kW)			
Bake rating				
Right – two burners (each)	15,000 BTU Nat./LP (4.4 kW)			
Left – one burner	15,000 BTU Nat./LP (4.4 kW)			



**Professional Freestanding Gas 48"W.
Commercial Depth Open Burner Range****✦ Installation & Notes & Accessories**

A backguard, high-shelf, or island trim must be used for all installations.

6"H. Backguard

- Stainless Steel (SS)
- Coordinates with all finishes

Model	Description	Approx. ship wt. lbs. (kg)
R48BG6	48"W. backguard	27 (12.2)

10"H. Backguard

- Stainless Steel (SS)
- Coordinates with all finishes

Model	Description	Approx. ship wt. lbs. (kg)
R48BG10	48"W. backguard	30 (13.5)

High-shelf

- Stainless Steel (SS)
- Coordinates with all finishes
- Shelf comes attached to a 24"H. backguard

Model	Description	Approx. ship wt. lbs. (kg)
R48HS24	48"W. high-shelf	63(28)

Island Trim

- Stainless Steel (SS)
- Coordinates with all finishes
- For island/peninsula installation
- Can replace backguard if wall is non-combustible

Model	Description	Approx. ship wt. lbs. (kg)
R48TII	48"W. island trim	16 (7.2)

Countertop Side Trim

- Stainless Steel (SS)
- Coordinates with all finishes
- Installs on side of unit; overlaps countertop
- One pair of trim

Model	Description	Approx. ship wt. lbs. (kg)
R27CST	27"D. side trim	2 (0.9)

Curb Base Front

- Stainless Steel
- Coordinates with all finishes
- Front only
- Conceals range legs
- Completely assembled
- Easily clips onto range legs after range is installed

Custom Curb Base Front

- Remove stainless steel front and recycle
- Attach locally supplied trim
- Conceals range legs
- Completely assembled
- Provides drop-in range look

Model	Description	Approx. ship wt. lbs. (kg)
RS48CBF	48"W. curb base front	11 (5.0)





✪ Installation & Notes & Accessories

Caster Kit

- Stainless Steel (SS)
- For VGRC ranges with 6" to 8"H. legs only
- Agency certified for residential installation
- Includes four locking casters and one gas line quick connect/disconnect kit (flexible hose, restraining cable, fittings, and hardware)

Model	Description	Approx. ship wt. lbs. (kg)
CKR	Caster kit	21 (9.5)

LP/Propane Conversion Kit

- Allows for field conversion of range from natural gas to LP

Model	Description	Approx. ship wt. lbs. (kg)
LPKRR	Natural to LP/propane conversion kit	2 (0.9)

Compliance Information



WARRANTY INFORMATION*

- One-year full warranty—complete product
- Ten-year limited warranty—porcelain oven and porcelain inner door panel
- Five-year limited warranty—surface burners, griddle burners, grill burners, and oven burner
- Ninety-day limited warranty—cosmetic parts such as glass, painted, and decorative items

* For complete warranty see *Use & Care Guide*. Warranty valid on Viking products shipped within the United States and Canada.



Free Manuals Download Website

<http://myh66.com>

<http://usermanuals.us>

<http://www.somanuals.com>

<http://www.4manuals.cc>

<http://www.manual-lib.com>

<http://www.404manual.com>

<http://www.luxmanual.com>

<http://aubethermostatmanual.com>

Golf course search by state

<http://golfingnear.com>

Email search by domain

<http://emailbydomain.com>

Auto manuals search

<http://auto.somanuals.com>

TV manuals search

<http://tv.somanuals.com>