



Professional Freestanding Gas Self-Clean 30"/36"W. Open Burner Range



Standard Features & Accessories

All models include

- Large, self-cleaning convection bake/broil oven (see indiv. models for dimensions)
 - Three heavy-duty racks/six rack positions
 - Four halogen lights
- **Exclusive** VariSimmer™ setting for all burners
- Removable porcelain burner bowls
- Drip tray with roller bearing glides and two-quart drip pan
- **Exclusive** combination of dual U-shaped bake burner and infrared broil burner, both with electric spark ignition and "flame sensor" shut-off with automatic ignition
- Six functions—natural airflow bake, convection bake, infrared broil, convection infrared broil, convection dehydrate, and convection defrost
- Standard kickspace height

30"W. 4B models include

- Convection oven capacity:
 - Overall capacity—4.0 cu ft. (23"W. x 16-1/8"H. x 18-3/4"D.)
 - AHAM Standard—3.3 cu. ft. (23"W. x 16-1/8"H. x 15-3/8"D.)
- Four 15,000 BTU stainless steel burners with porcelain/cast iron caps and automatic ignition/re-ignition
- Center grate allows movement of cooking vessels across entire top surface
- Shipped with 6"H. stainless steel backguard*

36"W. 6B models include

- Convection oven capacity:
 - Overall capacity—5.1 cu ft. (29"W. x 16-1/8"H. x 18-3/4"D.)
 - AHAM Standard—4.2 cu. ft. (29"W. x 16-1/8"H. x 15-3/8"D.)
- Six 15,000 BTU stainless steel burners with porcelain/cast iron caps and automatic ignition/re-ignition

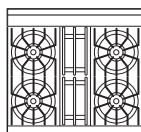
36"W. 4G models include

- Convection oven capacity:
 - Overall capacity—5.1 cu ft. (29"W. x 16-1/8"H. x 18-3/4"D.)
 - AHAM Standard—4.2 cu. ft. (29"W. x 16-1/8"H. x 15-3/8"D.)
- Four 15,000 BTU stainless steel burners with porcelain/cast iron caps and automatic ignition/re-ignition
- One 12"W. thermostatically controlled steel griddle/simmer plate

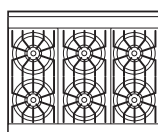
36"W. 4Q models include

- Convection oven capacity:
 - Overall capacity—5.1 cu ft. (29"W. x 16-1/8"H. x 18-3/4"D.)
 - AHAM Standard—4.2 cu. ft. (29"W. x 16-1/8"H. x 15-3/8"D.)
- Four 15,000 BTU stainless steel burners with porcelain/cast iron caps and automatic ignition/re-ignition
- One 12"W. grill with flavor generator plates and automatic ignition/re-ignition

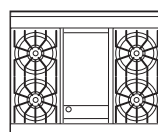
Model Options



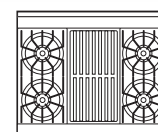
VGSC306-4B*
30"W. Four-Burner Range



VGSC366-6B*
36"W. Six-Burner Range



VGSC366-4G*
36"W. Four-Burner/
Griddle Range



VGSC366-4Q*
36"W. Four-Burner/
Grill Range

FINISH DETAILS FOR ALL MODELS

- Stainless Steel (SS), Black (BK), White (WH), Metallic Silver (MS), Graphite Gray (GG), Stone Gray (SG), Taupe (TP), Biscuit (BT), Cotton White (CW), Oyster Gray (OG), Golden Mist (GM), Lemonade (LE), Sage (SA), Mint Julep (MJ), Sea Glass (SE), Iridescent Blue (IB), Viking Blue (VB), Pumpkin (PM), Racing Red (RR), Apple Red (AR), Burgundy (BU), Plum (PL), Chocolate (CH), and Cobalt Blue (CB).
 - Finish designates door front, lower front panel, and side panels.
- White (WH)
 - Finish designates door front, lower front panel, side panels, porcelain grate supports/burner bowls, porcelain center worktop, and knobs/switches.
 - Has black porcelain grates and black porcelain burner caps.
- All finishes have stainless steel handle/chrome-plated brackets and stainless steel drip tray pull, control panel, and landing ledge.
- Brass Trim Option (BR)—nameplate, window trim, handle, drip tray pull, knob bezels, thermal-convection switch bezel, and grate support side trim. Brass components have a durable protective coating for maintenance-free normal use.

*Shown throughout with 6"H. backguard. See **Installation Notes & Accessories** for details.

ORDERING INSTRUCTIONS

First specify model number, and then color code (VGSC306-4BSS). If ordering optional brass trim, specify code at end (VGSC306-4BSSBR). If ordering optional LP conversion, specify code at end (VGSC306-4BSSBRPL).





Professional Freestanding Gas Self-Clean 30"/36"W. Open Burner Range

★ Please see Installation Notes & Accessories for important installation information including backguard, high-shelf, island trim, and curb base front.



ALL MODELS

Star-K Kosher Certification for use on the Jewish Sabbath or Jewish holidays

Dimensions & Specifications

PRODUCT DIMENSIONS & DOOR SWING



VGSC306-4B
30"W. Four-Burner Range



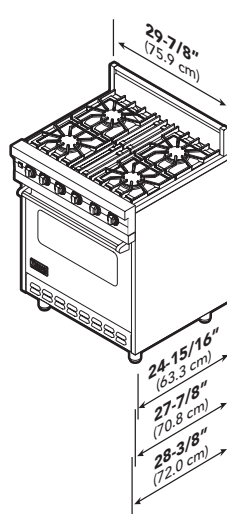
VGSC366-6B
36"W. Six-Burner Range



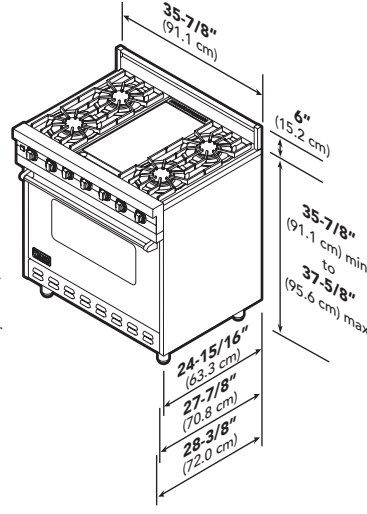
VGSC366-4G
36"W. Four-Burner/Griddle Range



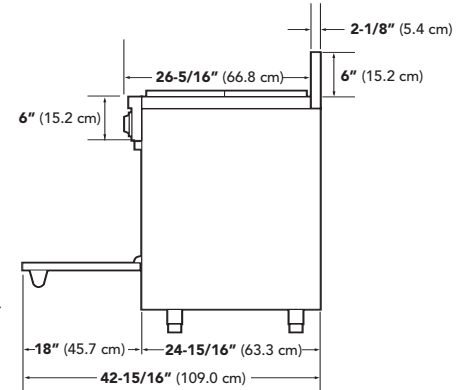
VGSC366-4Q
36"W. Four-Burner/Grill Range



30"W. Models



36"W. Models



30" & 36"W. Models

	VGSC306-4B	VGSC366-6B	VGSC366-4G	VGSC366-4Q
Overall width	29-7/8" (75.9 cm)	35-7/8" (91.1 cm)	35-7/8" (91.1 cm)	35-7/8" (91.1 cm)
Overall height				
Base height				
To top of grate support		35-7/8" (91.1 cm) min. to 37-5/8" (95.6 cm) max.		
Legs adjust (with "spindles" fully extended)		1-3/4" (4.5 cm)		
Additions to base height				
To top of spider grate		Add 1-1/8" (2.9 cm)		
To top of island trim		Add 1-1/4" (3.2 cm)		
To top of 6" backguard		Add 6" (15.2 cm)		
To top of 10" backguard		Add 10" (25.4 cm)		
To top of high shelf		Add 23-1/2" (59.7 cm)		
Overall depth (from rear)				
To end of side panel		24-15/16" (63.3 cm)		
To end of control panels		27-7/8" (70.8 cm)		
To end of knobs		28-3/8" (72.0 cm)		
Oven				
Interior width	23" (58.4 cm)	29" (73.7 cm)	29" (73.7 cm)	29" (73.7 cm)
Interior height		16-1/8" (41.0 cm)		
Interior depth		15-3/8" (39.1 cm)		
Overall interior size	3.3 cu. ft.	4.2 cu. ft.	4.2 cu. ft.	4.2 cu. ft.





COOKING

Professional Freestanding Gas Self-Clean 30"/36"W. Open Burner Range



UTILITY REQUIREMENTS



GAS

- Shipped natural gas standard; field convert to LP/propane with optional accessory kit or order as LP by adding LP after color code
- Accepts standard residential 1/2" ID gas service line
- Gas manifold pressure
 - Natural gas 5.0" W.C.P.
 - LP/Propane 10.0" W.C.P..



ELECTRICAL

- Four-foot (121.9 cm) cord included with range
- Three-wire with ground/three-prong plug
- 120 V/60 Hz
- Maximum amp usage—
 - 30"W. 4B—2.3
 - 6B—2.3
 - 4G—6.0
 - 4Q—2.4



PLUMBING

Not applicable

Installation Requirements

ACCESS REQUIREMENTS



VGSC306-4B
30"W. Four-Burner Range



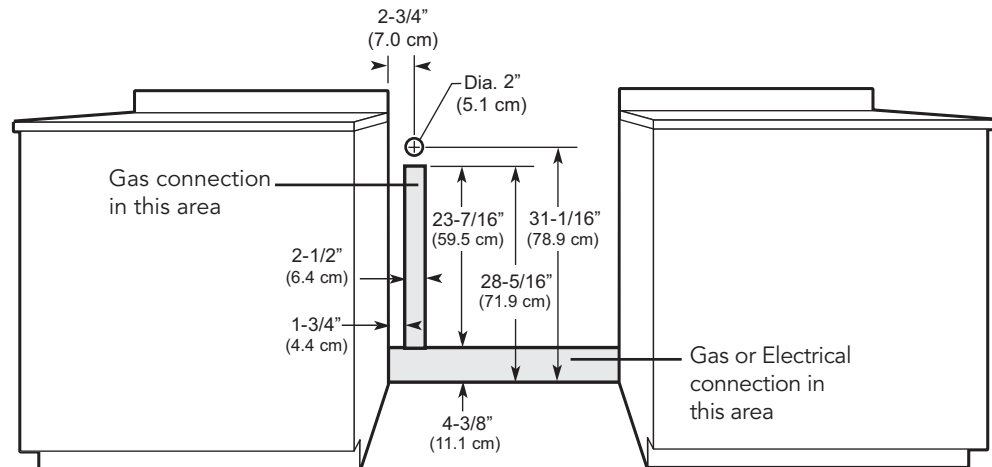
VGSC366-6B
36"W. Six-Burner Range



VGSC366-4G
36"W. Four-Burner/Griddle Range



VGSC366-4Q
36"W. Four-Burner/Grill Range



Note: If the gas supply is installed through the rear wall, the location **MUST** be 31-1/16" (78.9 cm) above the floor and 2-3/4" (7.0 cm) from the left hand side (when facing the unit) or within a maximum of 4-3/8" (11.1 cm) above the floor as specified in the drawing above.

	VGSC306-4B	VGSC366-6B	VGSC366-4G	VGSC366-4Q
Surface burner rating				
Four grated burners (each)	15,000 BTU Nat. (4.4 kW)/ 13,500 BTU LP (4.0 kW)		15,000 BTU Nat. (4.4 kW)/ 13,500 BTU LP (4.0 kW)	15,000 BTU Nat. (4.4 kW)/ 13,500 BTU LP (4.0 kW)
Six grated burners (each)		15,000 BTU Nat. (4.4 kW)/ 13,500 BTU LP (4.0 kW)		
One griddle			15,000 BTU Nat. (4.4 kW)/ 13,500 BTU LP (4.0 kW)	
One grill				18,000 BTU Nat. (5.3 kW)/ 16,000 BTU LP (4.7 kW)
Broil burner rating	18,000 BTU Nat. (5.3 kW)/16,000 BTU LP (4.7 kW)			
Bake burner rating	30,000 BTU Nat./LP (8.8 kW)			





COOKING

Professional Freestanding Gas Self-Clean 30"/36"W. Open Burner Range



✦ Installation Notes & Accessories

A backguard, high-shelf, or island trim must be used for all installations.

6"H. Backguard

- Stainless Steel (SS)
- Coordinates with all finishes
- Included (and shipped) automatically with 30"W. ranges, but not with 36"W. ranges.

Model	Description	Approx. ship wt. lbs. (kg)
S30BG6	30"W. backguard	14 (6.3)
S36BG6	36"W. backguard	17 (7.7)

10"H. Backguard

- Stainless Steel (SS)
- Coordinates with all finishes
- 10"H. backguard not available for 30"W. ranges

Model	Description	Approx. ship wt. lbs. (kg)
S36BG10	36"W. backguard	20 (9.0)

High-shelf

- Stainless Steel (SS)
- Coordinates with all finishes
- Shelf comes attached to a 24"H. backguard

Model	Description	Approx. ship wt. lbs. (kg)
S30HS24	30"W. high-shelf	45 (20.3)
S36HS24	36"W. high-shelf	50 (22.5)

Island Trim

- Stainless Steel (SS)
- Coordinates with all finishes
- For island/peninsula installation
- Can replace backguard if wall is non-combustible

Model	Description	Approx. ship wt. lbs. (kg)
S30TII	30"W. island trim	10 (4.5)
S36TII	36"W. island trim	11 (5.0)

Countertop Side Trim

- Stainless Steel (SS)
- Coordinates with all finishes
- One pair of trim
- Installs on side of unit; overlaps countertop

Model	Description	Approx. ship wt. lbs. (kg)
S24CST	24"W. side trim	2 (0.9)





COOKING

Professional Freestanding Gas Self-Clean 30"/36"W. Open Burner Range



✦ Installation Notes & Accessories

Curb Base Front

- Stainless Steel (SS)
- Coordinates with all finishes
- Front only
- Conceals range legs
- Completely assembled
- Easily clips onto range legs after range is installed

Custom Curb Base Front

- Remove stainless steel front and recycle
- Attach locally supplied trim
- Conceals range legs
- Completely assembled
- Easily clips onto range legs after range is installed
- Provides drop-in range look

Model	Description	Approx. ship wt. lbs. (kg)
RS30CBF4	30"W. curb base front	9 (4.1)
RS36CBF4	36"W. curb base front	10 (4.5)

LP/Propane Conversion Kit

- Allows for field conversion of range from natural gas to LP

Model	Description	Approx. ship wt. lbs. (kg)
LPKRR	Natural to LP/propane conversion kit	2 (0.9)

Compliance Information



WARRANTY INFORMATION*

- One-year full warranty—complete product
- Ten-year limited warranty—porcelain oven and porcelain inner door panel
- Five-year limited warranty—surface burners, griddle burners, grill burners, and oven burner
- Ninety-day limited warranty—cosmetic parts such as glass, painted, and decorative items

* For complete warranty see *Use & Care Guide*. Warranty valid on Viking products shipped within the United States and Canada.



Free Manuals Download Website

<http://myh66.com>

<http://usermanuals.us>

<http://www.somanuals.com>

<http://www.4manuals.cc>

<http://www.manual-lib.com>

<http://www.404manual.com>

<http://www.luxmanual.com>

<http://aubethermostatmanual.com>

Golf course search by state

<http://golfingnear.com>

Email search by domain

<http://emailbydomain.com>

Auto manuals search

<http://auto.somanuals.com>

TV manuals search

<http://tv.somanuals.com>