



Professional Select Touch Control Built-In Electric 30"W. Single/Double Oven

Standard Features & Accessories

All Professional Select Touch Control ovens include

- Overall capacity (each oven)
 - o 30"W. models—4.7 cu. ft.
 - 25-5/16"W. x 16-1/2"H. x 19-1/2"D.
- AHAM* standard capacity (each oven)
 - o 30"W. models—4.1 cu. ft.
 - 25-5/16"W. x 16-1/2"H. x 16-13/16"D.
- A custom designed control panel disappears when not in use.
- **Exclusive**—largest, self-cleaning convection oven(s) available
- **Exclusive**—patent-pending Vari-Speed Dual Flow™ convection system; 8-1/2" diameter two-speed fan (largest in the industry) works bi-directionally for optimal airflow
- **Exclusive**—Rapid Ready™ system provides super-fast preheating
- 10-pass broiler with heat reflector directs heat directly into food for quicker results
- Concealed 10-pass dual bake element makes the oven cavity easy to clean while providing precise temperature control
- Commercial-type performance
- Digital clock
 - o 100-minute timer
 - o Timed Bake feature
 - Set oven to begin cooking up to 24 hours
 - Shuts off when cooking time is complete
- Self-clean setting
- High-density insulation contains heat for maximum energy savings, even during high-temperature self-cleaning
- Three heavy-duty, porcelain-coated racks/six rack positions (per oven)
- Includes heavy-duty broiler pan and tray for better broiling performance
- Halogen lighting
- High-performance cooking modes
 - o Convection (convection features in top oven only on double ovens)
 - TruConvect™ Convection Cooking (Viking's exclusive air circulation system uses only a convection element in the rear of the oven with fan-forced air—no direct heat from the top or bottom)
 - Convection roast
 - Convection bake
 - Convection broil
 - Convection dehydrate
 - Convection defrost
- Conventional
 - Bake
 - Three-level broil
 - o High
 - o Medium
 - o Low
- Sabbath mode

Professional Select Touch Control model numbers

- VESO130T—30"W. single oven
- VEDO130T—30"W. double oven

*The AHAM Standard for measuring oven capacity subtracts the door plug and convection baffle dimension from the total oven volume.

Model Options



VESO130T
Professional Select
Single Oven



VESO130T
Professional Select
Double Oven

FINISH DETAILS FOR SELECT MODELS

- Stainless Steel (SS), Black (BK), and White (WH)
 - o Finish designates door(s) and control panel(s). Stainless steel handle(s).
- White (WH)
 - o Finish designates door(s) and control panel(s). Stainless steel handle(s).
- Brass Accent Option (BR)—nameplate, knob bezels and handle endcaps.

ORDERING INSTRUCTIONS

First specify model number, and then color code (VESO530TSS). If ordering optional brass trim, specify code at end (VESO530TSSBR).





COOKING

Professional Premiere Touch Control Built-In Electric 30"W. Single/Double Oven



Standard Features & Accessories

All Professional Premiere Touch Control ovens include

- Overall capacity (each oven)
 - o 30"W. models—4.7 cu. ft.
 - 25-5/16"W. x 16-1/2"H. x 19-1/2"D.
- AHAM* standard capacity (each oven)
 - o 30"W. models—4.1 cu. ft.
 - 25-5/16"W. x 16-1/2"H. x 16-13/16"D.
- A digital touch control panel offers features like Autoroast, Proof, & personalized recipe functions—then disappears when not in use.
- **Exclusive**—largest, self-cleaning convection oven(s) available
- **Exclusive**—patent-pending Vari-Speed Dual Flow™ convection system; 8-1/2" diameter two-speed fan (largest in the industry) works bi-directionally for optimal airflow
- **Exclusive**—Rapid Ready™ system provides super-fast preheating
- Improved 10-pass broiler with heat reflector directs heat directly into food for quicker results
- Extra-large Gourmet-Glo™ glass enclosed infrared broiler provides superior broiling performance and maximum coverage. Intense heat from this restaurant-quality broiler sears meats and fish, locking in savory juices.
- Concealed 10-pass dual bake element makes the oven cavity easy to clean while providing precise temperature control
- Commercial-type performance
- Digital clock

- o 100-minute timer
- o Timed Bake feature
 - Set oven to begin cooking up to 24 hours
 - Shuts off when cooking time is complete
- Self-clean setting
- High-density insulation contains heat for maximum energy savings, even during high-temperature self-cleaning
- Three heavy-duty, porcelain-coated racks/six rack positions (per oven)
- Includes heavy-duty broiler pan and tray for better broiling performance
- Three strategically placed oven lights
- High-performance cooking modes
 - o Convection (convection features in both upper and lower oven of double ovens)
 - TruConvec™ Convection Cooking (Viking's exclusive air circulation system uses only a convection element in the rear of the oven with fan-forced air—no direct heat from the top or bottom)
 - Convection roast
 - Convection bake
 - Convection broil
 - Convection dehydrate
 - Convection defrost

- o Conventional
 - Bake
 - Three-level broil
 - o High
 - o Medium
 - o Low
 - ProFlow™ Convection Baffle system—engineered to optimize even heat circulation
 - Meat probe offers perfect baking/roasting of fine meats (upper oven in double ovens)
 - o Timer sounds and oven shuts off when desired temp is reached
 - Includes one TruGlide™ full-extension rack (in each oven cavity of double ovens), which allows easy access (additional racks available for purchase—see **Installation Notes & Accessories**)
 - Sabbath mode
- Professional Premiere Touch Control model numbers**
- VESO530T—30"W. single oven
 - VEDO530T—30"W. double oven

*The Association of Home Appliance Manufacturers (AHAM) standard for measuring oven capacity subtracts the door plug and convection baffle dimension from the total oven volume.

Model Options



VESO530T
Professional Premiere
Single Oven



VEDO530T
Professional Premiere
Double Oven

FINISH DETAILS FOR PREMIERE MODELS

- Stainless Steel (SS), Black (BK), White (WH), Metallic Silver (MS), Graphite Gray (GG), Stone Gray (SG), Taupe (TP), Biscuit (BT), Cotton White (CW), Oyster Gray (OG), Golden Mist (GM), Lemonade (LE), Sage (SA), Mint Julep (MJ), Sea Glass (SE), Iridescent Blue (IB),

- Viking Blue (VB), Pumpkin (PM), Racing Red (RR), Apple Red (AR), Burgundy (BU), Plum (PL), Chocolate (CH), and Cobalt Blue (CB).
- o Finish designates door(s) and control panel(s). Stainless steel handles(s).

- White (WH)
 - o Finish designates door(s) and control panel(s). Stainless steel handles(s).
- Brass Accent Option (BR)—nameplate, knob bezels and handle endcaps.

ORDERING INSTRUCTIONS

First specify model number, and then color code (VESO530TSS). If ordering optional brass trim, specify code at end (VESO530TSSBR).





Professional Select & Premiere Touch Control Built-In Electric 30"W. Single/Double Oven

Dimensions & Specifications

PRODUCT DIMENSIONS & DOOR SWING



VESO130T
Professional Select
Single Oven

VEDO130T
Professional Select
Double Oven

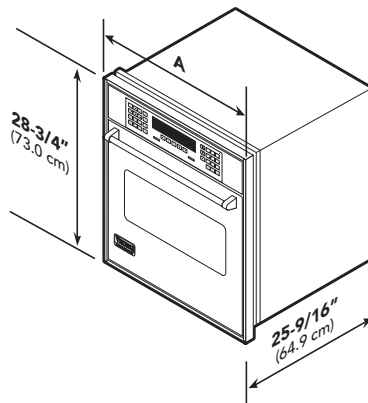
VESO530T
Professional Premiere
Single Oven

VEDO530T
Professional Premiere
Double Oven

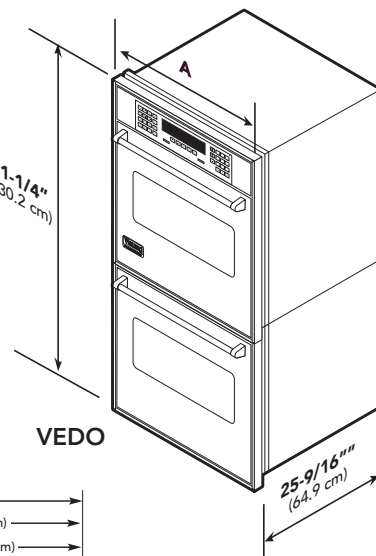
★ Please see Installation Notes and Accessories for important installation information, including oven racks.



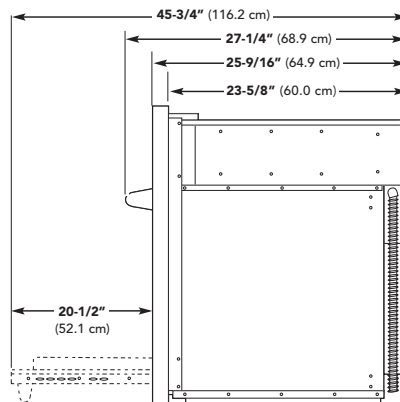
Star-K Kosher certification for use on the Jewish Sabbath or Jewish holidays



VESO



VEDO



VESO/VEDO

	VESO130T/530T	VEDO130T/530T
Overall width (A)	29-1/2" (74.9 cm)	
Overall height (from bottom)	28-3/4" (73.0 cm)	51-1/4" (130.2 cm)
Overall depth (from rear)		
To edge of door	25-9/16" (64.9 cm)	
With door open	45-3/4" (116.2 cm)	
Interior (each oven)		
Width	25-5/16" (64.3 cm)	
Height	16-1/2" (41.9 cm)	
Depth (upper oven)	16-13/16" (42.7 cm)	
Approx. ship weight	278 lbs. (126.1 kg)/ 293 lbs. (132.9 kg)	424 lbs. (192.3kg)/ 449 lbs. (203.7 kg)





COOKING

Professional Select & Premiere Touch Control Built-In Electric 30"W. Single/Double Oven



UTILITY REQUIREMENTS



GAS

- Not applicable



ELECTRICAL

- Five-foot flexible steel conduit included. Equipped with No.10 ground wire in unit. Fuse separately.
 - o Four-wire with ground
 - o 240 – 208/120 V/60 Hz
 - o 30 amp electrical connection for singles
 - o 50-amp electrical connection for doubles
- Max. amp usage—(240V/208V)
 - o Single—24.0/20.8
 - o Double—40.0/34.7



PLUMBING

Not applicable

Installation Requirements

ACCESS REQUIREMENTS



VESO130T
Professional Select
Single Oven



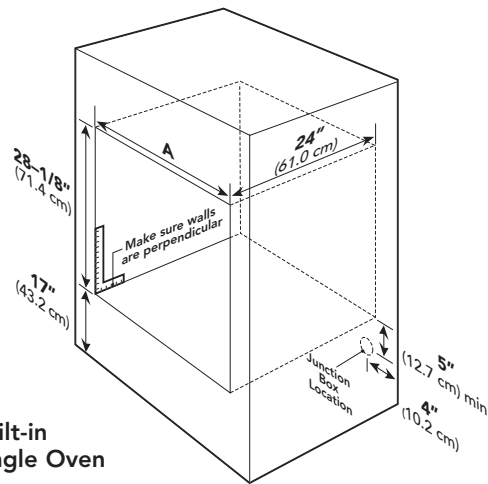
VEDO130T
Professional Select
Double Oven



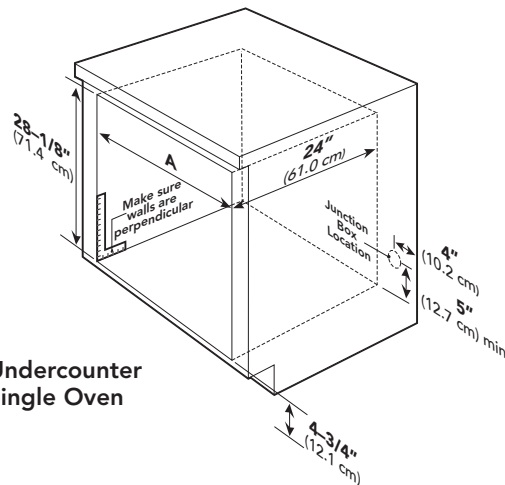
VESO530T
Professional Premiere
Single Oven



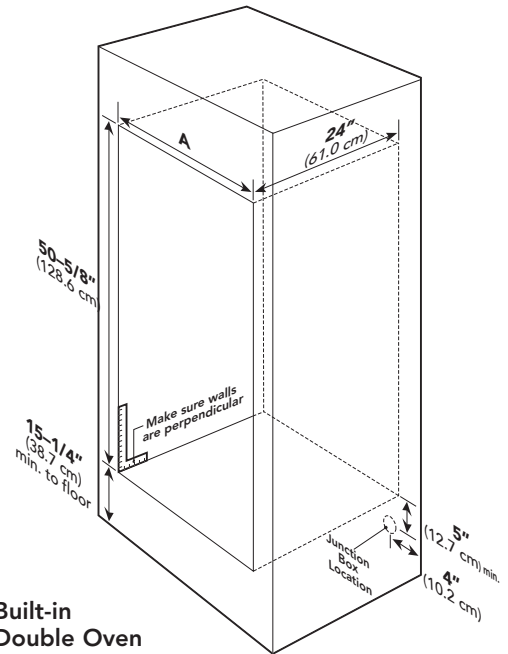
VEDO530T
Professional Premiere
Double Oven



Built-in Single Oven



Undercounter Single Oven



Built-in Double Oven

VESO130T/530T

VEDO130T/530T

Cutout width (A)	28-1/2" (72.4 cm)
Cutout height (from bottom)	28-1/8" (71.4 cm) / 50-5/8" (128.6 cm)
Cutout depth	24" (61.0 cm)





Installation Notes & Accessories

TruGlide™ Full Extension Oven Racks

- For Professional and Professional Premiere/Select models
- Heavy-duty chrome-plated racks match regular racks shipped with ovens
- Fits securely on rack supports and fully extends, making it easier to load and unload oven
- Can be used in any of the six oven rack positions
- Single rack

Model	Description	Approx. ship wt. lbs. (kg)
TESO301	TruGlide™ rack (30"W.)	15 (6.8)

Hearth Stone

- Hard-fired ceramic baking stone
- Absorbs heat and sends it back into food during cooking
- Can be used in all Viking Select and Premiere ovens

Model	Description	Approx. ship wt. lbs. (kg)
OHS18	17-5/8"W. x 13"D. hearth stone	13 (5.9)

V-rack & Drip Pan

- No stick V-rack can be used for cooking roasts, hams, ribs, etc.
- Drip pan catches drippings from items cooked in V-rack to generate flavor and prevent flare-ups

Model	Description	Approx. ship wt. lbs. (kg)
CVD	V-rack and drip pan	4 (1.8)

Broiler Pan & Tray

- For use with all Viking built-in and range ovens
- Heavy-duty porcelainized construction
- Tray allows drippings to fall through to broiler pan
- Tray is removable for easy cleaning

Model	Description	Approx. ship wt. lbs. (kg)
BPT	Broiler pan and tray	5.5 (2.5)

Broiler Pan Rack

- For use with Viking broiler pans
- Provides better broiling and roasting options in convection modes

Model	Description	Approx. ship wt. lbs. (kg)
BPR	Broiler pan rack	1 (0.45)

Compliance Information



WARRANTY INFORMATION*

- One-year full warranty—complete product
- Five-year limited warranty—all oven elements
- Ten-year limited warranty—porcelain oven(s) and porcelain inner door panel
- Ninety-day limited warranty—cosmetic parts such as glass, painted, and decorative items

* For complete warranty see Use & Care Guide. Warranty valid on Viking products shipped within the United States and Canada.



Free Manuals Download Website

<http://myh66.com>

<http://usermanuals.us>

<http://www.somanuals.com>

<http://www.4manuals.cc>

<http://www.manual-lib.com>

<http://www.404manual.com>

<http://www.luxmanual.com>

<http://aubethermostatmanual.com>

Golf course search by state

<http://golfingnear.com>

Email search by domain

<http://emailbydomain.com>

Auto manuals search

<http://auto.somanuals.com>

TV manuals search

<http://tv.somanuals.com>