



# TECHNICAL Practice

TELECOM SOLUTIONS FOR THE 21ST CENTURY

## ERAM-60

Memory Expansion Kit for the DVA-2W, DVA-500A, DVA-1003B, DVA-3003 and FBI-1A

May 7, 2001

## Expand the Voice Record Time of Viking Products



The **ERAM-60** Memory Expansion Kit is designed to expand the voice record memory of specified Viking products using non-volatile memory.

Each kit includes one 28 pin non-volatile memory chip which provides one minute of record time. The number of chips required is dependant on the record time required and the capacity of the announcer.

Model	# of Kits	Factory Record Time	Maximum Record Time
DVA-2W	up to 3	1 minute	4 minutes
DVA-500A	1	16 seconds	1 minute
DVA-1003B	up to 3	16 seconds per channel	1 minute
DVA-3003	up to 9	1 minute per channel (3 minutes total)	4 minutes per channel (12 minutes total)
FBI-1A	1	16 seconds	1 minute

## Installation

### A. DVA-2W Memory Expansion

**Important:** Electronics componants are sensitive to static electricity. Personnel and the work area should be grounded before handling.

1. Disconnect the power to the **DVA-2W**.
2. Remove the (2) screws on the bottom of the unit, then remove the cover.
3. Insert the **ERAM** chip(s) carefully into the appropriate socket(s) with the indents facing in the direction shown in the diagram below.
4. Replace the cover and screws of the **DVA-2W**.

## Specifications

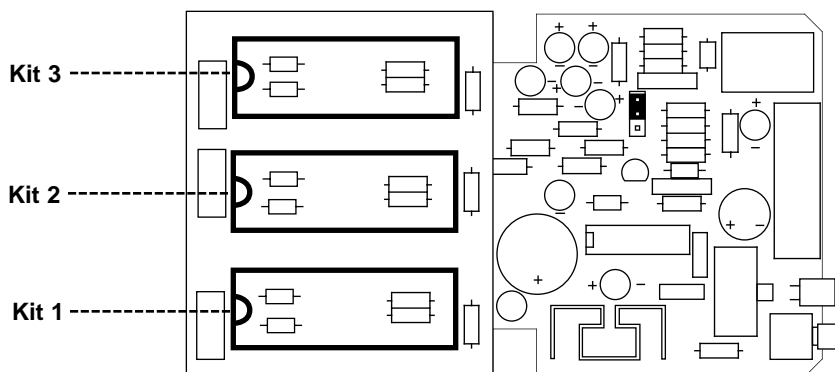
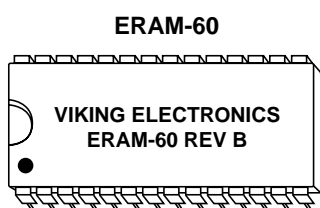
**Environmental:** 0° C to 32° C (32° F to 90° F) with 5% to 95% non-condensing humidity

**Description:** (1) 28-pin ERAM chip (1 minute of record time)

Phone...715.386.8861

info@vikingelectronics.com

http://www.vikingelectronics.com

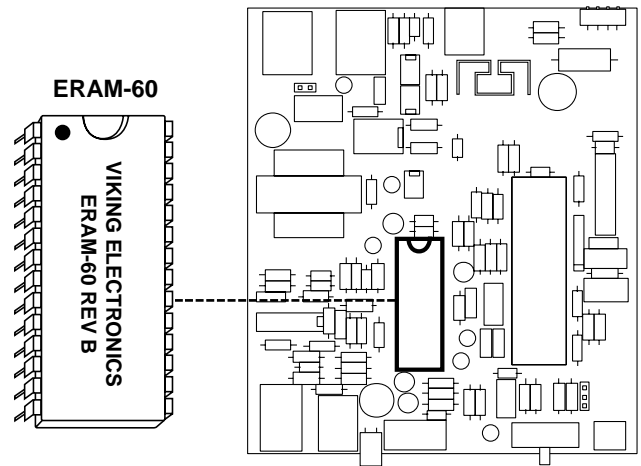


# Installation

## B. DVA-500A and DVA-1003B Memory Expansion

**Important:** Electronics components are sensitive to static electricity. Personnel and the work area should be grounded before handling.

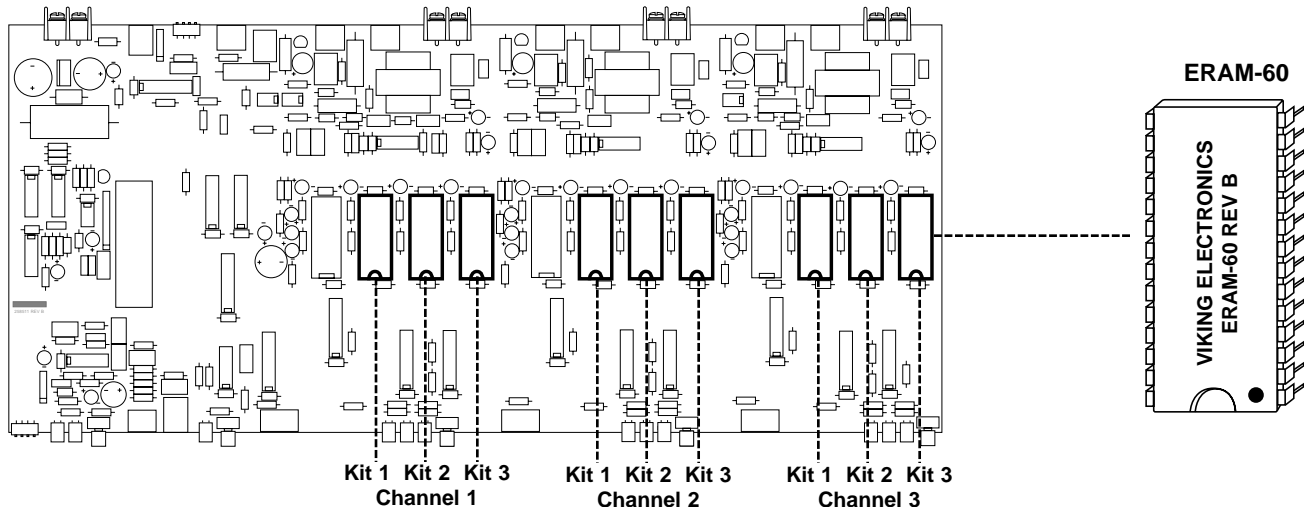
1. Disconnect the power and telecom connections to the **DVA-500A** or **DVA-1003B**.
2. Remove the (4) screws on the bottom of the unit, then remove the cover.
3. Insert the **ERAM** chip(s) carefully into the appropriate socket(s) with the indents facing in the direction shown.
4. Replace the cover and screws of the **DVA-500A** or **DVA-1003B**.



## C. DVA-3003 Memory Expansion

**Important:** Electronics components are sensitive to static electricity. Personnel and the work area should be grounded before handling.

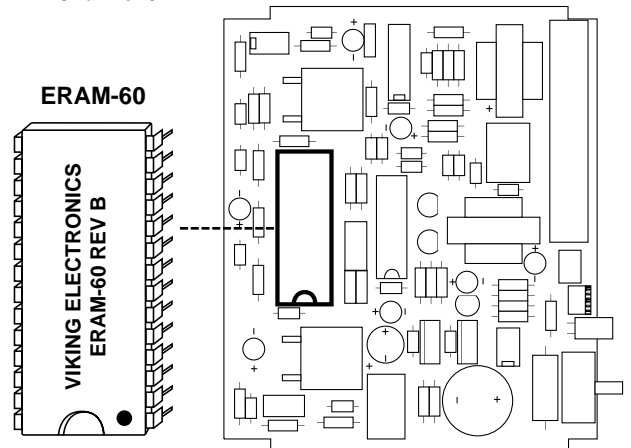
1. Disconnect the power and telecom connections to the **DVA-3003**.
2. Remove the (4) screws on the bottom of the unit, then remove the cover.
3. Insert the **ERAM** chip(s) carefully into the appropriate socket(s) with the indents facing in the direction shown below.
4. Replace the cover and screws of the **DVA-3003**.



## D. FBI-1A Memory Expansion

**Important:** Electronics components are sensitive to static electricity. Personnel and the work area should be grounded before handling.

1. Disconnect the power and telecom connections to the **FBI-1A**.
2. Remove the circuit board by spreading the aluminum housing until the board is free.
3. Insert the **ERAM** chip(s) carefully into the appropriate socket(s) with the indents facing in the direction shown.
4. Place the board back into the chassis of the **FBI-1A**.



**Product Support Line...715.386.8666**

**Fax Back Line...715.386.4345**

Due to the dynamic nature of the product design, the information contained in this document is subject to change without notice. Viking Electronics, and its affiliates and/or subsidiaries assume no responsibility for errors and omissions contained in this information. Revisions of this document or new editions of it may be issued to incorporate such changes.

## Free Manuals Download Website

<http://myh66.com>

<http://usermanuals.us>

<http://www.somanuals.com>

<http://www.4manuals.cc>

<http://www.manual-lib.com>

<http://www.404manual.com>

<http://www.luxmanual.com>

<http://aubethermostatmanual.com>

Golf course search by state

<http://golfingnear.com>

Email search by domain

<http://emailbydomain.com>

Auto manuals search

<http://auto.somanuals.com>

TV manuals search

<http://tv.somanuals.com>