



Professional & Designer Built-In Electric 27"/30"/36"W. Warming Drawer

Standard Features & Accessories

All models include

- Drawer capacity
 - 27"W. models—1.4 cu. ft.—425 watts
 - 17-1/4"W. x 6"H. x 22-3/4"D.
 - 30"W. models—1.6 cu. ft.—450 watts
 - 20-1/2"W. x 6"H. x 22-3/4"D.
 - 36"W. models—2.0 cu. ft.—550 watts
 - 25"W. x 6"H. x 22-3/4"D.
- Temperature settings 90°F – 250°F
 - Low setting is ideal for platewarming or breadproofing
 - High setting keeps soups and sauces piping hot
- Versatile moisture-selector control regulates the amount of moisture released from drawer (not available on custom front models)
- **Exclusive**—two half-sized low racks
 - Stainless steel low racks with slots for heat distribution
 - Racks cover entire bottom of pan for the largest loads or for only half coverage by removing one section

- **Exclusive**—moisture cup
 - Moisture cup holds water to increase interior humidity
- Entire drawer removes for easy cleaning
- Stainless steel roller bearing glides for smooth drawer operation
- Power on indicator light cycles on and off with heating element

Professional models include

- Commercial-type size, construction, design, and styling
 - Heavy-duty drawer handle and perimeter trim
 - Large, easy-to-read, commercial-type knob (hidden when door is closed)
- Model numbers
 - VEWD173—27"W.
 - VEWD103—30"W.
 - VEWD163—36"W.

Designer models include

- Professional construction and design
 - Styling matches other Designer products
 - Ergonomically designed handle
- Model numbers
 - DEWD171—27"W.
 - DEWD101—30"W.

Custom front models include

- Blends seamlessly into cabinetry with locally supplied front panel
- Accessory options include Professional Series handle, Designer Series handle, or custom handle.
- Model numbers
 - DFWD171—27"W.
 - DFWD101—30"W.

Model Options



**VEWD173/103/163
Professional
Warming Drawer**

FINISH DETAILS FOR PROFESSIONAL MODELS

- Stainless Steel (SS), Black (BK), White (WH), Metallic Silver (MS), Graphite Gray (GG), Stone Gray (SG), Taupe (TP), Biscuit (BT), Cotton White (CW), Oyster Gray (OG), Golden Mist (GM), Lemonade (LE), Sage (SA), Mint Julep (MJ), Sea Glass (SE), Iridescent Blue (IB), Viking Blue (VB), Pumpkin (PM), Racing Red (RR), Apple Red (AR), Burgundy (BU), Plum (PL), Chocolate (CH), and Cobalt Blue (CB).
 - Finish designates drawer and control panel fronts. Black knob.
- White (WH)
 - Finish designates drawer and control panel fronts. White knob.
- Silver finished vertical/horizontal trim, with stainless steel handle with chrome-plated brackets.
- Brass Trim Option (BR)—nameplate, drawer handle/brackets, and knob bezel. Brass components have a durable protective coating for maintenance-free normal use.



**DEWD171/101
Designer
Warming Drawer**

FINISH DETAILS FOR DESIGNER MODELS

- Stainless Steel (SS), Black (BK), White (WH), Metallic Silver (MS), Graphite Gray (GG), Stone Gray (SG), Taupe (TP), Biscuit (BT), Cotton White (CW), Oyster Gray (OG), Golden Mist (GM), Lemonade (LE), Sage (SA), Mint Julep (MJ), Sea Glass (SE), Iridescent Blue (IB), Viking Blue (VB), Pumpkin (PM), Racing Red (RR), Apple Red (AR), Burgundy (BU), Plum (PL), Chocolate (CH), and Cobalt Blue (CB).
 - Finish designates door panel, stainless steel knob, and handle. Black knob grips.
- White (WH)
 - Finish designates door panel, stainless steel knob, and handle. Gray knob grips.
- Brass Trim Option (BR)—handle and knobs. Brass components have a durable protective coating for maintenance-free normal use.



**DFWD171/101
Custom Front
Warming Drawer**

FINISH DETAILS FOR CUSTOM FRONT MODELS

- 3/4" thick custom panel
- See **Installation Notes & Accessories** for handle kits.
- See **Custom Panels** section for more information and additional specifications.

ORDERING INSTRUCTIONS

First specify model number, and then color code (VEWD173SS). If ordering optional brass trim, specify code at end (VEWD173SSBR).



Professional & Designer Built-In Electric 27"/30"/36"W. Warming Drawer

★ Please see Installation Notes and Accessories for important information, including handle kits and pan/lid set.

Dimensions & Specifications

PRODUCT DIMENSIONS & DOOR SWING



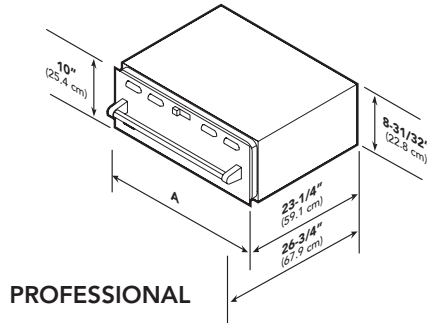
VEWD173/103/163
Professional
Warming Drawer



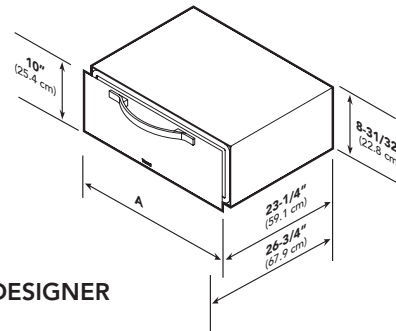
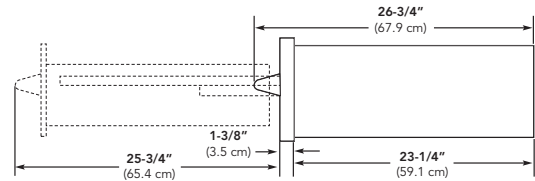
DEWD171/101
Designer
Warming Drawer



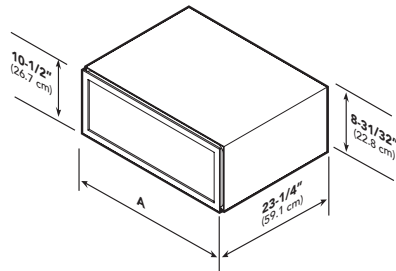
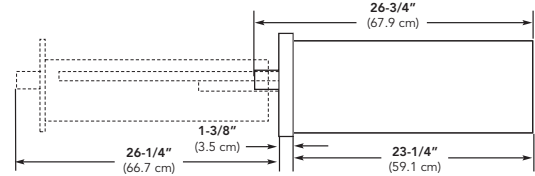
DFWD171/101
Custom Front
Warming Drawer



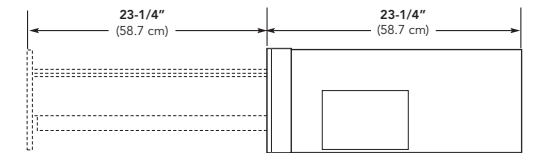
PROFESSIONAL



DESIGNER



CUSTOM FRONT



	VEWD173/103/163	DEWD171/101	DFWD171/101
Overall width (A)	26-1/2" (67.3 cm)/29-1/2" (74.9 cm)/ 35-1/4" (89.5 cm)	26-1/2" (67.3 cm)/ 29-1/2" (74.9 cm)	26" (66.0 cm)/ 29" (73.7 cm)
Overall height (from bottom)	10" (25.4 cm)	10" (25.4 cm)	10-1/2" (26.7 cm)
Overall depth (from rear)			
To end of handle		26-3/4" (67.9 cm)	
With drawer fully extended	50-3/8" (128.0 cm)	50-7/8" (129.2 cm)	46-1/2" (118.1 cm)
Interior width	17-1/4" (43.8 cm)/20-1/2" (52.1 cm)/ 25" (63.5 cm)	20-1/2" (52.1 cm)/ 17-1/4" (43.8 cm)	17-1/4" (43.8 cm)/ 20-1/2" (52.1 cm)
Interior height		6" (15.2 cm)	
Interior depth		22-3/4" (27.8 cm)	
Approx. ship weight	80 lbs. (36.0 kg)/90 lbs. (40.5 kg)/ 110 lbs. (49.5 kg)	80 lbs. (36.0 kg)/ 90 lbs. (40.5 kg)	80 lbs. (36.0 kg)/ 90 lbs. (40.5 kg)


**UTILITY
REQUIREMENTS**

GAS

- Not applicable


ELECTRICAL

- Hardwire direct with separate 15-amp minimum 2-wire with ground circuit
- 120 VAC/50 – 60 Hz
- Maximum amp usage—
 - o 27"W. models—3.6 (425 watts)
 - o 30"W. models—3.8 (450 watts)
 - o 36"W. models—4.6 (550 watts)


PLUMBING

Not applicable

Installation Requirements
ACCESS REQUIREMENTS

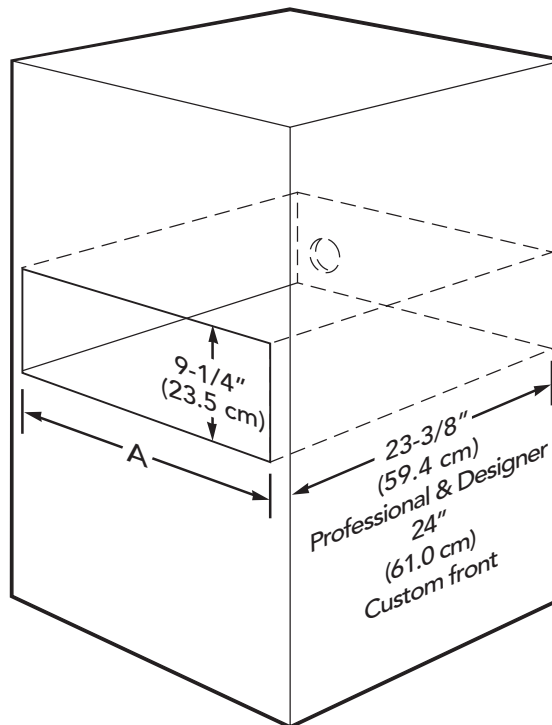

VEWD173/103/163
Professional
Warming Drawer



DEWD171/101
Designer
Warming Drawer



DFWD171/101
Custom Front
Warming Drawer



	VEWD173/103/163	DEWD171/101	DFWD171/101
Cutout width (A)	25-1/4" (64.1 cm)/28-1/4" (71.8 cm)/ 34" (86.4 cm)	25-1/4" (64.1 cm)/ 28-1/4" (71.8 cm)	25-1/4" (64.1 cm)/ 28-1/4" (71.8 cm)
Cutout height	9-1/4" (23.5 cm)	9-1/4" (23.5 cm)	9-5/8" (24.4 cm)
Cutout depth	23-3/8" (59.4 cm)	23-3/8" (59.4 cm)	24" (61.0 cm)



✦ Installation Notes & Accessories

Handle Kits

- For use with custom front (DFWD) warming drawers
- For use on locally supplied full overlay panels
- Handles allow full overlay products to coordinate with other Professional & Designer products
- Kit includes one handle and installation hardware

Model	Description	Approx. ship wt. lbs. (kg)
PHK23-SS	Professional handle for DFWD170/100 (Stainless Steel)	5 (2.3)
PHK23-BR	Professional handle for DFWD170/100 (Brass)	5 (2.3)
DKH18-SS	Designer handle for DFWD170 (Stainless Steel)	5 (2.3)
DKH18-BR	Designer handle for DFWD170 (Brass)	5 (2.3)
DKH20-SS	Designer handle for DFWD100 (Stainless Steel)	5 (2.3)
DKH20-BR	Designer handle for DFWD100 (Brass)	5 (2.3)

Pan/Lid Set

- Five heavy-gauge stainless steel commercial pans with lids
 - Two 2-1/2"D. by 12"L. by 7"W. pans
 - Two 4"D. by 12"L. by 7"W. pans
 - One 4"D. by 12"L. by 10-1/2"W. pan

Model	Description	Approx. ship wt. lbs. (kg)
PAN-VEWD	Pans/lids	10 (4.5)

Compliance Information



WARRANTY INFORMATION*

- One-year full warranty—complete product
- Five-year limited warranty—electric elements
- Ninety-day limited warranty—cosmetic parts such as glass, painted, and decorative items

*For complete warranty see Use & Care Guide. Warranty valid on Viking products shipped within the United States and Canada.



Free Manuals Download Website

<http://myh66.com>

<http://usermanuals.us>

<http://www.somanuals.com>

<http://www.4manuals.cc>

<http://www.manual-lib.com>

<http://www.404manual.com>

<http://www.luxmanual.com>

<http://aubethermostatmanual.com>

Golf course search by state

<http://golfingnear.com>

Email search by domain

<http://emailbydomain.com>

Auto manuals search

<http://auto.somanuals.com>

TV manuals search

<http://tv.somanuals.com>