



Standard Features & Accessories

All models include

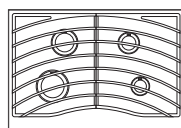
- Four sealed burners with brass flame ports and porcelain cast iron caps
 - Left front—16,000 BTU high/ 3,400 BTU low
 - Left rear—12,000 BTU high/ 1,700 BTU low
 - Right front—6,000 BTU high/ 950 BTU low
 - Right rear—8,000 BTU high/ 1,200 BTU low
- **Exclusive** SureSpark™ Ignition System for all burners
- Continuous grate cooking surface
- One-piece tooled top with large spill collection area around burners
- Heavy-duty stainless steel control knobs with push-to-turn safety feature

- **Exclusive** Vari-Speed Dual Flow™ convection system with 8-1/2" diameter fan blade—largest in the industry; patented works bi-directionally for maximum airflow and excellent cooking results
- **Exclusive** Rapid Ready™ preheat system provides super fast preheating
- Concealed 10-pass dual bake element provides finer temperature control and makes cleanup easy
- 10-pass broiler with heat reflector
- High performance cooking modes include Bake, Convection Bake, TruConvec™ Convection Cooking, Convection Roast, Hi, Med and Low Broil, Convection Broil, Convection

Dehydrate, Convection Defrost and Self-Clean

- Halogen oven lighting
- Three heavy-duty racks/six porcelain coated rack positions
- **Exclusive** 30"W. Ovens: largest self-clean, convection ovens
 - Overall 25-5/16"W. x 16-1/2"H. x 19-1/2" D. - 4.7 cubic feet
 - AHAM standard 25-5/16"W. x 16-1/2"H. x 16-13/16"D. - 4.1 cubic feet
- Shipped standard with stainless steel island trim*

Model Options



DSCD130-4B
30"W. Four Burner Range

FINISH DETAILS FOR ALL MODELS

- Stainless Steel (SS), Black (BK), White (WH), Metallic Silver (MS), Graphite Gray (GG), Stone Gray (SG), Taupe (TP), Biscuit (BT), Cotton White (CW), Oyster Gray (OG), Golden Mist (GM), Lemonade (LE), Sage (SA), Mint Julep (MJ), Sea Glass (SE), Iridescent Blue (IB), Viking Blue (VB), Pumpkin (PM), Racing Red (RR), Apple Red (AR), Burgundy (BU), Plum (PL), Chocolate (CH), and Cobalt Blue (CB).
 - Finish designates door front, lower front panel, and side panels.
- All finishes have stainless steel burner pan, black porcelain grates, black knob grips and stainless steel switches.
- White (WH)
 - Finish designates door front, lower front panel, side panels and burner pan.
 - Has gray porcelain grates, gray black porcelain burner caps, gray knob grips and stainless steel switches.
- All finishes have brushed stainless handles and control panel.

*Shown throughout with accessory 8" high backguard. See **Installation Notes & Accessories** for details.

ORDERING INSTRUCTIONS

First specify model number, and then color code (DSCD130-4BSS). If ordering optional LP conversion, specify code at end (DSCD130-4BSSLP).



★ Please see **Installation Notes & Accessories** for important installation information including backguard, high-shelf, island trim, and curb base front.



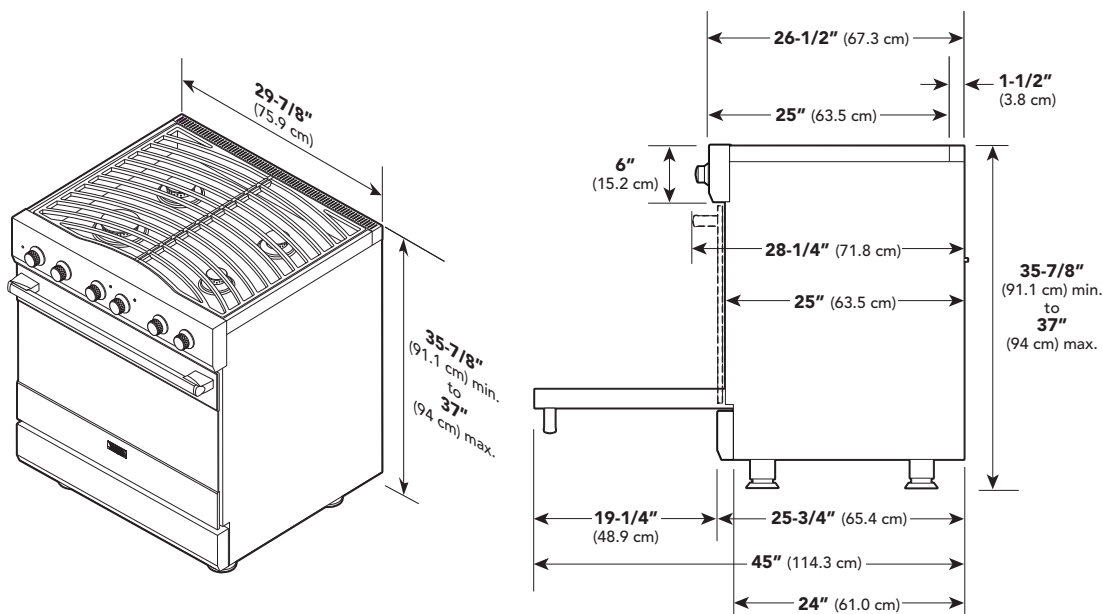
Star-K Kosher Certification for use on the Jewish Sabbath or Jewish holidays

Dimensions & Specifications

PRODUCT DIMENSIONS & DOOR SWING



DSCD130-4B
30"W. Four Burner Range



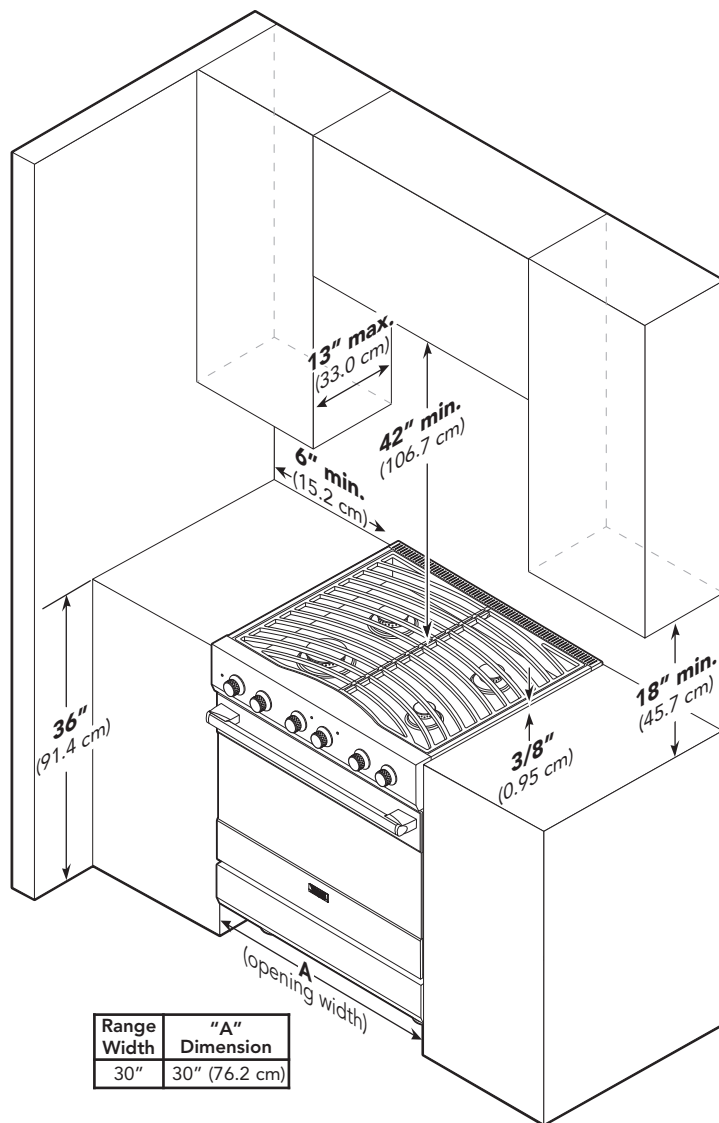
DSCD130-4B

Overall width	29-7/8" (75.9 cm)
Overall height	
Base height	
To top of side trim	35-7/8" (91.1 cm) min. to 37" (94.0 cm) max.
Legs adjust (with "spindles" fully extended)	1-1/8" (2.9 cm)
Additions to base height	
To top of island trim	Add 0" (0.0 cm)
To top of 6" backguard	Add 6" (15.2 cm)
To top of high-shelf	Add 18-3/16" (46.2 cm)
Overall depth (from rear)	
To front of side panel	25" (63.5 cm)
To front of door	25-3/4" (65.4 cm)
To front of landing edge	26-1/2" (67.3 cm)
To front of door handle	28-1/4" (71.8 cm)
Oven	
Interior width	25-5/16" (64.6 cm)
Interior height	16-1/2" (41.9 cm)
Interior depth	Overall - 19-1/2" (49.5 cm)/AHAM - 16-13/16" (42.7 cm)
Overall interior size	Overall - 4.7 cu. ft./AHAM - 4.1 cu. ft.



Dimensions & Specifications

CLEARANCE DIMENSIONS



Minimum clearances from adjacent combustible construction

- Cooking surface and below, i.e., 36" (91.4 cm) and below
 - o Sides—0"
 - o Rear—0" with 8" backguard or high-shelf; 0" with island trim and non-combustible rear wall; 6" (15.2 cm) with island trim and combustible rear wall
 - o Top grate support—36" (91.4 cm)
- Above cooking surface, i.e., above 36" (91.4 cm)
 - o Sides—6" (15.2 cm)
 - o Within 6" (15.2 cm) side clearance, wall cabinets no deeper than 13" (33.0 cm) must be minimum 18" (45.7 cm) above cooking surface
- o Wall cabinets directly above product must be minimum 42" (106.7 cm) for sealed top burners above cooking surface
- Use range only with factory supplied legs
 1. This range may be installed directly adjacent to existing 36" (91.4 cm) high base cabinets. **Important:** The top grate support **must** be 3/8" (0.95 cm) above the adjacent base cabinet countertop. This may be accomplished by raising the unit using the adjustment spindles on the legs.
 2. The range **cannot** be installed directly adjacent to sidewalls, tall cabinets, tall appliances, or other side vertical surfaces above 36" (91.4 cm) high.
- There must be a minimum of 6" (15.2 cm) side clearance from the range to such combustible surfaces above the 36" (91.4 cm) counter height.
- 3. Within the 6" (15.2 cm) side clearance to combustible vertical surfaces above 36" (91.4 cm), the maximum wall cabinet depth must be 13" (33.0 cm) and wall cabinets within this 6" (15.2 cm) side clearance must be 18" (45.7 cm) above the 36" (91.4 cm) high countertop.
- 4. Wall cabinets above the range must be a minimum of 42" (106.7 cm) above the range cooking surface for the full width of the range. This minimum height requirement does not apply if a rangehood is installed over the cooking surface.



UTILITY REQUIREMENTS



GAS

- Shipped natural gas standard; field convert to LP/propane with optional accessory kit or order as LP by adding LP after color code
- Accepts standard residential 1/2" ID gas service line
- Gas manifold pressure
 - o Natural gas 5.0" W.C.P.
 - o LP/Propane 10.0" W.C.P.



ELECTRICAL

- 240-208 VAC 60 Hz electrical connection box on product, connect with locally supplied 3-wire, flexible cord or "pigtail" rated 40 amp. 125-250 VAC minimum. Cord must be agency approved for use with household electric ranges.

- Maximum amp usage—
 - o 30"W. 4B—240V - 25.4 amp
 - o 208V - 22.9 amp



PLUMBING

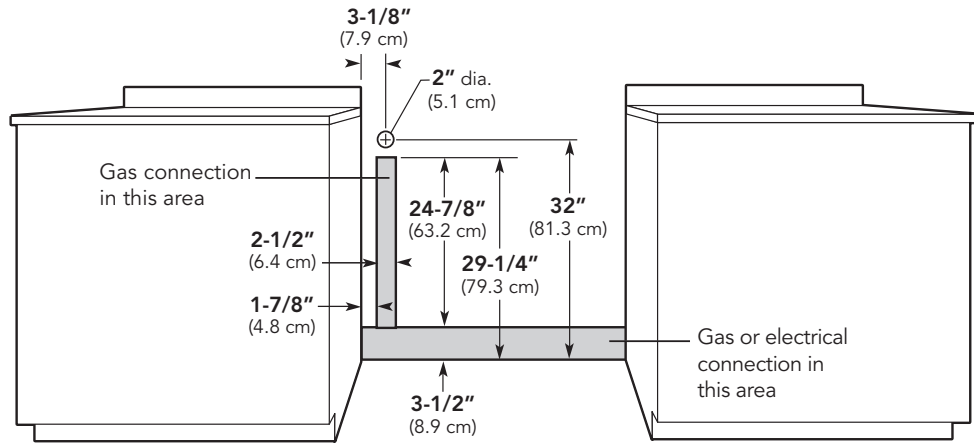
Not applicable

Installation Requirements

ACCESS REQUIREMENTS



DSCD130-4B
30"W. Four Burner Range



Note: Ground plug and electrical wire toward the direction of the electrical outlet.

DSCD130-4B

Surface burner rating

Left front	16,000 BTU Nat. (4.7 kW)/15,500 BTU LP (4.5 kW)
Left rear	12,000 BTU Nat. (3.5 kW)/11,500 BTU LP (3.4 kW)
Center	
Right rear	8,000 BTU Nat. (2.0 kW)/7,500 BTU LP (1.9 kW)
Right front	6,000 BTU Nat. (1.5 kW)/5,500 BTU LP (1.4 kW)

** Top of grates should be 3/8" (1.0 cm) above countertop.



✪ Installation Notes & Accessories

A backguard, high-shelf, or island trim must be used for all installations.

Island Trim

- Stainless Steel (SS)
- Coordinates with all finishes
- For island/peninsula installation
- Can replace backguard if wall is non-combustible
- Included and shipped automatically with the 30"W. range

Model	Description	Approx. ship wt. lbs. (kg)
DS30TII	30"W. island trim	11 (5.0)

6"H. Backguard

- Stainless Steel (SS)
- Coordinates with all finishes

Model	Description	Approx. ship wt. lbs. (kg)
DS30BG6	30"W. backguard	14 (6.3)

10"H. Backguard

- Stainless Steel (SS)
- Coordinates with all finishes

Model	Description	Approx. ship wt. lbs. (kg)
DS30BG10	30"W. backguard	18 (8.1)

High-shelf

- Stainless Steel (SS)
- Coordinates with all finishes

Model	Description	Approx. ship wt. lbs. (kg)
DS30HS24	30"W. high-shelf	45 (20.3)

Countertop Side Trim

- Stainless Steel (SS)
- Coordinates with all finishes
- One pair of trim
- Installs on side of unit; overlaps countertop

Model	Description	Approx. ship wt. lbs. (kg)
P24CST	24"D. side trim	2 (0.9)

Countertop Rear Trim

- Stainless Steel (SS)
- Coordinates with all finishes

Model	Description	Approx. ship wt. lbs. (kg)
P30CRT	30"W. countertop rear trim	2 (0.9)



✦ Installation Notes & Accessories

Curb Base Front

- Stainless Steel (SS)
- Coordinates with all finishes
- Front only
- Conceals range legs
- Completely assembled
- Easily clips onto range legs after range is installed

Custom Curb Base Front

- Remove stainless steel front and recycle
- Conceals range legs
- Attach locally supplied trim
- Completely assembled
- Easily clips onto range legs after range is installed
- Provides drop-in range look

Model	Description	Approx. ship wt. lbs. (kg)
P30CBF4	30"W. curb base front	9 (4.1)

LP/Propane Conversion Kit

- Allows for field conversion of range from natural gas to LP

Model	Description	Approx. ship wt. lbs. (kg)
LPKDDF	Natural to LP/propane conversion kit	2 (0.9)

Compliance Information



WARRANTY INFORMATION*

- One-year full warranty—complete product
- Ten-year limited warranty—porcelain oven and porcelain inner door panel
- Five-year limited warranty—surface burners, griddle burners, grill burners, and oven burner
- Ninety-day limited warranty—cosmetic parts such as glass, painted, and decorative items

* For complete warranty see *Use & Care Guide*. Warranty valid on Viking products shipped within the United States and Canada.

Free Manuals Download Website

<http://myh66.com>

<http://usermanuals.us>

<http://www.somanuals.com>

<http://www.4manuals.cc>

<http://www.manual-lib.com>

<http://www.404manual.com>

<http://www.luxmanual.com>

<http://aubethermostatmanual.com>

Golf course search by state

<http://golfingnear.com>

Email search by domain

<http://emailbydomain.com>

Auto manuals search

<http://auto.somanuals.com>

TV manuals search

<http://tv.somanuals.com>