



OUTDOOR—COOKING

Built-In Electric 27"/30"/36" Warming Drawer



Standard Features & Accessories

All models include

- Agency-certified for outdoor use
- Commercial-type size and styling
 - Heavy-duty drawer handle and perimeter trim
 - Stainless steel roller-bearing glides for smooth drawer operation
 - Large, easy-to-read knob with bezel
- **Exclusive**—largest drawer pan available
 - 27"W. models—1.4 cu. ft.
 - 30"W. models—1.6 cu. ft.
 - 36"W. models—2.0 cu. ft.
 - **Exclusive**—Only 36"W. warming drawer available
- Temperature settings from 90°F – 250°F
- Low setting is ideal for warming

- plates or proofing bread
- High setting keeps soups and sauces piping hot
- Powerful heating element
 - VEWD173T—425 watts
 - VEWD103T—450 watts
 - VEWD163T—550 watts
- Power "on" indicator light cycles on and off with heating element
- Versatile moisture-selector control regulates the amount of moisture released from the drawer
 - Adjustments can be made without opening the drawer and affecting the interior temperature and humidity

- Open vent to keep foods crisp
- Close vent to keep foods moist
- **Exclusive**—two stainless steel half-sized low racks and moisture cup (both removable)
 - Racks have slots for heat distribution
 - Racks cover entire bottom of pan for the largest loads or can be used for only half coverage by removing one section
 - Exclusive—moisture cup holds water to increase interior humidity
- Entire drawer removes for easy cleaning
- Power on indicator light cycles on and off with heating element

Model Options



VEWD173T
27"W. Warming Drawer



VEWD103T
30"W. Warming Drawer



VEWD163T
36"W. Warming Drawer

FINISH DETAILS FOR ALL MODELS

- Stainless Steel (SS)
 - Black knob.
- Brass Trim Option (BR)—nameplate, handle/brackets, and knob bezel. Brass components have a durable protective coating for maintenance-free normal use.

ORDERING INSTRUCTIONS

If ordering optional brass trim, specify code at end (VEWD173TSSBR).





★ Please see Installation Notes & Accessories for important information, including pans/lids.

Dimensions & Specifications

PRODUCT DIMENSIONS & DRAWER EXTENSION



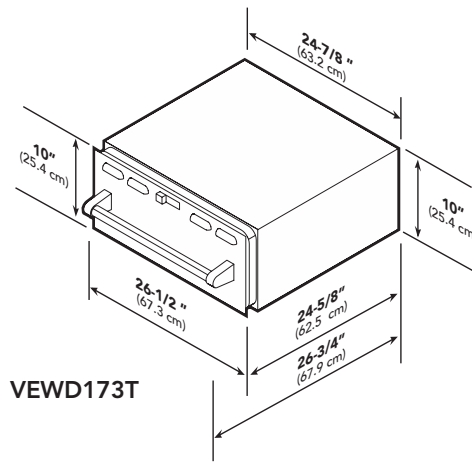
VEWD173T
27"W. Warming Drawer



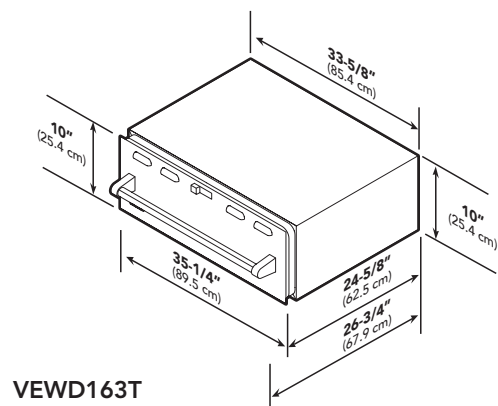
VEWD103T
30"W. Warming Drawer



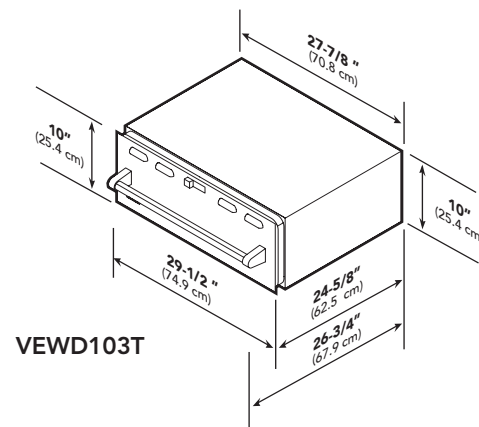
VEWD163T
36"W. Warming Drawer



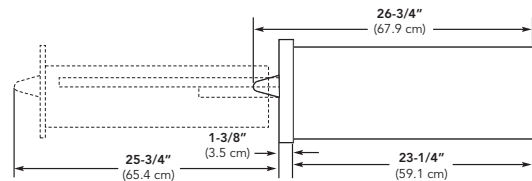
VEWD173T



VEWD163T



VEWD103T



	VEWD173T	VEWD103T	VEWD163T
Overall width	26-1/2" (67.3 cm)	29-1/2" (74.9 cm)	35-1/4" (89.5 cm)
Overall height (from bottom)	10" (25.4 cm)		
Overall depth (from rear)			
To front edge of trim		24-5/8" (62.5 cm)	
To end of handle		26-3/4" (67.9 cm)	
With drawer fully extended		50-3/8" (128.0 cm)	
Interior dimensions			
Interior width	17-1/4" (43.8 cm)	20-1/2" (52.1 cm)	25" (63.5 cm)
Interior height	6" (15.2 cm)		
Interior depth	22-3/4" (27.8 cm)		
Approx. ship weight	95 lbs. (42.8 kg)	108 lbs. (48.6 kg)	124 lbs. (55.8 kg)





OUTDOOR—COOKING

Built-In Electric 27"/30"/36" Warming Drawer



UTILITY REQUIREMENTS



GAS
Not applicable



- ELECTRICAL**
- Hardwire direct with separate 15-amp minimum 2-wire with ground circuit
 - 120 VAC/50 – 60 Hz
 - Max. amp usage
 - o VEWD173T— 3.6 (425 watts)
 - o VEWD103T — 3.8 (450 watts)
 - o VEWD163T— 4.6 (550 watts)



PLUMBING
Not applicable

Installation Requirements

ACCESS REQUIREMENTS



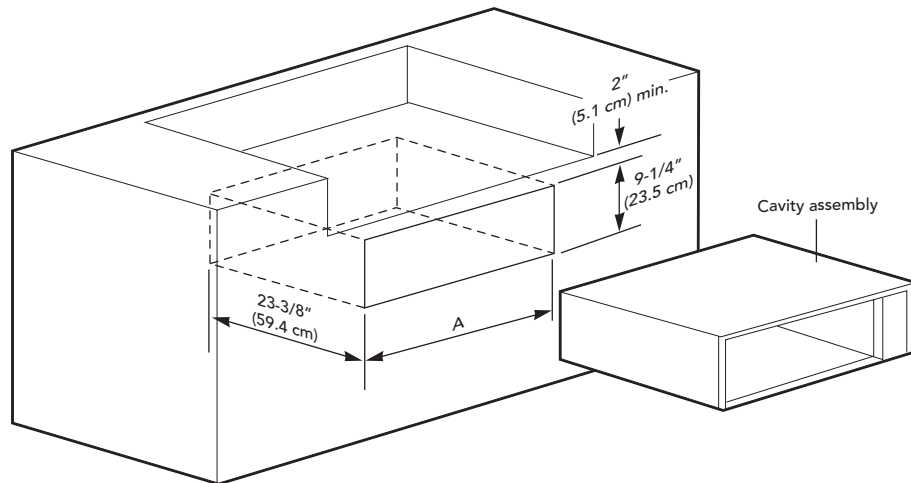
VEWD173T
27"W. Warming Drawer



VEWD103T
30"W. Warming Drawer



VEWD163T
36"W. Warming Drawer



Note: Do NOT install this unit below cabinets. Do NOT mount this unit in a wall. When installing this unit directly below other units, only install underneath Viking built-in products.

	VEWD173T	VEWD103T	VEWD163T
Cutout width (A)	25-1/4" (64.1 cm)	28-1/4" (71.8 cm)	34" (86.4 cm)
Cutout height	9-1/4" (23.5 cm)		
Cutout depth	23-3/8" (59.4 cm)		





OUTDOOR—COOKING

Built-In Electric 27"/30"/36" Warming Drawer



✦ Installation Notes & Accessories

Stainless Steel Cabinetry-Grill Bases w/Warming Drawer Access

- Stainless Steel (SS)

Model	Description	Approx. ship wt. lbs. (kg)
VQWO3010	Base for 30" grill and 30" warming drawer	177 (77.6)
VQWO4120	Base for 41" grill and 36" warming drawer	226 (102.5)
VQWO5311	Base for 53" grill and 36" warming drawer	265 (120.2)

Pans/Lids

- Five heavy-gauge stainless steel commercial pans with lids
 - Two 2-1/2"D. x 12"L. x 7"W. pans
 - Two 4"D. x 12"L. x 7"W. pans
 - One 4"D. x 12"L. x 10-1/2"W. pan

Model	Description	Approx. ship wt. lbs. (kg)
PAN-VEWD	Pans/lid set	10 (4.5)

Compliance Information



WARRANTY SUMMARY*

- One-year full warranty—complete product
- Five-year limited warranty—heating elements
- Lifetime limited warranty—rust through on all stainless steel components
- Ninety-day limited warranty—cosmetic parts such as glass, painted, and decorative items

* For complete warranty see *Use & Care Guide*. Warranty valid on Viking products shipped within the United States and Canada.



Free Manuals Download Website

<http://myh66.com>

<http://usermanuals.us>

<http://www.somanuals.com>

<http://www.4manuals.cc>

<http://www.manual-lib.com>

<http://www.404manual.com>

<http://www.luxmanual.com>

<http://aubethermostatmanual.com>

Golf course search by state

<http://golfingnear.com>

Email search by domain

<http://emailbydomain.com>

Auto manuals search

<http://auto.somanuals.com>

TV manuals search

<http://tv.somanuals.com>