



Standard Features & Accessories

All models include

- Capacity—15.9 cu. ft. (450.0 L)
 - 84"H./24"D.
- ProChill™ Temperature Management System
 - Variable-speed single compressor system includes the quietest, most technologically advanced compression available
 - Electronic controls maintain the temperature selection within 1°F
 - Multi-channel airflow system removes odors and excess humidity
- Six adjustable half-width wire shelves
- One full-width metal shelf
- Two full-width slide-out wire baskets
- Factory-installed automatic ice maker
- One full-width ice storage drawer with two metal ice bins
- Full-extension precision ball-bearing glides on all baskets and drawers
- Three adjustable aluminum door bins with tempered glass front
- Adaptive defrost
- All-metal freezer interior
- Top-mounted and front-venting sealed refrigeration system
- Dual magnet and spring-assisted door closer mechanism
- Robust, heavy-duty door hinges
- Power interruption switch to turn off all power
- Automatic energy-saving exterior moisture control
- Open door alarm sounds and glows to warn that door has been ajar for three minutes
- Adjustable door stops standard—90°, 110°, or 120° swing
- Sabbath Mode
- For installation of two units together, separate grille kit must be purchased
- Must be ordered right or left hinge. (As you face unit, RIGHT has hinge on right side and handle on left side; LEFT has hinge on left side and handle on right side.)

Model Options



VCFB304/VIFB304

Professional/Professional Integrated

- FINISH DETAILS FOR VCFB/VIFB MODELS**
- Stainless Steel (SS), Black (BK), White (WH), Metallic Silver (MS), Graphite Gray (GG), Stone Gray (SG), Taupe (TP), Biscuit (BT), Cotton White (CW), Oyster Gray (OG), Golden Mist (GM), Lemonade (LE), Sage (SA), Mint Julep (MJ), Sea Glass (SE), Iridescent Blue (IB), Viking Blue (VB), Pumpkin (PM), Racing Red (RR), Apple Red (AR), Burgundy (BU), Plum (PL), Chocolate (CH), and Cobalt Blue (CB).
 - Finish codes designate door front. Stainless steel upper grille, side trim, and handle (with chrome-plated brackets); black lower kickplate.
 - Brass Trim Option (BR)—nameplate, handle/brackets, and side trim. Brass components have a durable protective coating for maintenance-free normal use.



DDFB304
Designer

- FINISH DETAILS FOR DDFB MODEL**
- Stainless Steel (SS), Black (BK), White (WH), Metallic Silver (MS), Graphite Gray (GG), Stone Gray (SG), Taupe (TP), Biscuit (BT), Cotton White (CW), Oyster Gray (OG), Golden Mist (GM), Lemonade (LE), Sage (SA), Mint Julep (MJ), Sea Glass (SE), Iridescent Blue (IB), Viking Blue (VB), Pumpkin (PM), Racing Red (RR), Apple Red (AR), Burgundy (BU), Plum (PL), Chocolate (CH), and Cobalt Blue (CB).
 - Finish codes designate door front. Stainless steel upper grille, side trim, and handle, with black lower kickplate.
 - Brass Trim Option (BR)—handle. Brass components have a durable protective coating for maintenance-free normal use.



DFFB304
Custom Front

- FINISH DETAILS FOR DFFB MODEL**
- Handle not included—opt for custom handle, or purchase a Viking Professional Series or Designer Series handle kit (see **Installation Notes & Accessories**).
 - See **Custom Panels** section for more information and additional specifications.

ORDERING INSTRUCTIONS

First specify model number, followed by hinge preference ("R" for right or "L" for left), and then color code (VCFB304**RSS**). If ordering optional brass trim, specify code at end (VCFB304**RSSBR**).



★ Please see Installation Notes & Accessories for important information, including panel, grille, trim, and handle kits.



ALL MODELS

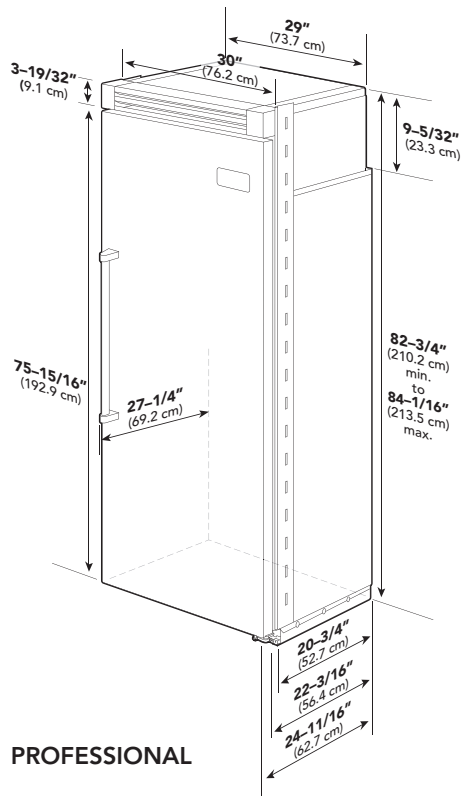
Star-K Kosher Certification for use on the Jewish Sabbath or Jewish holidays

Dimensions & Specifications

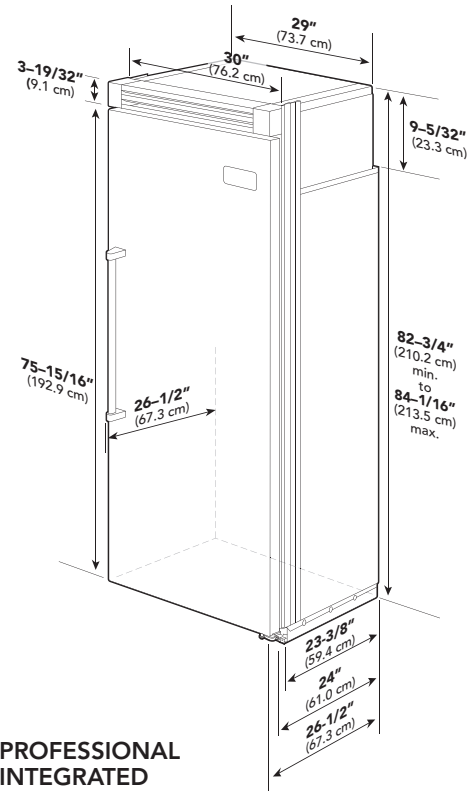
PRODUCT DIMENSIONS



VCFB304/VIFB304
Professional/
Professional Integrated



PROFESSIONAL



PROFESSIONAL
INTEGRATED

	VCFB304	VIFB304
Overall width	30" (76.2 cm)	
Overall height (from bottom)	82-3/4" (210.2 cm) min. to 84-1/16" (213.5 cm) max.	
Overall depth (from rear)		
To front edge of side trim	22-3/16" (56.4 cm)	23-3/8" (59.4 cm)
To front of top grille	24-11/16" (62.7 cm)	24" (61.0 cm)
To front of handle	27-1/4" (69.2 cm)	26-1/2" (67.3 cm)
Approx. ship weight	530 lbs. (238.5 kg)	530 lbs. (238.5 kg)



★ Please see **Installation Notes & Accessories** for important information, including panel, grille, trim, and handle kits.



ALL MODELS

Star-K Kosher Certification for use on the Jewish Sabbath or Jewish holidays

Dimensions & Specifications

PRODUCT DIMENSIONS

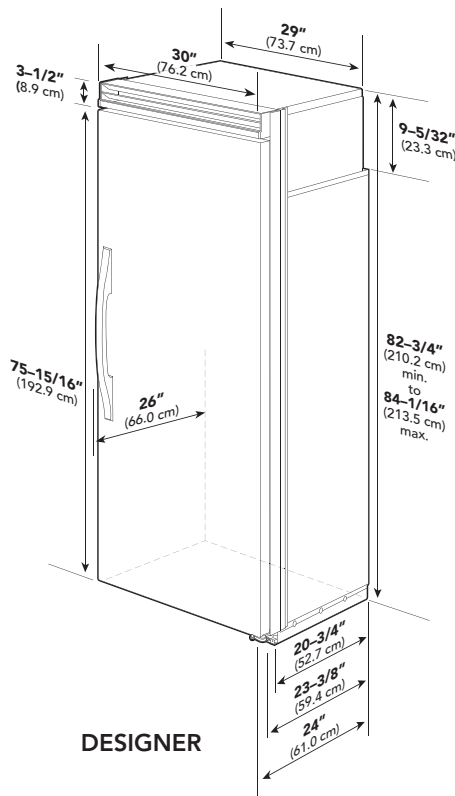


DDFB304
Designer

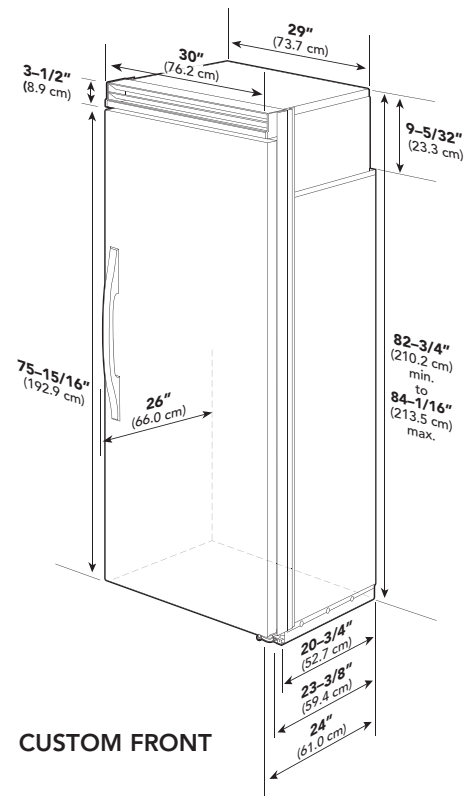


DFFB304
Custom Front

See **Custom Panels** section for more information and additional specifications.



DESIGNER



CUSTOM FRONT

	DDFB304	DFFB304
Overall width	30" (76.2 cm)	
Overall height (from bottom)	82-3/4" (210.2 cm) min. to 84-1/16" (213.5 cm) max.	
Overall depth (from rear)		
To front edge of side trim	23-3/8" (59.4 cm)	23-13/16" (60.5 cm)
To front of top grille	24" (61.0 cm)	24-3/4" (62.9 cm)
To front of handle	26" (66.0 cm)	Varies
Approx. ship weight	525 lbs. (236.3 kg)	490 lbs. (220.5 kg)



Dimensions & Specifications

DOOR SWING

- Adjustable door stops standard—90°, 110°, or 120° swing



VCFB304/VIFB304
Professional/
Professional Integrated

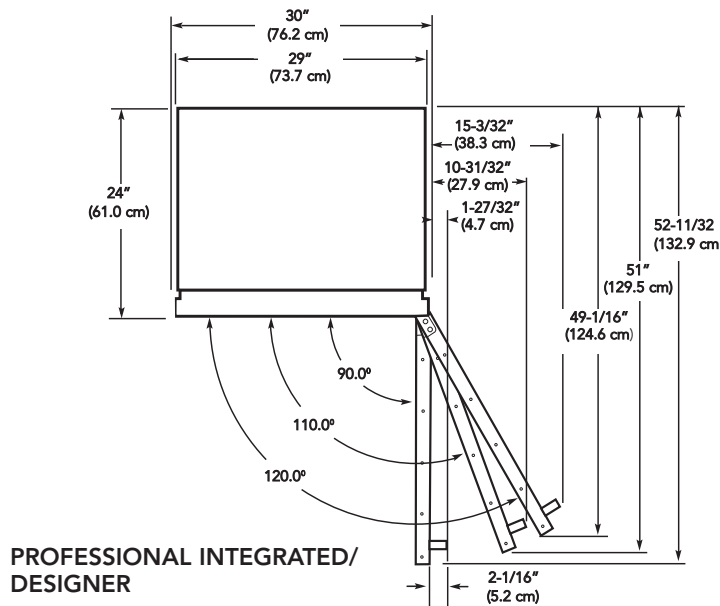
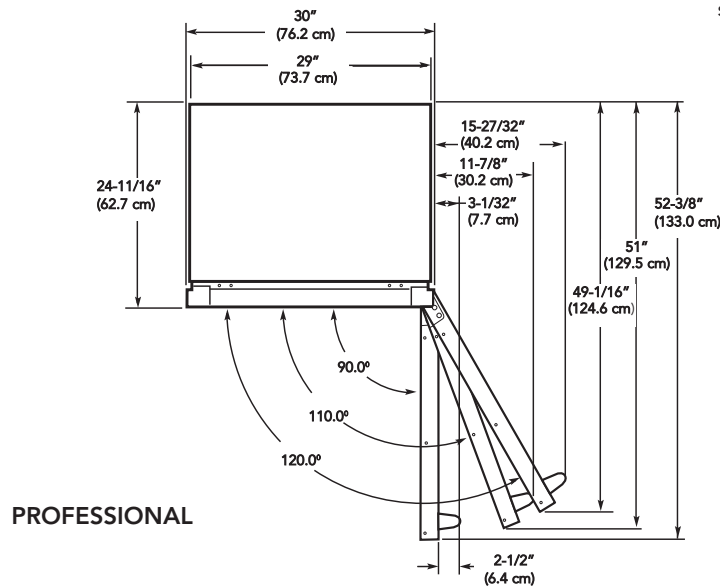


DDFB304
Designer



DFFB304
Custom Front

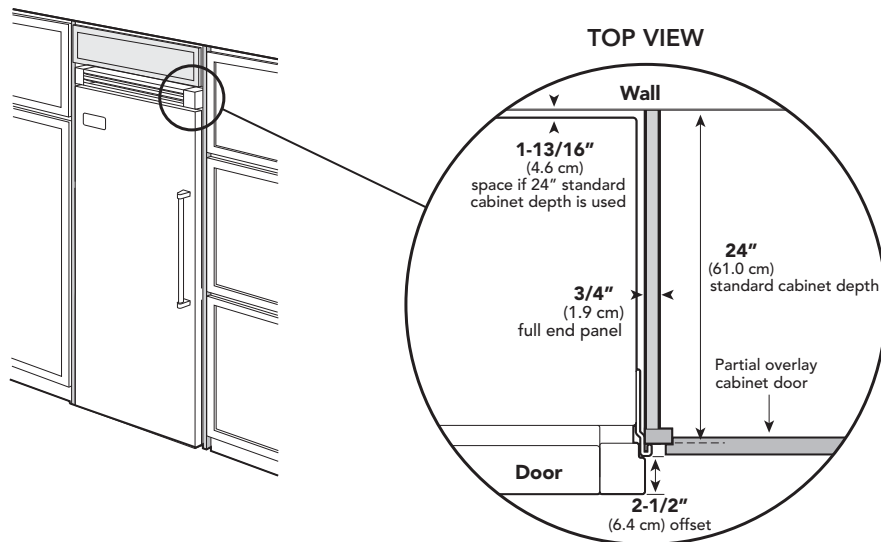
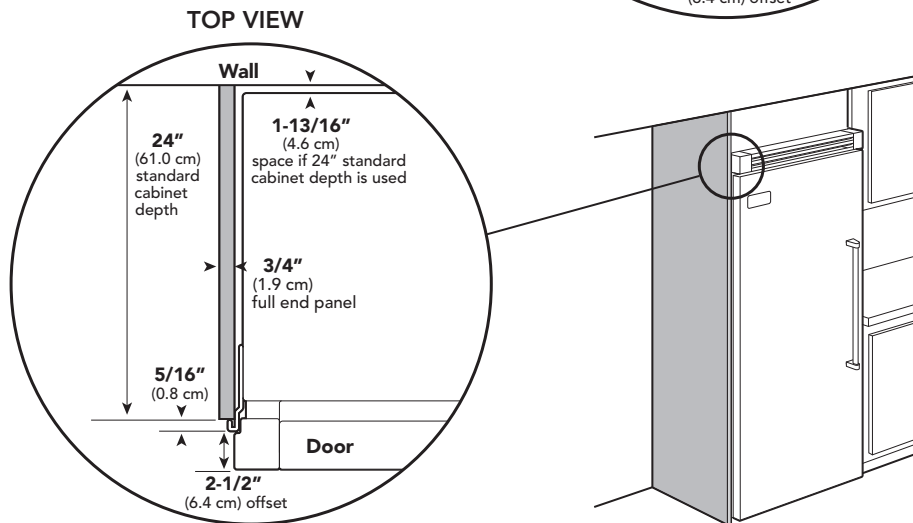
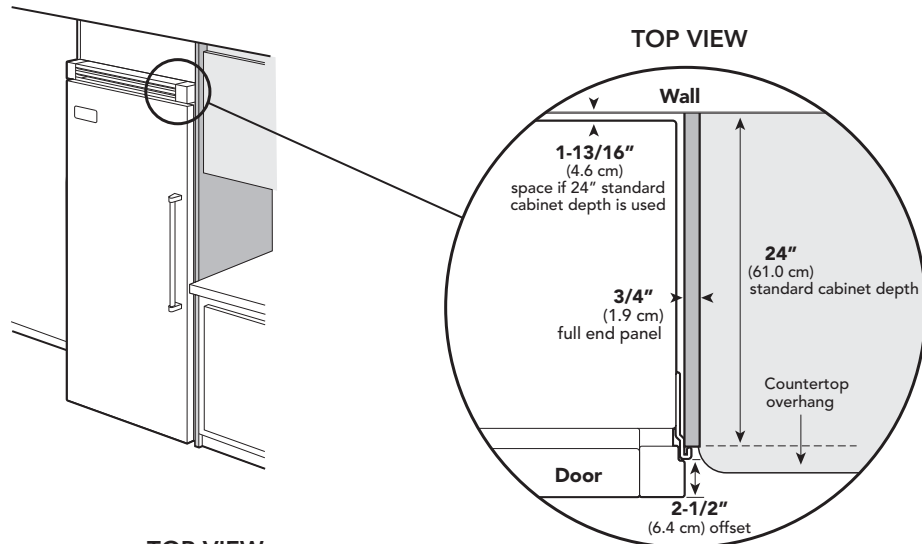
See **Custom Panels** section for more information and additional specifications.





Dimensions & Specifications

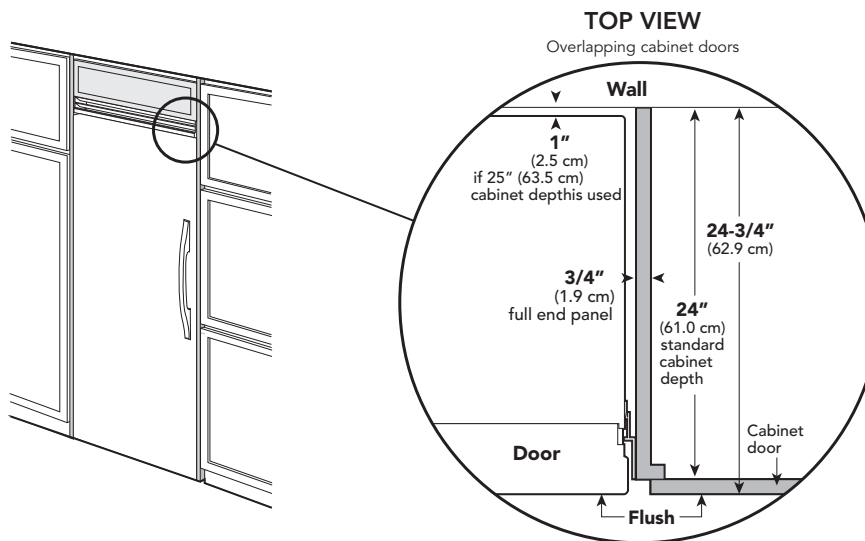
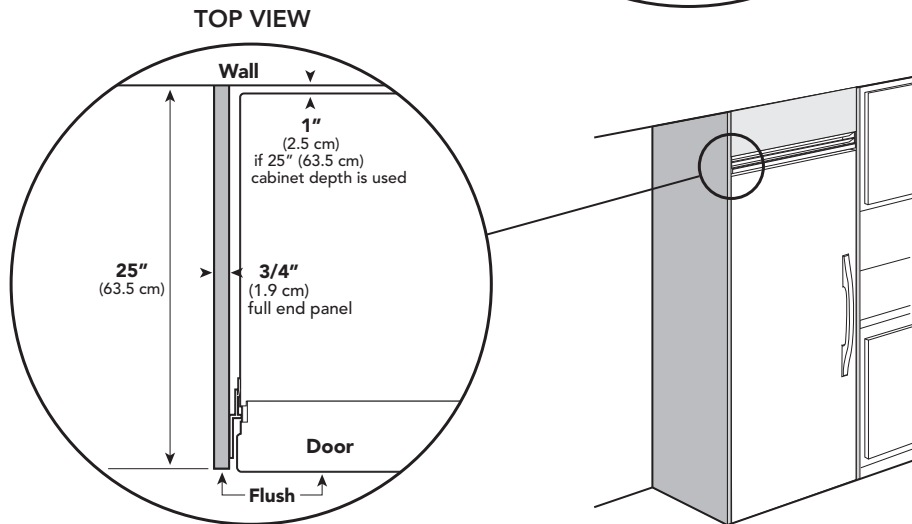
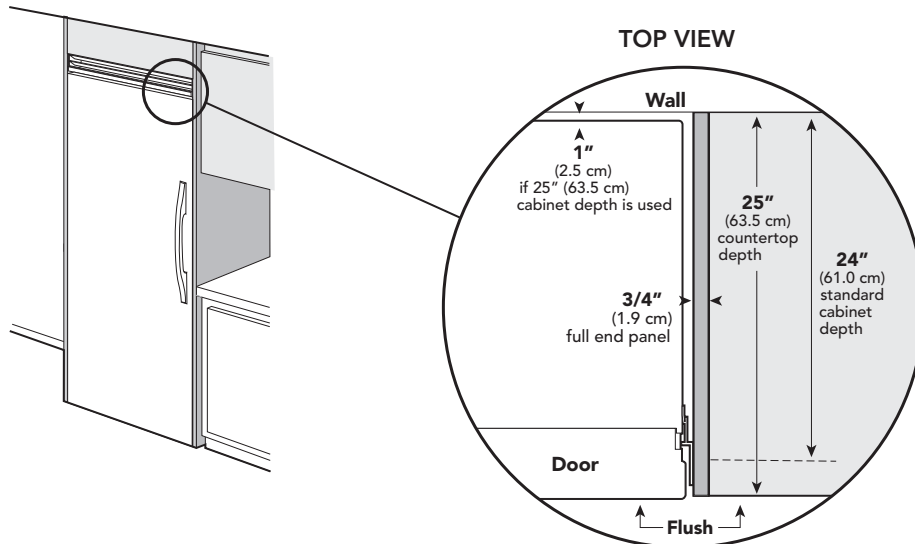
CLEARANCE DIMENSIONS—PROFESSIONAL





Dimensions & Specifications

CLEARANCE DIMENSIONS—PROFESSIONAL INTEGRATED/DESIGNER





UTILITY REQUIREMENTS



GAS
Not applicable



- ELECTRICAL**
- Three-wire cord with grounded three-prong plug attached to product
 - 115 VAC/60 Hz; 15 amp dedicated circuit
 - Maximum amp usage—9.1
 - Estimated energy usage—601 kWh/year



- PLUMBING**
- Inlet waterline requirements—1/4" copper tubing
 - 20 psi min.; 120 psi max.

Installation Requirements

ACCESS REQUIREMENTS – Single Installation



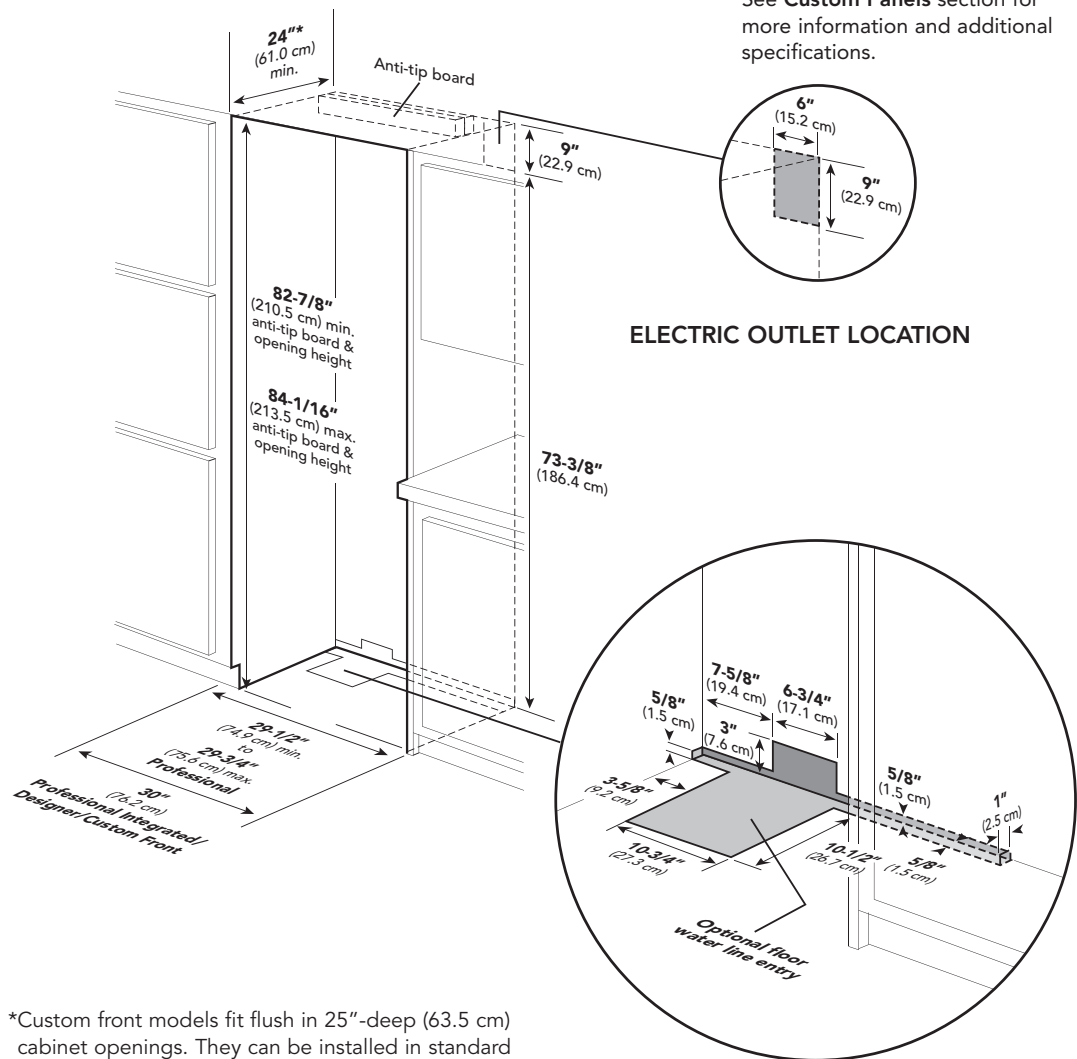
VCFB304/VIFB304
Professional/
Professional Integrated



DDFB304
Designer



DFFB304
Custom Front



See **Custom Panels** section for more information and additional specifications.

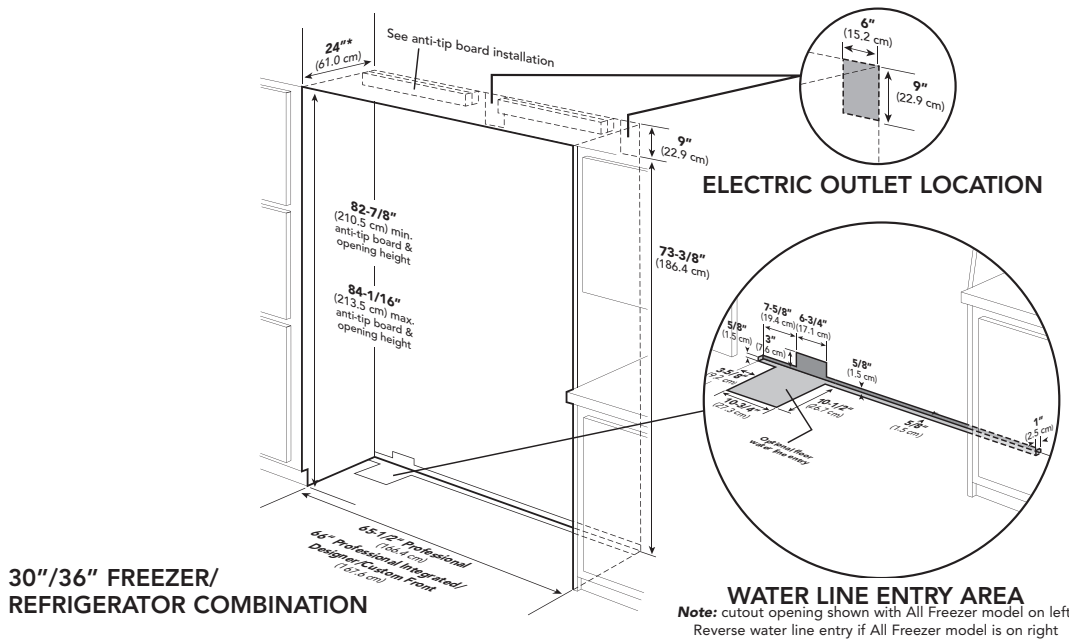
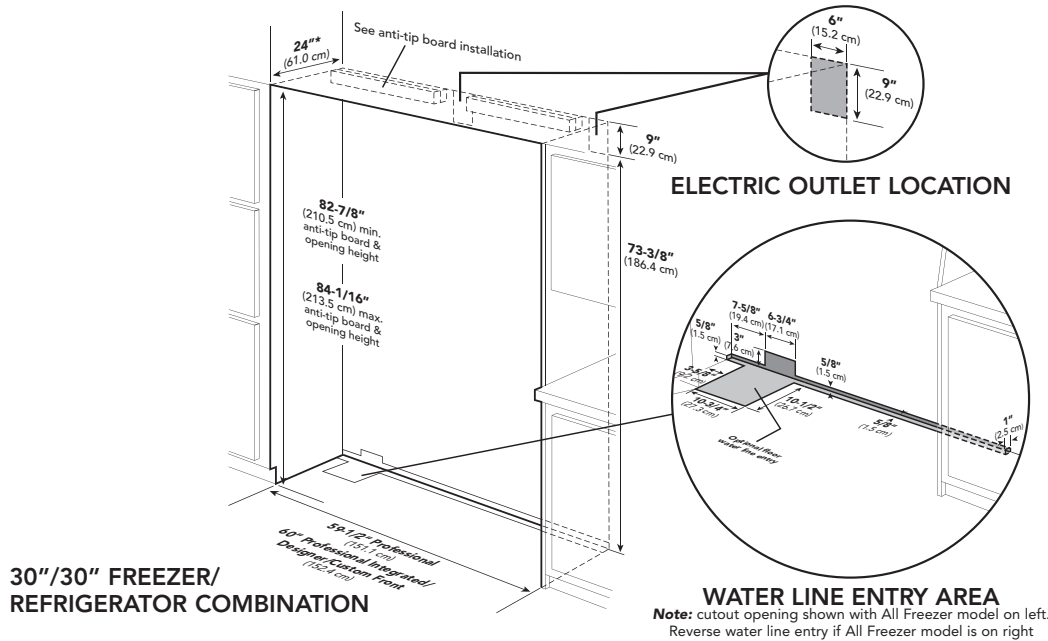
*Custom front models fit flush in 25"-deep (63.5 cm) cabinet openings. They can be installed in standard 24"-deep openings. The door faces and top grille will protrude 3/4" (1.9 cm) into the room.

	VCFB304	VIFB304	DDFB304	DFFB304
Cutout width	29-1/2" (74.9 cm) min. to 29-3/4" (75.6 cm) max.	30" (76.2 cm)	30" (76.2 cm)	30" (76.2 cm)
Cutout height	82-7/8" (210.5 cm) min. to 84-1/16" (213.5 cm) max.			
Cutout depth	24" (61.0 cm) min.*			



Installation Requirements

ACCESS REQUIREMENTS – Dual Installation



*Custom front models fit flush in 25"-deep (63.5 cm) cabinet openings. They can be installed in standard 24"-deep openings. The door faces and top grille will protrude 3/4" (1.9 cm) into the room.

	VCFB304/VCRB304	VIFB304/VIRB304	DDFB304/DDR304	DFFB304/DFRB304
Cutout width	59-1/2" (151.1 cm)	60" (152.4 cm)	60" (152.4 cm)	60" (152.4 cm)
Cutout height	82-7/8" (210.5 cm) min. to 84-1/16" (213.5 cm) max.			
Cutout depth	24" (61.0 cm) min.*			
	VCFB304/VCRB364	VIFB304/VIRB364	DDFB304/DDR364	DFFB304/DFRB364
Cutout width	65-1/2" (166.4 cm)	66" (167.6 cm)	66" (167.6 cm)	66" (167.6 cm)
Cutout height	82-7/8" (210.5 cm) min. to 84-1/16" (213.5 cm) max.			
Cutout depth	24" (61.0 cm) min.*			



★ Installation Notes & Accessories

Side Panel Kits

- Stainless Steel (SS)
- Panels provide finished, freestanding look; unit must still be secured to the wall
- Kit includes one panel and installation hardware

Model	Description	Approx. ship wt. lbs. (kg)
PSSPL2	Professional side panel left (VCFB)	45 (20.2)
PSSPR2	Professional side panel right (VCFB)	45 (20.2)
DSSPL2	Designer side panel left (VIFB/DDFB/DFFB)	45 (20.2)
DSSPR2	Designer side panel right (VIFB/DDFB/DFFB)	45 (20.2)

Side Panel Hardware Kit

- For use with Designer built-in refrigerator/freezers
- Hardware allows installation of custom side panels
- Kit includes brackets, screws, and installation instructions to mount panels on left and right side

Model	Description	Approx. ship wt. lbs. (kg)
SPHKDS	Side panel hardware	3 (1.4)

Top Panel Kit

- Stainless Steel (SS)
- Panel provides finished, freestanding look; unit must still be secured to the wall
- Kit includes one panel and installation hardware

Model	Description	Approx. ship wt. lbs. (kg)
TOP-30	30"W. top panel	21 (9.5)

Top Grille Kits

- Stainless Steel (SS)
- 60"W. top grille kit—for use with installation of two 30"W. all refrigerators/all freezers side-by-side
- 66"W. top grille kit—for use with installation of one 30"W. and one 36"W. all refrigerators/all freezers side-by-side
- Grille creates a single unit look
- Kit includes one full-length grille, center cabinet trim connector, and all installation hardware

Model	Description	Approx. ship wt. lbs. (kg)
PGK60-SS	Professional 60"W. grille (for two VCRB/VCFB units)	21 (9.5)
PGK66-SS	Professional 66"W. grille (for two VCRB/VCFB units)	23 (10.4)
IGK60-SS	Professional Integrated 60"W. grille (for two VIRB/VIFB units)	21 (9.5)
IGK66-SS	Professional Integrated 66"W. grille (for two VIRB/VIFB units)	23 (10.4)
DGK60-SS	Designer 60"W. grille (for two DDRB/DDFB/DFRB/DFFB units)	21 (9.5)
DGK66-SS	Designer 66"W. grille (for two DDRB/DDFB/DFRB/DFFB units)	23 (10.4)

Center Trim Kit

- Stainless Steel (SS)
- Kit includes center cabinet trim connector to install two custom front units with wood top grille

Model	Description	Approx. ship wt. lbs. (kg)
FCTK-SS	Center trim	5 (2.3)





REFRIGERATION

Built-In 30" W. All Freezer



Handle Kits

- For use with custom front freezers
- For use on locally supplied custom front panels
- Handles allow refrigerator/freezers with custom front panel to coordinate with other Professional and Designer products
- Kit includes handle(s) and installation hardware

Model	Description	Approx. ship wt. lbs. (kg)
PHK26-SS	Professional one handle (Stainless Steel)	7 (3.2)
PHK26-BR	Professional one handle (Brass)	7 (3.2)
DHK25-SS	Designer one handle (Stainless Steel)	7 (3.2)
DHK25-BR	Designer one handle (Brass)	7 (3.2)
PHKDFBB-SS	Professional two handles (Stainless Steel)	10 (4.5)
PHKDFBB-BR	Professional two handles (Brass)	10 (4.5)
HKFDSS-SS	Designer two handles (Stainless Steel)	10 (4.5)
HKFDS-BR	Designer two handles (Brass)	10 (4.5)

Compliance Information



WARRANTY SUMMARY*

- Two-year full warranty—complete unit
- Six-year full warranty—sealed refrigeration system
- Twelve-year limited warranty—sealed refrigeration system (includes compressor, condenser, dryer/strainer, evaporator, and connecting tubing)
- Ninety-day limited warranty—cosmetic parts such as glass, painted, and decorative items

*For complete warranty see *Use & Care Guide*. Warranty valid on Viking products shipped within the United States and Canada.



Free Manuals Download Website

<http://myh66.com>

<http://usermanuals.us>

<http://www.somanuals.com>

<http://www.4manuals.cc>

<http://www.manual-lib.com>

<http://www.404manual.com>

<http://www.luxmanual.com>

<http://aubethermostatmanual.com>

Golf course search by state

<http://golfingnear.com>

Email search by domain

<http://emailbydomain.com>

Auto manuals search

<http://auto.somanuals.com>

TV manuals search

<http://tv.somanuals.com>