



Standard Features & Accessories

All models include

- Bin capacity—35 lbs.
- 3/4" square clear ice
- Produces up to 35 lbs. of ice per day
- Heavy-duty ice scoop included
- Draining process automatically removes old ice to ensure a constant supply of fresh ice
- Equipped with cleaning mode
- Install as undercounter or freestanding unit
- Must be ordered right or left hinge (As you face unit, RIGHT has hinge on right side and handle on left side; LEFT has hinge on left side and handle on right side)

Model Options



VUIM150D
Professional

FINISH DETAILS FOR VUIM MODEL

- Solid door
- Stainless Steel (SS), Black (BK), White (WH), Metallic Silver (MS), Graphite Gray (GG), Stone Gray (SG), Taupe (TP), Biscuit (BT), Cotton White (CW), Oyster Gray (OG), Golden Mist (GM), Lemonade (LE), Sage (SA), Mint Julep (MJ), Sea Glass (SE), Iridescent Blue (IB), Viking Blue (VB), Pumpkin (PM), Racing Red (RR), Apple Red (AR), Burgundy (BU), Plum (PL), Chocolate (CH), and Cobalt Blue (CB).
- Finish codes designate door front. Stainless steel handle with chrome-plated brackets, black exterior cabinet and white interior.
- Brass Trim Option (BR)—nameplate and handle/brackets. Brass components have a durable protective coating for maintenance-free normal use.



DUIM150D
Designer

FINISH DETAILS FOR DUIM MODEL

- Solid door
- Stainless Steel (SS), Black (BK), White (WH), Metallic Silver (MS), Graphite Gray (GG), Stone Gray (SG), Taupe (TP), Biscuit (BT), Cotton White (CW), Oyster Gray (OG), Golden Mist (GM), Lemonade (LE), Sage (SA), Mint Julep (MJ), Sea Glass (SE), Iridescent Blue (IB), Viking Blue (VB), Pumpkin (PM), Racing Red (RR), Apple Red (AR), Burgundy (BU), Plum (PL), Chocolate (CH), and Cobalt Blue (CB).
- Finish codes designate door front. Cast stainless steel handle, black exterior cabinet and white interior.
- Brass Trim Option (BR)—handle. Brass components have a durable protective coating for maintenance-free normal use.



DFIM150D
Custom Front

FINISH DETAILS FOR DFIM MODEL

- Black exterior cabinet and white interior.
- Handle not included—opt for custom handle, or purchase a Viking Professional Series or Designer Series handle kit (see **Installation Notes & Accessories**).
- Accepts 3/4"-thick custom wood front
- See **Custom Panels** section for more information and additional specifications.

ORDERING INSTRUCTIONS

First specify model number, followed by hinge preference ("R" for right or "L" for left), and then color code (VUIM150DRSS). If ordering optional brass trim, specify code at end (VUIM150DRSSBR).



★ Please see **Installation Notes & Accessories** for important information, including drain pump and handle kits.

Dimensions & Specifications

PRODUCT DIMENSIONS



VUIM150D
Professional

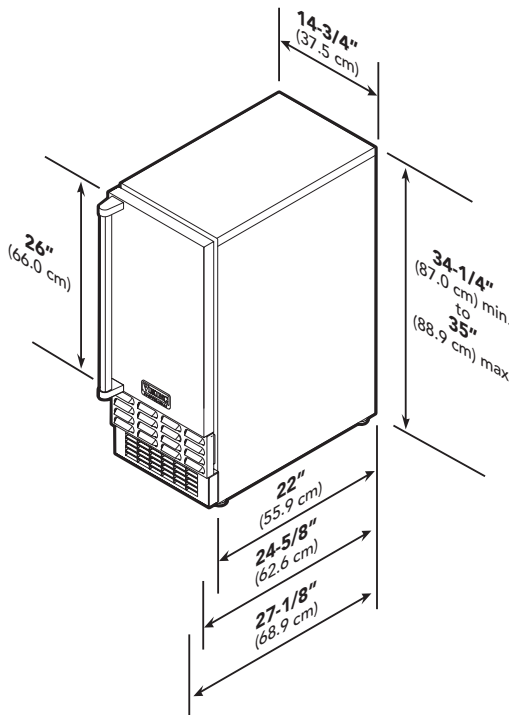


DUIM150D
Designer

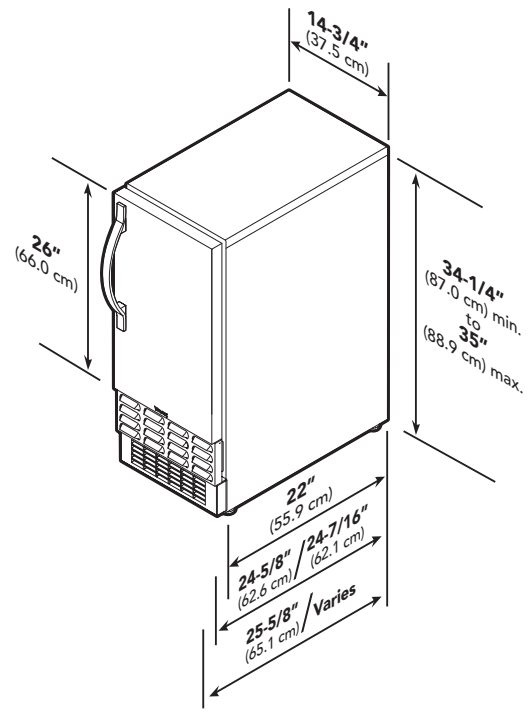


DFIM150D
Custom Front

See **Custom Panels** section for more information and additional specifications.



PROFESSIONAL



**DESIGNER/
CUSTOM FRONT**

	VUIM150D	DUIM150D	DFIM150D
Overall width		14-3/4" (37.5 cm)	
Overall height		34-1/4" (87.0 cm) min. to 35" (88.9 cm) max.	
Overall depth (from rear)			
To front of handle	27-1/8" (68.9 cm)	25-5/8" (65.1 cm)	Varies
With door open		37-9/16" (95.4 cm)	
Approx. ship weight		110 lbs. (49.5 kg)	



Dimensions & Specifications

DOOR SWING



VUIM150D
Professional

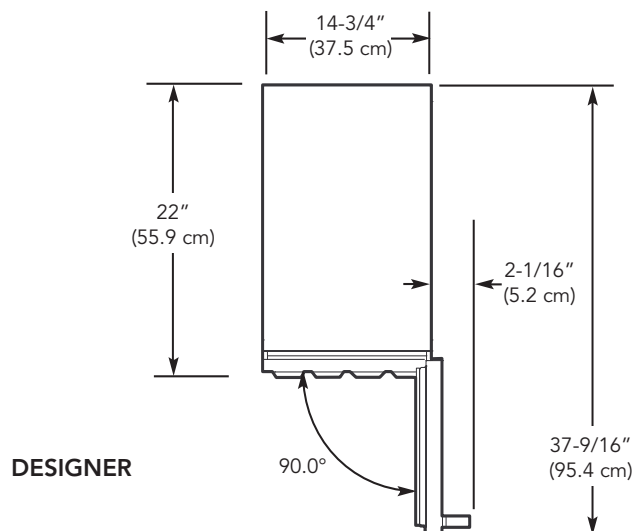
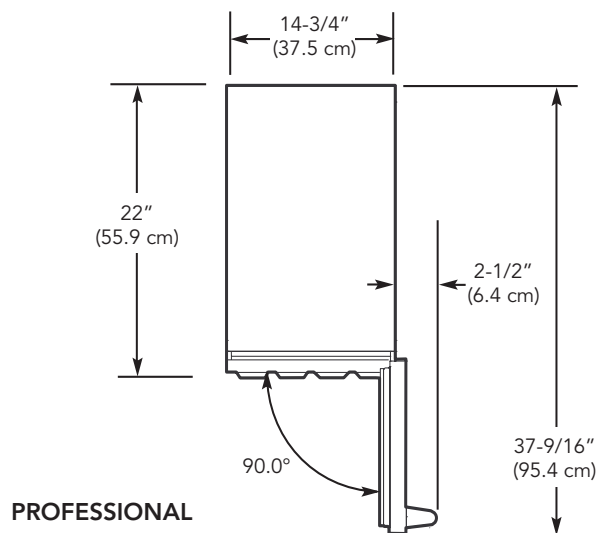


DUIM150D
Designer



DFIM150D
Custom Front

See **Custom Panels** section for more information and additional specifications.





UTILITY REQUIREMENTS



GAS
Not applicable



- ELECTRICAL**
- Three-wire cord with grounded three-prong plug attached to product
 - 115 VAC/60 Hz; 15 amp dedicated circuit
 - Maximum amp usage—3.0



- PLUMBING**
- Inlet waterline requirements—1/4" (0.64 cm) copper tubing
 - 20 psi min.; 120 psi max.

Installation Requirements

ACCESS REQUIREMENTS



VUIM150D
Professional

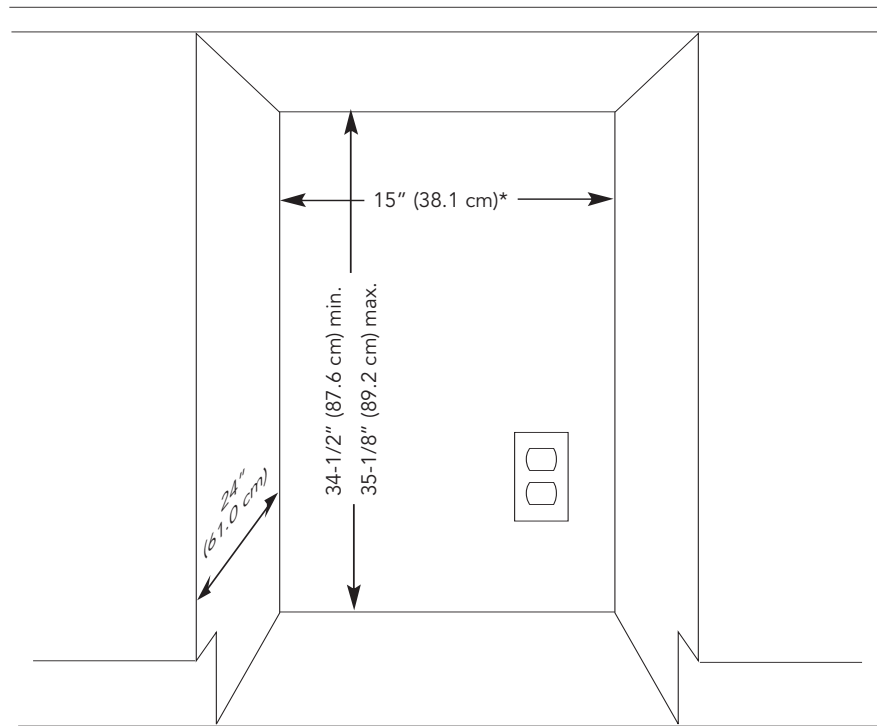


DUIM150D
Designer



DFIM150D
Custom Front

See **Custom Panels** section for more information and additional specifications.



*15" (38.1 cm) width for cabinet only; If door is recessed between cabinets, cutout must be 15-1/4" (38.7 cm).

All models	
Cutout width	15" (38.1 cm)*
Cutout height	34-1/2" (87.6 cm) min. to 35-1/8" (89.2 cm) max.
Cutout depth	24" (61.0 cm)



★ Installation Notes & Accessories

Handle Kits

- For use with custom front ice machine
- For use on locally supplied custom front panel
- Handles allow custom front products to coordinate with other Professional and Designer products
- Kit includes one handle and installation hardware

Model	Description	Approx. ship wt. lbs. (kg)
PHK23-SS	Professional handle (Stainless Steel)	5 (2.3)
PHK23-BR	Professional handle (Brass)	5 (2.3)
DHK18-SS	Designer handle (Stainless Steel)	5 (2.3)
DHK18-BR	Designer handle (Brass)	5 (2.3)

Sealed Reservoir Drain Pump Kit

- Exclusively for ice machines
- For use when floor drain is not available
- Completely sealed reservoir
- Unit shuts off power to ice machine in the event of a pump failure
- Special design makes the possibility of foreign material clogging pump very remote
- Check valve in discharge tube prevents discharge water from flowing back into the pump
- Supplied with two-wire with ground/three-prong plug for connection to 115V/60Hz and incorporates a power receptacle into which the the ice machine is plugged
- Kit includes one pump and other parts/hardware

Model	Description	Approx. ship wt. lbs. (kg)
DP-VUIM	Sealed reservoir drain pump	2 (0.9)

Compliance Information



WARRANTY SUMMARY*

- Two-year full warranty—complete unit
- Six-year full warranty—sealed refrigeration system (includes compressor, condenser, dryer/strainer, evaporator, and connecting tubing)
- Twelve-year limited warranty—sealed refrigeration system
- Ninety-day limited warranty—cosmetic parts such as glass, painted, and decorative items

*For complete warranty see *Use & Care Guide*. Warranty valid on Viking products shipped within the United States and Canada.



Free Manuals Download Website

<http://myh66.com>

<http://usermanuals.us>

<http://www.somanuals.com>

<http://www.4manuals.cc>

<http://www.manual-lib.com>

<http://www.404manual.com>

<http://www.luxmanual.com>

<http://aubethermostatmanual.com>

Golf course search by state

<http://golfingnear.com>

Email search by domain

<http://emailbydomain.com>

Auto manuals search

<http://auto.somanuals.com>

TV manuals search

<http://tv.somanuals.com>