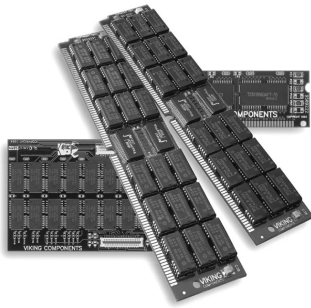


Viking Memory

INSTALLATION GUIDE

DIGITAL®

HiNote VP 700 Series



Manual No. 1005220 • Release 12/97, Rev. A

SPEED POWER PERFORMANCE

Digital HiNote VP 700 Series

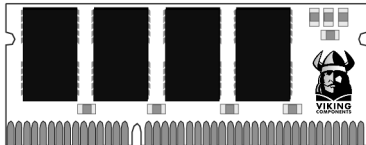
The Digital HiNote VP 700 Series comes standard with 32MB (16MB soldered + 16MB removable) of memory. It can be expanded to a maximum of 144MB by installing the following Viking Components memory options into its two available expansion slots.

Description

16MB SDRAM Memory Module
32MB SDRAM Memory Module
64MB SDRAM Memory Module

Viking P/N

DM7AB, RDM7AB
DM7AC, RDM7AC
DM7AD, RDM7AD



Caution:

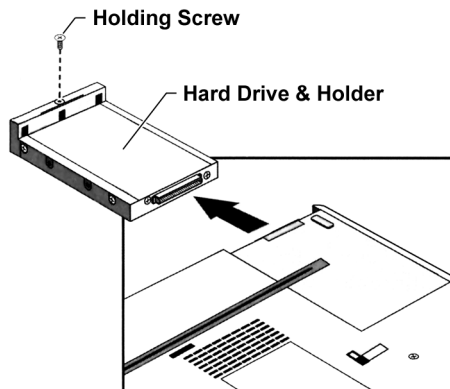
Electro Static Discharge (ESD) can damage electronic components. Before touching the memory module, ensure that you are discharged of static electricity by touching a grounded metal object.

INSTALLATION INSTRUCTIONS:

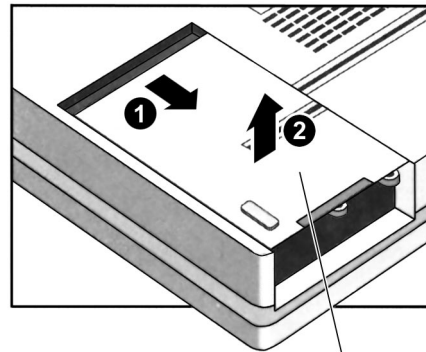
1. Turn the computer off and disconnect the AC power supply and any other cables from the unit.

Note: If the unit appears to be powered down, ensure that it is not in Suspend mode.

2. Turn the computer upside-down and rotate it so that you are facing the front of the system. Remove the battery from the system. If you are not familiar with this procedure, please refer to your computer's "Owner's Manual."

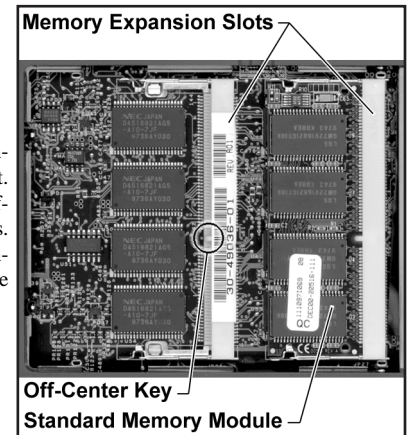


3. Locate the hard drive and its holder on the right-side of the bottom panel. Also locate the single holding screw on the hard drive holder. Remove only this screw with a small Phillips screwdriver. Then remove the hard drive by firmly pulling it out of its compartment.



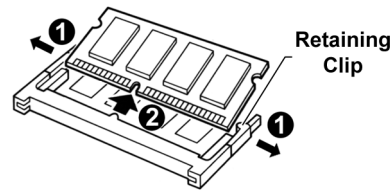
Memory Expansion Cover

4. Locate the memory expansion cover above the hard drive compartment. To remove the cover, first slide it to the right edge of the system about an eighth of an inch. Then lift the cover up.

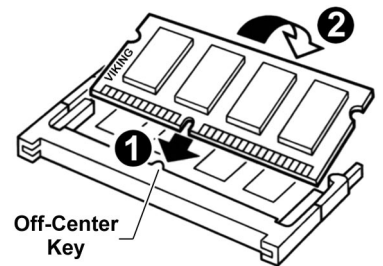


5. Locate the two memory expansion slots in the open compartment. Also notice the location of the off-center keys on the expansion slots. There will also be a standard memory module located in one of the expansion slots.

6. To upgrade your system to 144MB, the standard memory module will need to be removed. If you do not need to remove a memory module, please proceed to step 7. To remove a memory module, locate the metal retaining clips on both sides of the memory module. Gently pull both clips away from the module. Then lift the module out of its expansion slot.



7. To install a memory module, insert the module into an available expansion slot at an angle and then push it down until it clicks into place. To be certain that the module is installed correctly, ensure that the off-center notch on the module is aligned with the off-center notch of the expansion slot. The module can only be installed one way due to the position of the notch.



8. Replace the memory expansion cover to its original position.

9. Replace the hard drive and its connected holder into its compartment. Also replace and secure its single holding screw.

10. Insert the battery back into its compartment and turn the system right-side up.

11. Replace the AC power supply and any other cables you may have disconnected.

12. Open the display screen. The computer will automatically reconfigure itself to recognize the additional memory. The new memory can be verified during the POST routine at startup and at the SETUP utility.

The installation is now complete.

Free Manuals Download Website

<http://myh66.com>

<http://usermanuals.us>

<http://www.somanuals.com>

<http://www.4manuals.cc>

<http://www.manual-lib.com>

<http://www.404manual.com>

<http://www.luxmanual.com>

<http://aubethermostatmanual.com>

Golf course search by state

<http://golfingnear.com>

Email search by domain

<http://emailbydomain.com>

Auto manuals search

<http://auto.somanuals.com>

TV manuals search

<http://tv.somanuals.com>