

VIKING

TECHNICAL Practice

TELECOM SOLUTIONS FOR THE 21ST CENTURY

VE-9x12/VE-9x20

**Weatherproof
Enclosures**

March 26, 2002

Add Weatherproof Mounting to Your Viking Phone or Doorbox



The **VE-9x12** and **VE-9x20** provide the ultimate in weather protection for your Viking product!

These enclosures are constructed of cast aluminum and are made for years of outdoor service. The heavy-duty aluminum doors are labeled "**Telephone**" and have a gasket seal to keep out even the harshest weather. The **VE-9x12** allows you to choose from two panels that allow mounting many different Viking products.

Both the **VE-9x12** and **VE-9x20** are available in two high visibility colors: safety yellow or emergency red.

Features

- Heavy-duty cast aluminum construction
- Gasket sealed door
- Drip guard
- Universal mounting adapter panel
- 3/4" NPT conduit openings on top and bottom
- Available in two colors: safety yellow or emergency red
- Mounting holes for a standard RJ11 wall plate (**VE-9x12** with adapter panel 1)
- Hardware included
- Available with two adapter panels (**VE-9x12**)
- Optional **VE-PBL** lock and key set available
- Compatible with these Viking products:

Applications

- Parking lots
- Maintenance areas
- Building exteriors
- Swimming pools
- Play grounds
- Roadside help areas

Phone... 715.386.8861

info@vikingelectronics.com

http://www.vikingelectronics.com

<u>VE-9x12(R/Y)-1</u>	<u>VE-9x12(R/Y)-2</u>	<u>VE-9x20(R/Y)</u>
- E-1600A	- E-10	- K-1500-7
- E-1600-03A	- E-15	- K-1900-7
- E-1600-45A	- E-1600-20A	- K-1900-8
- E-20A	- E-30	
- K-1500P-W	- W-1000	R = Red
- K-1900W-2	- W-3000	Y = Yellow
- W-2000A		

Specifications

Dimensions: See "Specifications," page 2

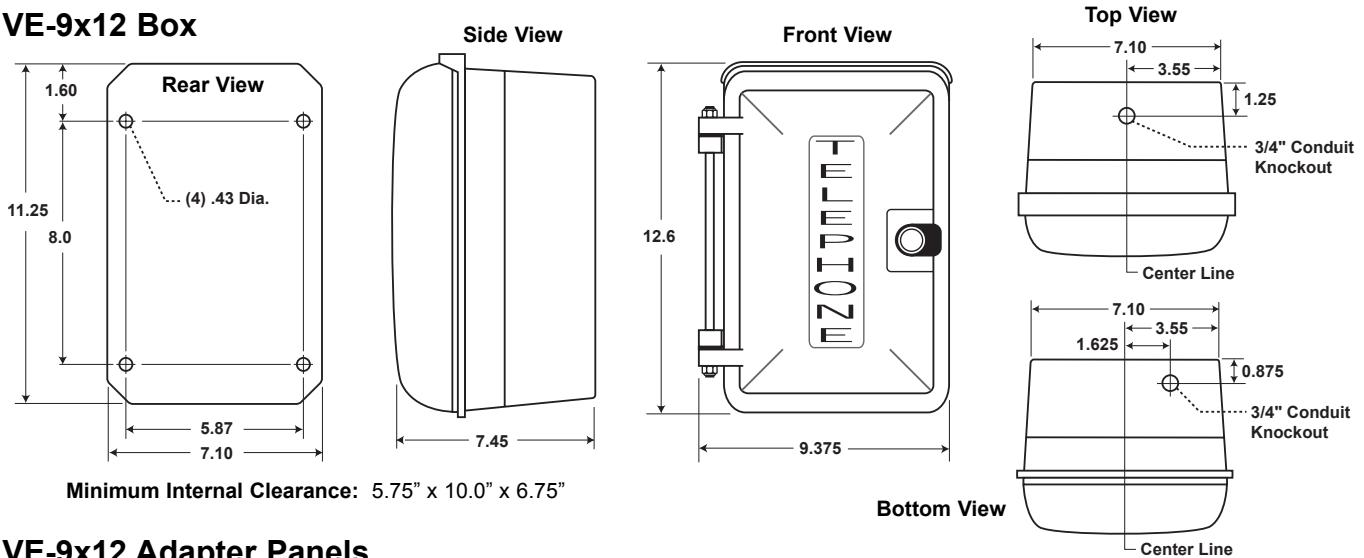
Shipping Weight: **VE-9x12** - 5.4 kg (12 lbs), **VE-9x20** - 7.3 kg (16 lbs)

Colors: Red with white lettering or yellow with red lettering

Conduit Opening: 3/4" NPT with plug, top and bottom

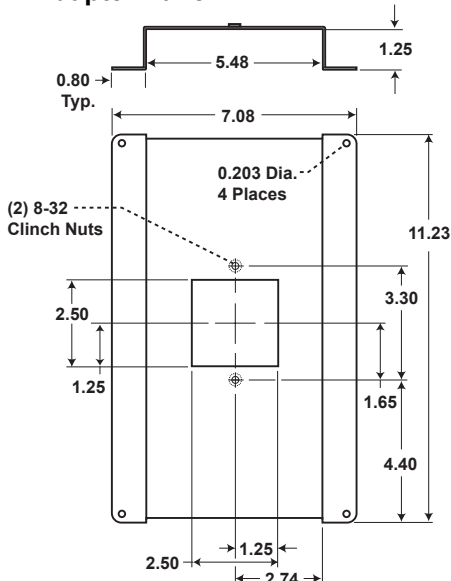
Specifications

A. VE-9x12 Box



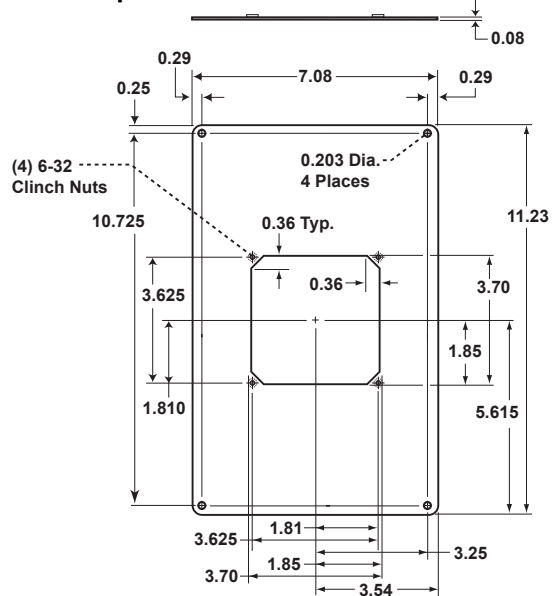
B. VE-9x12 Adapter Panels

1. Adapter Panel 1



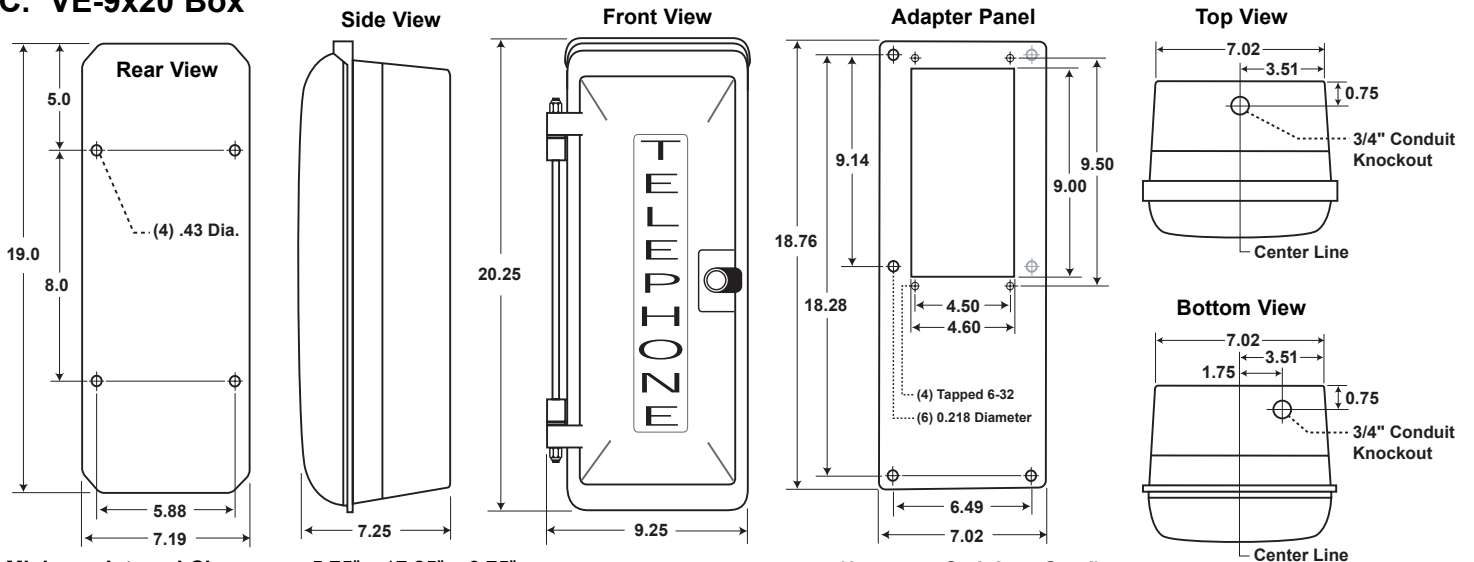
(12 gauge Aluminum Black Powder Paint)
Minimum Internal Clearance: 5.75" x 10.0" x 5.25"

2. Adapter Panel 2



(12 gauge Aluminum Black Powder Paint)
Minimum Internal Clearance: 5.75" x 10.0" x 4.0"

C. VE-9x20 Box



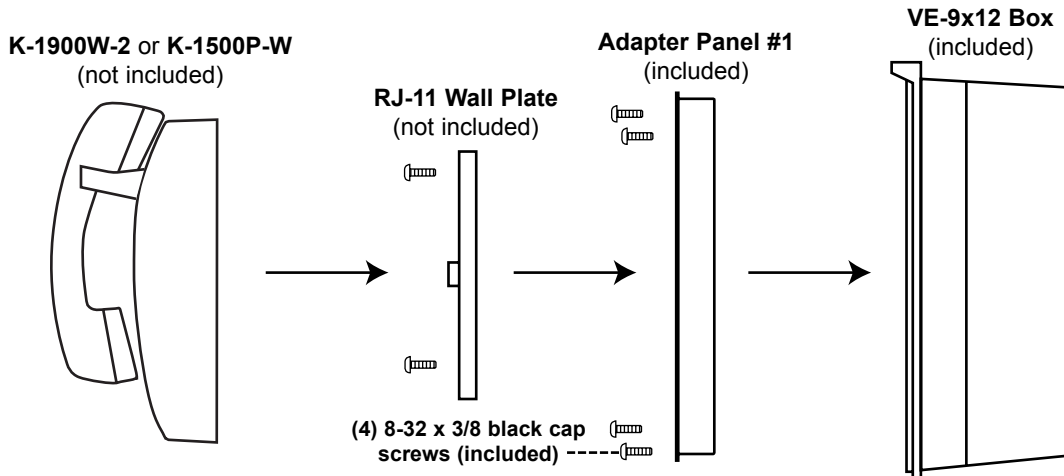
Minimum Internal Clearance: 5.75" x 17.25" x 6.75"

(14 gauge Stainless Steel)
Minimum Internal Clearance: 5.75" x 17.25" x 4.0"

Installation

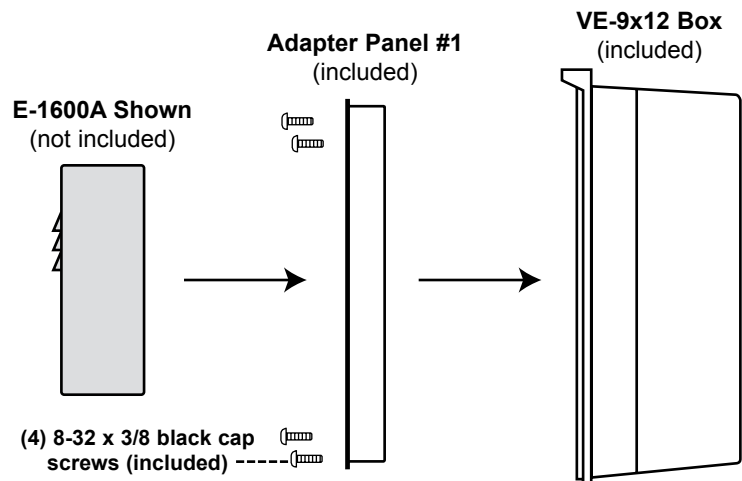
A. Using the VE-9x12 to mount the K-1900W-2 or K-1500P-W

1. Mount the **VE-9x12** to the wall, or surface desired, using the (4) corner mounting holes.
2. Run the conduit and wiring as appropriate.
3. Attach adapter panel #1 using the (4) included 8-32 x 3/8 black cap screws.
4. Attach a standard RJ11 wall plate (Radio Shack part # 279-451 or equivalent).
5. Attach the **K-1900W-2** or **K-1500P-W** to the RJ11 wall plate.



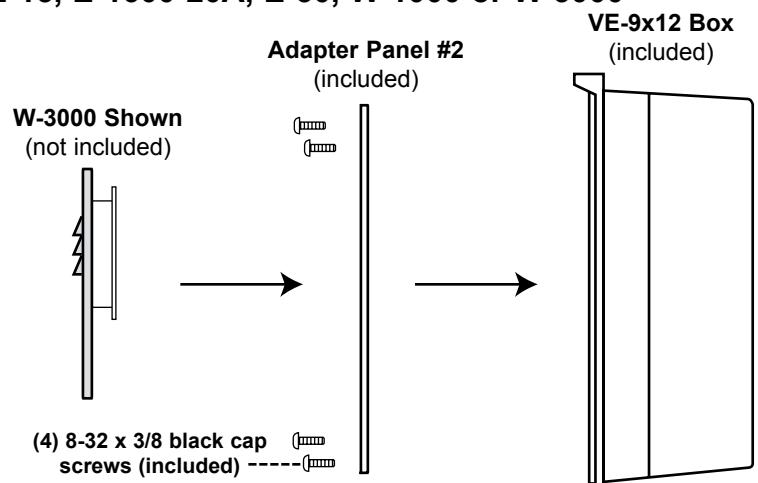
B. Using the VE-9x12 to mount the E-1600A, E-1600-03A, E-1600-45A, W-2000A or E-20A

1. Mount the **VE-9x12** to the wall, or surface desired, using the (4) corner mounting holes.
2. Run the conduit and wiring as appropriate.
3. Attach adapter panel #1 using the (4) included 8-32 x 3/8 black cap screws.
4. Attach the Viking product directly to the adapter using the installation instructions provided in the product's Technical Practice.



C. Using the VE-9x12 to mount the E-10, E-15, E-1600-20A, E-30, W-1000 or W-3000

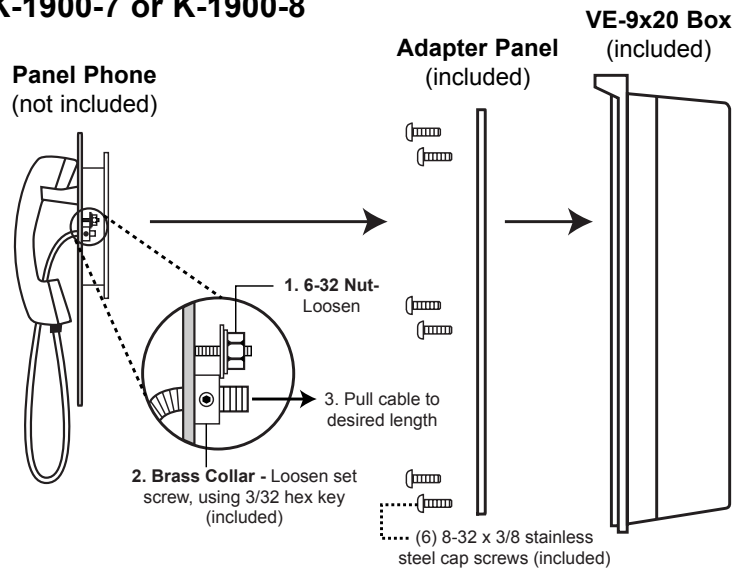
1. Mount the **VE-9x12** to the wall, or surface desired, using the (4) corner mounting holes.
2. Run the conduit and wiring as appropriate.
3. Attach adapter panel #2 using the (4) included 8-32 x 3/8 black cap screws..
4. Attach the Viking product directly to the adapter using the installation instructions provided in the product's Technical Practice.



C. Using the VE-9x20 to mount the K-1500-7, K-1900-7 or K-1900-8

1. Remove adapter panel from the **VE-9x20** using the included hex key.
2. Mount the **VE-9x20** to the wall, or surface desired, using the (4) corner mounting holes.
3. Run the conduit and wiring as appropriate.
4. Attach adapter panel.
5. Attach the Viking product directly to the adapter panel using the installation instructions provided in the product's Technical Practice.

Note: If you wish to shorten the armored cable of the panel phones, you may do so by loosening the 6-32 nut and brass collar located on the back of the stainless steel panel and pulling the cable through to its desired length, then retightening the nut and brass collar (see diagram right).

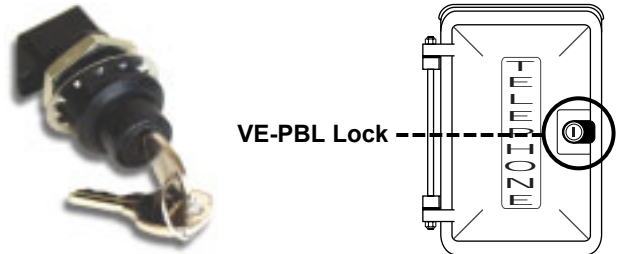


Caution: When warm air comes in contact with cold surfaces, such as outside walls and conduits, it causes condensation. To prevent condensation and moisture from accumulating inside the **VE-9x20** always bring conduit into the bottom of the unit.

D. Optional VE-PBL Push Button Lock

An optional **VE-PBL** lock and key set is available if you choose to keep your **VE-Series** phone box locked. Please contact your distributor or Viking Electronics "Spare Parts" website for pricing and availability.

Important: The lock and key set is only available with one type of key. Every lock will use the same key.



Compatible Products and Adapter Panels

Product	Fax Back #	Description	Enclosure Part Number		
			Box	Color	Panel
E-10	210	Emergency speaker phone with call button, flush mount.	VE-9x12	R or Y	2
E-15	210	Emergency speaker phone, push & hold button, flush mount.	VE-9x12	R or Y	2
E-1600A	215	ADA compliant handsfree emergency phone.	VE-9x12	R or Y	1
E-1600-03A	215	ADA compliant handsfree emergency phone.	VE-9x12	R or Y	1
E-1600-45A	215	ADA compliant handsfree emergency phone, yellow.	VE-9x12	R or Y	1
E-20A	210	Emergency speaker phone with push button, surface mount.	VE-9x12	R or Y	1
E-30	212	Stainless steel handsfree phone with dialer, flush mount.	VE-9x12	R or Y	2
K-1500P-W	355	Wall phone with ringer and network.	VE-9x12	R or Y	1
K-1500-7	352	Vandal resistant stainless steel panel phone.	VE-9x20	R or Y	
K-1900W-2	360	Hot-line wall phone with non-volatile memory.	VE-9x12	R or Y	1
K-1900-7	360	Hot-line vandal resistant stainless steel panel phone.	VE-9x20	R or Y	
K-1900-8	362	Hot-line, stainless steel panel phone with keypad and armored cable.	VE-9x20	R or Y	
W-1000	170	Weather resistant handsfree doorbox, flush mount.	VE-9x12	R or Y	2
W-2000A	170	Weather resistant handsfree doorbox, surface mount.	VE-9x12	R or Y	1
W-3000	180	Stainless steel handsfree doorbox, flush mount.	VE-9x12	R or Y	2

Product Support Line...715.386.8666

Fax Back Line...715.386.4345

Due to the dynamic nature of the product design, the information contained in this document is subject to change without notice. Viking Electronics, and its affiliates and/or subsidiaries assume no responsibility for errors and omissions contained in this information. Revisions of this document or new editions of it may be issued to incorporate such changes.

Free Manuals Download Website

<http://myh66.com>

<http://usermanuals.us>

<http://www.somanuals.com>

<http://www.4manuals.cc>

<http://www.manual-lib.com>

<http://www.404manual.com>

<http://www.luxmanual.com>

<http://aubethermostatmanual.com>

Golf course search by state

<http://golfingnear.com>

Email search by domain

<http://emailbydomain.com>

Auto manuals search

<http://auto.somanuals.com>

TV manuals search

<http://tv.somanuals.com>