



Standard Features & Accessories

All models include

- Numerous storage options help maintain design and styling throughout kitchen
 - Conceal microwave (available widths accommodate most sizes)
 - Conceal television/stereo
 - Store "countertop" appliances
 - Store cooking utensils, cookware, cookbooks, spice racks, etc.
- "Up-swing" door features a new hinge system which provides easy opening and closing of the chamber
- Interior cavity offers largest possible capacity (two options, depending on location chosen for door hinges)

Professional

- Commercial styling and construction
- 27"W. models
 - 23-5/8"W. x 12"H. x 22-1/2"D. or
 - 21"W. x 15"H. x 22-1/2"D.
- 30"W. models
 - 26-5/8"W. x 12"H. x 22-1/2"D. or
 - 25"W. x 15"H. x 22-1/2"D.
- 36"W. Professional model
 - 32-5/8"W. x 12"H. x 22-1/2"D. or
 - 30"W. x 15"H. x 22-1/2"D.

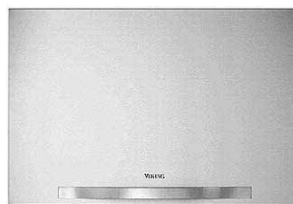
Designer

- 27"W. models
 - 23-5/8"W. x 12-3/4"H. x 22-1/2"D. or
 - 22-3/4"W. x 15"H. x 22-1/2"D.
- 30"W. models
 - 26-5/8"W. x 12-3/4"H. x 22-1/2"D. or
 - 25-3/4"W. x 15"H. x 22-1/2"D.

Model Options



**VMWC172/102/162
Professional
Multi-Use Chamber**



**DMWC171/101
Designer
Multi-Use Chamber**

FINISH DETAILS FOR PROFESSIONAL MODELS

- Stainless Steel (SS), Black (BK), White (WH), Metallic Silver (MS), Graphite Gray (GG), Stone Gray (SG), Taupe (TP), Biscuit (BT), Cotton White (CW), Oyster Gray (OG), Golden Mist (GM), Lemonade (LE), Sage (SA), Mint Julep (MJ), Sea Glass (SE), Iridescent Blue (IB), Viking Blue (VB), Pumpkin (PM), Racing Red (RR), Apple Red (AR), Burgundy (BU), Plum (PL), Chocolate (CH), and Cobalt Blue (CB).
- Finish designates door front and side door frame. Stainless steel handle with chrome-plated brackets.
- Brass Trim Option (BR)—nameplate and handle/brackets. Brass components have a durable protective coating for maintenance-free normal use.

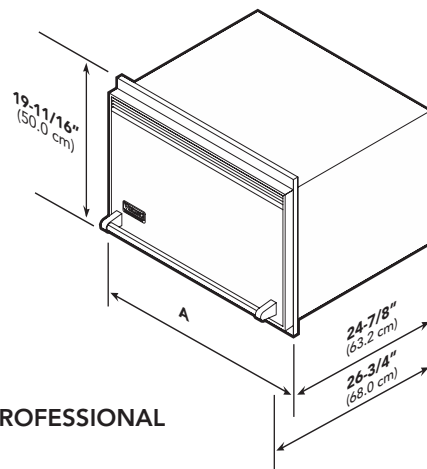
FINISH DETAILS FOR DESIGNER MODELS

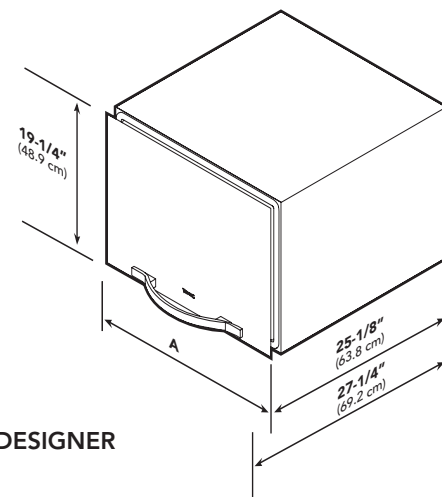
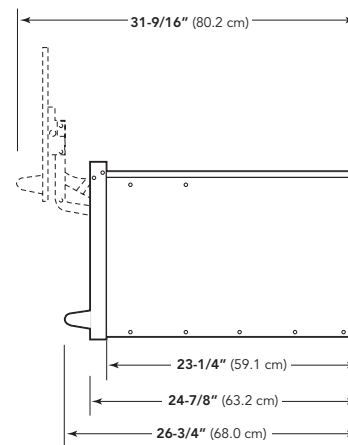
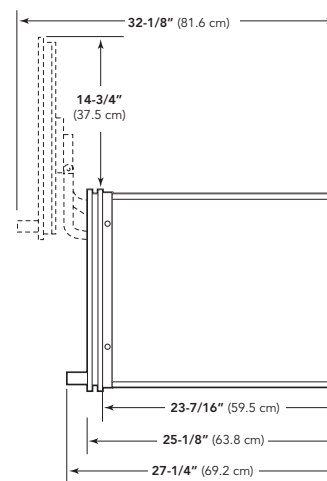
- Stainless Steel (SS), Black (BK), White (WH), Metallic Silver (MS), Graphite Gray (GG), Stone Gray (SG), Taupe (TP), Biscuit (BT), Cotton White (CW), Oyster Gray (OG), Golden Mist (GM), Lemonade (LE), Sage (SA), Mint Julep (MJ), Sea Glass (SE), Iridescent Blue (IB), Viking Blue (VB), Pumpkin (PM), Racing Red (RR), Apple Red (AR), Burgundy (BU), Plum (PL), Chocolate (CH), and Cobalt Blue (CB).
- Finish designates door panel. Stainless steel handle.
- Brass Trim Option (BR)— handle. Brass components have a durable protective coating for maintenance-free normal use.

ORDERING INSTRUCTIONS

First specify model number, and then color code (VMWC172SS). If ordering optional brass trim, specify code at end (VMWC172SSBR).


**Professional & Designer
27"/30"/36"W. Multi-Use Chamber**
Dimensions & Specifications
PRODUCT DIMENSIONS & UPSWING

**VMWC172/102/162
Professional
Multi-Use Chamber**

PROFESSIONAL

**DMWC171/101
Designer
Multi-Use Chamber**

DESIGNER


	VMWC172/102/162	DMWC171/101
Overall width (A)	26-1/2" (67.3 cm)/29-1/2" (80.0 cm)/ 35-1/4" (89.5 cm)	26-1/2" (67.3 cm)/ 29-1/2" (74.9 cm)
Overall height (from bottom)	19-11/16" (50.0 cm)	19-1/4" (48.9 cm)
Overall depth (from rear)		
To end of handle	26-3/4" (68.0 cm)	27-1/4" (69.2 cm)
With door fully extended	31-9/16" (80.2 cm)	32-1/8" (81.6 cm)
Approx. ship weight	100 lbs. (45.0 kg)/105 lbs. (47.3)/ 115 lbs. (51.8 cm)	100 lbs. (45.0 kg)/105 lbs. (47.3)



COOKING

Professional & Designer 27"/30"/36"W. Multi-Use Chamber



Dimensions & Specifications

CLEARANCE DIMENSIONS

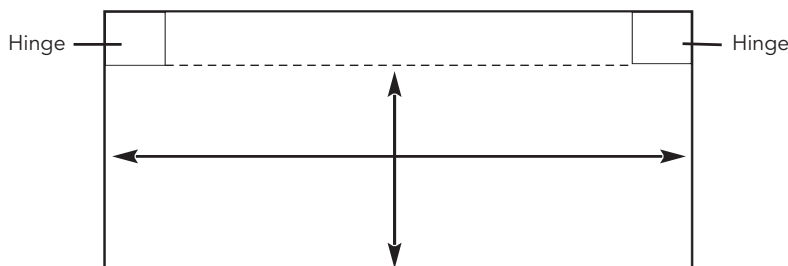


VMWC172/102/162
Professional
Multi-Use Chamber

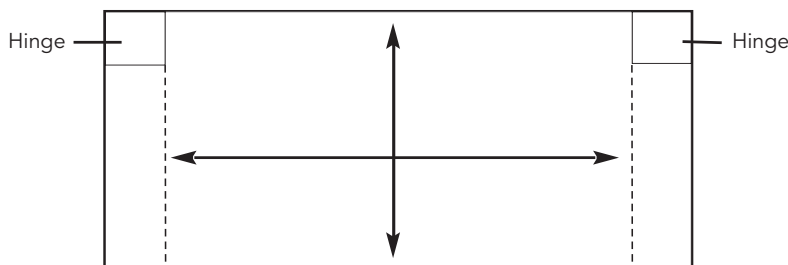


DMWC171/101
Designer
Multi-Use Chamber

Option A



Option B



Note: Two usable space options are given due to the location of the hinges for the "up-swing" door. When using with a microwave, allow adequate clearance for the opening of the microwave door. For "up-swing" door to be fully opened, allow 14-3/4" (37.5 cm) above the chamber.

	VMWC172	VMWC102	VMWC162	DMWC171	DMWC101
Interior width					
Option A	23-5/8" (60.0 cm)	26-5/8" (67.6 cm)	32-5/8" (82.9 cm)	23-5/8" (60.0 cm)	26-5/8" (67.6 cm)
Option B	21" (53.3 cm)	25" (63.5 cm)	30" (76.2 cm)	22-3/4" (57.8 cm)	25-3/4" (65.4 cm)
Interior height					
Option A	12" (30.5 cm)	12" (30.5 cm)	12" (30.5 cm)	12-3/4" (32.4 cm)	12-3/4" (32.4 cm)
Option B	15" (38.1 cm)	15" (38.1 cm)	15" (38.1 cm)	15" (38.1 cm)	15" (38.1 cm)
Interior depth	22-1/2" (57.2 cm)				





UTILITY REQUIREMENTS



GAS
• Not applicable



ELECTRICAL
• Not directly connected to electricity; large access hole in rear wall of interior provides ventilation and electrical cord outlet, suitable for a microwave oven.



PLUMBING
Not applicable

Installation Requirements

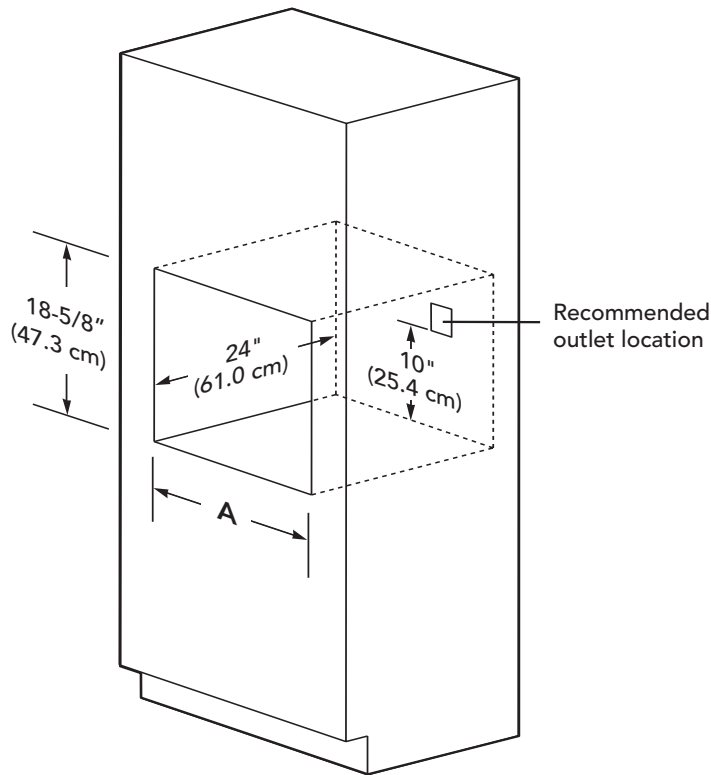
ACCESS REQUIREMENTS



VMWC172/102/162
Professional
Multi-Use Chamber



DMWC171/101
Designer
Multi-Use Chamber



	VMWC172	VMWC102	VMWC162	DMWC171	DMWC101
Cutout width (A)	25" (63.5 cm)	28" (71.1 cm)	33-3/4" (85.7 cm)	25" (63.5 cm)	28" (71.1 cm)
Cutout height	18-5/8" (47.3 cm)				
Cutout depth	24" (61.0 cm) min.				

WARRANTY INFORMATION*

- One-year full warranty—complete product
- Ninety-day limited warranty—cosmetic parts such as glass, painted, and decorative items

*For complete warranty see *Use & Care Guide*. Warranty valid on Viking products shipped within the United States and Canada.

Free Manuals Download Website

<http://myh66.com>

<http://usermanuals.us>

<http://www.somanuals.com>

<http://www.4manuals.cc>

<http://www.manual-lib.com>

<http://www.404manual.com>

<http://www.luxmanual.com>

<http://aubethermostatmanual.com>

Golf course search by state

<http://golfingnear.com>

Email search by domain

<http://emailbydomain.com>

Auto manuals search

<http://auto.somanuals.com>

TV manuals search

<http://tv.somanuals.com>