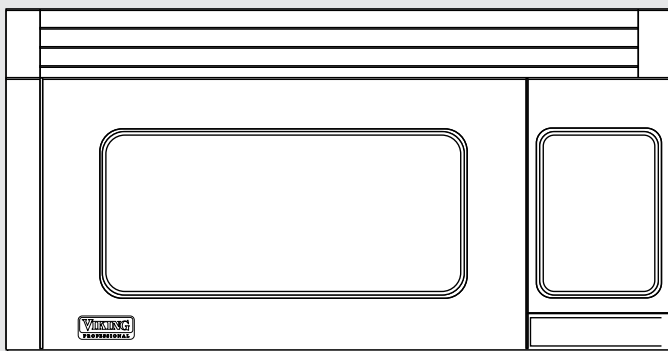


Viking Use & Care Manual



Built-In Convection Microwave Hood

SERVICE INFORMATION

If service is required:

1. Call your dealer or authorized service agency. The name of the authorized service agency can be obtained from the dealer or distributor in your area.
2. Have the following information readily available:
 - a. Model number
 - b. Serial number
 - c. Date purchased
 - d. Name of dealer from whom purchased
3. Clearly describe the problem that you are having.

If you are unable to obtain the name of an authorized service agency, or if you continue to have a service problem, contact Viking Range, LLC at (888) 845-4641 or write to:

VIKING RANGE, LLC
PREFERRED SERVICE
111 Front Street
Greenwood, Mississippi (MS) 38930 USA

Record the information indicated below. You will need it if service is ever required. The model and serial number for your microwave oven are located on the left side of the microwave oven cavity on an identification label.

Model Number _____ Serial Number _____

Date of Purchase _____ Date Installed _____

Dealer's Name _____

Address _____

If service requires installation of parts, use only authorized parts to ensure protection under the warranty.

PLEASE RETAIN THIS MANUAL FOR FUTURE REFERENCE

TABLE OF CONTENTS

2 SERVICE INFORMATION	28 Preheat and Cook with Convection
3 TABLE OF CONTENTS	28-29 Broil
4-5 IMPORTANT SAFETY INSTRUCTIONS	29 Slow Cook
5 PRECAUTIONS TO AVOID POSSIBLE EXPOSURE TO EXCESSIVE MICROWAVE ENERGY	29-30 Automatic Mix Cooking
6 UNPACKING AND EXAMINING YOUR MICROWAVE OVEN	29-30 Low Mix/Bake
7 GROUNDING INSTRUCTIONS	29 High Mix/Roast
8-14 INFORMATION YOU NEED TO KNOW	30 Cook with Automatic Mix
8 About Your Microwave Oven	30 Preheat and Cook with Automatic Mix
8-9 About Children and the Microwave	30-34 CONVECTION AUTOMATIC OPERATION
9 About Food	30-31 Convec Broil
10-12 About Utensils and Coverings	31 Convec Broil Chart
13 About Microwave Cooking	32 Convec Roast
14 About Safety	32 Convec Roast Chart
15-17 PART NAMES	33 Convec Bake
15-16 Microwave Oven Parts	33-34 Convec Bake Chart
16 Accessories	35-37 OTHER CONVENIENT FEATURES
17 Control Panel	35-36 Help (Control pad)
18 BEFORE OPERATING	36 Multiple Sequence Cooking
18 To Set the Clock	36 Timer
18 Stop/Clear	37 More or Less Time Adjustment
19-21 MANUAL MICROWAVE OPERATION	37 Add-A-Minute
19 Time Cooking Microwave	37 Touch On
19 To Set Power Level	37 Help (Display indicator)
20 Keep Warm	38 Demonstration Mode
20 Hood Light/Hood Fan	38-42 CLEANING AND CARE
20-21 Turntable On/Off	38 Exterior
21-27 MICROWAVE FEATURES	38 Door
21 Defrost	38 Touch Control Panel
22 Defrost Chart	38 Interior - After microwave cooking
22 Manual Defrost	39 Interior - After convection, mix or broil cooking
23-24 Sensor Cooking	39 Waveguide Cover
24 Reheat	39 Odor Removal
24 Popcorn	39 Turntable/Turntable Support
25 Sensor Chart	39 Microwave Oven Racks
26 Sensor Cook	40 Grease Filters
26-27 Sensor Cook Chart	40 Fan
27-30 MANUAL CONVECTION AND AUTOMATIC MIX COOKING	40-41 Light
27-28 Convection Cooking	41 Charcoal Filter
27-28 Cook with Convection	42 Microwave Oven Light
	43 SPECIFICATIONS
	44 SERVICE CALL CHECK
	45 MICROWAVE OVEN WARRANTY

IMPORTANT SAFETY INSTRUCTIONS

When using electrical appliances basic safety precautions should be followed, including the following:

WARNING - To reduce the risk of burns, electric shock, fire, injury to persons or exposure to excessive microwave energy:

1. READ ALL INSTRUCTIONS BEFORE USING THE APPLIANCE.
2. Read and follow the specific "PRECAUTIONS TO AVOID POSSIBLE EXPOSURE TO EXCESSIVE MICROWAVE ENERGY" on page 5.
3. This appliance must be grounded. Connect only to properly grounded outlet. See "GROUNDING INSTRUCTIONS" on page 7.
4. Install or locate this appliance only in accordance with the provided installation instructions.
5. Some products such as whole eggs and sealed containers—for example, closed glass jars—are able to explode and should not be heated in this microwave oven.
6. Use this appliance only for its intended use as described in this manual. Do not use corrosive chemicals or vapors in this appliance. This type of microwave oven is specifically designed to heat, cook or dry food. It is not designed for industrial or laboratory use.
7. As with any appliance, close supervision is necessary when used by children.
8. Do not operate this appliance if it has a damaged cord or plug, if it is not working properly or if it has been damaged or dropped.
9. This appliance should be serviced only by qualified service personnel. Contact nearest Viking Authorized Servicer for examination, repair or adjustment.
10. Do not cover or block any openings on the appliance.
11. Do not store or use this appliance outdoors. Do not use this product near water—for example, near a kitchen sink, in a wet basement or near a swimming pool, or similar locations.
12. Do not immerse cord or plug in water.
13. Keep cord away from heated surfaces.
14. Do not let cord hang over edge of table or counter.
15. See door surface cleaning instructions on page 38.
16. To reduce the risk of fire in the microwave oven cavity:
 - a. Do not overcook food. Carefully attend appliance when paper, plastic or other combustible materials are placed inside the microwave oven to facilitate cooking.
 - b. Remove wire twist-ties from paper or plastic bags before placing bag in microwave oven.
 - c. **If materials inside the microwave oven should ignite, keep microwave oven door closed, turn microwave oven off and disconnect the power cord or shut off power at the fuse or circuit breaker panel.**
 - d. Do not use the cavity for storage purposes. Do not leave paper products, cooking utensils or food in the cavity when not in use.

17. Liquids, such as water, coffee or tea are able to be overheated beyond the boiling point without appearing to be boiling. Visible bubbling or boiling when the container is removed from the microwave oven is not always present. THIS COULD RESULT IN VERY HOT LIQUIDS SUDDENLY BOILING OVER WHEN A SPOON OR OTHER UTENSIL IS INSERTED INTO THE LIQUID.
To reduce the risk of injury to persons:
 - a. Do not overheat the liquid.
 - b. Stir the liquid both before and halfway through heating it.
 - c. Do not use straight-sided containers with narrow necks. Use a wide-mouthed container.
 - d. After heating, allow the container to stand in the microwave oven at least for 20 seconds before removing the container.
 - e. Use extreme care when inserting a spoon or other utensil into the container.
18. Clean ventilation openings and grease filters frequently—Grease should not be allowed to accumulate on ventilation openings, hood (louver) or grease filters.
19. Use care when cleaning the louver and the grease filters. Corrosive cleaning agents, such as lye-based oven cleaners, may damage the louver and the grease filters.
20. When flaming food under the hood, turn the fan on.
21. This appliance is suitable for use above both gas and electric cooking equipment 36" wide or less.

SAVE THESE INSTRUCTIONS

PRECAUTIONS TO AVOID POSSIBLE EXPOSURE TO EXCESSIVE MICROWAVE ENERGY

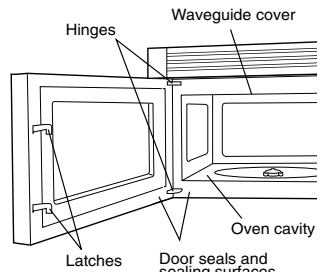
- (a) Do not attempt to operate this microwave oven with the door open since open-door operation can result in harmful exposure to microwave energy. It is important not to defeat or tamper with the safety interlocks.
- (b) Do not place any object between the microwave oven front face and the door or allow soil or cleaner residue to accumulate on sealing surfaces.
- (c) Do not operate the microwave oven if it is damaged. It is particularly important that the microwave oven door close properly and that there is no damage to the: (1) door (bent), (2) hinges and latches (broken or loosened), (3) door seals and sealing surfaces.
- (d) The microwave oven should not be adjusted or repaired by anyone except properly qualified service personnel.

UNPACKING AND EXAMINING YOUR MICROWAVE OVEN

Remove all packing materials from inside the microwave oven cavity; however, **DO NOT REMOVE THE WAVEGUIDE COVER**, which is located on the top cavity wall. Read enclosures and **SAVE** the Use and Care Manual.

Remove the feature sticker from the outside of the door, if there is one.

Check the microwave oven for any damage, such as misaligned or bent door, damaged door seals and sealing surfaces, broken or loose door hinges and latches and dents inside the cavity or on the door. If there is any damage, do not operate the microwave oven and contact your dealer or **VIKING AUTHORIZED SERVICER**.



GROUNDING INSTRUCTIONS

This appliance must be grounded. This microwave oven is equipped with a cord having a grounding wire with a grounding plug. It must be plugged into a wall receptacle that is properly installed and grounded in accordance with the National Electrical Code and local codes and ordinances. In the event of an electrical short circuit, grounding reduces risk of electric shock by providing an escape wire for the electric current.

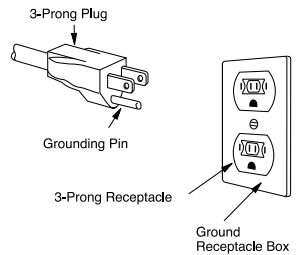
WARNING – Improper use of the grounding plug can result in a risk of electric shock.

ELECTRICAL REQUIREMENTS

Check Installation Instructions for proper location for the power supply.

The electrical requirements are a 120 volt 60 Hz, AC only, 15 amp. or more protected electrical supply. It is recommended that a separate circuit serving only this appliance be provided.

The microwave oven is equipped with a 3-prong grounding plug. It must be plugged into a wall receptacle that is properly installed and grounded. **DO NOT UNDER ANY CIRCUMSTANCES CUT OR REMOVE THE GROUNDING PIN FROM THE PLUG.**



Note:

1. If you have any questions about the grounding or electrical instructions, consult a qualified electrician or service person.
2. Neither Viking nor the dealer can accept any liability for damage to the microwave oven or personal injury resulting from failure to observe the correct electrical connection procedures.

RADIO OR TV INTERFERENCE

Should there be any interference caused by the microwave oven to your radio or TV, check that the microwave oven is on a different electrical circuit, relocate the radio or TV as far away from the microwave oven as feasible or check the position and signal of the receiving antenna.

INFORMATION YOU NEED TO KNOW

ABOUT YOUR MICROWAVE OVEN

This Use and Care Manual is valuable: read it carefully and always save it for reference.

A good microwave cookbook is a valuable asset. Check it for microwave cooking principles, techniques, hints and recipes.

NEVER use the microwave oven without the turntable and support nor turn the turntable over so that a large dish could be placed in the microwave oven. The turntable will turn both clockwise and counterclockwise.

ALWAYS have food in the microwave oven when it is on to absorb the microwave energy.

When using the oven at power levels below 100%, you may hear the magnetron cycling on and off.

Condensation is a normal part of microwave cooking. Room humidity and the moisture in food will influence the amount of moisture that condenses in the microwave oven. Generally, covered foods will not cause as much condensation as uncovered ones. Vents on the microwave oven back must not be blocked.

After using convection, automatic mix or broil, you will hear the sound of the cooling fan. The fan may continue to operate as long as 5 minutes, depending on the oven temperature.

Be aware that, unlike microwave-only ovens, convection microwave ovens have a tendency to become hot during convection, automatic mix and broil cooking.

The microwave oven is for food preparation only. It should not be used to dry clothes or newspapers.

Your microwave output is rated 850 watts using the IEC Test Procedure. In using recipes or package directions, check food at the minimum time and add time accordingly.

ABOUT CHILDREN AND THE MICROWAVE

Children below the age of 7 should use the microwave oven with a supervising person very near to them. Between the ages of 7 and 12, the supervising person should be in the same room.

The child must be able to reach the microwave oven comfortably; if not, he/she should stand on a sturdy stool.

At no time should anyone be allowed to lean or swing on the microwave oven door.

Children should be taught all safety precautions: use potholders, remove coverings carefully, pay special attention to packages that crisp food because they may be extra hot.

Don't assume that because a child has mastered one cooking skill, he/she can cook everything.

Children need to learn that the microwave oven is not a toy. See page 35 for Child Lock feature.

ABOUT FOOD

FOOD	DO	DON'T
Eggs, sausages, nuts, seeds, fruits & vegetables	<ul style="list-style-type: none"> • Puncture egg yolks before cooking to prevent "explosion". • Pierce skins of potatoes, apples, squash, hot dogs and sausages so that steam escapes. 	<ul style="list-style-type: none"> • Cook eggs in shells. • Reheat whole eggs. • Dry nuts or seeds in shells.
Popcorn (See page 24 for specific cooking instructions)	<ul style="list-style-type: none"> • Use specially bagged popcorn for the microwave oven. • Listen while popping corn for the popping to slow to 1 or 2 seconds or use special Popcorn pad. 	<ul style="list-style-type: none"> • Pop popcorn in regular brown bags or glass bowls. • Exceed maximum time on popcorn package.
Baby food	<ul style="list-style-type: none"> • Transfer baby food to small dish and heat carefully, stirring often. Check temperature before serving. • Put nipples on bottles after heating and shake thoroughly. "Wrist" test before feeding. 	<ul style="list-style-type: none"> • Heat disposable bottles. • Heat bottles with nipples on. • Heat baby food in original jars.
General	<ul style="list-style-type: none"> • Cut baked goods with filling after heating to release steam and avoid burns. • Stir liquids briskly before, during and after heating to avoid "eruption". • Use deep bowl, when cooking liquids or cereals, to prevent boilovers. 	<ul style="list-style-type: none"> • Heat or cook in closed glass jars or air tight containers. • Can in the microwave as harmful bacteria may not be destroyed. • Deep fat fry. • Dry wood, gourds, herbs or wet papers.

ABOUT UTENSILS AND COVERINGS

It is not necessary to buy all new cookware. Many pieces, already in your kitchen, can be used successfully in your new convection microwave oven. The chart below will help you decide what utensils and coverings should be used in each mode.

UTENSILS AND COVERINGS	MICROWAVE ONLY	CONVEC BROIL, SLOW COOK	HIGH MIX/ ROAST LOW MIX/BAKE
Aluminum foil	YES. Small flat pieces of aluminum foil placed smoothly on food can be used to shield areas from cooking or defrosting too quickly. Keep foil at least 1 inch from walls of oven.	YES. For shielding	YES. For shielding
Aluminum containers	YES. Can be used if 3/4 filled with food. Keep 1 inch away from walls and do not cover with foil.	YES. Broil-No cover	YES. Can be used if 3/4 filled with food. Keep 1 inch away from walls and do not cover with foil.
Browning dish	YES. Do not exceed recommended preheating time. Follow manufacturer's directions.	NO	NO
Glass ceramic (Pyroceram®)	YES. Excellent	YES. Excellent	YES. Excellent
Glass, heat-resistant	YES. Excellent.	YES. Excellent.	YES. Excellent.
Glass, non-heat-resistant	NO	NO	NO
Lids, glass	YES	YES. Broil-No cover	YES

UTENSILS AND COVERINGS	MICROWAVE ONLY	CONVECTION BROIL, SLOW COOK	HIGH MIX/ ROAST LOW MIX/BAKE
Lids, metal	NO	YES. Broil- No cover	NO
Metal cookware	NO	YES	YES. Do not use metal covering.
Metal, misc: dishes with metallic trim, screws, bands, handles. Metal twist ties	NO	NO	NO
Oven cooking bags	YES. Good for large meats or foods that need tenderizing. DO NOT use metal twist ties.	YES. Broil- No cover	YES. DO NOT use metal twist ties.
Paper plates	YES. For reheating.	NO	NO
Paper towels	YES. To cover for reheating and cooking. Do not use recycled paper towels which may contain metal fillings.	NO	NO
Paper, ovenable	YES	YES. For temperatures up to 400°F. Do not use for broiling.	YES. For temperatures up to 400°F.
Microwave-safe plastic containers	YES. Use for reheating and defrosting. Some microwave-safe plastics are not suitable for cooking foods with high fat and sugar content. Follow manufacturer's directions.	NO	NO

UTENSILS AND COVERINGS	MICROWAVE ONLY	CONVECTION BROIL, SLOW COOK	HIGH MIX/ ROAST LOW MIX/BAKE
Plastic, Thermoset®	YES	YES. Are heat resistant up to 425°F. Do not use for broiling.	YES
Plastic wrap	YES. Use brands specially marked for microwave use. DO NOT allow plastic wrap to touch food. Vent so steam can escape.	NO	NO
Pottery, porcelain stoneware	YES. Check manufacturer's recommendation for being microwave safe.	YES	YES. Must be microwave safe AND ovenable.
Styrofoam	YES. For reheating.	NO	NO
Wax paper	YES. Good covering for cooking and reheating.	NO	NO
Wicker, wood, straw	YES. May be used for short periods of time. Do not use with high fat or high sugar content foods. Could char.	NO	NO

DISH CHECK If you wish to check if a dish is safe for microwaving, place the empty dish in the oven and microwave on HIGH for 30 seconds. If the dish becomes very hot, do NOT use it for microwaving.

ACCESSORIES There are many microwave accessories available for purchase. Evaluate carefully before you purchase, so that they meet your needs. A microwave-safe thermometer will assist you in determining correct doneness and assure you that foods have been cooked to safe temperatures when using microwave-only cooking. Viking is not responsible for any damage to the microwave oven when accessories are used.

ABOUT MICROWAVE COOKING

- Arrange food carefully. Place thickest areas towards outside of dish.
- Watch cooking time. Cook for the shortest amount of time indicated and add more as needed. Food severely overcooked can smoke or ignite.
- Cover foods while cooking. Check recipe or cookbook for suggestions: paper towels, wax paper, microwave plastic wrap or a lid. Covers prevent spattering and help foods to cook evenly.
- Shield any thin areas of meat or poultry with small flat pieces of aluminum foil to prevent overcooking before dense, thick areas are cooked thoroughly.
- Stir foods from outside to center of dish once or twice during cooking, if possible.
- Turn foods over once during microwaving to speed cooking of such foods, as chicken and hamburgers. Large items like roasts must be turned over at least once.
- Rearrange foods such as meatballs halfway through cooking both from top to bottom and from the center of the dish to the outside.
- Add standing time. Remove food from microwave oven and stir, if possible. Cover for standing time which allows the food to finish cooking without overcooking.
- Check for doneness. Look for signs indicating that cooking temperatures have been reached.

Doneness signs include:

- Food steams throughout, not just at edge.
- Center bottom of dish is very hot to the touch.
- Poultry thigh joints move easily.
- Meat and poultry show no pinkness.
- Fish is opaque and flakes easily with a fork.

ABOUT SAFETY

- Check foods to see that they are cooked to the United States Department of Agriculture's recommended temperatures.

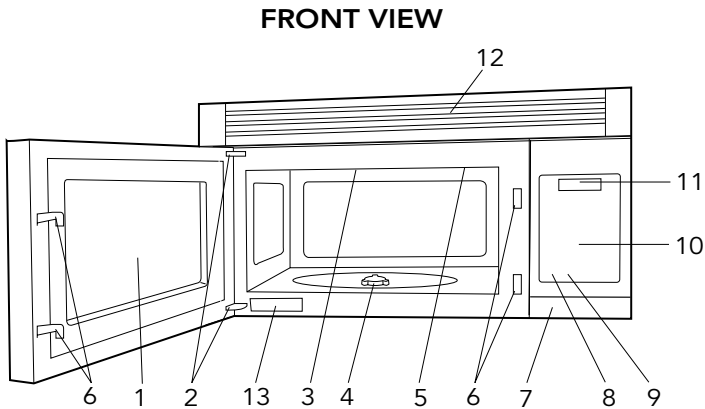
To test for doneness, insert a meat thermometer in a thick or dense area away from fat or bone. NEVER leave the thermometer in the food during cooking, unless it is approved for microwave oven use.

TEMP	FOOD
160°F (71°C)	For fresh pork, ground meat, boneless white poultry, fish, seafood, egg dishes and frozen prepared food.
165°F (74°C)	For leftover, ready-to-reheat refrigerated, and deli and carry-out "fresh" food.
170°F (77°C)	White meat of poultry.
180°F (82°C)	Dark meat of poultry.

- ALWAYS use potholders to prevent burns when handling utensils that are in contact with hot food. Enough heat from the food can transfer through utensils to cause skin burns.
- Avoid steam burns by directing steam away from the face and hands. Slowly lift the farthest edge of a dish's covering and carefully open popcorn and microwave oven cooking bags away from the face.
- Stay near the microwave oven while it's in use and check cooking progress frequently so that there is no chance of overcooking food.
- NEVER use the cavity for storing cookbooks or other items.
- Select, store and handle food carefully to preserve its high quality and minimize the spread of foodborne bacteria.
- Keep waveguide cover clean. Food residue can cause arcing and/or fires.
- Use care when removing items from the microwave oven so that the utensil, your clothes or accessories do not touch the safety door latches.
- Keep aluminum foil used for shielding at least 1 inch away from walls, ceiling and door of microwave oven.

PART NAMES

MICROWAVE OVEN PARTS

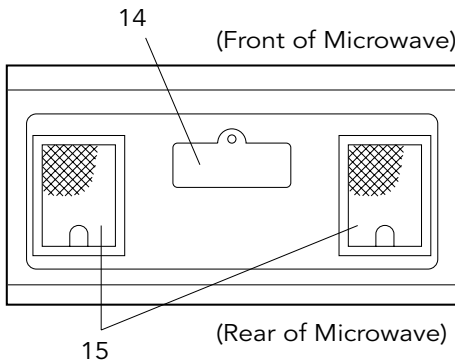


1. Oven door with see-through window.
2. Door hinges.
3. Waveguide cover
DO NOT REMOVE.
4. Turntable motor shaft.
5. Oven light.
It will light when oven is operating or door is open.
6. Safety door latches.
The oven will not operate unless the door is securely closed.
7. One touch DOOR OPEN button.
Push to open door.
8. Fan Hi / Lo button.
Push for high/low/off.
9. Light button.
Push for on/off.
10. Auto-Touch control panel.
11. Time display: Digital display, 99 minutes 99 seconds.
12. Ventilation openings.

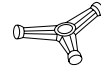
INTERACTIVE COOKING SYSTEM

The Interactive Cooking System offers step-by-step instructions in the display for using the oven, from setting the clock to programming each feature. It also includes Help setting for instructions on using Child Lock, Audible Signal Elimination, Auto Start and Help. There is a choice of English, Spanish or French and a choice of U.S. Customary Unit-pound or Metric-kilograms. Touch Help and follow the directions displayed or check page 35-36.

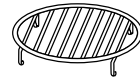
BOTTOM VIEW



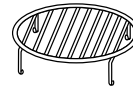
16



17



18



19

- 13. Serial plate
- 14. Light cover.
- 15. Grease filters.
- 16. Removable ceramic turntable.
The turntable will rotate clockwise or counterclockwise.

- Only remove for cleaning.
- 17. Removable turntable support.
Place the turntable support on the floor of the oven cavity and the turntable on the turntable support.
- 18. Removable low rack for broiling and meat and poultry roasting.
- 19. Removable high rack for two level baking.

ACCESSORIES

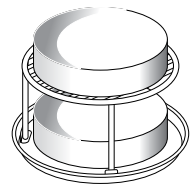
The following accessories are designed especially for use in this oven only for convection, mix or broil cooking. **DO NOT USE FOR MICROWAVE ONLY COOKING.** Do not substitute similar types of racks for these specially designed ones.

High rack (Baking rack)—for convection and low mix.

- This rack is placed on the turntable for two-level cooking, such as layer cakes, muffins, etc.

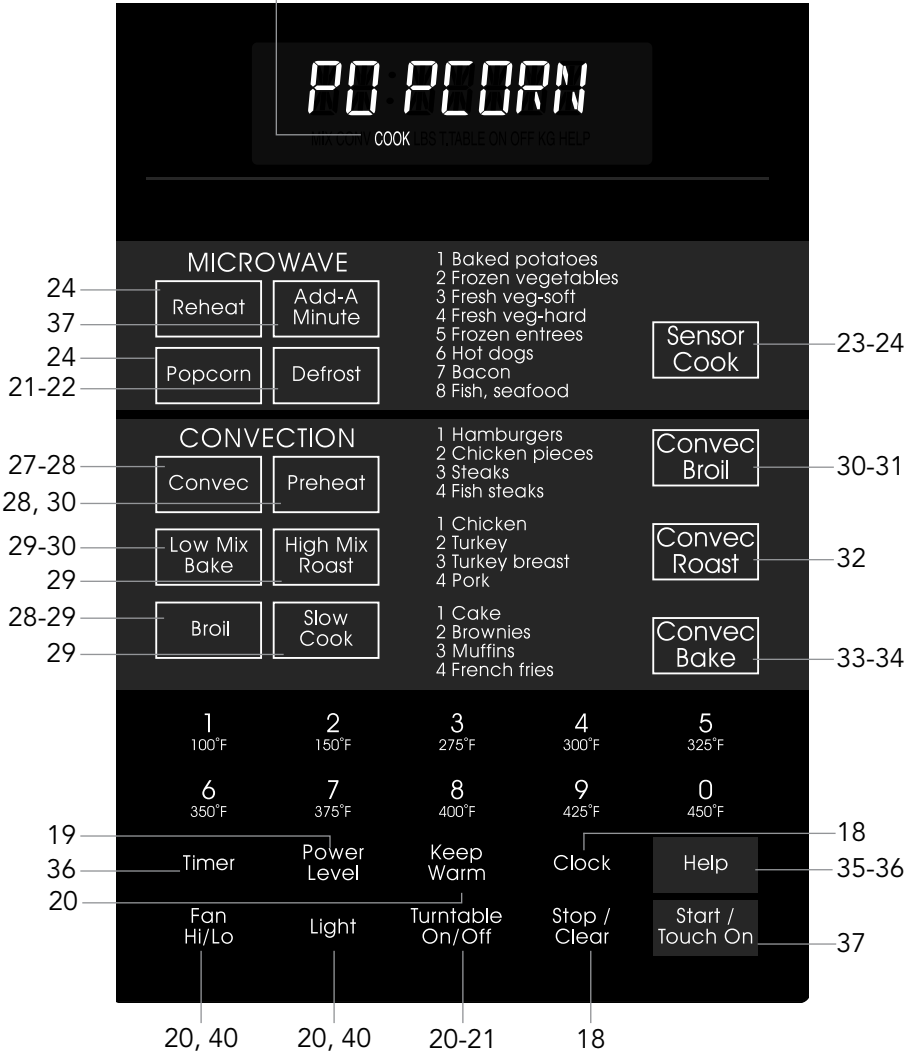
Low rack (Broiling rack)—for convection, broiling or high mix.

- Place on the turntable and use for roasting or broiling to allow juices to drain away from food.



CONTROL PANEL

Interactive Display Words will light in the display to indicate features and cooking instructions.



Number next to the control panel illustration indicates pages on which there are feature descriptions and usage information.

BEFORE OPERATING

- Before operating your new microwave oven make sure you read and understand this Use and Care Manual completely.
- Before the microwave oven can be used, follow these procedures:
 1. Plug in the microwave oven. Close the door. The microwave oven display will show WELCOME.
 2. Touch the Stop/Clear pad. : will appear.
 3. Set clock.

TO SET THE CLOCK

1. Touch Clock pad.
2. Enter the correct time of day by touching the numbers in sequence. Touch Clock pad again.

This is a 12 hour clock. If you attempt to enter an incorrect clock time, ERROR will appear in the display. Touch the Stop/Clear pad and re-enter the time.

- If the electrical power supply to your microwave oven should be interrupted, the display will intermittently show WELCOME after the power is reinstated. If this occurs during cooking, the program will be erased. The time of day will also be erased. Simply touch Stop/Clear pad and reset the clock for the correct time of day.

Note: Your oven can be programmed with the door open except for Start/Touch On, Add-A-Minute, Reheat and Popcorn.

STOP/CLEAR

Touch the Stop/Clear pad to:

1. Erase if you make a mistake during programming.
2. Cancel timer.
3. Stop the microwave oven temporarily during cooking.
4. Return the time of day to the display.
5. Cancel a program during cooking, touch twice.

MANUAL MICROWAVE OPERATION

TIME COOKING MICROWAVE

Your microwave oven can be programmed for 99 minutes 99 seconds (99.99). Always enter the seconds after the minutes, even if they are both zeros.

- Suppose you want to cook for 5 minutes at 100%
1. Enter cooking time by touching the number pads **5****0****0**.
 2. Touch Start/Touch On pad.

TO SET POWER LEVEL

There are eleven preset power levels.

Using lower power levels increases the cooking time which is recommended for foods such as cheese, milk and long slow cooking of meats. Consult cookbook or recipes for specific recommendations.

TOUCH POWER LEVEL PAD ONCE THEN TOUCH	APPROXIMATE PERCENTAGE OF POWER	COMMON WORDS FOR POWER LEVELS
Power Level	100%	High
9	90%	
8	80%	
7	70%	Medium High
6	60%	
5	50%	Medium
4	40%	
3	30%	Med Low/Defrost
2	20%	
1	10%	Low
0	0%	

- Suppose you want to defrost for 5 minutes at 30%.
1. Enter defrosting time by touching the number pads **5****0****0**.
 2. Touch Power Level pad and number **3**.
 3. Touch Start/Touch On pad.

KEEP WARM

Keep Warm can only be programmed with manual cooking or as a separate program.

- Suppose you want to cook a baked potato for 4 minutes at 100% power and you want to keep it warm after cooking for 30 minutes.

1. Touch number pads for the desired cook time for 1 baked potato.

Ex: **4|0|0** for 4 minutes.

2. Touch Keep Warm pad.

3. Touch Start/Touch On pad.

At the end of cook time, Keep Warm is displayed warming food until end of 30 minutes.

To use Keep Warm as a separate program, touch Keep Warm pad within 1 minute after cooking, closing the door or touching the Stop/Clear pad.

HOOD LIGHT/HOOD FAN

Your microwave oven is equipped with a Hood Light and a Hood Fan which can be used whether the door is open or closed.

To turn the Hood Light on, touch the Light pad once. To turn the Hood Light off, touch the Light pad again.

To turn the Hood Fan on, touch the Fan Hi/Lo pad once for high speed. To turn the Hood Fan to low speed, touch pad twice and touch the pad three times to turn the fan off.

TURNTABLE ON/OFF

For most cooking, the turntable should be on; however the turntable can be turned off so that it does not rotate when extra large dishes, such as the popular 13"x9"x2" glass utility casserole, are used. The casserole should be placed on the turntable so that it is level.

- Suppose you want to cook lasagna in a 13"x9"x2" casserole for 45 minutes on 40% power.

1. Touch Turntable On/Off pad and note TURNTABLE OFF in the display.

2. Enter cooking time by touching the number pads **4|5|0|0**.

3. Touch Power Level pad and number **4** for 40% power.

4. Touch Start/Touch On pad.

Note: The door can be opened for checking food and the turntable will stay in the off position. After checking, close door and touch Start/Touch On.

The turntable will stay off for one minute after door is opened when time-of-day appears in the display. It is possible to reprogram the oven during that minute without touching the Turntable On/Off pad. The display always indicates whether the turntable is off or on.

THE TURNTABLE SHOULD ALWAYS BE ON WHEN USING THE SPECIAL

FEATURES. On/Off function can be used with manual cooking modes and Reheat. Turntable off condition will automatically change to on condition when you select auto cooking except Reheat and Convec Bake.

When cooking large quantities of food which cannot be stirred, it is best to use a lower power level such as 40% or 50%. You may speed cooking of large amounts by programming 5 to 10 minutes on 100% power (HIGH) followed by the desired time on lower power. See page 36 for how to program multiple sequences. You may wish to reverse a large casserole once during cooking; simply open door, reposition casserole, close door and touch Start/Touch On.

MICROWAVE FEATURES

DEFROST

Defrost automatically defrosts foods ground meat, steaks, chicken pieces.

- Suppose you want to defrost a 2.0 pound steak.
 1. Touch Defrost pad once.
 2. Select desired food by touching Defrost pad until the display shows the food name. Ex: touch twice for steak.
 3. Enter weight by touching the number pads **2****0**.
 4. Touch Start/Touch On pad.

The oven will stop and directions will be displayed. Follow the indicated message.
 5. After the 1st stage, open the door. Turn steak over and shield any warm portions. Close the door. Touch Start/Touch On pad.
 6. After the 2nd stage, open the door. Shield any warm portions. Close the door. Touch Start/Touch On pad.
 7. After defrost cycle ends, cover and let stand as indicated in chart on page 22.

Note:

1. The weight can be entered in increments of 0.1 lb. If you attempt to enter more or less than the allowed amount ERROR WEIGHT TOO SMALL OR TOO LARGE will appear in the display.
2. Defrost can be programmed with More/Less Time Adjustment. See page 37.
3. To defrost other foods or foods above or below the weights allowed on Defrost Chart, use time and 30% power. See Manual Defrost on page 22.

DEFROST CHART

TOUCH DEFROST PAD*	FOOD	AMOUNT	PROCEDURE
Once	Ground Meat	0.5 - 3.0 lb	Remove any thawed pieces after each stage. Let stand, covered, 5–10 minutes.
Twice	Steaks (Chops, fish)	0.5 - 4.0 lb	After each stage of defrost cycle, rearrange and if there are warm or thawed portions, shield with small flat pieces of aluminum foil. Remove any meat or fish that is nearly defrosted. Let stand, covered, 10–20 minutes.
3 times	Chicken Pieces	0.5 - 3.0 lb	After each stage of defrost cycle, if there are warm or thawed portions, rearrange or remove. Let stand, covered, 10–20 minutes.

* Number of touched AFTER initial touch to access Defrost.

Note: Check foods when oven signals. After final stage, small sections may still be icy. Let stand to continue thawing. Do not defrost until all ice crystals are thawed.

Shielding prevents cooking from occurring before the center of the food is defrosted. Use small smooth strips of aluminum foil to cover edges and thinner sections of the food.

MANUAL DEFROST

If the food that you wish to defrost is not listed on the DEFROST CHART or is above or below the limits in the AMOUNT column on the DEFROST CHART, you need to defrost manually.

You can defrost any frozen food, either raw or previously cooked, by using Power Level 3. Follow the exact 3-step procedure found under Time Cooking Microwave on page 19. Estimate defrosting time and press 3 for 30% when you select the power level.

For either raw or previously cooked frozen food the rule of thumb is approximately 5 minutes per pound. For example, defrost 5 minutes for 1 pound of frozen spaghetti sauce.

Always stop the microwave oven periodically to remove or separate the portions that are defrosted. If food is not defrosted at the end of the estimated defrosting time, program the oven in 1 minute increments on Power Level 3 until totally defrosted.

When using plastic containers from the freezer, defrost only long enough to remove from the plastic in order to place in a microwave-safe dish.

SENSOR COOKING

The Sensor is a semi-conductor device that detects the vapor (moisture and humidity) emitted from food as it heats. The sensor adjusts the cooking times and power level for various foods and quantities.

It takes the guesswork out of microwave cooking.

USING SENSOR SETTINGS:

1. Room temperature should not exceed 95°F.
2. Be sure the exterior of the cooking container and the interior of the microwave oven are dry. Wipe off any moisture with a dry cloth or paper towel.
3. During the first part of sensor cooking, the food name will appear on the display. Do not open the microwave oven door or touch Stop/Clear during this part of the cooking cycle. The measurement of vapor will be interrupted. If this occurs, an error message will appear and sensor cooking will be interrupted. To continue cooking, touch the Stop/Clear pad and select cooking time and power. When the sensor detects the vapor emitted from the food, remainder of cooking time will appear on display. At this time, you may stir or season food, as desired.
4. Check food for temperature after cooking. If additional time is needed, continue to cook with variable power and time.
5. If the sensor does not detect vapor properly, **ERRRR** will be displayed, and the microwave oven will turn off.
6. Each food has a cooking hint. Touch Help pad when the HELP indicator is lighted in the display.
7. At the end of any cycle, open the door or touch Stop/Clear pad. The time of day will reappear on the display.

SELECTING FOODS:

1. The sensor works with foods at normal storage temperature. For example, food for dinner plate reheat would be at refrigerator temperature and popcorn at room temperature.
2. More or less food than the quantity listed in the charts should be cooked by time and variable power.

COVERING FOODS:

Some foods work best when covered. Use the cover recommended in the chart for these foods.

1. Casserole lid
2. **Plastic wrap:** Use plastic wrap recommended for microwave cooking. Cover dish loosely; allow approximately ½ inch to remain uncovered to allow steam to escape. Plastic wrap should not touch food.
3. **Paper towel:** Use paper towels to absorb excess fat and moisture when cooking bacon and potatoes. Line the turntable when baking potatoes.

4. **Wax paper:** Cover dish completely; fold excess wrap under dish to secure. If dish is wider than paper, overlap two pieces at least one inch to cover. Be careful when removing any covering to allow steam to escape away from you.

REHEAT

TURNTABLE ON:

You can reheat many foods by touching just one pad. You don't need to calculate reheating time or power level. To reheat food with turntable on, simply touch the Reheat pad.

- Suppose you want to heat prepared chili.

Touch Reheat pad.

When sensor detects the vapor emitted from the food, remainder of reheating time will appear. After cooking, follow the instructions on the display.

TURNTABLE OFF:

You may reheat using a 11" x 8" x 2" or 13" x 9" x 2" casserole with the turntable off. First touch Turntable On/Off and note indicator. Then touch Reheat. The display will indicate turntable off and microwave oven will start automatically. After cooking, follow the instructions on the display.

POPCORN

- Suppose you want to pop a 3.5 oz. bag of popcorn.

Touch Popcorn pad once.

This sensor setting works well with most brands of microwave popcorn. You may wish to try several and choose your favorite. Pop only one bag at a time. Unfold the bag and place in oven according to directions.

SENSOR CHART

FOOD	AMOUNT	PROCEDURE
Leftovers such as rice, potatoes, vegetables, casserole.	4 - 32 oz	Place in dish or casserole slightly larger than amount to reheated. Flatten, if possible. Cover with lid, plastic wrap or wax paper. Use covers such as plastic wrap or lids with larger quantities of more dense foods such as stews.
Soup	1 - 4 cups	After reheating, stir well, if possible. Foods should be very hot. If not, continue to heat with variable power and time. After stirring, recover and allow to stand 2 to 3 minutes.
Canned entrees and vegetables	4 - 16 oz	Use Less Time Adjustment by touching Power Level pad twice for small quantities of canned vegetables.
Dinner Plate 1 plate	3 - 6 oz of meat plus vegetables and/or potato/ rice	Use this pad to reheat precooked foods from the refrigerator. Place meaty portions and bulky vegetables to outside of plate. Cut large items like baked potatoes in smaller pieces. Flatten foods such as mashed potatoes and other dense foods. Cover with wax paper or plastic wrap. ONE PLATE ONLY. After cooking, check that food is very hot throughout and that the bottom center of the plate is very hot. If not, continue heating using time and power level. Allow to stand, covered, 2 to 3 minutes.
Popcorn	Only 1 package at a time	Use only popcorn packaged for microwave oven use. Try several brands to decide which you like best. Do not try to pop unpopped kernels. More/Less Time Adjustment can be used to provide adjustment needed for older popcorn or individual tastes.
	3.0 - 3.5 oz bag (Regular size)	Touch Popcorn pad once. This setting works well with most 3.0-3.5 oz bags of microwave popcorn.
	1.5 - 1.75 oz bag (Snack size)	Touch Popcorn pad twice for snack size bags.

SENSOR COOK

- Suppose you want to cook a baked potato.

1. Touch Sensor Cook pad.
2. Select desired sensor setting. Ex: touch number pad **1** to cook baked potatoes.
3. Touch Start/Touch On pad. When sensor detects the vapor emitted from the food, the remainder of cooking time will appear.
Open microwave oven door or touch Stop/Clear pad. The time of day will appear in the display.

SENSOR COOK CHART

FOOD	AMOUNT	PROCEDURE
1. Baked potatoes	1 - 6 medium	Pierce. Place on paper-towel-lined turntable. After cooking, remove from microwave oven, wrap in aluminum foil and let stand 5 to 10 minutes.
2. Frozen vegetables	1 - 6 cups	Cover with lid or plastic wrap. After cooking, stir and let stand 3 minutes, covered.
3. Fresh vegetables, soft		Wash and place in casserole. Add no water if vegetables have just been washed. Cover with lid for tender vegetables. Use plastic wrap for tender-crisp vegetables. Stir before standing if possible. After cooking, let stand, covered, 2-5 minutes.
Broccoli	0.25 - 2.0 lb	
Brussels sprouts	0.25 - 2.0 lb	
Cabbage	0.25 - 2.0 lb	
Cauliflower (flowerets)	0.25 - 2.0 lb	
Cauliflower (whole)	1 medium	
Spinach	0.25 - 1.0 lb	
Zucchini	0.25 - 2.0 lb	
Baked apples	2 - 4 medium	
4. Fresh vegetables, hard		Place in casserole. Add 1-4 tbsp. water. Cover with lid for tender vegetables. Use plastic wrap cover for tender-crisp vegetables. Stir before standing, if possible. After cooking, let stand, covered, 2-5 minutes.
Carrots, sliced	0.25 - 1.5 lb	
Corn on cob	2 - 4 pcs.	
Green beans	0.25 - 1.5 lb	
Winter squash, diced	0.25 - 1.5 lb	
halves	1 - 2	

SENSOR COOK CHART (cont.)

FOOD	AMOUNT	PROCEDURE
5. Frozen entrees	6 - 17 oz	Use for frozen convenience food. It will give satisfactory results for most brands. You may wish to try several and choose your favorite. Remove package from outer wrapping and follow package directions for covering. After cooking, let stand, covered, for 1 to 3 minutes.
6. Hot dogs	1 - 4 servings	Place hot dog in bun and wrap in paper towel or paper napkin.
7. Bacon	2 - 6 slices	Place bacon on paper plate, lined with paper towel. Bacon should not extend over the rim of plate. Cover with paper towel.
8. Fish, seafood	0.25 - 2.0 lb	Arrange in ring around shallow glass dish (roll fillet with edges underneath). Cover with vented plastic wrap. After cooking, let stand, covered, 3 minutes.

MANUAL CONVECTION AND AUTOMATIC MIX COOKING

This section of the Use and Care Manual gives you specific cooking instructions and procedures. Please consult your Viking Convection Microwave Hood Cookbook for helpful hints for convection and combination cooking.

The microwave oven should not be used without the turntable in place, and it should never be restricted so that it cannot rotate. You may remove the turntable when preheating the microwave oven and when preparing food to be cooked directly on the turntable.

Caution: The microwave oven cabinet, cavity, door, turntable, turntable support, racks and dishes will become hot. To PREVENT BURNS, use thick oven gloves when removing the food or turntable from the microwave oven.

CONVECTION COOKING

During convection heating, hot air is circulated throughout the microwave oven cavity to brown and crisp foods quickly and evenly. This microwave oven can be programmed for ten different convection cooking temperatures for up to 99 minutes, 99 seconds.

COOK WITH CONVECTION

- Suppose you want to cook at 350°F for 20 minutes.

1. Touch Convec pad.

2. Select temperature by touching number pad

6
350°F

.

3. Enter cooking time by touching number pads **2****0****0****0**.
4. Touch Start/Touch On pad.

PREHEAT AND COOK WITH CONVECTION

Your microwave oven can be programmed to combine preheating and convection cooking operations. You can preheat to the same temperature as the convection temperature or change to a higher or lower temperature.

- Suppose you want to preheat to 350°F, and then cook 25 minutes at 375°F convection:
 1. Touch Preheat pad.
 2. Select temperature by touching number pad **6**_{350 F}.
 3. Touch Convec pad.
 4. Select temperature by touching number pad **7**_{375 F}.
 5. Enter cooking time by touching number pads **2****5****0****0**.
 6. Touch Start/Touch On pad.

When the microwave oven reaches the programmed temperature, it will automatically hold at the preheat temperature for 30 minutes and then the display will change to time of day. Whenever Stop/Clear pad is touched during this 30 minute period, **PRESS CONVEC** or **PRESS FIX** will be displayed and cooking mode and time can be entered.

Note: To preheat and cook with the same temperature, enter same temperature in steps 2 and 4.

BROIL

Preheating is automatic when the Broil setting is used. Only actual cooking time is entered; the oven signals when it is preheated to 450°F. Oven temperature cannot be changed. Use Broil setting for steaks, chops, chicken pieces and many other foods. See Convection Broiling Chart in cookbook.

- Suppose you want to broil a ham steak for 15 minutes.
 1. Touch Broil pad.
 2. Enter cooking time by touching the number pads **1****5****0****0**.
 3. Touch Start/Touch On pad. No food in oven.

When the microwave oven reaches the programmed temperature, a signal will sound*.

4. Open the door. Place food in oven. Close the door. Touch Start/Touch On pad.

* If the microwave oven door is not opened, the microwave oven will automatically hold at the preheat temperature for 30 minutes. After this time has elapsed, an audible signal will sound and the microwave oven will turn off.

Note:

1. Preheating for broil may take from 7 to 10 minutes depending on temperature of room and available power.
2. Although time is usually set for the maximum broiling time, always check food at the minimum time recommended in the chart of cookbook. This will eliminate the need to completely reprogram the microwave oven if additional cooking time is needed. Simply close the microwave oven door and touch Start/Touch On to continue.

SLOW COOK

Slow Cook is preset at 300°F for 4 hours. The temperature can be changed to below 300°F. The cooking time cannot be changed. This feature can be used for foods such as baked beans or marinated chuck steak.

- Suppose you want to change oven temperature from 300°F to 275°F.
1. Touch Slow Cook pad.
 2. Touch Slow Cook pad once more if you want to change the temperature from 300°F.
 3. Touch temperature pad

3 275°F

.
 4. Touch Start/Touch On pad.

Note: If you do not change the temperature, omit steps 2 and 3.

AUTOMATIC MIX COOKING

This microwave oven has two pre-programmed settings that make it easy to cook with both convection heat and microwave automatically.

	Microwave oven temperature	Microwave power
High Mix/Roast	325°F	30%
Low Mix/Bake	325°F	10%

With the exception of those foods that cook best by convection heating alone, most foods are well suited to mix cooking using either Low Mix/Bake or High Mix/Roast.

The marriage of these two cooking methods produces juicy meats, moist and tender cakes and fine textured breads, all with just the right amount of browning and crispness.

The temperatures can be changed; however, the microwave power cannot.

The microwave oven temperature can be changed from 100°F to 450°F. To change the temperature, first touch High Mix or Low Mix then touch the same pad again. When the display says SELECT TEMP, touch desired temperature pad. Ex: High Mix, High Mix pad,

7

. The mix temperature will change to 375°F automatically.

COOK WITH AUTOMATIC MIX

- Suppose you want to bake a cake for 25 minutes on Low Mix/Bake.
 1. Touch Low Mix/Bake pad.
 2. Enter cooking time by touching number pads **2****5****0****0**.
 3. Touch Start/Touch On pad.

PREHEAT AND COOK WITH AUTOMATIC MIX

Your microwave oven can be programmed to combine preheating and automatic mix cooking operations. You can preheat at the same temperature as the preset combination temperature or change it to a different temperature.

- Suppose you want to preheat to 350°F and then cook 25 minutes on 325°F Low Mix/Bake.
 1. Touch Preheat pad.
 2. Touch temperature pad **6**_{350 F}.
 3. Touch Low Mix pad.
 4. Enter cooking time by touching number pads **2****5****0****0**.
 5. Touch Start/Touch On pad.

When the microwave oven reaches the programmed temperature, signal will sound. The microwave oven will stop and directions will be displayed. Follow the indicated message.

6. Open the door. Place food in the microwave oven. Close the door. Touch Start/Touch On pad.

CONVECTION AUTOMATIC OPERATION

This section of the Use and Care manual offers instructions for preparing 12 popular foods using Convec Broil, Convec Roast and Convec Bake.

After selecting the desired feature, follow the directions indicated in the display.

For helpful hints, simply touch Help pad anytime HELP is lighted in the display.

CONVEC BROIL

Convec Broil automatically broils hamburgers, chicken pieces, steaks and fish steaks.

- Suppose you want to broil 2 hamburgers.
 1. Touch Convec Broil pad.
 2. Select desired setting. Ex: for hamburgers, touch number pad **1**.
 3. Touch number pad **2** for quantity and follow information in display for cooking information.

For well done or rare burgers, touch Power Level pad to select More for well done or Less for rare. See More/Less Time Adjustment on page 37.

4. Touch Start/Touch On pad.

After broil preheat cycle ends, 4 long tones will sound. PREHEAT OVER PLACE FOOD IN OVEN will be displayed repeatedly. Open the door and place hamburgers into microwave oven. Close the door.

5. Touch Start/Touch On pad.

After broil cycle ends, 1 long tone will sound and END will be displayed.

Note:

1. Convec Broil can be programmed with More/Less Time Adjustment. See page 37.
2. If you attempt to enter more or less than the allowed amount as indicated in chart below, an error message will appear in the display.
3. To broil other foods or foods above or below the weight or number allowed on Convec Broil Chart follow instructions in the Viking Convection Microwave Hood Cookbook. See Convection Broiling Chart.

CONVEC BROIL CHART

SETTING/FOOD	AMOUNT	PROCEDURE
1. Hamburgers	1 - 8 pcs 0.25 lb each	Use this setting to broil hamburger patties. Place on low rack.
2. Chicken pieces	0.5 - 3.0 lb	Arrange pieces on low rack. After cooking, let stand, 3-5 minutes. Dark meat should be 180°F, and white meat should be 170°F.
3. Steaks	0.5 - 2.0 lb	Use this setting to broil steaks from ¾" to 1" thick. Individual boneless steaks broil evenly. Place steak on low rack. For well done, touch Power Level once; for rare, touch Power Level twice.
4. Fish steaks	0.5 - 2.0 lb	Use this setting to broil fish steak which is ¾" to 1" thick. Place on low rack.

CONVEC ROAST

Convec Roast automatically roasts chicken, turkey, turkey breast or pork.

- Suppose you want to roast a 2.5 pound chicken.
 1. Touch Convec Roast pad.
 2. Select desired setting. Ex: for chicken, touch number pad **1**.
 3. Touch number pad to enter weight. Ex: **2****5** lb.
 4. Touch Start/Touch On pad.

After Convec Roast cycle ends, a long tone will sound. Follow the indicated message.

Note:

1. Convec Roast can be programmed with More/Less Time Adjustment. See page 37.
2. If you attempt to enter more or less than the allowed weight as indicated in chart below, an error message will appear in the display.
3. To roast other food or foods above or below the weights allowed on Convec Roast Chart, check the Viking Convection Microwave Hood Cookbook Combination Roasting Chart.

CONVEC ROAST CHART

SETTING/FOOD	AMOUNT	PROCEDURE
1. Chicken	2.5 - 7.0 lb	Place on low rack. After the cycle ends, cover with foil and let stand for 5-10 minutes.
2. Turkey	6.5 - 9.0 lb	Season, as desired. Place on low rack. After the cycle ends, cover with foil and let stand 10 minutes. Internal temperature of white meat should be 170°F and of dark meat, 180°F.
3. Turkey breast	3.0 - 6.0 lb	Season, as desired. Place on low rack. After the cycle ends, cover with foil and let stand 10 minutes. Internal temperature of white meat should be 170°F.
4. Pork	2.0 - 3.5 lb	Boneless pork loin is recommended because it cooks evenly. Place on a low rack. After cooking, remove from oven, cover with foil and allow to stand 5-10 minutes. Internal temperature should be 160°F.

CONVEC BAKE

Convec Bake automatically bakes cakes, brownies, muffins and French fries.

- Suppose you want to bake a 13"x 9"x 2" cake.

1. Touch Convec Bake pad.
2. Select desired setting. Ex: for cake, touch number pad **1**.
3. Touch Start/Touch On pad.

After Convec Bake preheat cycle ends, 4 long tones will sound. **PREHEAT OVER PLACE FOOD IN OVEN** will be displayed repeatedly. Open the door and place pan into microwave oven. Close the door.

4. Touch Start/Touch On pad.

After Convec Bake cycle ends, 1 long tone will sound and **END** will be displayed.

Note:

1. Convec Bake can be programmed with More/Less Time Adjustment. See page 37.
2. To bake other foods, see the Viking Convection Microwave Hood Cookbook's baking section.

CONVEC BAKE CHART

SETTING/ FOOD	PAN SIZE/ QTY	PROCEDURE
1. Cake	13"x9"x2"	Ideal for packaged cake mix or your own recipe. Prepare according to package or recipe directions and place in a greased and floured 13"x9"x2" pan. After the preheat is over, place pan in microwave oven centered on low rack. Cool before frosting and serving.
2. Brownies	13"x9"x2"	Ideal for packaged brownie mix or your own recipe for 13"x9"x2" pan. Prepare according to package or recipe directions and place in a greased and floured 13"x9"x2" baking pan. After the preheat is over, place pan in microwave oven centered on low rack. Cool before cutting into serving pieces.
3. Muffins	12 cup muffin pans	Ideal for packaged muffin mix or your own recipe for 12 medium size muffins. Prepare according to package or recipe directions and place in one 12-cup muffin pan. After the preheat is over, place pan in microwave oven centered on low rack.

4. French fries	3 - 24 oz Cookie sheet to hold	Use frozen prepared French fries. No preheat is required for the French fries baking procedure. Place French fries on cookie sheet on low rack. For shoestring potatoes, touch Power Level pad twice to enter less time before touching Start/Touch On pad.
-----------------	--------------------------------------	---

OTHER CONVENIENT FEATURES

HELP (CONTROL PAD)

Help provides 5 features which make using your microwave oven easy because specific instructions are provided in the interactive display.

1. CHILD LOCK

The Child Lock prevents unwanted microwave oven operation such as by small children. The microwave oven can be set so that the control panel is deactivated or locked. To set, touch Help, the number **[1]** and Start/Touch On pads. Should a pad be touched, LOCK will appear in the display.

To cancel, touch Help and Stop/Clear pads.

2. AUDIBLE SIGNAL ELIMINATION

If you wish to have the microwave oven operate with no audible signals, touch Help, the number **[2]** and Stop/Clear pads.

To cancel and restore the audible signal, touch Help, the number **[2]** and Start/Touch On pads.

3. AUTO START

If you wish to program your microwave oven to begin cooking automatically at a designated time of day, follow this procedure:

- Suppose you want to start cooking a stew on 50% for 20 minutes at 4:30. Before setting, check to make sure the clock is showing the correct time of day.
 1. Touch Help pad.
 2. Touch number **[3]** to select the Auto Start.
 3. To enter the start time at 4:30, touch numbers **[4][3][0]**.
 4. Touch Clock pad.
 5. To enter cooking program, touch Power Level, number **[5]** for 50% power and then touch numbers **[2][0][0][0]** for cooking time.
 6. Touch Start/Touch On pad.

Note:

1. Auto Start can be used for manual cooking, Convec Broil, Convec Roast, Convec Bake, if clock is set.
2. If the microwave oven door is opened after programming Auto Start, it is necessary to touch the Start/Touch On pad for Auto Start time to appear in the readout so that the microwave oven will automatically begin programmed cooking at the chosen Auto Start time.
3. Be sure to choose foods that can be left in the microwave oven safely until the Auto Start time. Baked potatoes are often a good choice.

4. LANGUAGE SELECTION

The microwave oven comes set for English. To change, touch Help and the number **4** pads. Continue to touch the number **4** pad until your choice is selected. Then, touch Start/Touch On pad.

Touch number **4** once for English.

Touch number **4** twice for Spanish.

Touch number **4** three times for French.

5. WEIGHT AND TEMPERATURE SELECTIONS

The microwave oven comes set for U.S. Customary Unit-pounds. To change, touch Help and the number **5**. Continue to touch the number **5** until your choice is selected. Then, touch Start/Touch On pad.

Touch number **5** once for LB / °F.

Touch number **5** twice for KG / °C.

MULTIPLE SEQUENCE COOKING

The microwave oven can be programmed for up to 4 automatic cooking sequences for the microwave mode and 2 automatic cooking sequences with preheat for convection/mix mode, switching from one power level setting to another automatically.

Sometimes cooking directions tell you to start on one power level and then change to a different power level. Your microwave oven can do this automatically.

- Suppose you want to cook roast beef for 5 minutes at 90% and then continue to cook for 30 minutes at 50%.
1. Touch Power Level pad once and touch number pad **9** for 90% power.
 2. Enter first cooking time by touching number pad **500**.
 3. Touch Power Level pad again and touch number pad **5** for 50% power.
 4. Then enter second cooking time by touching number pad **3000**.
 5. Touch Start/Touch On pad.

Note:

1. If Power Level pad is touched twice, HIGH will be displayed.
2. If you wish to know power level, simply touch the Power Level pad. As long as your finger is touching the Power Level pad, the power level will be displayed.

TIMER

- Suppose you want to time a 3 minute long distance phone call.
1. Touch Timer pad.
 2. Enter time by touching the number pads **300**.
 3. Touch Start/Touch On pad.

MORE OR LESS TIME ADJUSTMENT

MORE: Should you discover that you like any of the Sensor, Sensor Cook, Defrost, Convec Broil, Convec Roast or Convec Bake settings slightly more done, touch the Power Level pad **once** after touching your choice of pads.

LESS: Should you discover that you like any of the Sensor, Sensor Cook, Defrost, Convec Broil, Convec Roast or Convec Bake settings slightly less done, touch the Power Level pad **twice** after touching your choice of pads.

ADD-A-MINUTE

Add-A-Minute allows you to cook for a minute at 100% by simply touching the Add-A-Minute pad. You can also extend cooking time in multiples of 1 minute by repeatedly touching the Add-A-Minute pad during manual cooking.

- Suppose you want to heat a cup of soup for one minute.

Touch Add-A-Minute pad.

Note:

1. To use Add-A-Minute, touch pad within 1 minute after cooking, closing the door, touching the Stop/Clear pad or during cooking.
2. Add-A-Minute cannot be used with Sensor, Sensor Cook, Defrost, Convec Broil, Convec Roast or Convec Bake.

TOUCH ON

Touch On allows you to cook at 100% power by touching the Start/Touch On pad continuously. Touch On is ideal for melting cheese, bringing milk to just below boiling etc.

The maximum cooking time is 3 minutes.

- Suppose you want to melt cheese on a piece of toast:

1. Continuously touch the Start/Touch On pad. The cooking time will begin counting up.
2. When the cheese is melted to desired degree, remove finger from Start/Touch On pad. Microwave oven stops immediately.

Note:

1. Note time it takes for frequently used foods and program that time in the future.
2. To use Touch On, touch pad within 1 minute after cooking, opening and closing the door or touching the Stop/Clear pad.
3. Touch On can only be used 3 times in a row. If more times are needed, open and close door or touch Stop/Clear.

HELP (DISPLAY INDICATOR)

Each setting of Defrost, Convec Broil, Convec Roast, Convec Bake, Sensor Cook and Sensor has a cooking hint. If you wish to check, touch HELP pad whenever HELP is lighted in the Interactive Display for these hints.

DEMONSTRATION MODE

To demonstrate, touch Clock, the number **0** and then touch Start/Touch On pad and hold for 3 seconds. **DEMO ON DURING DEMO NO OVEN POWER** and **DEMO** will appear in the display. Cooking operations and specific special features can now be demonstrated with no power in the microwave oven. For example, touch Add-A-Minute pad and the display will show **1:00** and count down quickly to **END**.

To cancel, touch Clock, then the number **0** and Stop/Clear pads. If easier, unplug the microwave oven from the electrical outlet and replug.

CLEANING AND CARE

Disconnect the power cord before cleaning or leave the door open to inactivate the microwave oven during cleaning.

EXTERIOR

The outside surface is painted. Clean the outside with mild soap and water; rinse and dry with a soft cloth. Do not use any type of household or abrasive cleaner.

DOOR

Wipe the window on both sides with a damp cloth to remove any spills or spatters. Metal parts will be easier to maintain if wiped frequently with a damp cloth. Avoid the use of spray and other harsh cleaners as they may stain, streak or dull the door surface.

TOUCH CONTROL PANEL

Care should be taken in cleaning the touch control panel. If the control panel becomes soiled, open the microwave oven door before cleaning. Wipe the panel with a cloth dampened slightly with water only. Dry with a soft cloth. Do not scrub or use any sort of chemical cleaners. Close door and touch Stop/Clear pad.

INTERIOR - AFTER MICROWAVE COOKING

Cleaning is easy because little heat is generated to the interior surfaces; therefore, there is no baking and setting of spills or spattering. To clean the interior surfaces, wipe with a soft cloth and warm water. **DO NOT USE ABRASIVE OR HARSH CLEANERS OR SCOURING PADS.** For heavier soil, use baking soda or a mild soap; rinse thoroughly with hot water. **NEVER SPRAY OVEN CLEANERS DIRECTLY ONTO ANY PART OF THE MICROWAVE OVEN.**

INTERIOR - AFTER CONVECTION, MIX OR BROIL COOKING

Spatters may occur because of moisture and grease. Wash immediately after use with hot, soapy water. Rinse and polish dry. Harder to remove spatters may

occur if microwave oven is not thoroughly cleaned or if there is long time/high temperature cooking. If so, you may wish to purchase an oven cleaner pad with liquid cleaner within it—not a soap filled steel pad—for use on stainless or porcelain surfaces. Follow manufacturer's directions carefully and be especially cautious not to get any of the liquid cleaner in the perforations on the wall or ceiling or any door surfaces. Rinse thoroughly and polish dry.

WAVEGUIDE COVER

The waveguide cover is made from mica so it requires special care. Keep the waveguide cover clean to assure good microwave oven performance. Carefully wipe with a damp cloth any food splatters from the surface of the cover immediately after they occur. Built-up splashes may overheat and cause smoke or possibly catch fire. Do not remove the waveguide cover.

ODOR REMOVAL

Occasionally, a cooking odor may remain in the microwave oven. To remove, combine 1 cup water, grated peel and juice of 1 lemon and several whole cloves in a 2-cup glass measuring cup. Boil for several minutes using 100% power. Allow to set in microwave oven until cool. Wipe interior with a soft cloth.

TURNTABLE/TURNTABLE SUPPORT

The ceramic turntable and turntable support can be removed for easy cleaning. Wash them in mild, sudsy water; for stubborn stains use a mild cleanser and scouring sponge as described above. They are also dishwasher-safe using top rack.

MICROWAVE OVEN RACKS

The high and low baking racks can be removed for easy cleaning and stored away from the microwave oven when racks are not needed. After each use, wash them in mild, sudsy water. For any stubborn stains, use a mild kitchen cleanser and scouring sponge as described above. They are dishwasher-proof.

GREASE FILTERS

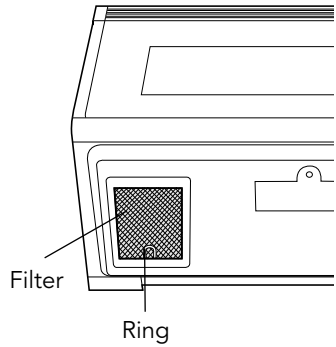
Filters should be cleaned at least once a month. Never operate the fan or microwave oven without the filters in place.

1. Pull the ring toward the front of the microwave oven, down slightly and remove the filter. Repeat for the other filter.
2. Soak the filters in a sink or dish pan filled with hot water and detergent. DO NOT use ammonia or other alkali; they will react with the filter material and darken it.
3. Agitate and scrub with a brush to remove embedded dirt.
4. Rinse thoroughly and shake dry.
5. Replace by fitting the filter back into the opening.

FAN

The fan will automatically start when heat rises from the cooking surface and when convection, high mix, low mix or the broil settings are used. This protects the microwave oven from excessive temperature rise. The fan will stay on until the temperature decreases. It cannot be turned off manually during this time.

For other uses, select either high or low speed.

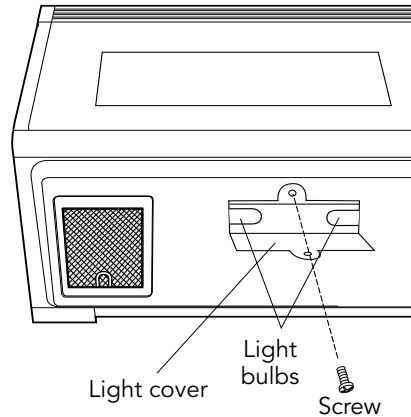


PRECAUTIONS FOR PROPER USE:

1. DO NOT leave cooking surface unattended while using high temperatures. Automatic fan may start and provide excessive air to the surface units. This may cause spattering or boilover.
2. Avoid burning food.
3. Keep grease filters clean.

LIGHT

1. To replace light bulbs, first disconnect power to the microwave oven at the circuit breaker panel or by unplugging.
2. To release cover remove the screw on the light cover. (See illustration.)
3. Replace bulbs with only 20 watt and 40 watt bulbs. These are available at most hardware stores or lighting centers. The unit will be shipped with one 20 watt bulb and one 40 watt bulb. DO NOT USE A BULB LARGER THAN 40 WATTS.



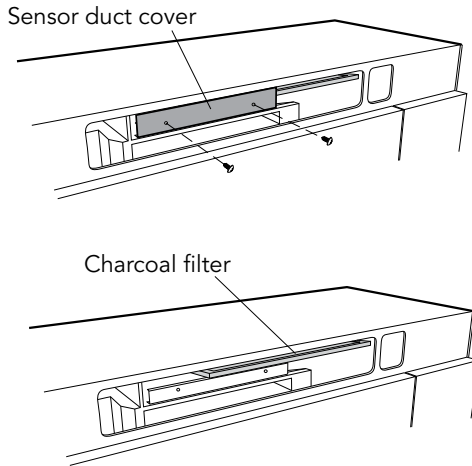
4. Close light cover and secure with screw removed in step 2.

Cautions: Light cover may become very hot. Do not touch glass when light is on. Do not use light for long time use such as a night light.

CHARCOAL FILTER

Charcoal Filter is used for Non-vented, recirculated installation. The filter should be changed every 6 to 12 months depending on use.

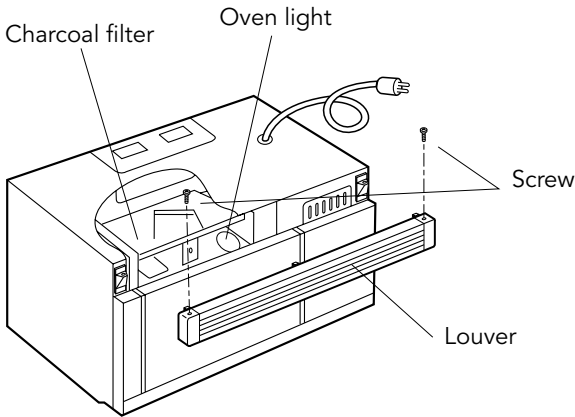
1. Disconnect power to the oven at the circuit breaker panel or by unplugging.
2. Remove 2 screws that secure louver.
3. Remove louver by gently moving louver and pull away from unit.
4. Remove 2 screws that secure the sensor duct cover.
5. Remove the sensor duct cover.
6. Remove old charcoal filter (if one is installed).
7. Slide new charcoal filter into position on the support tabs.
8. Reattach sensor duct cover and secure with 2 screws.
9. Push louver back into place and replace the 2 screws to secure louver.



MICROWAVE OVEN LIGHT

Remove the louver per instructions 1-3 on CHARCOAL FILTER section (page 41) and charcoal filter, if used.

4. Slide the light cover forward and lift up.
5. Remove old light bulb and replace only with a 20 watt bulb available at most hardware stores or lighting centers. **DO NOT USE A BULB LARGER THAN 30 WATTS.**
6. Replace the microwave oven light cover and charcoal filter, if used; push louver back in place and replace the louver mounting screws.



SPECIFICATIONS

AC Line Voltage:	UL Rating - Single phase 120V, 60Hz, AC only CSA Rating - Single phase 116V, 60Hz, AC only
AC Power Required:	UL Rating - Microwave 1.60 kw, 13.2 amps. UL Rating - Convection 1.60 kw, 13.2 amps. CSA Rating - Microwave 1.5 kw, 13.0 amps. CSA Rating - Convection 1.5 kw, 13.0 amps.
Output Power	
Microwave:	850 watts*
Convection Heater:	1400 watts
Frequency:	2450 MHz
Outside Dimensions:	29 ¹⁵ / ₁₆ "(W) x 16 ¹¹ / ₃₂ "(H) x 15 ⁹ / ₃₂ "(D)
Cavity Dimensions:	17 ¹ / ₈ "(W) x 8 ¹ / ₁₆ "(H) x 13 ¹³ / ₁₆ "(D)
Microwave oven Capacity:**	1.1 Cu. Ft.
Cooking Uniformity:	Turntable and Stirrer Fan
Weight:	Approx. 71 lb


* The International Electrotechnical Commission's standardized method for measuring output wattage. This test method is widely recognized.

** Internal capacity is calculated by measuring maximum width, depth and height. Actual capacity for holding food is less.

In compliance with standards set by:

FCC – Federal Communications Commission Authorized.

DHHS – Complies with Department of Health and Human Services (DHHS) rule, CFR, Title 21, Chapter I, Subchapter J.

 – This symbol on the nameplate means the product is listed by Underwriters Laboratories, Inc. for use in USA or Canada.

NHW – Department of National Health and Welfare of Canada.

This microwave oven is listed by the Canadian Standard Association as certified.

SERVICE CALL CHECK

Please check the following before calling for service:

1. Place one cup of water in a glass measuring cup in the microwave oven and close the door securely.

Operate the microwave oven for one minute at HIGH 100%.

A Does the microwave oven light come on? YES ____ NO ____

B Does the cooling fan work? YES ____ NO ____
(Put your hand over the rear ventilating openings.)

C Does the turntable rotate? YES ____ NO ____
(It is normal for the turntable to turn in either direction.)

D Is the water in the microwave oven warm? YES ____ NO ____

2. Remove water from the oven and operate the oven for 5 minutes at Convec 450°F.

Operate the microwave oven for one minute at HIGH 100%.

A Do CONV and COOK indicators light? YES ____ NO ____

B After the oven shuts off, is inside of the microwave oven hot? YES ____ NO ____

If "NO" is the answer to any of the above questions, please check electrical outlet, fuse and/or circuit breaker. If they are functioning properly, CONTACT YOUR NEAREST VIKING AUTHORIZED SERVICER.

A microwave oven should never be serviced by a "do-it-yourself" repair person.

Note: If time appearing in the display is counting down very rapidly, check Demonstration Mode on page 38 and cancel.

MICROWAVE OVEN WARRANTY

THREE YEAR FULL WARRANTY

Viking Microwave Oven and all of their component parts and accessories, except as detailed below*, are warranted to be free from defective materials or workmanship in normal household use for a period of thirty-six (36) months from the date of original retail purchase. Viking Range, LLC, warrantor, agrees to repair or replace, at its option, any part which fails or is found to be defective during the warranty period.

* Glass (including light bulbs), painted and decorative items are warranted to be free from defective materials or workmanship for a period of ninety (90) days from the date of original retail purchase. ANY DEFECTS MUST BE REPORTED TO THE SELLING DEALER WITHIN NINETY (90) DAYS FROM DATE OF ORIGINAL RETAIL PURCHASE.

FIVE YEAR LIMITED WARRANTY

If the magnetron tube fails due to defective materials or workmanship in normal household use during the second through fifth year from the date of original retail purchase it will be repaired or replaced, free of charge for the part itself, with the owner paying all other costs, including labor.

This warranty extends to the original purchaser of the product warranted hereunder and to each transferee owner of the product during the term of the warranty.

This warranty shall apply to products purchased and located here in the United States and Canada. Products must be purchased in the country where service is requested. Warranty labor shall be performed by an authorized Viking Range, LLC service agency or representative. Warranty shall not apply to damage resulting from abuse, accident, natural disaster, loss of electrical power to the product for any reason, alteration, outdoor use, improper installation, improper operation or repair or service of the product by anyone other than an authorized Viking Range, LLC service agency or representative. This warranty does not apply to commercial usage. Warrantor is not responsible for consequential or incidental damage whether arising out of breach of warranty, breach of contract, or otherwise. Some jurisdictions do not allow the exclusion or limitation of incidental or consequential damages, so the above limitation or exclusion may not apply to you.

Owner shall be responsible for proper installation, providing normal care and maintenance, providing proof of purchase upon request, and making the appliance reasonably accessible for service. If the product or one of its component parts contains a defect or malfunction during the warranty period, after a reasonable number of attempts by the warrantor to remedy the defects or malfunctions, the owner is entitled to either a refund or replacement of the product or its component part or parts. Warrantor's liability on any claim of any kind, with respect to the goods or services covered hereunder, shall in no case exceed the price of the goods or service or part thereof which gives rise to the claim.

WARRANTY SERVICE: Under the terms of this warranty, service must be performed by a factory authorized Viking Range, LLC service agent or representative. Service will be provided during normal business hours, and labor performed at overtime or premium rates shall not be covered by this warranty. To obtain warranty service, contact the dealer from whom the product was purchased, an authorized Viking Range, LLC service agent, or Viking Range, LLC. Provide model and serial number and date of original purchase. For the name of your nearest authorized Viking Range, LLC service agency, call the dealer from whom the product was purchased or Viking Range, LLC. IMPORTANT: Retain proof of original purchase to establish warranty period.

The return of the Owner Registration Card is not a condition of warranty coverage. You should, however, return the Owner Registration Card so that Viking Range, LLC can contact you should any question or safety arise which could affect you.

Any implied warranties of merchantability and fitness applicable to the above described elements or parts are limited in duration to the period of coverage of the applicable express written limited warranties set forth above. Some jurisdictions do not allow limitations on how long an implied warranty lasts, so the above limitation may not apply to you. This warranty gives you specific legal rights, and you may also have other rights which may vary from jurisdiction to jurisdiction.

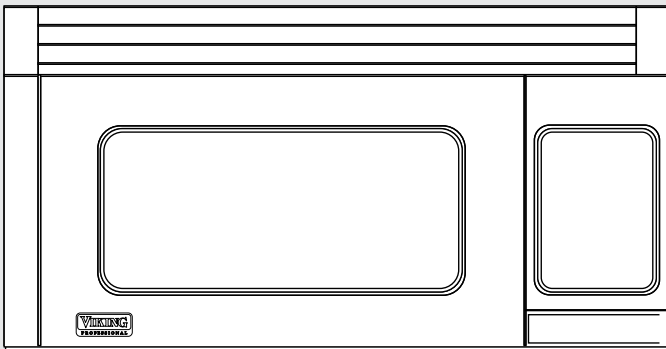
Viking Range, LLC

111 Front Street

Greenwood, Mississippi (MS) 38930 USA (888) 845-4641

Specifications subject to change without notice
For more product information, call 1-888-VIKING1 (845-4641)
or visit the Viking web site at <http://www.vikingrange.com>

Viking Manual de Uso y Cuidado



Horno Microondas Por Convección Para Empotrado

INFORMACIÓN DE SERVICIO

Si se necesita servicio:

1. Llame a su distribuidor o agencia de servicio autorizada. Puede obtener el nombre de la agencia de servicio autorizada llamando a su distribuidor local.
2. Debe tener disponible la siguiente información:
 - a. Número de modelo
 - b. Número de serie
 - c. Fecha de compra
 - d. Nombre del distribuidor al que le realizó la compra
3. Describa claramente el problema que tiene.

Si no puede obtener el nombre de una agencia de servicio autorizada o si continúa teniendo un problema de servicio, comuníquese con Viking Range, LLC al (888) 845-4641 o escriba a:

VIKING RANGE, LLC
PREFERRED SERVICE
111 Front Street
Greenwood, Mississippi (MS) 38930 EE.UU.

Coloque la información que se indica a continuación. Será necesaria si alguna vez requiere del servicio. El número de modelo y de serie de su horno microondas se encuentra en la etiqueta de identificación al lado izquierdo de la cavidad del horno microondas.

Número de modelo _____ Número de serie _____

Fecha de compra _____ Fecha de instalación _____

Distribuidor _____

Dirección _____

Si el servicio requiere de instalación de partes, use sólo las partes autorizadas para garantizar la protección bajo la garantía.

CONSERVE ESTE MANUAL PARA REFERENCIA FUTURA

TABLA DE CONTENIDOS

2 INFORMACIÓN DE SERVICIO	29 Broil (Asar)
3 TABLA DE CONTENIDOS	29 Cocción lenta
4-5 INSTRUCCIONES DE SEGURIDAD IMPORTANTES	30-31 Cocción mixta automática
5 PRECAUCIONES PARA EVITAR POSIBLES EXPOSICIONES AL EXCESO DE ENERGÍA DEL MICROONDAS	30-31 Mixto/Hornear bajo
6 DESEMBALAJE Y VERIFICACIÓN DE SU HORNO MICROONDAS	30 Mixto/Asar alto
6 INSTRUCCIONES DE CONEXIÓN A TIERRA	30 Cocinar con función mixta automática
7-14 INFORMACIÓN QUE DEBE CONOCER	30-31 Precalentar y cocinar con función mixta automática
7 Sobre su horno microondas	31-34 OPERACIÓN AUTOMÁTICA POR CONVECCIÓN
7-8 Sobre los niños y el horno microondas	31-32 Convec Broil (Asar a la parrilla por convección)
8-9 Sobre los alimentos	32 Tabla Convec Broil
9-12 Sobre los utensilios y envolturas	32-33 Convec Roast (Asar por convección)
13 Sobre la cocción por microondas	33 Tabla Convec Roast
14 Sobre la seguridad	33-34 Convec Bake (Hornear por convección)
15-17 NOMBRES DE LAS PARTES	34 Tabla Convec Bake
15-16 Partes del horno microondas	35-38 OTRAS CARACTERÍSTICAS PRÁCTICAS
16 Accesorios	35-36 Help (Ayuda - Botón de Control)
17 Panel de control	36 Cocción en secuencias múltiples
18 ANTES DE LA OPERACIÓN	37 Timer (Temporizador)
18 Para configurar el reloj	37 Mayor o menor ajuste de tiempo
18 Stop/Clear (Parar/Borrar)	37 Add-A-Minute (Agregue-un-minuto)
19-21 OPERACIÓN MANUAL DEL MICROONDAS	37-38 Touch On (Restablecer)
19 Tiempo de cocción en microondas	38 Help (Ayuda - Indicador en pantalla)
19 Para fijar el nivel de potencia	38 Modo de demostración
20 Keep Warm (Conservar caliente)	38-42 LIMPIEZA Y CUIDADO
20 Luz de la campana / Ventilador de la campana	38 Parte externa
20-21 Turntable ON/OFF (Plato giratorio encendido/apagado)	38 Puerta
21-27 CARACTERÍSTICAS DEL MICROONDAS	39 Panel de control táctil
21-22 Defrost (Descongelar)	39 Parte interna - después de la cocción por microondas
22 Tabla para descongelar	39 Parte interna - después de la cocción por convección, mixta o asar
22-23 Manual Defrost (Descongelamiento manual)	39 Cubierta de la guía de onda
23-24 Cocción por sensor	39 Eliminación de olores
24 Reheat (Recalentamiento)	40 Plato giratorio/Soporte del plato giratorio
25 Palomitas de maíz	40 Rejillas del horno microondas
25-26 Tabla de sensores	40 Filtros para grasa
26 Sensor Cook (Sensor de cocción)	40 Ventilador
26-27 Tabla de Sensor Cook	41 Luz
27-31 COCCIÓN MIXTA MANUAL POR CONVECCIÓN Y AUTOMÁTICA	41 Filtro de carbón vegetal
28 Cocción por convección	42 Luz del horno microondas
28 Cocinar por convección	43 ESPECIFICACIONES
28 Precalentar y cocinar por convección	44 REVISIÓN PARA SOLICITUD DE SERVICIO
	45 GARANTÍA DEL HORNO MICROONDAS

INSTRUCCIONES DE SEGURIDAD IMPORTANTES

Al usar artefactos eléctricos deben tomarse precauciones de seguridad básicas, incluyendo las siguientes:

ADVERTENCIA - Para reducir el riesgo de quemaduras, choque eléctrico, incendios, lesiones a personas o exposición al exceso de energía del microondas:

1. LEA TODAS LAS INSTRUCCIONES ANTES DE USAR EL ARTEFACTO.
2. Lea y siga la sección específica "PRECAUCIONES PARA EVITAR LA POSIBLE EXPOSICIÓN AL EXCESO DE ENERGÍA DEL MICROONDAS" en la página 5.
3. Este electrodoméstico debe ser conectado a tierra. Conéctela únicamente a un tomacorriente puesto a tierra adecuadamente. Vea "INSTRUCCIONES DE CONEXIÓN ELÉCTRICA A TIERRA" en la página 7.
4. Instale o coloque este artefacto sólo de acuerdo a las instrucciones de instalación proporcionadas.
5. Algunos productos como huevos enteros y recipientes sellados—por ejemplo, frascos de vidrio cerrados—pueden explotar y no deben ser calentados en este horno.
6. Use este artefacto sólo para el uso destinado como se describe en este manual.
No use productos químicos corrosivos ni vapores en este artefacto. Este tipo de horno microonda está diseñado específicamente para calentar, cocinar o deshidratar los alimentos. No está diseñado para uso industrial o de laboratorio.
7. Como cualquier artefacto, una supervisión adecuada es necesaria cuando lo usen los niños.
8. No haga funcionar este artefacto si el cable de energía o enchufe están dañados, si no funciona apropiadamente o si tiene daños o se ha caído.
9. Este artefacto debe recibir servicio sólo del personal de servicio calificado.
Comuníquese con el Personal de servicio autorizado de Viking más cercano para una evaluación, reparación o ajuste.
10. No cubra ni bloquee ninguna ranura u orificio del artefacto.
11. No guarde ni use este artefacto en exteriores. No use este producto cerca del agua—por ejemplo, cerca del fregadero de la cocina, en un sótano húmedo, de piscinas o lugares similares.
12. No sumerja el cable de energía o enchufe en el agua.
13. Mantenga el cable alejado de superficies calientes.
14. No deje que el cable cuelgue sobre el borde de la mesa o mostrador.
15. Vea las instrucciones para limpiar la superficie de la puerta en la página 38.
16. Para reducir el riesgo de incendios en la cavidad del horno microondas:
 - a. No cocine demasiado los alimentos. Esté atento cuando se coloquen papeles, plástico o cualquier material combustible dentro del horno microondas para facilitar la cocción.
 - b. Retire los lazos de alambre de las bolsas de papel o plásticas antes de colocarlas en el horno.
 - c. **Si los materiales dentro del horno microondas empiezan a arder, mantenga cerrada la puerta del horno, apáguelo y desconecte el cable de alimentación**

o desconecte la energía en la caja de fusibles o en el panel del interruptor automático.

- d. No use la cavidad para almacenar objetos. No deje productos de papel, utensilios de cocina o alimentos en la cavidad cuando no lo use.
- 17. Los líquidos, como agua, café o té pueden sobrecalentarse más allá del punto de ebullición sin que pueda notarse que están hirviendo. No siempre habrá burbujas o vapor de ebullición visibles al retirar el recipiente del horno microondas. **ESTO PUEDE CAUSAR UN DERRAME IMPREVISTO DE LÍQUIDOS DEMASIADO CALIENTES AL INTRODUCIR UNA CUCHARA U OTRO UTENSILIO EN EL LÍQUIDO.**
Para reducir el riesgo de lesiones a personas:
 - a. No sobrecaliente el líquido.
 - b. Revuelva el líquido antes y a la mitad del calentamiento.
 - c. No use un recipiente de paredes rectas y cuello angosto. Use un recipiente de boca ancha.
 - d. Después de calentar, deje el recipiente en el horno microondas por lo menos 20 segundos antes de retirarlo.
 - e. Use extremo cuidado cuando coloque una cuchara u otro utensilio en el recipiente
- 18. Limpie las ranuras de ventilación y filtros de grasa con frecuencia—no permita que la grasa se acumule en las ranuras de ventilación, rejillas de ventilación o filtros para grasa.
- 19. Tenga cuidado al limpiar la rejilla de ventilación y los filtros de grasa. Los agentes de limpieza corrosivos como los limpiadores con lejía, pueden dañar la rejilla de ventilación y los filtros de grasa.
- 20. Cuando esté cocinando alimentos debajo de la campana, encienda el ventilador.
- 21. Este artefacto es adecuado para usarlo encima de una cocina a gas o eléctrica de 36" de ancho o menos.

PRECAUCIONES PARA EVITAR POSIBLES EXPOSICIONES AL EXCESO DE ENERGÍA DEL MICROONDAS

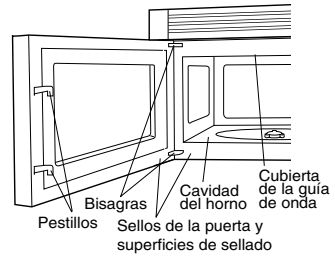
- (a) No trate de operar este horno con la puerta abierta ya que la operación puede provocar una exposición perjudicial a la energía del microondas. No altere o manipule indebidamente los interbloques de seguridad.
- (b) No coloque ningún objeto entre la parte frontal del horno y la puerta ni deje que se acumule restos de limpiadores o suciedad en las superficies de sellado.
- (c) No opere el microondas si tiene daños. Es muy importante que la puerta del horno se cierre correctamente y que no hayan daños en: (1) puerta (doblada), (2) bisagras y pestillos (dañados o sueltos), (3) sellos de la puerta y superficies de sellado.
- (d) El horno sólo debe ser ajustado o reparado por el personal de servicio calificado apropiado.

DESEMBALAJE Y VERIFICACIÓN DE SU HORNO MICROONDAS

Retire los materiales de empaque que están dentro de la cavidad del horno microondas; sin embargo, **NO RETIRE LA CUBIERTA DE LA GUÍA DE ONDA** que se encuentra en la pared superior de la cavidad. Lea los anexos y **GUARDE** el Manual de uso y cuidado.

Si hay una etiqueta adhesiva en la parte exterior de la puerta, retírela.

Revise que el horno no tenga daños como puertas torcidas o mal alineadas, sellos de puerta y superficies del cierre hermético dañados, bisagras y pestillos rotos o flojos y abolladuras en la cavidad o en la puerta. Si encuentra algún daño, no opere el horno y comuníquese con su distribuidor o **PERSONAL DE SERVICIO AUTORIZADO DE VIKING**.



INSTRUCCIONES DE CONEXIÓN A TIERRA

Este electrodoméstico debe ser conectado a tierra. Este horno microondas está equipado con un cable que tiene un alambre de tierra y un enchufe con toma a tierra. Éste se debe conectar en un tomacorriente de pared instalado y conectado a tierra apropiadamente de acuerdo con el Código Eléctrico Nacional y los códigos y reglamentos locales. En caso que se produzca un cortocircuito eléctrico, la conexión a tierra reduce el riesgo de descarga eléctrica proporcionando una vía de escape para la corriente eléctrica.

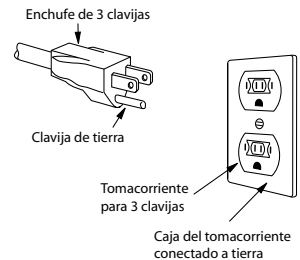
ADVERTENCIA – El uso inapropiado del enchufe con conexión a tierra puede causar una descarga eléctrica.

REQUISITOS ELÉCTRICOS

Consulte las instrucciones de instalación para la correcta ubicación del suministro de energía.

Los requisitos eléctricos son 120 voltios, 60 Hz, sólo CA, 15 amperios o más de suministro protegido de electricidad. Se recomienda un circuito por separado que sea sólo para este electrodoméstico.

El horno microondas está equipado con un enchufe con toma a tierra de tres clavijas. Éste se debe conectar en un tomacorriente de pared instalado y conectado a tierra apropiadamente. **BAJO NINGUNA CIRCUNSTANCIA CORTE O RETIRE LA CLAVIJA DEL ENCHUFE.**



Nota:

1. Si tiene alguna pregunta sobre las instrucciones eléctricas o de conexión a tierra, consulte a un electricista calificado o al encargado de brindar el servicio.
2. Viking y el distribuidor no aceptan ninguna responsabilidad por los daños al horno microondas o las lesiones personales causadas por no seguir los procedimientos de conexión eléctrica correctos.

INTERFERENCIA DE RADIO O TELEVISIÓN

Si hay interferencia causada por el horno microondas en su radio o TV, revise que el horno tenga un circuito eléctrico distinto, aleje la radio o TV del horno lo más que pueda o revise la posición y señal de la antena de recepción.

INFORMACIÓN QUE DEBE CONOCER

SOBRE SU HORNO MICROONDAS

Este manual de uso y cuidado es muy útil: léalo cuidadosamente y siempre consérvelo como referencia.

Un buen libro de cocina para microondas es muy útil. Consúltelo sobre principios, técnicas, sugerencias y recetas de cocina en microondas.

NUNCA use el horno microondas sin el plato giratorio ni el soporte ni dé vuelta al plato giratorio para colocar un plato grande en el horno. El plato giratorio girará en sentido horario y antihorario.

SIEMPRE coloque alimentos dentro del horno microondas durante su operación para que absorban la energía del microondas.

Al usar el horno con niveles de potencia por debajo del 100%, usted podría escuchar que el magnetrón se enciende y apaga.

La condensación es una parte normal de la cocción con microondas. La humedad ambiental y la humedad en la comida influirán en la cantidad de humedad que se condense en el horno microondas. Generalmente, los alimentos cubiertos no producirán tanta condensación como los no cubiertos. Las ranuras de ventilación en la parte trasera del horno microondas no deben ser bloqueadas.

Después de usar la cocción por convección, cocción mixta automática o al asar a la parrilla, escuchará el sonido del ventilador de enfriamiento. El ventilador puede continuar funcionando hasta por cinco minutos dependiendo de la temperatura del horno.

Tenga en cuenta que a diferencia de los hornos microondas convencionales, los hornos por convección tienden a calentarse durante la cocción por convección, cocción mixta automática o al asar a la parrilla.

El uso del microondas se limita únicamente a la preparación de los alimentos. No debe usarse para secar ropa o periódicos.

Su horno microondas tiene una potencia de 850 vatios según el Procedimiento de prueba de la norma IEC. Al usar las instrucciones de las recetas o empaques, revise los alimentos en el tiempo mínimo y agregue el tiempo necesario.

SOBRE LOS NIÑOS Y EL MICROONDAS

Los niños menores de 7 años deben usar el horno microondas bajo la supervisión cercana de un adulto. En el caso de los niños entre 7 y 12 años, la persona que los supervisa debe estar en la misma habitación.

El niño debe alcanzar el horno microondas de manera cómoda; en caso contrario, debe usar un banco firme.

No se debe permitir nunca que nadie se apoye o se cuelgue de la puerta del horno microondas.

Los niños deben conocer todas las precauciones de seguridad: usar agarraderas, retirar las cubiertas con cuidado, prestar mucha atención a los paquetes que aprietan los alimentos, ya que podrían estar muy calientes.

No asuma que un niño/niña puede cocinar de todo sólo porque aprendió una técnica de cocción.

Los niños deben aprender que el horno microondas no es un juguete. Vea la página 35 para consultar la función de Bloqueo a prueba de niños.

SOBRE LOS ALIMENTOS

ALIMENTO	LO QUE DEBE HACER	LO QUE NO DEBE HACER
Huevos, salchichas, frutos secos, semillas, frutas y vegetales	<ul style="list-style-type: none">• Perfore las yemas del huevo antes de cocinarlo para evitar una "explosión".• Haga pequeños agujeros en la piel de las papas, manzanas, zapallos, hot dogs y salchichas para liberar el vapor.	<ul style="list-style-type: none">• Cocinar los huevos con cáscara.• Recalentar los huevos enteros.• Deshidratar nueces o semillas con cáscara.
Palomitas de maíz (Vea la página 24 para instrucciones de cocción específicas)	<ul style="list-style-type: none">• Use palomitas de maíz empacadas en una bolsa especial para horno microondas.• Escuche mientras las palomitas revientan para saber si hay una demora de 1 o 2 segundos o use una almohadilla especial para palomitas de maíz.	<ul style="list-style-type: none">• Cocinar palomitas de maíz en bolsas de papel común o en tazones de vidrio.• Exceder el tiempo máximo que indica el paquete de las palomitas de maíz.
Alimentos para bebés	<ul style="list-style-type: none">• Transfiera los alimentos del bebé a un plato pequeño y caliéntelos con cuidado, revolviendo con frecuencia. Verifique en su muñeca la temperatura antes de servir.• Coloque las tetinas en las botellas después de calentarlas y sacúdalas bien. Verifique la temperatura usted mismo antes de alimentar al bebé.	<ul style="list-style-type: none">• Calentar botellas desechables.• Calentar las botellas con las tetinas puestas.• Calentar los alimentos del bebé en sus frascos originales.

General	<ul style="list-style-type: none"> • Corte los alimentos horneados con relleno después de calentarlos para liberar el vapor y prevenir las quemaduras. • Revuelva bien los líquidos antes, durante y después de calentar para evitar “erupciones”. • Use un tazón profundo al cocinar líquidos o cereales para evitar que rebosen. 	<ul style="list-style-type: none"> • Calentar o cocinar en frascos de vidrio cerrados o en recipientes herméticos. • Preparar conservas o mermeladas en el microondas ya que las bacterias dañinas podrían no ser destruidas. • Freír en aceite. • Secar madera, calabazas, hierbas o papeles húmedos.
---------	---	--

SOBRE LOS UTENSILIOS Y ENVOLTURAS

No es necesario comprar utensilios nuevos. Usted puede usar la mayoría de artículos de su cocina en su nuevo horno microondas con convección. El cuadro siguiente le ayudará a decidir qué utensilios y envolturas debe usar en cada modo.

UTENSILIOS Y ENVOLTURAS	SÓLO MICROONDAS	CONVEC BROIL (ASAR POR CONVEC), SLOW COOK (COCIÓN LENTA)	HIGH MIX (MIXTA ALTA)/ ROAST (ASAR) LOW MIX (MIXTA BAJA)/ BAKE (HORNEAR)
Papel aluminio	Sí. Pedazos planos pequeños de papel aluminio colocados ligeramente sobre los alimentos pueden ser útiles para proteger áreas que se estén descongelando o cocinando demasiado rápido. Mantenga el papel aluminio por lo menos a 1 pulgada de las paredes del horno.	Sí. Para cubrir	Sí. Para cubrir
Recipientes de aluminio	Sí. Puede usarlo si lo llena hasta $\frac{3}{4}$ partes con alimentos. Mantenga por lo menos a 1 pulgada de las paredes del horno y no lo cubra con papel aluminio.	Sí. Asar a la parrilla - sin cubrir	Sí. Puede usarlo si lo llena hasta $\frac{3}{4}$ partes con alimentos. Mantenga por lo menos a 1 pulgada de las paredes del horno y no lo cubra con papel aluminio.

UTENSILIOS Y ENVOLTURAS	SÓLO MICROONDAS	CONVEC BROIL (ASAR POR CONVEC), SLOW COOK (COCCIÓN LENTA)	HIGH MIX (MIXTA ALTA)/ ROAST (ASAR) LOW MIX (MIXTA BAJA)/ BAKE (HORNEAR)
Fuente doradora	Sí. No exceda el tiempo de precalentamiento recomendado. Siga las instrucciones del fabricante.	NO	NO
Vitrocerámica (Pyroceram®)	Sí. Excelente	Sí. Excelente	Sí. Excelente
Vidrio resistente al calor	Sí. Excelente.	Sí. Excelente.	Sí. Excelente.
Vidrio no resistente al calor	NO	NO	NO
Tapas de vidrio	Sí	Sí. Asar - Sin cubrir	Sí
Tapas de metal	NO	Sí. Asar - Sin cubrir	NO
Utensilios de metal	NO	Sí	Sí. No use envolturas metálicas.
Metales varios: platos con bordes, filetes, bandas y asas metálicas. Sujetadores/ amarres de metal	NO	NO	NO
Bolsas para cocción en hornos	Sí. Apropriadas para piezas grandes de carne que necesitan ablandarse. NO use sujetadores/amarres de alambre.	Sí. Asar - Sin cubrir	Sí. NO use sujetadores/amarres de alambre.
Platos de papel	Sí. Para recalentar.	NO	NO
Toallas de papel	Sí. Para cubrir para recalentar y cocinar. No use toallas de papel reciclado que pueden contener partículas metálicas.	NO	NO
Papel resistente al calor	Sí	Sí. Para temperaturas hasta los 400°F. No use para asar a la parrilla.	Sí. Para temperaturas hasta los 400°F.

UTENSILIOS Y ENVOLTURAS	SÓLO MICROONDAS	CONVEC BROIL (ASAR POR CONVEC), SLOW COOK (COCCIÓN LENTA)	HIGH MIX (MIXTA ALTA)/ ROAST (ASAR) LOW MIX (MIXTA BAJA)/ BAKE (HORNEAR)
Recipientes plásticos seguros para microondas	Sí. Use para recalentar y descongelar. Algunos plásticos seguros para microondas no son adecuados para la cocción de alimentos con alto contenido de grasa y azúcar. Siga las instrucciones del fabricante.	NO	NO
Plástico, Thermoset®	Sí	Sí. Resisten temperaturas de hasta 425°F. No use para asar a la parrilla.	Sí
Película plástica	Sí. Use marcas especialmente indicadas para uso en microondas. NO deje que la película plástica toque los alimentos. Haga agujeros para que el vapor pueda salir.	NO	NO
Cerámica, cerámica de gres y porcelana	Sí. Consulte las recomendaciones del fabricante sobre su seguridad para uso en microondas.	Sí	Sí. Debe ser seguro para microondas Y resistente al calor.
Styrofoam	Sí. Para recalentar.	NO	NO
Papel encerado	Sí. Envoltura apropiada para cocinar y recalentar.	NO	NO
Mimbre, madera, paja	Sí. Puede ser usado por cortos períodos de tiempo. No use con alimentos con alto contenido de grasa o azúcar. Se puede carbonizar.	NO	NO

PROBAR EL PLATO Si desea verificar si un plato es seguro para uso en el microondas, coloque el plato vacío en el horno microondas y hágalo funcionar durante 30 segundos en HIGH. Si el plato se calienta demasiado, NO lo use para la cocción en microondas.

ACCESORIOS Existen muchos accesorios disponibles para microondas. Revise cuidadosamente antes de comprarlos para que satisfagan sus necesidades. Un termómetro resistente a las microondas le ayudará a determinar la cocción correcta y asegurará que sus alimentos se han cocido a temperaturas seguras al usar la cocción sólo con microondas. Viking no es responsable de ningún daño al horno microondas causado por el uso de los accesorios.

SOBRE LA COCCIÓN POR MICROONDAS

- Distribuya los alimentos con cuidado. Coloque las áreas más gruesas hacia la parte exterior del plato.
- Verifique el tiempo de cocción. Cocine durante el período de tiempo más corto indicado y aumente como sea necesario. Los alimentos que se cocinan demasiado pueden quemarse o encenderse.
- Cubra los alimentos durante su cocción. Consulte la receta o el libro de cocina para obtener sugerencias: Toallas de papel, papel encerado, película plástica para microondas o una tapa. Las cubiertas evitan derrames y permiten que los alimentos se cocinen de manera uniforme.
- Proteja cualquier área delgada de carne o ave con piezas pequeñas y planas de papel aluminio para evitar que se cocinen demasiado antes de que las áreas más gruesas se cocinen por completo.
- Revuelva los alimentos desde afuera hacia adentro del plato una o dos veces durante la cocción, si es posible.
- Voltee los alimentos una vez durante la cocción en microondas para acelerar la cocción de alimentos como pollo y hamburguesas. Los alimentos grandes como asados deben voltearse al menos una vez.
- Reacomode los alimentos como albóndigas a la mitad de la cocción desde la parte superior a la inferior y desde el centro del plato hacia el exterior.
- Deje un tiempo de espera. Retire los alimentos del horno microondas y revuélvalos, si es posible. Cubra durante el tiempo de espera, lo cual permite que los alimentos se terminen de cocinar sin recocerlos.
- Verifique la cocción. Verifique si hay señales que indiquen que se ha alcanzado la temperatura de cocción.

Las señales de cocción completa incluyen:

- Todo el alimento emana vapor, no sólo en los bordes.
- Temperatura muy caliente de la base central del plato al tacto.
- Fácil movimiento de las uniones de los muslos del ave.
- La carne y la carne de ave no presentan un color rosáceo.
- El pescado está opaco y se desmenuza fácilmente con un tenedor.

SOBRE SEGURIDAD

- Verifique que la cocción de los alimentos se realice de acuerdo a las temperaturas recomendadas por el Departamento de Agricultura de los EE.UU.

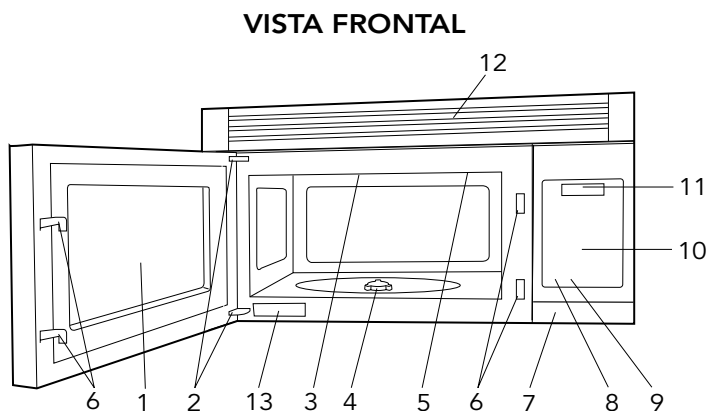
Para verificar la cocción, introduzca un termómetro para carne en un área gruesa o densa lejos de la grasa y el hueso. NUNCA deje el termómetro en los alimentos durante la cocción, a menos que sea aprobado para uso en horno microondas.

TEMPERATURA	ALIMENTO
160°F (71°C)	Para platos con cerdo fresco, carne molida, carne blanca de ave deshuesada, pescado, mariscos, huevos y alimentos preparados congelados.
165°F (74°C)	Para sobras, comida refrigerada lista para recalentar y platos preparados y comida "lista" para llevar.
170°F (77°C)	Carne blanca de ave.
180°F (82°C)	Carne oscura de ave.

- SIEMPRE use una agarradera para prevenir quemaduras al manipular utensilios que están en contacto con los alimentos calientes. El calor de los alimentos puede transferirse a través de los utensilios causando quemaduras en la piel.
- Evite las quemaduras causadas por el vapor dirigiéndolo lejos de su rostro y manos. Levante lentamente el borde más alejado de la cubierta de un plato y abra con cuidado las bolsas de palomitas de maíz y las bolsas especiales para cocinar en horno microondas apartándolas de su rostro.
- Permanezca cerca del horno microondas durante su uso y verifique con frecuencia el progreso de la cocción para que los alimentos no se cocinen demasiado.
- NUNCA use la cavidad para guardar libros de cocina u otros artículos.
- Seleccione, almacene y manipule los alimentos con cuidado para conservar su alta calidad y minimizar la propagación de bacterias.
- Conserve limpia la cubierta de la guía de onda. Los residuos de alimentos pueden producir arcos eléctricos o incendios.
- Tenga cuidado al retirar los alimentos del horno microondas para que los utensilios, su ropa o accesorios no toquen los pestillos de seguridad de la puerta.
- Mantenga el papel de aluminio que usa para cubrir los alimentos al menos a 1 pulgada de las paredes, techo y puerta.

NOMBRE DE LAS PARTES

PARTES DEL HORNO MICROONDAS

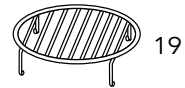
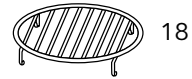
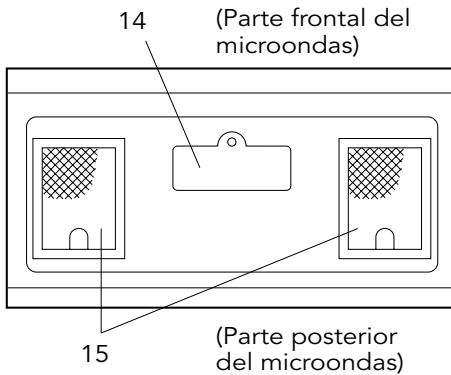


1. Puerta del microondas con ventana transparente
2. Bisagras de puerta.
3. Cubierta de la guía de onda
NO LA RETIRE.
4. Eje del motor del plato giratorio
5. Luz del horno
Se encenderá cuando el horno esté en operación o al abrir la puerta del horno.
6. Pestillos de seguridad de la puerta
El horno no funcionará si la puerta no está bien cerrada.
7. Botón de un solo toque para abrir la puerta.
Presione para abrir la puerta
8. Botón Fan Hi / Lo (Ventilador alto/bajo)
Presione para alto/bajo/apagado.
9. Botón para la luz.
Presione para encender/apagar.
10. Panel de control para toque automático.
11. Pantalla de tiempo: pantalla digital, 99 minutos, 99 segundos
12. Ranuras de ventilación.
13. Placa con número de serie

SISTEMA DE COCCIÓN INTERACTIVA

El sistema de cocción interactiva ofrece instrucciones paso a paso en la pantalla para usar el horno, desde la configuración del reloj hasta la programación de cada característica. También incluye una función HELP (Ayuda) con instrucciones sobre el uso del bloqueo para niños, la eliminación de la señal audible, Auto Start (Inicio automático) y Help (Ayuda). El horno cuenta con una opción para inglés, español o francés y una opción para las unidades-libras acostumbradas en los Estados Unidos. Presione Help y siga las instrucciones en pantalla o consulte las páginas 35-36.

VISTA INFERIOR



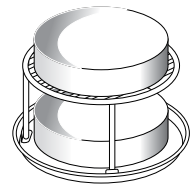
- 14. Cubierta de las bombillas.
- 15. Filtros para grasa
- 16. Plato giratorio desmontable de cerámica. El plato giratorio puede girar en sentido horario o antihorario. Retírelo únicamente para limpiarlo.
- 17. Soporte del plato giratorio desmontable. Coloque el soporte del plato giratorio desmontable en la base de la cavidad del horno y el plato giratorio sobre el soporte.
- 18. Rejilla inferior desmontable para asar a la parrilla y para asar carne y carne de ave.
- 19. Rejilla superior desmontable para hornear en dos niveles.

ACCESORIOS

Los siguientes accesorios están diseñados especialmente para uso con este horno para cocción por convección, mixta o para asar a la parrilla. **NO LOS USE PARA COCCIÓN EXCLUSIVA CON MICROONDAS.** No sustituya con rejillas de tipo similar a las rejillas diseñadas especialmente.

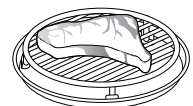
Rejilla superior (rejilla para hornear) – para convección y mixta baja.

- Esta rejilla está ubicada en el plato giratorio para cocción en dos niveles, tales como masa para bizcochos, panecillos, etc.



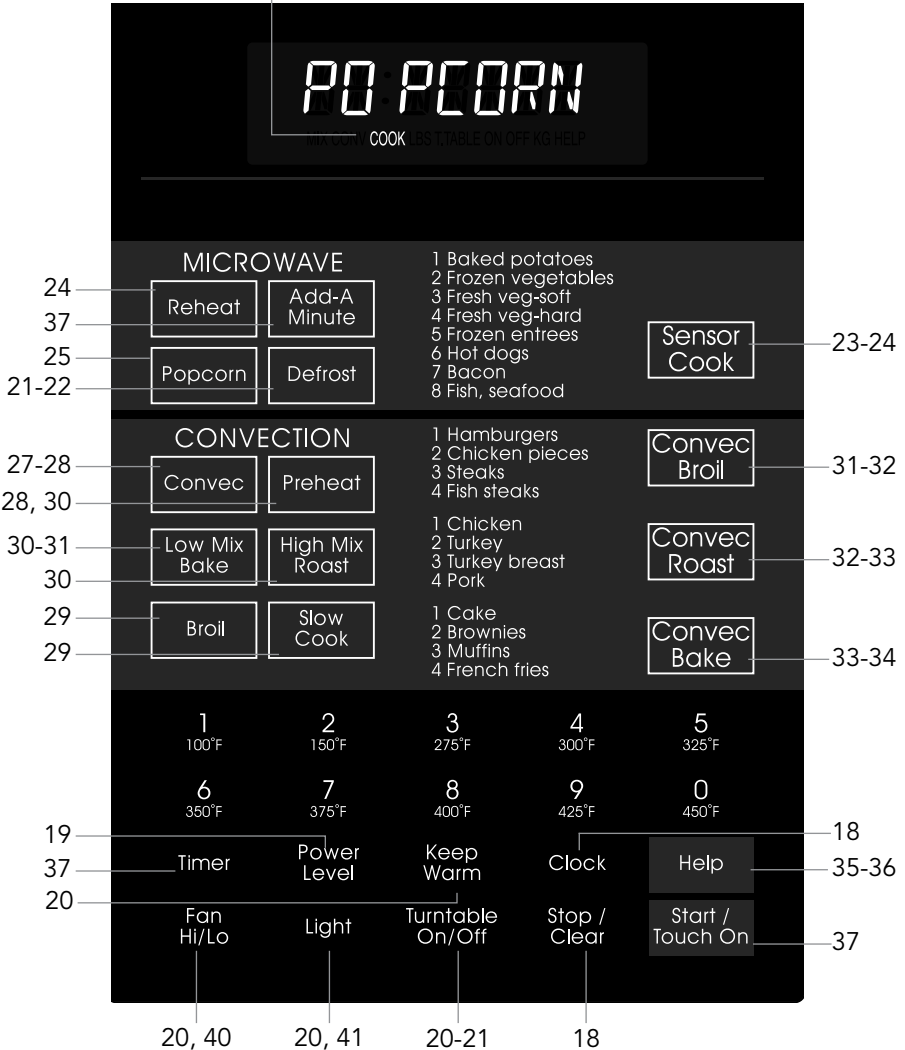
Rejilla inferior (rejilla para asar a la parrilla) – para convección, asar a la parrilla o mixta alta.

- Coloque en el plato giratorio y use para asar o asar a la parrilla y permitir que los jugos se escurran de los alimentos.



PANEL DE CONTROL

Las palabras en la pantalla interactiva se iluminarán para indicar las características e instrucciones de cocción.



El número cerca de la ilustración del panel de control indica las páginas donde puede encontrar descripciones de las características e información de uso.

ANTES DE LA OPERACIÓN

- Antes de poner en funcionamiento su nuevo horno microondas, asegúrese de haber leído y entendido completamente este Manual de uso y cuidado.
- Antes de que se pueda usar el horno microondas, siga estos procedimientos:
 1. Conecte el horno microondas. Cierre la puerta. La pantalla del horno microondas mostrará el mensaje WELCOME (BIENVENIDO).
 2. Presione el botón Stop/Clear (Parar/Borrar)
 3. Programe el reloj.

PARA CONFIGURAR EL RELOJ

1. Presione el botón Clock (Reloj).
2. Ingrese la hora correcta del día presionando los números en secuencia. Presione nuevamente el botón Clock.

Este es un reloj de 12 horas. Si intenta ingresar una hora incorrecta en el reloj, la pantalla mostrará el mensaje ERROR. Presione el botón Stop/Clear (Parar/Borrar) e ingrese nuevamente la hora.

- Si se interrumpe el suministro de energía eléctrica del horno microondas, el mensaje WELCOME destellará en la pantalla luego de restablecer la energía. Si esto ocurre durante la cocción, se borrará el programa. También se borrará la hora del día. Sólo presione el botón Stop/Clear y restablezca el reloj para ingresar la hora correcta.

Nota: Puede programar su horno con la puerta abierta, excepto para Start/Touch On (Inicio/Restablecer), Add-A-Minute (Agregue-un-minuto), Reheat (Recalentar) y Popcorn (Palomitas de maíz).

STOP/CLEAR (PARAR/BORRAR)

Presione el botón Stop/Clear (Parar/Borrar) para:

1. Borrar si comete un error durante la programación.
2. Cancelar el temporizador.
3. Detener el horno microondas temporalmente durante la cocción.
4. Reingresar la hora del día en la pantalla.
5. Cancelar un programa durante la cocción, presionando dos veces.

OPERACIÓN MANUAL DEL MICROONDAS

TIEMPO DE COCCIÓN EN MICROONDAS

Su horno microondas puede ser programado para 99 minutos 99 segundos (99.99). Siempre ingrese los segundos después de los minutos, aun si ambos son 0.

- Suponga que desea cocinar por 5 minutos al 100%.
1. Ingrese el tiempo de cocción presionando **5|0|0** con los botones de números.
 2. Presione el botón Start/Touch On (Inicio/Restablecer).

PARA FIJAR EL NIVEL DE POTENCIA

Existen once niveles de potencia predeterminados.

Usar los niveles de potencia más bajos aumenta el tiempo de cocción, lo que es recomendable para alimentos como queso, leche y la cocción lenta y prolongada de carnes. Consulte el libro de recetas o las recetas para recomendaciones específicas.

PRESIONE EL BOTÓN DE NIVEL DE POTENCIA UNA VEZ, LUEGO PRESIONE	PORCENTAJE APROXIMADO DE POTENCIA	PALABRAS COMUNES PARA LOS NIVELES DE POTENCIA
Nivel de potencia	100%	Alto
9	90%	
8	80%	
7	70%	Medio-alto
6	60%	
5	50%	Medio
4	40%	
3	30%	Medio bajo/descongelar
2	20%	
1	10%	Bajo
0	0%	

- Suponga que desea descongelar durante 5 minutos al 30%.
1. Ingrese el tiempo de descongelamiento presionando **5|0|0** con los botones de números.
 2. Presione el botón Power Level (Nivel de potencia) y el número **3**.
 3. Presione el botón Start/Touch On (Inicio/Restablecer).

KEEP WARM (CONSERVAR CALIENTE)

Keep Warm sólo puede ser programado con la cocción manual o como un programa separado.

- Suponga que quiere cocinar una papa al horno por 4 minutos al 100% de potencia y quiere conservarla caliente después de la cocción por 30 minutos.
1. Presione los botones de números para el tiempo de cocción deseado para una papa al horno. Ej.: **4|0|0** para 4 minutos.
 2. Presione el botón Keep Warm (Conservar caliente).
 3. Presione el botón Start/Touch On (Inicio/Restablecer).

Al finalizar el tiempo de cocción, aparece el mensaje Keep Warm conservando caliente la comida hasta que se cumplan los 30 minutos.

Para usar Keep Warm como un programa separado, presione el botón Keep Warm (Conservar caliente) en el minuto siguiente a la finalización de la cocción, cerrando la puerta o presionando el botón Stop/Clear (Parar/Borrar).

LUZ DE LA CAMPANA / VENTILADOR DE LA CAMPANA

Su horno microondas está equipado con una luz de la campana y un ventilador de la campana que puede ser usado con la puerta abierta o cerrada.

Para encender la luz de la campana, presione una vez el botón Light (Luz). Para apagar la luz de la campana, presione nuevamente el botón Light.

Para encender el ventilador de la campana, presione una vez el botón Fan Hi/Lo (Ventilador Alta/Baja) para elegir la velocidad alta. Presione dos veces el botón para cambiar la velocidad del ventilador de la campana a velocidad baja y presione tres veces para apagar el ventilador.

TURNTABLE ON/OFF (PLATO GIRATORIO ACTIVO/INACTIVO)

Para la mayoría de tipos de cocción debe usar activar el plato giratorio; sin embargo, puede desactivar el plato giratorio para que no gire al usar platos grandes como la popular cacerola de vidrio de 13"x9"x2". Deberá colocar la cacerola sobre el plato giratorio para que esté nivelada.

- Suponga que quiere cocinar lasaña en una cacerola de 13"x9"x2" por 45 minutos con la potencia al 40%.
1. Presione el botón Turntable On/Off (PLATO GIRATORIO ACTIVO/INACTIVO) y verá el mensaje **TURNTABLE OFF (PLATO GIRATORIO INACTIVO)** en la pantalla.
 2. Ingrese el tiempo de cocción presionando **4|5|0|0** con los botones de números.
 3. Presione el botón Power Level (Nivel de potencia) y el número **4** para la potencia al 40%.

4. Presione el botón Start/Touch On (Inicio/Restablecer).

Nota: Puede abrir la puerta para revisar la cocción de los alimentos y el plato giratorio permanecerá en la posición apagada. Después de la revisión, cierre la puerta y presione Start/Touch On (Inicio/Restablecer).

El plato giratorio permanecerá desactivado por un minuto después de abrir la puerta; luego aparecerá la hora del día en la pantalla. Es posible reprogramar el horno durante ese minuto sin presionar el botón Turntable On/Off. La pantalla siempre indica si el plato giratorio está activo o inactivo.

EL PLATO GIRATORIO SIEMPRE DEBE ESTAR ACTIVO AL USAR LAS FUNCIONES ESPECIALES. La función On/Off (Activo/Inactivo) puede ser usada con los modos de cocción manual y de recalentamiento. La condición de plato giratorio inactivo cambiará automáticamente a activo al seleccionar auto cooking (cocción automática), excepto con Reheat (recalentamiento) y Convec Bake (Hornear por convección).

Al usar grandes cantidades de alimentos que no se puedan revolver, es mejor utilizar un nivel de potencia al 40% ó 50%. Puede acelerar la cocción de grandes cantidades programando de 5 a 10 minutos al 100% de potencia (HIGH) -ALTO- seguido por el tiempo deseado en un nivel de potencia bajo. Vea la página 36 para programar secuencias múltiples. Si desea cambiar la ubicación de una cacerola grande, una vez, durante la cocción, simplemente abra la puerta y reubique la cacerola; luego, cierre la puerta y presione Start/Touch On (Inicio/Restablecer).

CARACTERÍSTICAS DEL MICROONDAS

DEFROST (DESCONGELAR)

Defrost descongela automáticamente los alimentos como carne molida, bistecs y piezas de pollo.

- Suponga que quiere descongelar un bistec de 2.0 libras.
1. Presione el botón Defrost una vez.
 2. Seleccione el alimento deseado presionando Defrost hasta que la pantalla muestre el nombre del alimento. Ej.: Presione dos veces para bistec.
 3. Ingrese el peso presionando **2****0** con los botones de números.
 4. Presione el botón Start/Touch On (Inicio/Restablecer).
El horno se detendrá y las instrucciones aparecerán en la pantalla. Siga el mensaje indicado.
 5. Después de la primera etapa, abra la puerta. Dé vuelta al bistec y cubra las porciones calientes. Cierre la puerta. Presione el botón Start/Touch On (Inicio/Restablecer).
 6. Después de la segunda etapa, abra la puerta. Cubra todas las partes calientes. Cierre la puerta. Presione el botón Start/Touch On (Inicio/Restablecer).
 7. Al terminar el ciclo de descongelamiento, cubra y deje reposar como se indica en la tabla de la página 22.

Nota:

1. Puede ingresar el peso en incrementos de 0.1 lb. Si intenta ingresar una cantidad mayor o menor a la permitida, aparecerá el mensaje ERROR WEIGHT TOO SMALL OR TOO LARGE (ERROR MUY POCO O DEMASIADO PESO) en la pantalla.
2. Puede programar el descongelamiento con un ajuste de mayor o menor tiempo. Vea la página 37.
3. Para descongelar otros alimentos o alimentos por encima o debajo de los pesos permitidos en la tabla Defrost, use el botón time (tiempo) y una potencia de 30%. Vea el descongelamiento manual en la página 22.

TABLA DEFROST (DESCONGELAMIENTO)

PRESIONE EL BOTÓN DEFROST (DESCONGELAR)*	ALIMENTO	CANTIDAD	PROCEDIMIENTO
Una vez	Carne molida	0.5 - 3.0 lb	Retire todas las piezas descongeladas después de cada etapa. Deje reposar cubierto de 5 a 10 minutos.
Dos veces	Bistecs (Chuletas, pescado)	0.5 - 4.0 lb	Después de cada etapa del ciclo de descongelamiento, reacomode y si hay porciones tibias o descongeladas, protéjalas con piezas pequeñas y planas de papel aluminio. Retire las porciones de carne o pescado que estén casi descongeladas. Deje reposar cubierto de 10 a 20 minutos.
3 veces	Piezas de pollo	0.5 - 3.0 lb	Si hay porciones tibias o descongeladas después de cada etapa del ciclo de descongelamiento, reacomode o retire. Deje reposar cubierto de 10 a 20 minutos.

* Número de presiones DESPUÉS de la presión inicial para acceder a la función Defrost.

Nota: Revise los alimentos a la señal del horno. Después de la etapa final, todavía puede haber pequeñas partes con hielo. Deje reposar para que continúe el descongelamiento. No descongele hasta que se derritan todos los cristales de hielo.

Cubrir los alimentos ayuda a prevenir que se realice la cocción antes de que el centro del alimento esté descongelado. Use pequeñas tiras de papel aluminio para cubrir los bordes y las secciones más delgadas del alimento.

MANUAL DEFROST (DESCONGELAMIENTO MANUAL)

Si el alimento que quiere descongelar no aparece en la tabla DEFROST (DESCONGELAMIENTO) o si está por encima o debajo de los límites en la columna AMOUNT (CANTIDAD), deberá descongelar manualmente.

Usted puede descongelar cualquier alimento crudo o precocido usando el Nivel de potencia 3. Siga exactamente el procedimiento de 3 pasos de la sección Tiempo de cocción en microondas en la página 19. Calcule el tiempo de descongelamiento y presione 3 para 30% al seleccionar el nivel de potencia.

Para alimentos crudos o congelados precocidos la regla general indica aproximadamente 5 minutos por libra. Por ejemplo, descongele durante 5 minutos para una libra de salsa para espaguetis congelada.

Siempre detenga el horno microondas periódicamente para retirar o separar las porciones que están descongeladas. Si al final del tiempo estimado de descongelamiento los alimentos no están descongelados, programe el horno en incrementos de 1 minuto, en un nivel de potencia 3 hasta que se descongelen totalmente.

Cuando use recipientes de plástico del congelador, descongele sólo lo suficiente para retirar el alimento del plástico y colocarlo en un plato para microondas.

COCCIÓN POR SENSOR

El sensor es un dispositivo semi-conductor que detecta el vapor (humedad) emitido por los alimentos mientras se calientan. El sensor ajusta los tiempos de cocción y el nivel de potencia para diversos alimentos y cantidades.

Esto nos da una idea sobre la cocción por microondas.

USO DE LOS AJUSTES DEL SENSOR:

1. La temperatura de la habitación no debe exceder los 95°F.
2. Asegúrese de que el exterior del recipiente de cocción y el interior del horno microondas estén secos. Remueva cualquier rastro de humedad con un paño seco o toalla de papel.
3. Durante la primera parte de la cocción por sensor, en la pantalla aparecerá el nombre de los alimentos. No abra la puerta del horno microondas ni presione el botón Stop/Clear (Parar/Borrar) durante esta parte del ciclo. La medida del vapor será interrumpida. Si esto ocurre, aparecerá en pantalla un mensaje de error y se interrumpirá la cocción por sensor. Para continuar cocinando, presione el botón Stop/Clear (Parar/Borrar) y elija el tiempo de cocción y la potencia. Cuando el sensor detecte el vapor de los alimentos, aparecerá en la pantalla el tiempo de cocción restante. En este momento, puede revolver o sazonar los alimentos, como desee.
4. Revise la temperatura de los alimentos después de la cocción. Si es necesario un tiempo adicional, continúe la cocción con un tiempo y potencia variable.
5. Si el sensor no detecta el vapor apropiadamente, el mensaje ERROR aparecerá en la pantalla y el horno microondas se apagará.
6. Cada alimento tiene una sugerencia de cocción. Presione el botón Help (Ayuda) cuando se encienda el indicador HELP en la pantalla.
7. Al final de cada ciclo, abra la puerta o presione el botón Stop/Clear (Parar/Borrar). La hora reaparecerá en la pantalla.

SELECCIONANDO LOS ALIMENTOS:

1. El sensor funciona con alimentos a una temperatura de almacenamiento normal. Por ejemplo, los alimentos de una plato para la cena que se van a recalentar estarán a la temperatura del refrigerador y las palomitas de maíz a temperatura ambiente.
2. Una cantidad mayor o menor que la cantidad indicada en las tablas debe ser cocinada por tiempo y potencia variable.

ENVOLTURA DE ALIMENTOS:

La cocción de ciertos alimentos es mejor cuando están cubiertos. Use la envoltura recomendada en la tabla para estos alimentos.

1. Tapa de la cacerola.
2. **Película plástica:** Use la película plástica recomendada para cocción en microondas. Envuelva los platos de forma suelta; deje un espacio de casi ½ pulgada sin cubrir para permitir la salida de vapor. La película plástica no debe tocar los alimentos.
3. **Toalla de papel:** Use toallas de papel para absorber el exceso de grasa y humedad al cocinar tocino y papas. Forre el plato giratorio al hornear papas.
4. **Papel encerado:** Cubra el plato completamente; doble el exceso de la envoltura debajo del plato para asegurarlo. Si el plato es más ancho que el papel, sobreponga dos pedazos de papel por lo menos una pulgada para cubrir.

Tenga cuidado al retirar cualquier envoltura para permitir la salida de vapor lejos de usted.

REHEAT (RECALENTAMIENTO)

TURNTABLE ON (PLATO GIRATORIO ENCENDIDO):

Puede recalentar muchos alimentos con sólo presionar un botón. No es necesario calcular el tiempo de cocción o nivel de potencia. Para recalentar alimentos con el plato giratorio encendido, simplemente presione el botón Reheat (Recalentar).

- Suponga que quiere calentar un preparado con chile.

Presione el botón Reheat (Recalentar).

Cuando el sensor detecta el vapor emitido por los alimentos, aparecerá en la pantalla un recordatorio del tiempo de recalentamiento restante. Después de la cocción siga las instrucciones en la pantalla.

TURNTABLE OFF (PLATO GIRATORIO APAGADO):

Puede recalentar usando una cacerola de 11" x 8" x 2" o 13" x 9" x 2" con el plato giratorio apagado. Primero presione Turntable On/Off (Plato giratorio encendido/apagado) y observe el indicador. Después presione Reheat (Recalentar). La pantalla presentará el mensaje turntable off (plato giratorio apagado) y el horno microondas empezará a funcionar automáticamente. Después de la cocción siga las instrucciones en la pantalla.

PALOMITAS DE MAÍZ

- Suponga que quiere preparar un paquete de palomitas de maíz de 3.5 oz. Presione el botón Popcorn (Palomitas de maíz) una vez.

Esta función del sensor funciona bien con la mayoría de las marcas de palomitas de maíz para microondas. Si desea puede probar las diversas marcas y elegir la que prefiera. Sólo prepare un paquete a la vez. Desdoble el paquete y colóquelo en el horno de acuerdo con las instrucciones.

TABLA DE SENSOR

ALIMENTO	CANTIDAD	PROCEDIMIENTO
Sobrantes como arroz, papas, vegetales, cacerolas.	4 - 32 oz	Coloque en un plato o cacerola ligeramente más grande que la cantidad a recalentar. Aplane, si es posible. Recubra con una tapa, película plástica o papel encerado. Use envolturas como películas plásticas o tapas para grandes cantidades de alimentos con mayor densidad como estofados.
Sopa	1 - 4 tazas	Después de recalentar, mezcle bien, de ser posible. Los alimentos deben estar muy calientes. Si no es así, continúe el recalentamiento con una potencia y tiempo variables. Después de mezclar, vuelva a cubrir y deje reposar por 2 ó 3 minutos.
Entradas y vegetales enlatados	4 - 16 oz	Use el ajuste de menos tiempo presionando dos veces el botón de nivel de potencia para cantidades pequeñas de vegetales enlatados.
Plato para la cena 1 plato	3 - 6 oz de carne más vegetales y/o papa/arroz	Use este botón para recalentar alimentos precocidos directamente del refrigerador. Coloque porciones gruesas y voluminosas de vegetales en la parte externa del plato. Corte los alimentos grandes como las papas al horno en porciones más pequeñas. Aplane los alimentos como el puré de papas y otros alimentos con mayor densidad. Cubra con papel encerado o una película plástica. SÓLO UN PLATO. Después de la cocción, revise que el alimento esté totalmente caliente y que la parte central de la base del plato también esté muy caliente. De lo contrario, continúe calentando usando el botón de tiempo y nivel de potencia. Deje reposar, cubierto de 2 a 3 minutos.

TABLA DE SENSORES

ALIMENTO	CANTIDAD	PROCEDIMIENTO
Palomitas de maíz	Sólo un paquete a la vez	Use únicamente palomitas de maíz para cocción en horno microondas. Pruebe con varias marcas para elegir la que prefiera. No intente cocinar los granos que no reventaron completamente. Puede usar el ajuste de mayor/menor tiempo de cocción para elegir el ajuste necesario para maíz maduro o de acuerdo a las preferencias individuales.
	Bolsa de 3.0 - 3.5 oz (Tamaño regular)	Presione el botón Popcorn (Palomitas de maíz) una vez. Esta función es útil con la mayoría de las bolsas de palomitas de maíz para microondas de 3.0-3.5 oz.
	Bolsa de 1.5 - 1.75 oz (Tamaño individual)	Presione dos veces el botón Popcorn para las bolsas de tamaño individual.

SENSOR COOK (SENSOR DE COCCIÓN)

- Imagine que desea cocinar una papa al horno.
1. Presione el botón Sensor Cook (Sensor de cocción).
 2. Elija el ajuste de sensor de su preferencia. Ej.: Presione el botón número **1** para cocinar papas al horno.
 3. Presione el botón Start/Touch On (Inicio/Restablecer). Cuando el sensor detecte el vapor emitido por los alimentos, aparecerá en pantalla el tiempo de cocción restante.

Abra la puerta del horno microondas o presione el botón Stop/Clear (Parar/Borrar). La hora del día aparecerá en la pantalla.

TABLA DE SENSOR COOK (SENSOR DE COCCIÓN)

ALIMENTO	CANTIDAD	PROCEDIMIENTO
1. Papas al horno	1 - 6 medianas	Haga pequeños agujeros. Colóquelas sobre el plato giratorio forrado con papel toalla. Después de la cocción, retire del horno microondas, envuelva en papel aluminio y deje reposar de 5 a 10 minutos.
2. Vegetales congelados	1 - 6 tazas	Cubra con una tapa o envoltura plástica. Después de la cocción, mezcle y deje reposar 3 minutos, cubierto.

3. Vegetales frescos, blandos		
Brócoli	0.25 - 2.0 lb	Lave y coloque en una cacerola. No agregue agua si acaba de lavar los vegetales. Cubra con una tapa para vegetales tiernos Use película plástica para vegetales tiernos y crocantes. Si es posible, revuelva antes de dejar reposar. Después de la cocción, déjelo reposar cubierto de 2 a 5 minutos.
Coles de Bruselas	0.25 - 2.0 lb	
Repollo	0.25 - 2.0 lb	
Coliflor (flores pequeñas)	0.25 - 2.0 lb	
Coliflor (entera)	1 mediana	
Espinaca	0.25 - 1.0 lb	
Calabacín	0.25 - 2.0 lb	
Manzanas al horno	2 - 4 medianas	
4. Vegetales frescos, duros		
Zanahorias picadas	0.25 - 1.5 lb	Coloque en una cacerola. Agregue de 1 a 4 cucharadas de agua. Recubra con la tapa para vegetales tiernos. Use película plástica para vegetales tiernos y crocantes. Si es posible, revuelva antes de dejar reposar. Después de la cocción, déjelo reposar cubierto de 2 a 5 minutos.
Maíz	2 - 4 unidades	
Frijol verde	0.25 - 1.5 lb	
Calabaza cortada:		
en cubos	0.25 - 1.5 lb	
en mitades	1 - 2	
5. Platos de entrada congelados		
6 - 17 oz		Use para comida de preparación rápida. Obtendrá resultados satisfactorios para la mayoría de marcas. Si desea puede probar las diversas marcas y elegir la que prefiera. Retire la envoltura externa del paquete y siga las instrucciones del mismo para cubrirlo. Después de la cocción, déjelos cubiertos de 1 a 3 minutos.
6. Hot dogs		
1 - 4 porciones		Coloque el hot dog en un panecillo y envuelva en toalla de papel o servilleta de papel.
7. Tocino		
2 - 6 tajadas		Coloque el tocino en un plato de papel, forrado con toalla de papel. El tocino no debe extenderse sobre el borde del plato. Cubra con toalla de papel.
8. Pescado, mariscos		
0.25 - 2.0 lb		Coloque formando un anillo sobre un plato de vidrio poco profundo (enrolle el filete con los bordes hacia abajo). Cubra con una película plástica con agujeros de ventilación. Después de la cocción, deje reposar cubierto por 3 minutos.

COCCIÓN MIXTA MANUAL POR CONVECCIÓN Y AUTOMÁTICA

Esta sección del manual de uso y cuidado le brinda instrucciones y procedimientos específicos para la cocción. Consulte su libro de cocina del horno microondas con convección Viking para encontrar valiosos consejos para la cocción por convección y cocción mixta.

El horno microondas no debe ser usado sin colocar el plato giratorio y jamás debe bloquearlo para que no gire. Puede retirar el plato giratorio al precalentar el horno microondas y al preparar alimentos que van a ser preparados directamente sobre el plato giratorio.

Precaución: El gabinete, cavidad, puerta, plato giratorio, soporte del plato giratorio rejillas y platos pueden estar muy calientes. Para EVITAR QUEMADURAS, use guantes gruesos al retirar los alimentos o el plato giratorio del horno microondas.

COCCIÓN POR CONVECCIÓN

Durante la cocción por convección, aire caliente circula en el interior de la cavidad del horno para dorar y dejar crujientes los alimentos de manera rápida y pareja. Este horno microondas por convección puede ser programado para diez diferentes temperaturas de cocción por convección por hasta 99 minutos, 99 segundos.

COCINAR POR CONVECCIÓN

- Suponga que quiere cocinar a 350°F por 20 minutos.
1. Presione el botón Convec (Convección).
 2. Seleccione la temperatura presionando el botón del número

6
350°F

.
 3. Ingrese el tiempo de cocción presionando

2	0	0	0
---	---	---	---

 con los botones de números.
 4. Presione el botón Start/Touch On (Inicio/Restablecer).

PRECALENTAR Y COCINAR POR CONVECCIÓN

Su microondas puede ser programado para combinar el precalentamiento y las operaciones de cocción por convección. Usted puede precalentar a una temperatura similar a la temperatura por convección o cambiar a una temperatura mayor o menor.

- Suponga que quiere precalentar a 350°F y después cocinar por convección durante 25 minutos a 375°F:
1. Presione el botón Preheat (Precalentar).
 2. Seleccione la temperatura presionando el botón del número

6
350°F

.
 3. Presione el botón Convec (Convección).
 4. Seleccione la temperatura presionando el botón del número

7
375°F

.
 5. Ingrese el tiempo de cocción presionando

2	5	0	0
---	---	---	---

 con los botones de números.
 6. Presione el botón Start/Touch On (Inicio/Restablecer).

Cuando el horno microondas alcance la temperatura programada, mantendrá automáticamente la temperatura de precalentamiento por 30 minutos y después la pantalla mostrará la hora del día. Cada vez que presione el botón Stop/Clear (Parar/Borrar) durante este período de 30 minutos, la pantalla mostrará el mensaje PRESS CONVEC (PRESIONE CONVEC) o PRESS MIX (PRESIONE MIXTO) para que ingrese el modo y tiempo de cocción.

Nota: Para precalentar y cocinar con la misma temperatura, ingrese la misma temperatura en los pasos 2 y 4.

BROIL (ASAR A LA PARRILLA)

El precalentamiento es automático al usar la función Broil (asar a la parrilla). Sólo ingrese el tiempo de cocción real; el horno emitirá una señal cuando alcance la temperatura de precalentamiento a 450°F. No puede cambiar la temperatura del horno. Use la función Broil para bistecs, chuletas, piezas de pollo y muchos otros alimentos. Vea la tabla para Asar a la parrilla por convección en el libro de cocina.

- Suponga que quiere asar un jamón por 15 minutos.
1. Presione el botón Broil.
 2. Ingrese el tiempo de cocción presionando **1 5 0 0** con los botones de números.
 3. Presione el botón Start/Touch On (Inicio/Restablecer). Sin alimentos en el horno.
El horno microondas emitirá una señal cuando alcance la temperatura programada*.
 4. Abra la puerta. Coloque los alimentos en el horno. Cierre la puerta. Presione el botón Start/Touch On (Inicio/Restablecer).
- * Si no abre la puerta del horno microondas, éste mantendrá automáticamente la temperatura en la temperatura de precalentamiento durante 30 minutos. Al cumplirse este período, el horno emitirá una señal audible y se apagará.

Nota:

1. El precalentamiento para asar a la parrilla demora entre 7 y 10 minutos dependiendo de la temperatura ambiente y el suministro eléctrico.
2. Aunque por lo general, se configura para el tiempo máximo para asar a la parrilla, siempre revise los alimentos en el menor tiempo recomendado en la tabla del libro de cocina. Así evitará tener reprogramar completamente el horno microondas si necesita un tiempo de cocción adicional. Sólo cierre la puerta del horno microondas y presione el botón Start/Touch On (Inicio/Restablecer) para continuar.

SLOW COOK (COCCIÓN LENTA)

Slow Cook está configurado a 300°F para 4 horas. Puede cambiar la temperatura a menos de 300°F. No puede cambiar el tiempo de cocción. Puede usar esta función para alimentos como frijoles verdes horneados o bistec de paleta marinado.

- Suponga que quiere cambiar la temperatura de 300°F a 275°F.
1. Presione el botón Slow Cook (cocción lenta).
 2. Presione el botón Slow Cook una vez más si quiere cambiar la temperatura de 300°F.
 3. Presione el botón Temperature (Temperatura) **3**
275°F.
 4. Presione el botón Start/Touch On (Inicio/Restablecer).

Nota: Si no cambia la temperatura, omita los pasos 2 y 3.

AUTOMATIC MIX COOKING (COCCIÓN MIXTA AUTOMÁTICA)

Este horno microondas tiene dos ajustes preprogramados que facilitan la cocción automática tanto por convección y microondas.

	Temperatura del horno microondas	Potencia del microondas
High Mix/Roast (Mixto alto/Asar)	325°F	30%
Low Mix/Bake (Mixto Bajo/Hornear)	325°F	10%

Con excepción de los alimentos que se cuecen mejor únicamente por calor de convección, la mayoría de los alimentos se adaptan bien a la cocción mixta usando Low Mix/ Bake (Mixto Bajo/Hornear) o High Mix/Roast (Mixto alto/Asar).

La combinación de estos dos métodos de cocción produce carnes jugosas, bizcochos húmedos y suaves y panes de fina textura, dorados y crujientes en el punto exacto.

Puede cambiar las temperaturas, sin embargo, no puede cambiar la potencia del microondas.

La temperatura del horno microondas puede cambiarse de 100°F a 450°F. Para cambiar la temperatura, primero presione High Mix o Low Mix y luego nuevamente el mismo botón. Cuando la pantalla indique SELECT TEMP (SELECCIONE TEMPERATURA), presione el botón correspondiente a la temperatura deseada. Ej: Para High Mix presione High Mix, [7]. La temperatura mixta cambiará automáticamente a 375°F.


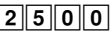
COCINAR CON FUNCIÓN MIXTA AUTOMÁTICA

- Suponga que quiere hornear un bizcocho por 25 minutos en Low Mix/Bake (Mixto Bajo/Hornear).
1. Presione el botón Low Mix/Bake.
 2. Ingrese el tiempo de cocción presionando [2][5][0][0] con los botones de números.
 3. Presione el botón Start/Touch On (Inicio/Restablecer).

PREHEAT AND COOK (PRECALENTAR/COCINAR) CON FUNCIÓN MIXTA AUTOMÁTICA

Su microondas puede ser programado para combinar el precalentamiento y las operaciones de cocción mixta automática. Usted puede precalentar a la misma temperatura para combinar el precalentamiento y las operaciones de cocción mixta automática.

- Suponga que quiere precalentar a 350°F y después cocinar por 25 minutos a 325°F Low Mix/Bake (Mixto bajo/hornear).
1. Presione el botón Preheat (Precalentar).

2. Presione el botón Temperature (Temperatura) .
3. Presione el botón Low Mix (Mixto bajo)
4. Ingrese el tiempo de cocción presionando  con los botones de números.
5. Presione el botón Start/Touch On (Inicio/Restablecer).
El horno microondas emitirá una señal cuando alcance la temperatura programada. El horno se detendrá y las instrucciones aparecerán en la pantalla. Siga el mensaje indicado.
6. Abra la puerta. Coloque los alimentos en el horno microondas. Cierre la puerta. Presione el botón Start/Touch On (Inicio/Restablecer).

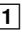
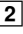
OPERACIÓN AUTOMÁTICA POR CONVECCIÓN

Esta sección del manual de uso y cuidado ofrece instrucciones para la preparación de 12 alimentos populares usando las funciones Convec Broil, Convec Roast y Convec Bake.

Después de seleccionar la función deseada, siga las instrucciones indicadas en la pantalla. Obtenga valiosos consejos presionando HELP (AYUDA) en cualquier momento que aparezca el mensaje HELP en la pantalla.

CONVEC BROIL (ASAR A LA PARRILLA POR CONVECCIÓN)

Convec Broil (Asar a la parrilla por convección) asa automáticamente hamburguesas, piezas de pollo, bistecs y filetes de pescado.

- Suponga que quiere asar a la parrilla 2 hamburguesas.
1. Presione el botón Convec Broil.
 2. Seleccione el ajuste deseado. Ej: Para hamburguesas, presione el botón del número .
 3. Presione el botón del número  para la cantidad y siga la información en la pantalla sobre información acerca de la cocción.
Para hamburguesas bien cocidas o semi-cruadas, presione el botón Power Level (Nivel de potencia) para seleccionar More (Mayor) para bien cocida o Less (Menor) para semi-cruada. Vea Ajuste de mayor/menor tiempo en la página 37.
 4. Presione el botón Start/Touch On (Inicio/Restablecer).
Después de terminar el ciclo de precalentamiento escuchará 4 señales largas. PREHEAT OVER PLACE FOOD IN OVEN aparecerá en la pantalla repetidamente. Abra la puerta y coloque las hamburguesas dentro del microondas. Cierre la puerta.
 5. Presione el botón Start/Touch On (Inicio/Restablecer).

Cuando termine el ciclo de asado a la parrilla, escuchará una señal larga y el mensaje END (FIN) aparecerá en la pantalla.

Nota:

1. Convec Broil puede ser programado con ajuste de mayor/menor tiempo. Vea la página 37.
2. Si intenta ingresar mayor o menor cantidad que la indicada en la tabla a continuación, la pantalla mostrará un mensaje de error.
3. Para asar a la parrilla otros alimentos o alimentos que estén por encima o debajo del peso o número permitido en la tabla Convec Broil, siga las instrucciones del libro de cocina el horno microondas por convección Viking. Vea la tabla para Asar a la parrilla por convección.

TABLA CONVEC BROIL (ASAR A LA PARRILLA POR CONVECCIÓN)

AJUSTE/ ALIMENTO	CANTIDAD	PROCEDIMIENTO
1. Hamburgue- sas	1 - 8 unidades 0.25 lb cada una	Use este ajuste para asar a la parrilla hamburgue- sas individuales. Coloque en la rejilla inferior.
2. Piezas de pollo	0.5 - 3.0 lb	Coloque las piezas en la rejilla inferior. Después de la cocción deje reposar de 3 a 5 minutos. La carne oscura debe estar a 180°F mientras que la carne blanca debe estar a 170°F.
3. Steaks	0.5 - 2.0 lb	Use this AJUSTE to broil steaks from ¾" to 1" thick. Individual boneless steaks broil evenly. Place steak on low rack. For well done, touch Power Level once; for rare, touch Power Level twice.
4. Fish steaks	0.5 - 2.0 lb	Use this AJUSTE to broil fish steak which is ¾" to 1" thick. Place on low rack.

CONVEC ROAST (ASAR POR CONVECCIÓN)

Convec Roast asa automáticamente pollo, pavo, pechuga de pavo o cerdo.

- Suponga que quiere asar un pollo de 2.5 libras.
1. Presione el botón Convec Roast.
 2. Seleccione el ajuste deseado.
Ej: Para pollo, presione el botón del número **[1]**.
 3. Presione los botones de número para ingresar el peso. Ej: **[2][5]** lb.
 4. Presione el botón Start/Touch On (Inicio/Restablecer).

Al terminar el ciclo Convec Roast escuchará una señal larga. Siga el mensaje indicado.

Nota:

1. Convec Roast puede ser programado con ajuste de mayor/menor tiempo. Vea la página 37.

- Si intenta ingresar mayor o menor peso que el indicado en la tabla a continuación, la pantalla mostrará un mensaje de error.
- Para asar otros alimentos o alimentos por encima o debajo del peso permitido en la tabla Convec Roast (Asar por convección), consulte la tabla de asado combinado en el libro de cocina del horno microondas con convección Viking.

TABLA CONVEC ROAST (ASAR POR CONVECCIÓN)

AJUSTE/ ALIMENTO	CANTIDAD	PROCEDIMIENTO
1. Pollo	2.5 - 7.0 lb	Coloque en la rejilla inferior. Al terminar el ciclo, cubra con papel aluminio y deje reposar de 5 a 10 minutos.
2. Pavo	6.5 - 9.0 lb	Sazone a su gusto. Coloque en la rejilla inferior. Al terminar el ciclo, cubra con papel aluminio y deje reposar 10 minutos. La temperatura interna de la carne blanca debe ser de 170°F y la de la carne oscura debe ser de 180°F.
3. Pechuga de pavo	3.0 - 6.0 lb	Sazone a su gusto. Coloque en la rejilla inferior. Al terminar el ciclo, cubra con papel aluminio y deje reposar 10 minutos. La temperatura interna de la carne blanca debe ser de 170°F.
4. Cerdo	2.0 - 3.5 lb	Se recomienda lomo de cerdo sin hueso porque se cocina de forma pareja. Coloque en la rejilla inferior. Después de la cocción, retire del horno, cubra con papel aluminio y deje reposar de 5 a 10 minutos. La temperatura interna debe ser de 160°F.

CONVEC BAKE (HORNEAR POR CONVECCIÓN)

Convec Bake hornea automáticamente bizcochos, brownies, panecillos y papas fritas.

- Suponga que quiere hornear un bizcocho de 13" x 9" x 2".

- Presione el botón Convec Bake (Hornear por convección).
- Seleccione el ajuste deseado.
Ej: Para bizcocho, presione el botón del número 1.
- Presione el botón Start/Touch On (Inicio/Restablecer).

Al terminar el ciclo de precalentamiento Convec Bake escuchará 4 señales largas. PREHEAT OVER PLACE ALIMENTO IN OVEN aparecerá en la pantalla repetidamente. Abra la puerta del horno y coloque el recipiente dentro del horno microondas. Cierre la puerta.

- Presione el botón Start/Touch On (Inicio/Restablecer).

Al terminar el ciclo Convec Bake escuchará 1 señal larga y la pantalla mostrará el mensaje END (FIN).

Nota:

1. Convec Bake con un ajuste de mayor o menor tiempo. Vea la página 37.
2. Para hornear otros alimentos, consulte la sección horneado en el libro de cocina del horno microondas con convección Viking.

TABLA CONVEC BAKE (HORNEAR POR CONVECCIÓN)

AJUSTE/ ALIMENTO	TAMAÑO DE LA BANDEJA/ CANT.	PROCEDIMIENTO
1. Bizcocho	13"x9"x2"	Ideal para mezcla instantánea para bizcochos o su propia receta. Prepare de acuerdo con las instrucciones del paquete o receta y coloque en una bandeja engrasada y enharinada de 13"x9"x2". Después de precalentar, coloque la bandeja en el horno microondas centrado en la rejilla inferior. Enfríe antes de aplicar el glaseado y sirva.
2. Brownies	13"x9"x2"	Ideal para mezcla instantánea para brownies o su propia receta para una bandeja de 13"x9"x2". Prepare de acuerdo con las instrucciones del paquete o receta y coloque en una bandeja engrasada y enharinada de 13"x9"x2". Después de precalentar, coloque la bandeja en el horno microondas centrado en la rejilla inferior. Enfríe antes de cortar en porciones.
3. Panecillos	Bandeja para 12 panecillos	Ideal para mezcla instantánea para panecillos o su propia receta para 12 panecillos medianos. Prepare de acuerdo con las instrucciones del paquete o su propia receta para una bandeja para 12 panecillos. Después de precalentar, coloque la bandeja en el horno microondas centrado en la rejilla inferior.
4. Papas fritas	Placa para galletas de 3 - 24 oz	Use papas fritas congeladas. No requiere precalentar para el procedimiento de horneado de papas fritas. Coloque las papas fritas en la placa para galletas en la rejilla inferior. Para papas al hilo, presione dos veces el botón Power Level (Nivel de potencia) para ingresar menos tiempo antes de presionar el botón Start/Touch On (Inicio/Restablecer).

OTRAS CARACTERÍSTICAS CONVENIENTES

HELP (AYUDA) (CONTROL PAD - BOTÓN DE CONTROL)

Help (Ayuda) le ofrece 5 funciones que facilitan el uso de su horno microondas ya que la pantalla interactiva le brinda instrucciones específicas.

1. CHILD LOCK (TRABA PARA NIÑOS)

La función Child Lock (Traba para niños) evita la operación no deseada del horno por parte de niños pequeños. El horno microondas puede ajustarse para que el panel de control se desactive o bloquee. Para ajustar, presione los botones Help, el número **1** y Start/Touch On (Inicio/Restablecer). Si presiona un botón, el mensaje **LOCK (BLOQUEO)** aparecerá en la pantalla.

Para cancelar, presione los botones Help (Ayuda) y Stop/Clear (Parar/Borrar).

2. ELIMINACIÓN DE LA SEÑAL AUDIBLE

Si usted desea operar su horno microondas sin señales audibles, presione los botones Help, el número **2** y Stop/Clear.

Para cancelar y establecer la señal audible, presione Help (Ayuda), el número **2** y los botones Start/Touch On (Inicio/Restablecer).

3. AUTO START (INICIO AUTOMÁTICO)

Si desea programar su horno microondas para empezar a cocinar automáticamente en un momento del día, siga este procedimiento:

- Suponga que quiere iniciar la cocción de un estofado al 50% por 20 minutos a las 4:30. Antes de hacer el ajuste, compruebe que el reloj esté indicando la hora correcta del día.
1. Presione el botón Help (Ayuda).
 2. Presione el botón **3** para seleccionar Auto Start (Inicio Automático).
 3. Para ingresar la hora de inicio a las 4:30, presione los números **4 3 0**.
 4. Presione el botón Clock (Reloj).
 5. Para ingresar el programa de cocción, presione Power Level (Nivel de potencia) el número **5** para una potencia al 50% y luego presione **2 0 0 0** con los botones de números para establecer el tiempo de cocción.
 6. Presione el botón Start/Touch On (Inicio/Restablecer).

Nota:

1. Puede usar Auto Start (Inicio automático) para las funciones manual cooking, Convec Broil, Convec Roast, Convec Bake si ha configurado el reloj.
2. Si abre la puerta del horno microondas después de programar Auto Start, es necesario presionar el botón Start/Touch On (Inicio/Restablecer) para que la hora de Auto Start aparezca en la pantalla de lectura, con el fin de que el horno microondas empiece automáticamente la cocción programada a la hora elegida de Auto Start.

3. Asegúrese de elegir alimentos que puedan dejarse en el horno microondas con seguridad hasta que se cumpla la hora programada para Auto Start. Las papas al horno son a menudo una buena elección.

4. SELECCIÓN DEL IDIOMA

El microondas viene configurado para inglés. Para cambiar, presione los botones Help (Ayuda) y el número **4**. Continúe presionando el botón número **4** hasta seleccionar la opción que prefiera. Luego, presione el botón Start/Touch On (Inicio/Restablecer).

Presione una vez el número **4** para inglés.

Presione dos veces el número **4** para español.

Presione tres veces el número **4** para francés.

5. PESO Y SELECCIÓN DE TEMPERATURAS

El horno microondas cuenta con ajustes para las unidades-libras acostumbradas en los Estados Unidos. Para cambiar, presione Help (Ayuda) y el número **5**. Siga presionando el número **5** hasta seleccionar la opción que prefiera. Luego, presione el botón Start/Touch On (Inicio/Restablecer).

Presione una vez el número **5** para LB / °F.

Presione dos veces el número **5** para KG / °C.

COCCIÓN EN SECUENCIAS MÚLTIPLES

El horno microondas puede ser programado hasta para 4 secuencias de cocción automática en el modo microondas y 2 secuencias de cocción automática con precalentamiento para el modo convección/mixto, cambiando automáticamente de un ajuste de nivel de potencia a otro.

A veces, las instrucciones de cocción le indican empezar en un nivel de potencia y luego cambiar a un nivel de potencia diferente. Su horno microondas puede hacerlo automáticamente.

- Imagine que desea cocinar un bife asado por 5 minutos al 90% y luego continuar la cocción por 30 minutos al 50%.
1. Presione Power Level (Nivel de potencia) una vez y el botón del número **9** para la potencia al 90%.
 2. Ingrese el primer tiempo de cocción presionando **5 0 0** con los botones de números.
 3. Presione Power Level (Nivel de potencia) nuevamente y el botón del número **5** para la potencia al 50%.
 4. Luego ingrese el segundo tiempo de cocción presionando **3 0 0 0** con los botones de números.
 5. Presione el botón Start/Touch On (Inicio/Restablecer).

Nota:

1. Si presiona dos veces el botón Power Level (Nivel de potencia), aparecerá el mensaje HIGH (ALT) en la pantalla.

2. Si desea saber el nivel de potencia, simplemente presione el botón Power Level. Siempre que presione el botón Power Level, el nivel de potencia aparecerá en pantalla.

TIMER (TEMPORIZADOR)

- Suponga que desea cronometrar una llamada telefónica de larga distancia de 3 minutos.
1. Presione el botón Timer
 2. Ingrese el tiempo presionando **3|0|0** con los botones de números.
 3. Presione el botón Start/Touch On (Inicio/Restablecer).

MAYOR O MENOR AJUSTE DE TIEMPO

MAYOR: Si prefiere alguno de los ajustes de Sensor, Sensor Cook, Defrost, Convec Broil, Convec Roast o Convec Bake ligeramente más cocidos, presione el botón Power Level (Nivel de Potencia) una vez después de presionar los botones de su elección.

MENOR: Si prefiere alguno de los ajustes de Sensor, Sensor Cook, Defrost, Convec Broil, Convec Roast o Convec Bake ligeramente menos cocidos, presione el botón Power Level (Nivel de Potencia) una vez después de presionar los botones de su elección.

ADD-A-MINUTE (AGREGUE-UN-MINUTO)

Add-A-Minute (Agregue-Un-Minuto) le permite cocinar por un minuto al 100% simplemente presionando el botón Add-A-Minute. También puede extender el tiempo de cocción en múltiplos de 1 minuto presionando repetidamente el botón Add-A-Minute durante la cocción manual.

- Imagine que usted desea calentar una taza de sopa por un minuto. Presione el botón Add-A-Minute.

Nota:

1. Para utilizar Add-A-Minute, presione el botón dentro de 1 minuto después de la cocción, de cerrar la puerta, de presionar el botón Stop/Clear o durante la cocción.
2. Add-A-Minute no puede ser usado con Sensor, Sensor Cook, Defrost, Convec Broil, Convec Roast o Convec Bake.

TOUCH ON (RESTABLECER)

Touch On (Restablecer) le permite cocinar a una potencia al 100% presionando continuamente el botón Start/Touch On (Inicio/Restablecer). Touch On es ideal para derretir queso y calentar la leche por debajo de su punto de ebullición, etc.

El tiempo de cocción máximo es de 3 minutos.

- Suponga que desea fundir queso en un pedazo de tostada.
1. Presione continuamente el botón Start/Touch On (Inicio/Restablecer). El tiempo de cocción empezará el conteo progresivo.

2. Cuando el queso esté fundido al grado deseado, retire su dedo del botón Start/Touch On. El horno microondas se detiene inmediatamente.

Nota:

1. Anote el tiempo que toma para alimentos usados frecuentemente y programe ese tiempo en el futuro.
2. Para usar Touch On, presione el botón dentro del primer minuto posterior a la cocción, abriendo y cerrando la puerta o presionando el botón Stop/Clear (Parar/Borrar).
3. Sólo se puede usar Restablecer 3 veces seguidas. Si necesita más veces, abra y cierre la puerta o presione Stop/Clear.

HELP (DISPLAY INDICATOR) - AYUDA (INDICADOR DE PANTALLA)

Cada ajuste de Defrost, Convec Broil, Convec Roast, Convec Bake, Sensor Cook y Sensor cuentan con una sugerencia de cocción. Si desea verificarlo, presione el botón HELP (AYUDA) cuando éste se encienda en la pantalla interactiva para acceder a estas sugerencias.

MODO DE DEMOSTRACIÓN

Como demostración, presione Clock (Reloj), el número **0** y luego el botón Start/Touch On (Inicio/Restablecer) por 3 segundos. **DEMO ON DURING DEMO NO OPEN POWER** y **DEMO** aparecerán en la pantalla. Ahora puede demostrar las operaciones de cocción y las funciones especiales específicas sin potencia en el horno microondas. Por ejemplo, presione el botón Add-A-Minute (Agregue-un-minuto) y la pantalla mostrará **1:00** e irá en cuenta regresiva rápidamente hasta **END (FIN)**.

Para cancelar, presione Clock (Reloj), después el número **0** y el botón Stop/Clear. Si le resulta más fácil, desconecte el horno microondas del tomacorriente eléctrico y vuelva a conectarlo.

LIMPIEZA Y CUIDADO

Desconecte el cable de alimentación antes de la limpieza o deje la puerta abierta para desactivar el horno microondas durante la limpieza.

EXTERIOR

La superficie externa está pintada. Limpie el exterior con jabón suave y agua; enjuague y seque con un paño suave. No use ningún tipo de limpiador doméstico o abrasivo.

PUERTA

Limpie cualquier salpicadura o derrame de la ventana por ambos lados con un paño húmedo. Las partes de metal son más fáciles de mantener si se limpian frecuentemente con un paño húmedo. Evite el uso de limpiadores con atomizadores o ásperos, ya que pueden manchar, vetear u opacar la superficie de la puerta.

PANEL DE CONTROL TÁCTIL

El panel de control táctil debe limpiarse con cuidado. Si el panel de control se ensucia, abra la puerta del horno microondas antes de limpiarlo. Limpie el panel con un paño humedecido ligeramente solo con agua. Seque con un paño suave. No restriegue ni use ningún tipo de limpiador químico. Cierre la puerta y presione el botón Stop/Clear.

PARTE INTERNA - DESPUÉS DE LA COCCIÓN POR MICROONDAS

La limpieza es fácil porque se genera poco calor en las superficies internas; por lo tanto, las salpicaduras o derrames no se hornean ni endurecen. Para limpiar las superficies internas, limpie con un paño suave y húmedo con agua tibia. **NO USE LIMPIADORES ABRASIVOS O ÁSPEROS O ESPONJILLAS DE FREGAR.** Para una suciedad más intensa, utilice bicarbonato de sodio o un jabón suave; enjuague cuidadosamente con agua caliente. **NUNCA ROCÍE DIRECTAMENTE LIMPIADORES PARA HORNO SOBRE NINGUNA PARTE DEL HORNO MICROONDAS.**

PARTE INTERNA - DESPUÉS DE LA COCCIÓN POR CONVECCIÓN, MIXTA O ASAR

Pueden ocurrir derrames debido a la humedad o la grasa. Lave inmediatamente después de usarlo con agua caliente jabonosa. Enjuague y seque. Puede tener dificultad para eliminar derrames si no limpia cuidadosamente el horno microondas o si el tiempo de cocción es prolongado o la temperatura es muy alta. En ese caso, puede comprar una esponja limpiadora para horno que viene impregnada con líquido limpiador – no es la esponja de acero impregnada con jabón – para uso en superficies de acero o porcelana. Siga cuidadosamente las instrucciones del fabricante y tenga especial cuidado de no derramar el líquido limpiador en los agujeros de la pared o techo ni en ninguna de las superficies de la puerta. Enjuague cuidadosamente y seque.

CUBIERTA DE LA GUÍA DE ONDA

La cubierta de la guía de onda está hecha de mica por lo que requiere cuidado especial. Conserve limpia la cubierta de la guía de onda para asegurar un buen rendimiento del horno microondas. Limpie cuidadosamente con un paño humedecido cualquier salpicadura de alimento de la superficie de la cubierta inmediatamente después de que haya ocurrido. Las salpicaduras acumuladas pueden provocar sobrecalentamiento y ocasionar humo o posiblemente incendiarse. No retire la cubierta de la guía de onda.

ELIMINACIÓN DE OLORES

Ocasionalmente, el olor de la cocción puede permanecer en el horno microondas. Para eliminarlo, mezcle 1 taza de agua, el jugo de un limón y su cáscara rallada y varios clavos enteros en una taza de medida de vidrio con capacidad para dos tazas. Hierva por varios minutos utilizando la potencia al 100%. Deje reposar en el horno microondas hasta que enfríe. Limpie el interior con un paño suave.

TURNTABLE/ TURNTABLE SUPPORT (PLATO GIRATORIO/SOPORTE DEL PLATO GIRATORIO)

El plato giratorio cerámico y el soporte del plato giratorio pueden ser retirados para una limpieza fácil. Lávelos en agua jabonosa suave; para manchas persistentes utilice un limpiador suave y una esponja de fregar como se describe anteriormente. También son aptos para el lavaplatos usando una rejilla.

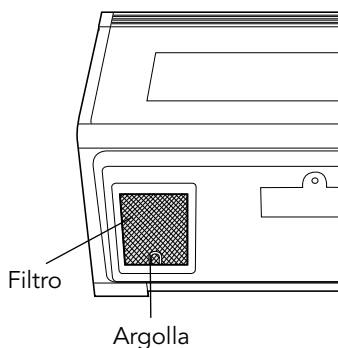
REJILLAS DEL HORNO MICROONDAS

Las rejillas alta y baja para hornear pueden ser retiradas para una limpieza fácil y almacenadas fuera del horno microondas cuando no sean necesarias. Después de cada uso, lávelas en agua jabonosa suave. Para manchas persistentes utilice un limpiador suave y una esponja de fregar como se describe anteriormente. Son aptos para lavadora de platos.

FILTROS PARA GRASA

Los filtros deberán limpiarse por lo menos una vez al mes. Nunca opere el ventilador o el horno microondas sin haber colocado los filtros.

1. Tire del anillo hacia el frente del horno microondas, bajando ligeramente y retire el filtro. Repita para el otro filtro.
2. Remoje los filtros en un lavatorio o recipiente lleno de agua caliente y detergente. NO use amoníaco o ninguna sustancia alcalina; éstas reaccionarán con el material del filtro y lo oscurecerán.
3. Agite y restriegue con una escobilla para retirar la suciedad incrustada.
4. Enjuague cuidadosamente y sacuda para secar.
5. Reemplace colocando el filtro nuevamente en la abertura.



VENTILADOR

El ventilador se activará automáticamente cuando aumente el calor de la superficie de la estufa y al utilizar las funciones de convección, mixta alta, mixta baja o para asar a la parrilla. Esto protege al horno microondas del aumento excesivo de temperatura. El ventilador permanecerá encendido hasta que la temperatura disminuya. No se puede apagar manualmente durante este tiempo.

Para otros usos, elija la velocidad alta o baja.

PRECAUCIONES PARA USO ADECUADO:

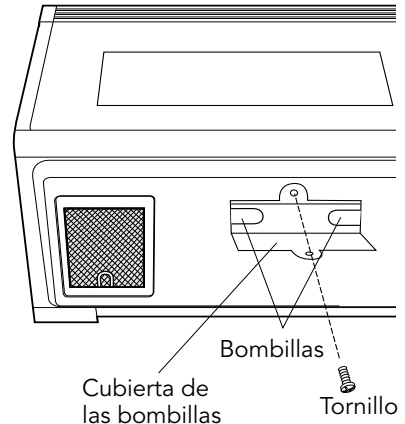
1. NO deje la superficie de cocción sin atención al usar altas temperaturas. Puede empezar a funcionar el ventilador automático y generar aire en exceso para las unidades de la superficie. Esto puede causar derrames o reboses.

2. Evite quemar los alimentos.
3. Mantenga limpios los filtros para grasa.

LUZ

1. Para reemplazar las bombillas, primero desconecte la alimentación eléctrica del horno microondas en el panel del interruptor de circuito o desconéctelo.
2. Para retirar la tapa, retire el tornillo de la tapa de las bombillas. (Vea la ilustración.)
3. Reemplace las bombillas sólo con bombillas de 20 y 40 vatios. Están disponibles en la mayoría de ferreterías o tiendas de productos de iluminación. La unidad incluye una bombilla de 20 vatios y una de 40 vatios. **NO UTILICE UNA BOMBILLA DE MÁS DE 40 VATIOS**
4. Cierre la cubierta de la bombilla y asegúrela con el tornillo retirado en el paso 2.

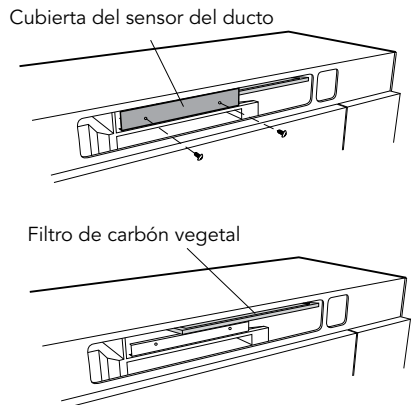
Precauciones: La cubierta de la bombilla puede calentarse bastante. No toque el vidrio cuando la luz esté encendida. No use la luz por un tiempo extendido como una luz nocturna.



FILTRO DE CARBÓN VEGETAL

El filtro de carbón vegetal es usado para instalación sin ventilación, recirculada. El filtro de carbón vegetal debe ser reemplazado cada 6 a 12 meses, según el uso.

1. Desconecte la energía del horno en el panel del interruptor de circuito o desenchúfelo.
2. Retire los 2 tornillos que aseguran la rejilla.
3. Retire la rejilla moviéndola ligeramente y tirando de la unidad.
4. Retire los 2 tornillos que aseguran la cubierta del sensor del ducto.
5. Retire la cubierta del sensor del ducto.
6. Retire el filtro de carbón vegetal usado (si hay uno instalado).
7. Deslice el nuevo filtro de carbón vegetal en su lugar y asegure con 2 tornillos.
8. Reinstale la cubierta del sensor del ducto y asegure con 2 tornillos.

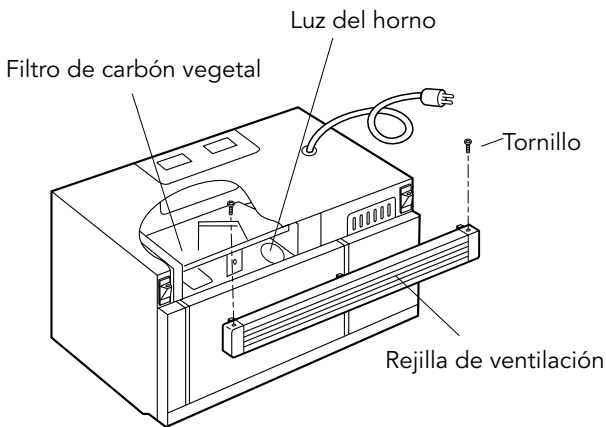


9. Coloque nuevamente la rejilla y reinstale los 2 tornillos para asegurarla.

LUZ DEL HORNO MICROONDAS

Retire la rejilla de acuerdo con las instrucciones 1-3 en la sección FILTRO DE CARBÓN VEGETAL (página 41) y el filtro de carbón vegetal, si es necesario.

4. Deslice la cubierta de la luz hacia adelante y levante.
5. Retire la bombilla vieja y reemplace sólo con una bombilla de 20 vatios disponible en la mayoría de ferreterías o tiendas de productos de iluminación. **NO UTILICE UNA BOMBILLA DE MÁS DE 30 VATIOS.**
6. Reinstale la cubierta de la luz del microondas y del filtro de carbón vegetal, si es necesario; presione la rejilla para colocarla en su lugar y reinstale los tornillos de montaje de la rejilla.



ESPECIFICACIONES

Voltaje en línea de CA:	Capacidad UL - 120V monofásico, 60Hz, sólo CA Capacidad CSA - 116V monofásico, 60Hz, sólo CA
Energía de CA requerida:	Capacidad UL - Microondas 1.60 kW , 13.2 amps. Capacidad UL - Convección 1.60 kW, 13.2 amps. Capacidad CSA - Microondas 1.5 kW, 13.0 amps. Capacidad CSA - Convección 1.5 kW, 13.0 amps.
Potencia de salida	
Microondas:	850 vatios*
Calentador por convección:	1400 vatios
Frecuencia:	2450 MHz
Dimensiones externas:	29 15/16"(Ancho) x 16 11/32"(Alto) x 15 9/32"(Prof.)
Dimensiones de la cavidad:	17 1/8"(Ancho) x 8 1/16"(Alto) x 13 13/16"(Prof.)
Capacidad del horno microondas:**	1.1 pies cúbicos
Uniformidad de cocción:	Plato giratorio y ventilador del agitador
Peso:	Aprox. 71 libras

* Método estandarizado de la Comisión Electrotécnica Internacional para la medición de la potencia en vatios de salida. Este método de prueba es ampliamente reconocido.

** La capacidad interna se calcula midiendo el ancho, la profundidad y la altura máxima. La capacidad real para los alimentos es menor.

Cumple con las normas establecidas por:

FCC – Autorizada por la Comisión Federal de Comunicaciones.

DHHS – Cumple con la norma del Departamento de Salud y Servicios Humanos (DHHS), CFR, Título 21, capítulo I, subcapítulo J.



– Este símbolo en la placa de identificación determina que el producto tiene la certificación de Underwriters Laboratories, Inc. para uso en EE.UU. o Canadá.

NHW – Departamento de salud y bienestar nacional del Canadá.

Este horno microondas está aprobado por Canadian Standard Association según está certificado.

REVISIÓN PARA SOLICITUD DE SERVICIO

Revise lo siguiente antes de llamar para solicitar servicio:

1. Coloque en el horno microondas una taza de agua en una taza medidora de vidrio y cierre la puerta firmemente.

Opere el horno microondas por un minuto en HIGH 100%.

A ¿Se enciende la luz del horno microondas? Sí ___ NO ___

B ¿Funciona el ventilador de enfriamiento? Sí ___ NO ___
(Coloque su mano en la ranura de ventilación posterior).

C ¿El plato giratorio gira? Sí ___ NO ___
(Es normal que el plato giratorio gire en cualquier dirección)

D ¿El agua que está en el horno microondas Sí ___ NO ___
está caliente?

2. Retire el agua del horno y hágalo funcionar por 5 minutos en Convección a 450°F.

Opere el horno microondas por un minuto en HIGH 100%.

A ¿Se encienden las luces indicadoras CONV y COOK? Sí ___ NO ___

B Después de apagar el horno microondas, Sí ___ NO ___
¿todavía está caliente su parte interna?

Si respondió "NO" a cualquiera de las preguntas anteriores, por favor revise el tomacorriente eléctrico, la caja de fusibles y/o el interruptor del circuito. Si están funcionando correctamente, COMUNÍQUESE CON EL PERSONAL DE SERVICIO AUTORIZADO VIKING MÁS CERCANO.

Un horno microondas nunca debe ser reparado por una persona "no calificada".

Nota: Si el tiempo que aparece en la pantalla está haciendo cuenta regresiva rápidamente, verifique el Modo de demostración en la página 38 y cancele.

GARANTÍA DEL HORNO MICROONDAS

TRES AÑOS DE GARANTÍA COMPLETA

El horno microondas Viking y todas las partes y accesorios del componente, excepto como se detalla a continuación*, están garantizadas de no presentar materiales o mano de obra defectuosa en uso doméstico normal por un periodo de treinta y seis (36) meses a partir de la fecha de compra original al por menor. Viking Range, LLC, garante, se compromete a reparar o reemplazar, a su elección, cualquier parte que falle o se encuentre defectuosa durante el periodo de garantía.

*Los artículos de vidrio (incluyendo las bombillas), pintados y decorativos están garantizados de no presentar materiales o mano de obra defectuosa por un periodo de noventa (90) días a partir de la fecha de compra original al por menor. CUALQUIER DEFECTO DEBE SER INFORMADO AL DISTRIBUIDOR DE VENTA DENTRO DE LOS NOVENTA (90) DÍAS A PARTIR DE LA FECHA DE COMPRA ORIGINAL AL POR MENOR.

GARANTÍA LIMITADA DE CINCO AÑOS

Si el tubo de magnetrón falla debido a materiales o mano de obra defectuosa en uso doméstico normal durante el segundo al quinto año a partir de la fecha de compra original al por menor, será reparado o reemplazado, sin cargo para dicha parte, pagando el propietario todos los demás gastos, incluyendo mano de obra.

Esta garantía se extiende al comprador original del producto que aquí se garantiza y a cada propietario cesionario del producto durante el plazo de la garantía.

Esta garantía se aplicará a los productos comprados y ubicados aquí en los Estados Unidos y Canadá. Los productos deberán ser adquiridos en el país donde se solicite el servicio. La mano de obra de garantía debe ser realizada por una agencia de servicio o representante autorizado de Viking Range, LLC. La garantía no se aplicará a daños que resulten de abuso, accidente, desastres naturales, pérdida de energía eléctrica para el producto por cualquier razón, alteración, uso al aire libre, instalación inadecuada, operación, reparación o servicio inadecuado del producto por alguien ajeno a una agencia de servicio o representante autorizado de Viking Range, LLC. Esta garantía no se aplica para uso comercial. El garante no se responsabiliza por daños resultantes o accidentales si surgen como resultado del incumplimiento de la garantía, incumplimiento del contrato, u otro. Algunas jurisdicciones no aceptan la exclusión o limitación de daños accidentales o resultantes, de modo que la limitación antes mencionada puede no aplicarse a usted.

El propietario debe ser responsable de una adecuada instalación, proporcionando un cuidado y mantenimiento normal, proporcionando el Comprobante de compra cuando se le solicite, y haciendo que el electrodoméstico esté razonablemente accesible para reparación. Si el producto o una de las partes del componente contienen un defecto o falla durante el periodo de garantía, después de un número razonable de intentos por parte del garante para remediar los defectos o fallas, el propietario tiene derecho a un reembolso o reemplazo del producto o de la parte o partes del componente. La responsabilidad del garante en cualquier reclamo de cualquier tipo, con respecto a los productos o servicios que aquí se cubren, no deberá en ningún caso exceder el precio de los productos o servicio de dicha parte que origine el reclamo.

SERVICIO DE GARANTÍA: Bajo los términos de esta garantía, el servicio debe ser realizado por un representante o agente de servicio de Viking Range, LLC autorizado por la fábrica. Se brindará el servicio durante las horas normales de oficina, y la mano de obra realizada en horas extras o tarifas premium no estarán cubiertas por esta garantía. Para obtener el servicio de garantía, comuníquese con el distribuidor al que le compró el producto, un agente de servicio autorizado de Viking Range, LLC, o con Viking Range, LLC. Proporcione el modelo y número de serie y la fecha de compra original. Para conocer el nombre de su agencia de servicio autorizada de Viking Range, LLC más cercana, llame al distribuidor al que le compró el producto o a Viking Range, LLC. **IMPORTANTE:** Conserve el comprobante de compra original para establecer el periodo de garantía.

La devolución de la Tarjeta de registro del propietario no es una condición de cobertura de la garantía. Sin embargo, debe devolver la Tarjeta de registro del propietario para que Viking Range, LLC pueda contactarse con usted en caso de surgir alguna pregunta o seguridad que pueda afectarlo.

Cualquier garantía implícita de comerciabilidad y adaptación aplicable a los elementos o partes descritas anteriormente está limitada en duración al periodo de cobertura de las garantías limitadas escritas expresas aplicables establecidas anteriormente. Algunas jurisdicciones no permiten limitaciones sobre cuánto tiempo dura una garantía implícita, de modo que la limitación antes mencionada puede no aplicarse a usted. Esta garantía le otorga derechos legales específicos y también puede tener otros derechos que pueden variar de jurisdicción en jurisdicción.

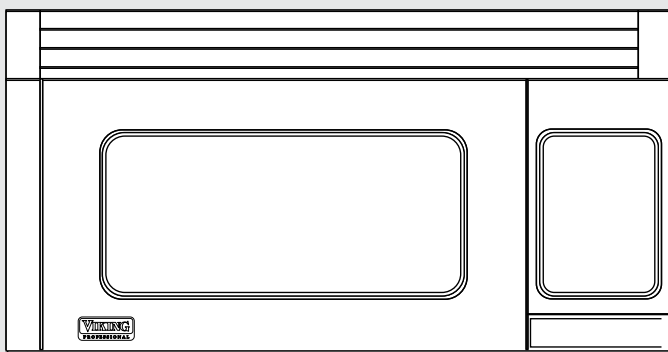
Viking Range, LLC

111 Front Street

Greenwood, Mississippi (MS) 38930 USA (888) 845-4641

Especificaciones sujetas a cambios sin previo aviso.
Para más información del producto, llame al 1-888-VIKING1 (845-4641)
o visite el sitio Web de Viking en <http://www.vikingrange.com>

Manuel d'utilisation et d'entretien de Viking



Micro-ondes à hotte et à convection

INFORMATIONS DE DÉPANNAGE

Si du dépannage est requis :

1. Appeler votre revendeur ou une société de dépannage agréée. Ses coordonnées peuvent être obtenues du revendeur ou distributeur de votre région.
2. Préparer les informations suivantes à l'avance :
 - a. Numéro de modèle
 - b. Numéro de série
 - c. Date d'achat
 - d. Nom du revendeur où a eu lieu l'achat
3. Décrire clairement le problème rencontré.

En cas d'impossibilité d'obtention du nom d'une société de dépannage, ou si les ennuis continuent, contacter directement Viking Range, LLC au (888) 845-4641 ou écrire à :

VIKING RANGE, LLC
PREFERRED SERVICE
111 Front Street
Greenwood, Mississippi (MS) 38930 USA

Enregistrer les informations indiquées ci-dessous. Elles seront nécessaires si vous avez besoin d'un dépannage. Les numéros de modèle et de série de votre micro-ondes sont situés sur le côté gauche de sa cavité sur une étiquette signalétique.

Numéro de modèle _____ Numéro de série _____

Date d'achat _____ Date d'installation _____

Nom du revendeur _____

Adresse _____

Si le dépannage demande l'installation de pièces, n'utiliser que des pièces autorisées pour conserver la protection de la garantie.

VEUILLEZ CONSERVER CE MANUEL COMME RÉFÉRENCE ULTÉRIEURE

TABLE DES MATIÈRES

- 2 INFORMATIONS DE DÉPANNAGE**
- 3 TABLE DES MATIÈRES**
- 4-5 IMPORTANTES CONSIGNES DE SÉCURITÉ**
- 6 PRÉCAUTIONS POUR ÉVITER LE RISQUE D'UNE EXPOSITION AUX MICRO-ONDES**
- 6 DÉBALLAGE ET INSPECTION DU FOUR**
- 7 INSTRUCTIONS DE MISE À LA TERRE**
- 8-14 RENSEIGNEMENTS UTILES**
 - 8 Le four à micro-ondes
 - 8 À propos des enfants et du four à micro-ondes
 - 9 Préparation de divers aliments
- 10-13 Ustensiles et couvercles
 - 13 À propos de la cuisson aux micro-ondes
 - 14 À propos de la sécurité
- 15-17 NOMENCLATURE**
- 15-16 Pièces du four à micro-ondes
 - 17 Tableau de commande
- 18 AVANT L'USAGE**
 - 18 Réglage de l'horloge
 - 18 Arrêt/Annulation
- 19-21 FONCTIONNEMENT MANUEL DU FOUR À MICRO-ONDES**
 - 19 Cuisson par micro-ondes
 - 19 Réglage du niveau de puissance
 - 20 Maintien au chaud
 - 20 Lampe/ventilateur de hotte
- 20-21 Marche/arrêt du plateau tournant
- 21-27 PARTICULARITÉS DU FOUR À MICRO-ONDES**
 - 21 Defrost (Décongélation)
 - 22 Tableau Defrost (Décongélation)
 - 22-23 Décongélation manuelle
 - 23-24 Sensor Cooking (Cuisson au capteur)
 - 24 Reheat (Réchauffage)
 - 24 Popcorn
 - 25-26 Tableau Sensor (Capteur)
 - 26 Sensor Cook (Cuisson au capteur)
 - 26-27 Tableau Sensor Cook (Cuisson au capteur)
- 28-31 CUISSON PAR CONVECTION/ COMBINAISON AUTOMATIQUE**
 - 28-29 Cuisson par convection
 - 28 Cuire par convection
 - 28-29 Préchauffage et cuisson par convection
 - 29 Broil (Grillade)
 - 29 Slow Cook (Cuisson lente)
 - 29-31 Cuisson avec combinaison automatique
 - 30 Pour cuire avec combinaison automatique
 - 30 Pour préchauffer et cuire avec combinaison automatique
- 31-34 CONVECTION AUTOMATIQUE FONCTIONS**
 - 31 Convec Broil
 - 32 Tableau Convec Broil
 - 32 Convec Roast
 - 33 Tableau Convec Roast
 - 33 Convec Bake
 - 34 Tableau Convec Bake
- 35-38 AUTRES PARTICULARITÉS PRATIQUES**
 - 35-36 Help (Aide - Touche de commande)
 - 36 Séquence de cuisson multiple
 - 36-37 Timer (Minuterie)
 - 37 Réglage des temps de cuisson
 - 37 Add-A-Minute (Ajout d'une minute de cuisson)
 - 37-38 Touch On (Touche de puissance maximale)
 - 38 Aide (indication à l'affichage)
 - 38 Mode de démonstration
- 38-42 NETTOYAGE ET ENTRETIEN**
- 43 FICHE TECHNIQUE**
- 44 VERIFICATION AVANT D'APPELER UN RÉPARATEUR**
- 45 GARANTIE DU FOUR MICRO-ONDES**

IMPORTANTES CONSIGNES DE SÉCURITÉ

Certaines précautions de sécurité devraient toujours être prises lorsqu'on se sert d'appareils électriques :

AVERTISSEMENT — Pour réduire les risques de brûlures, de chocs électriques, de feu, de blessures ou d'exposition aux micro-ondes :

1. LIRE TOUTES LES INSTRUCTIONS AVANT DE SE SERVIR DE L'APPAREIL.
2. Lire et suivre les PRÉCAUTIONS POUR ÉVITER LE RISQUE D'UNE EXPOSITION AUX MICRO-ONDES à l'intérieur de la couverture avant, page 6.
3. Cet appareil doit être mis à la terre. Brancher seulement à une prise à trois broches. Se reporter aux «INSTRUCTIONS DE MISE À LA TERRE», page 7.
4. Installer ou placer l'appareil conformément aux instructions d'installation fournies.
5. Certains produits comme des oeufs entiers et des contenants scellés — par exemple des bocaux en verre fermés — peuvent exploser et ne doivent pas être chauffés dans ce four.
6. N'utiliser cet appareil qu'aux fins décrites dans ce manuel. Ne pas utiliser de produits corrosifs dans le four à micro-ondes. Ce four a été conçu pour la cuisson et le réchauffage des aliments, non pour un usage industriel ou des travaux en laboratoire.
7. Comme pour tout appareil, exercer une surveillance étroite quand des enfants l'utilisent.
8. Ne pas faire fonctionner l'appareil si le cordon ou la fiche sont endommagés, si l'appareil ne fonctionne pas bien ou s'il a été endommagé ou est tombé.
9. Cet appareil ne doit être réparé que par du personnel de service autorisé. Communiquer avec le service de réparations autorisé Viking le plus proche pour un examen, une réparation ou un réglage.
10. Ne couvrir ni bloquer d'ouverture de l'appareil.
11. Ne pas laisser ni utiliser cet appareil à l'extérieur. Ne pas utiliser ce produit à proximité d'eau — comme par exemple près d'un évier de cuisine, dans un sous-sol humide, près d'une piscine ou dans d'autres endroits semblables.
12. Ne pas immerger le cordon ou la fiche dans l'eau.
13. Garder le cordon loin des surfaces chauffées.
14. Ne pas laisser pendre le cordon de la table ou du comptoir.
15. Voir les instructions pour le nettoyage de la surface de la porte à la page 38.

16. Pour réduire les risques de feu à l'intérieur du four :
 - a. Ne pas trop faire cuire les aliments. Soyez prudent en restant près du four quand vous utilisez du papier, du plastique ou tout autre matériel combustible pour faciliter la cuisson.
 - b. Retirer les attaches de métal des sacs de papier ou de plastique avant de mettre les sacs au four.
 - c. **Si les matériaux à l'intérieur du four prennent feu, garder la porte du four fermée, arrêter le four et débrancher la fiche ou couper l'électricité au panneau d'entrée.**
 - d. Ne pas utiliser la cavité comme espace de rangement. Ne laisser ni papier, ni ustensiles, ni aliments dans la cavité lorsque l'appareil n'est pas utilisé.
17. Des liquides tels que l'eau, le café ou le thé peuvent chauffer au-delà du point d'ébullition sans qu'aucun bouillonnement n'apparaisse. Ainsi, quand le contenant est retiré du four, il peut ne pas y avoir d'ébullition ou de bouillonnement apparents. **IL PEUT EN RÉSULTER UN DÉBORDEMENT DES LIQUIDES TRÈS CHAUDS LORSQU'UNE CUILLER OU UN AUTRE USTENSILE EST PLONGÉ DANS LE LIQUIDE.**

Pour réduire le risque de blessures :

 - a. Ne pas trop chauffer le liquide.
 - b. Remuer le liquide et avant de le chauffer et à mi-cuisson.
 - c. Ne pas utiliser de contenants à bords droits et à goulot mince. Utiliser un bocal à large goulot.
 - d. Après le chauffage, laisser reposer le contenant dans le four à micro-ondes pour au moins 20 secondes avant de le retirer.
 - e. Faire très attention en plongeant une cuiller ou un autre ustensile dans le contenant.
18. Nettoyer fréquemment les ouvertures de ventilation et les filtres -- il ne faut pas laisser de la graisse s'accumuler sur les ouvertures de ventilation, la hotte ou les filtres à graisse.
19. Faire très attention quand vous nettoyez l'évent à lame et les filtres à graisse. Les agents de nettoyage corrosifs, tels que les nettoyeurs pour fours à la soude, peuvent endommager l'évent à lame et les filtres à graisse.
20. Si vous flambez des plats sous la hotte, mettre le ventilateur en marche.
21. Cet appareil convient pour un emploi au-dessus d'un équipement de cuisson au gaz ou à l'électricité d'une largeur de 90 cm ou moins.

CONSERVER CE MODE D'EMPLOI

PRÉCAUTIONS POUR ÉVITER LE RISQUE D'UNE EXPOSITION AUX MICRO-ONDES

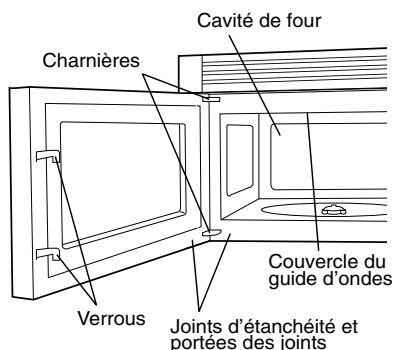
- (a) Ne pas essayer de faire fonctionner ce four lorsque que la porte est ouverte, car le fonctionnement avec la porte ouverte pourrait entraîner une exposition dangereuse aux micro-ondes. Il est important que le système de fermeture de sûreté ne soit pas désamorcé ou modifié.
- (b) Ne placer aucun objet entre le cadre et la porte du four et ne pas laisser de saleté ou de traces de produits de nettoyage s'accumuler sur les surfaces d'étanchéité.
- (c) Ne pas utiliser le four s'il est endommagé. Il est particulièrement important que la porte ferme correctement et que les éléments suivants ne présentent pas de défauts : (1) porte (gauchie), (2) charnières et verrous (brisés ou desserrés), (3) joints et surfaces d'étanchéité de la porte.
- (d) Le four ne doit être réglé ou réparé que par du personnel d'entretien qualifié.

DÉBALLAGE ET INSPECTION DU FOUR

Retirer tous les matériaux d'emballage qui se trouvent à l'intérieur de la cavité du four; cependant, **NE PAS ENLEVER LE COUVERCLE DU GUIDE D'ONDES** qui se trouve sur la paroi supérieure de la cavité du four. Lire les pièces jointes et **CONSERVER** le manuel d'utilisation.

Retirer enlevez soigneusement le four du carton. **GARDEZ LE CARTON CAR IL PEUT FACILITER L'INSTALLATION.**

Vérifier que le four n'a subi aucun dommage, en particulier que la porte n'est ni tordue ni décentrée, que les joints et les surfaces d'étanchéité ne sont pas endommagés, que les charnières et les verrous ne sont pas brisés ou desserrés et que la porte ou l'intérieur de la cavité ne porte aucune trace de coups. Si on constate quelque dommage que ce soit, ne pas faire fonctionner le four et communiquer avec le détaillant ou un **BUREAU DE SERVICE VIKING AUTORISÉ.**



INSTRUCTIONS DE MISE À LA TERRE

Cet appareil doit être mis à la terre. Ce four est équipé d'un cordon d'alimentation avec fil de mise à la terre, et d'une fiche de mise à la terre. Il faut le brancher dans une prise murale qui a été installée correctement et mise à la terre selon le Code national de l'électricité et les codes et décrets locaux. En cas de court-circuit électrique, la mise à la terre réduit les risques de choc électrique en permettant au courant de s'échapper par le fil de mise à la terre.

AVERTISSEMENT – Un mauvais usage de la prise de terre peut causer des chocs électriques.

INSTALLATION ÉLECTRIQUE

Vérifier les instructions d'installation pour l'emplacement correct de l'alimentation électrique.

La tension d'alimentation est 120 volts, 60 Hz, CA seulement, 15 A ou plus et doit être protégée. Il est recommandé d'alimenter le four par un circuit séparé.

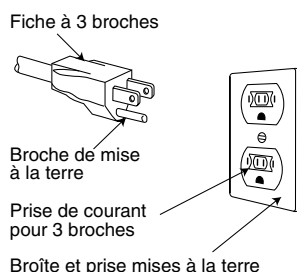
Le four est équipé d'une fiche de terre à trois broches. Il faut la brancher dans une prise murale correctement installée et mise à la terre. **IL NE FAUT EN AUCUN CAS ENLEVER LA BROCHE DE MISE À LA TERRE DE LA FICHE.**

Remarques :

1. Pour toute question à propos de l'installation électrique ou de la mise à la terre, consulter un électricien de métier ou un réparateur qualifié.
2. Ni Viking ni le détaillant ne peuvent être tenus responsables des dommages au four ou des blessures causés par une installation qui ne répond pas aux normes.

INTERFÉRENCE RADIO OU TÉLÉVISION

Si le four à micro-ondes provoque de l'interférence avec la radio ou la télévision, vérifier qu'il est branché sur un circuit indépendant, en éloigner la radio ou la télévision le plus possible et vérifier la position et le signal de l'antenne de réception.



RENSEIGNEMENTS UTILES

LE FOUR À MICRO-ONDES

Ce mode d'emploi est précieux; le lire attentivement et le conserver pour s'y reporter, au besoin.

Un bon livre de cuisine aux micro-ondes est très utile. Il présente les principes, les techniques, des conseils et des recettes de cuisine aux micro-ondes.

Ne JAMAIS se servir du four sans le plateau tournant et le support. Ne pas installer le plateau tournant à l'envers pour faire entrer dans le four un plat de grandes dimensions. Le plateau tourne dans les deux sens.

S'assurer à ce qu'il y ait TOUJOURS des aliments dans le four lorsqu'il est allumé, de sorte qu'ils absorbent l'énergie produite.

Quand on utilise le four à des niveaux de puissance inférieurs à 100 %, on peut entendre la mise en marche et l'arrêt du magnétron. Il est normal que l'extérieur du four soit chaud au toucher pendant la cuisson ou le réchauffement.

La condensation est un phénomène normal pendant la cuisson au four à micro-ondes. L'humidité ambiante et la teneur en eau des aliments déterminent le degré de condensation à l'intérieur du four.

En règle générale, les aliments couverts produisent moins de condensation que les aliments cuits à découvert. Veiller à ce que les événements à l'arrière du four soient toujours dégagés.

Ce four est conçu seulement pour la préparation des aliments. Il ne doit pas être utilisé pour sécher des vêtements ou des journaux.

La puissance de ce four est de 850 watts calculée par la méthode d'essai IEC. Vérifier la cuisson des aliments une minute ou deux avant la fin de la période minimum de cuisson indiquée sur les recettes et les emballages et, s'il y a lieu, augmenter le temps de cuisson.

À PROPOS DES ENFANTS ET DU FOUR À MICRO-ONDES

Les enfants de moins de 7 ans ne devraient utiliser le four à micro-ondes que sous la surveillance étroite d'un adulte. Les enfants de 7 à 12 ans devraient utiliser l'appareil sous la surveillance d'un adulte se trouvant dans la même pièce qu'eux.

L'enfant doit être capable d'atteindre facilement le four; sinon, le faire monter sur un tabouret robuste et stable.

Il ne faut jamais s'appuyer ou s'accrocher à la porte du four à micro-ondes. Il faut enseigner les mesures de sécurité aux enfants : employer des gants isolants, enlever les couvercles avec précaution, faire très attention aux contenants d'aliments croustillants qui peuvent devenir très chauds.

Ne pas présumer qu'un enfant qui connaît bien une fonction de l'appareil le connaît toutes.

Les enfants doivent savoir qu'un four à micro-ondes n'est pas un jouet. Voir la page 35 pour obtenir des renseignements sur le verrouillage de sécurité.

PRÉPARATION DE DIVERS ALIMENTS

ALIMENT	A FAIRE	A NE PAS FAIRE
Œufs, saucisses noix, graines, fruits et légumes	<ul style="list-style-type: none"> • Percer les jaunes pour éviter qu'ils n'éclatent pendant la cuisson. • Piquer la pelure des pommes de terre, des pommes, des courges ainsi que les saucisses afin de permettre à la vapeur de s'échapper. 	<ul style="list-style-type: none"> • Cuire les œufs dans leur coquille. • Réchauffer des œufs entiers. • Faire sécher les noix ou les graines dans leur écaille.
Maïs soufflé (Voir page 24 pour des directives de cuisson spécifiques)	<ul style="list-style-type: none"> • Utiliser seulement du maïs soufflé pour micro-ondes. • Attendre que seuls quelques grains isolés éclatent toutes les 1 ou 2 secondes, ou appuyer sur la touche Popcorn. 	<ul style="list-style-type: none"> • Faire éclater des grains de maïs dans des sacs de papier brun ou dans un bol de verre. • Dépassez le temps indiqué sur l'emballage.
Aliments pour bébés	<ul style="list-style-type: none"> • Transférer la nourriture dans de petits plats et faire réchauffer doucement, en remuant souvent. Vérifier la température des aliments avant de servir. • Mettre la tétine sur le biberon après l'avoir réchauffé et bien brassé celui-ci ce dernier faire le «test du poignet» avant de donner le biberon à bébé. 	<ul style="list-style-type: none"> • Faire chauffer les aliments commerciaux pour bébés dans leurs pots. • Faire chauffer des biberons jetables. • Faire chauffer les biberons avec la tétine.
Généralités	<ul style="list-style-type: none"> • Après avoir réchauffé des aliments contenant une garniture, les couper afin de laisser s'échapper la vapeur et d'éviter des brûlures. • Bien mélanger les liquides avant et après la cuisson pour que la chaleur soit uniforme. • Faire cuire les aliments liquides et les céréales dans un bol profond afin d'éviter qu'ils ne débordent. 	<ul style="list-style-type: none"> • Réchauffer ou faire cuire des aliments dans des contenants hermétiques ou fermés en verre. • Préparer des conserves au four à micro-ondes, car des bactéries dangereuses pourraient ne pas être tuées. • Utiliser le four à micro-ondes pour faire de la friture. • Faire sécher du bois, des courges, des herbes ou du papier.

USTENSILES ET COUVERCLES

Il n'est pas nécessaire d'acheter une nouvelle batterie de cuisine. Beaucoup de vos récipients peuvent très bien servir à la cuisson dans votre nouveau four micro-ondes à convection. Le tableau ci-dessous vous aidera à choisir les ustensiles et couvercles convenant le mieux à chaque mode de cuisson.

USTENSILES ET COUVERCLES	MICRO-ONDES SEULEMENT	GRILLADE PAR CONVECTION, CUISSON LENTE	MODE COMBINÉ HAUTE TEMP./ RÔTIR MODE COMBINÉ BASSE TEMP./CUISSON AU FOUR
Feuille d'aluminium	OUI. Des petites feuilles d'aluminium lisses peuvent être placées sur une préparation pour protéger ses surfaces contre une cuisson ou une décongélation trop rapide. Maintenir les feuilles à au moins un pouce d'écart des parois du four.	OUI. Comme protection.	OUI. Comme protection.
Récipients en aluminium	OUI. À condition de ne remplir qu'aux $\frac{3}{4}$. Maintenir à 2,5 cm (1 po) des parois du four et ne pas recouvrir de feuille d'aluminium.	OUI. Griller sans couvercle.	OUI. À condition de ne remplir qu'aux $\frac{3}{4}$. Maintenir à 2,5 cm (1 po) des parois du four et ne pas recouvrir de feuille d'aluminium.
Plat à gratin	OUI. Ne pas dépasser la durée de préchauffage recommandée. Suivre le mode d'emploi du fabricant.	NON	NON
Vitro-céramique (Pyroceram®)	OUI. Excellent.	OUI. Excellent.	OUI. Excellent.
Verre calorifuge	OUI. Excellent.	OUI. Excellent.	OUI. Excellent.
Verre non-calorifuge	NON	NON	NON
Couvercles en verre	OUI	OUI. Griller sans couvercle.	OUI

USTENSILES ET COUVERCLES	MICRO-ONDES SEULEMENT	GRILLADE PAR CONVECTION, CUISSON LENTE	MODE COMBINÉ HAUTE TEMP./ RÔTIR MODE COMBINÉ BASSE TEMP./CUISSON AU FOUR
Couvercles en métal	NON	OUI. Griller sans couvercle.	NON
Casseroles en métal	NON	OUI	OUI. Ne pas employer de couvercles métalliques.
Métaux divers : plats à rebords métalliques, etc. Ligatures métalliques	NON	NON	NON
Poches de cuisson au four	OUI. Conviennent aux grosses pièces de viande ou aux préparations à attendrir. NE PAS utiliser de ligatures métalliques.	OUI. Grillades, ne pas couvrir.	OUI. NE PAS utiliser de ligatures métalliques.
Assiettes en carton	OUI. Pour réchauffer.	NON	NON
Serviettes en papier	OUI. Comme couvercles au réchauffage et à la cuisson. Ne pas employer de produits recyclés pouvant contenir des fibres métalliques.	NON	NON
Papier allant au four	OUI	OUI. Pour températures jusqu'à 400° F (200° C). Ne pas employer pour griller.	OUI. Pour températures jusqu'à 400° F (200° C).
Récipients en plastique bons pour micro-ondes	OUI. Pour réchauffer et décongeler. Suivre le mode d'emploi du fabricant.	NON	NON

USTENSILES ET COUVERCLES	MICRO-ONDES SEULEMENT	GRILLADE PAR CONVECTION, CUISSON LENTE	MODE COMBINÉ HAUTE TEMP./ RÔTIR MODE COMBINÉ BASSE TEMP./CUISSON AU FOUR
Plastique, Thermoset®	OUI	OUI. Résiste à la chaleur jusqu'à 425° F (218° C). Ne pas employer pour griller.	OUI
Film plastique	OUI. Choisir des marques spécialement indiquées pour micro-ondes. NE PAS placer le film en contact avec les aliments. Percer pour laisser s'échapper la vapeur.	NON	NON
Céramiques, grès, porcelaine	OUI. Voir les recommandations du fabricant pour usage micro-ondes.	OUI	OUI. Doivent être bons pour micro-ondes et cuisson au four.
Polystyrène	OUI. Pour réchauffer.	NON	NON
Papier ciré	OUI. Recommandé comme couvercle à la cuisson et au réchauffage.	NON	NON
Osier, bois, paille	OUI. Convient aux cuissons très courtes. Ne pas employer avec des plats très gras ou très sucrés. Risque de se calciner.	NON	NON

VÉRIFICATION DE RÉCIPIENTS Pour vérifier qu'un récipient est bon pour le four à micro-ondes, le placer vide dans le four et régler sur HIGH pendant 30 secondes. Si le plat chauffe à l'extrême, NE PAS l'utiliser pour la cuisson aux micro-ondes.

ACCESSOIRES : De nombreux accessoires micro-ondes sont proposés sur le marché. Évaluer vos achats pour qu'ils correspondent à vos besoins. Un thermomètre adapté aux micro-ondes vous aidera à déterminer le degré voulu de cuisson aux micro-ondes seulement et garantira que les aliments ont été cuits aux températures de sécurité recommandées. Viking n'est pas responsable de dommages causés au four par l'introduction d'accessoires.

À PROPOS DE LA CUISSON AUX MICRO-ONDES

- Disposer les aliments avec soin. Placer la partie la plus épaisse des aliments vers l'extérieur du plat.
- Vérifier le temps de cuisson. Cuire les aliments pendant la plus courte période indiquée et prolonger la cuisson au besoin. Des aliments trop cuits peuvent dégager de la fumée ou prendre feu.
- Recouvrir les aliments pendant la cuisson. Selon la recette ou le livre de cuisine, utiliser un essuie-tout, du papier ciré, un film plastique allant au micro-ondes ou un couvercle. Couvrir les aliments empêche les éclaboussures et leur permet de cuire de manière uniforme.
- Protéger les parties de viande ou de volaille très minces par des petits écrans en papier d'aluminium pour éviter qu'ils ne cuisent trop vite par rapport aux parties plus épaisses.
- Si possible, remuer les aliments de l'extérieur du plat vers le centre une ou deux fois pendant la cuisson.
- Retourner les aliments comme le poulet et les galettes de viande une fois au cours de la cuisson afin d'accélérer le processus. Il faut retourner les grosses pièces comme les rôtis au moins une fois.
- Au milieu de la cuisson, déplacer les aliments comme les boulettes de viande, de l'intérieur du plat vers l'extérieur, et du haut vers le bas.
- Prévoir du temps de repos. Retirer les aliments du four et, si possible, les remuer. Couvrir les aliments pendant ce temps pour leur permettre de finir de cuire.
- Vérifier la cuisson. Rechercher les signes qui indiquent que les aliments sont cuits à point.

Par exemple :

- La vapeur s'élève de toute la surface des aliments, pas seulement des bords.
- Le fond du plat est très chaud au toucher.
- Les cuisses de poulet se détachent facilement.
- La viande et la volaille ne présentent plus de parties rosées.
- Le poisson est opaque et se défait facilement à la fourchette.

À PROPOS DE LA SÉCURITÉ

- On recommande les températures de cuisson suivantes.

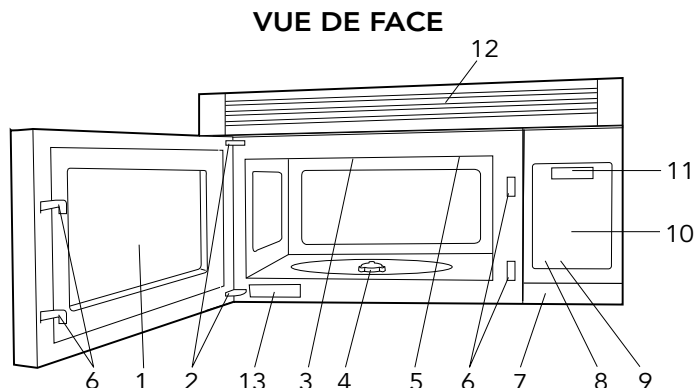
Pour vérifier si les aliments sont cuits à point, insérer un thermomètre à viande dans un endroit épais, à l'écart de la graisse et des os. Ne JAMAIS laisser le thermomètre dans les aliments qui cuisent, sauf s'il est approuvé pour emploi aux micro-ondes.

TEMP	ALIMENTS
160° F (71° C)	Pour le porc, la viande hachée, le blanc de poulet sans os, le poisson, les fruits de mer, les œufs frais et les aliments préparés surgelés.
165° F (74° C)	Pour les restes de table, les aliments réfrigérés prêts-à-réchauffer, et les aliments frais d'un traiteur ou l'équivalent.
170° F (77° C)	Les blancs de volaille.
180° F (82° C)	La viande brune de volaille.

- TOUJOURS utiliser des gants isolants pour éviter des brûlures lorsque l'on se sert d'ustensiles en contact avec des aliments chauds. La chaleur transférée des aliments aux ustensiles peut provoquer des brûlures.
- Diriger la vapeur loin du visage et des mains afin d'éviter des brûlures. Soulever doucement la partie la plus éloignée des couvercles et des pellicules et ouvrir lentement les sacs de maïs soufflé ou de cuisson en les tenant loin du visage.
- Rester près du four quand il fonctionne et vérifier fréquemment la cuisson afin d'éviter de trop cuire les aliments.
- Ne JAMAIS entreposer des livres de cuisine ou autres objets dans la cavité du four.
- Choisir, entreposer et manipuler la nourriture de manière à préserver sa qualité et à minimiser la prolifération de bactéries alimentaires.
- Garder le couvercle du guide d'ondes propre. Les résidus d'aliments peuvent causer des étincelles ou s'enflammer.
- Retirer les aliments du four en prenant soin de ne pas toucher le système de fermeture de sûreté de la porte avec des ustensiles, ses vêtements ou les accessoires.

NOMENCLATURE

PIÈCES DU FOUR À MICRO-ONDES

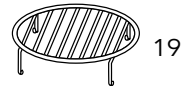
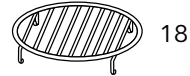
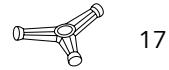
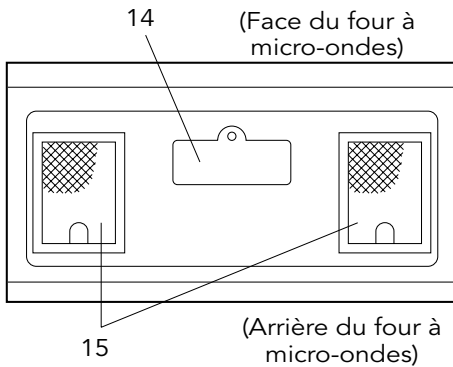


1. Porte à hublot
2. Charnières
3. Couvercle du guide d'ondes
NE PAS ENLEVER
4. Arbre moteur du plateau tournant
5. Ampoule du four.
S'allume lorsque le four est en marche ou que la porte est ouverte.
6. Loquets de sécurité. Le four ne fonctionne pas si la porte n'est pas correctement fermée.
7. Bouton d'ouverture de la porte DOOR OPEN. Pousser une fois pour ouvrir la porte.
8. Bouton Fan Hi / Lo. Pousser pour activer le ventilateur en position rapide, lente ou arrêté.
9. Bouton Light. Pousser pour allumer ou éteindre l'ampoule.
10. Panneau tactile de commande Auto-Touch.
11. Affichage de minuterie : affichage numérique, 99 minutes, 99 secondes.
12. Ouvertures de ventilation.
13. Plaque de série

SYSTÈME DE CUISINE INTERACTIVE

Le Système de cuisine interactive affiche des instructions pas-à-pas pour chaque étape d'utilisation du four, depuis le réglage de la minuterie jusqu'à la programmation de chaque fonction. Le système comprend également une aide personnalisée donnant les modes d'emploi du verrouillage de sécurité, suppression de signal sonore, démarrage automatique et aide. Le système est disponible en anglais, espagnol ou français, et propose un choix entre les systèmes de poids et mesures U.S. Customary Unit-pound ou décimal/métrique. Appuyer sur Help et suivre les instructions affichées, ou consulter la page 35-36.

VUE DU DESSOUS



14. Couvercle de l'éclairage.
15. Filtres à graisses.
16. Plateau tournant en céramique, amovible. Le plateau tourne dans le sens horaire ou antihoraire. Ne retirer que pour nettoyer.
17. Support du plateau tournant. Placer le support au fond du four et le plateau tournant sur le support.
18. Grille inférieure, amovible, pour griller ou rôtir des viandes et volailles au four.
19. Grille supérieure, amovible, pour cuisson superposée.

ACCESSOIRES

Les accessoires qui suivent sont conçus spécialement pour une utilisation dans le four uniquement en cuisson par convection, combinaison ou gril. **NE PAS LES UTILISER EN CUISSON MICRO-ONDES UNIQUEMENT.** Ne pas remplacer ces supports conçus spécialement par d'autres produits de remplacement similaires.

Support de cuisson supérieur, pour convection et combinaison basse.

- Ce support est placé sur la plaque tournante pour des cuissons à deux niveaux, comme les gâteaux à étages, les muffins, etc.

Trépied support de cuisson inférieur pour convection, four et combinaison haute.

- Ce trépied est placé sur le plateau tournant et sert à rôtir ou cuire en laissant les jus s'écouler des aliments.

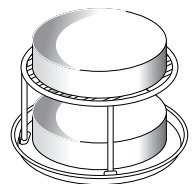
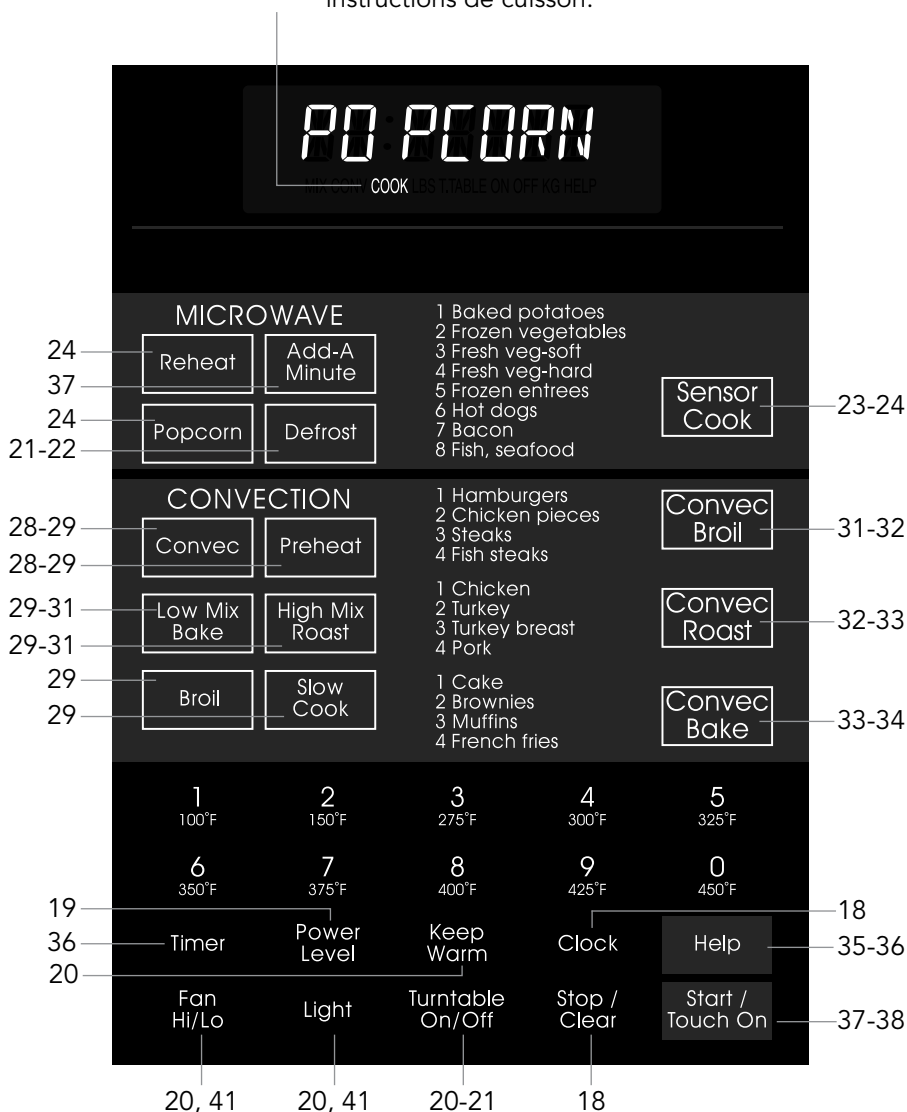


TABLEAU DE COMMANDE

Affichage du panneau de contrôle. Des mots apparaîtront dans l'affichage pour indiquer les caractéristiques et les instructions de cuisson.



Les chiffres en marge de l'illustration du tableau de commande renvoient aux pages où sont décrits les caractéristiques et les renseignements concernant le mode d'emploi.

AVANT L'USAGE

- Avant d'utiliser ce four, prendre la peine de lire intégralement ce mode d'emploi.
- Avant d'utiliser le four, procéder ainsi :
 1. Brancher la fiche du cordon d'alimentation. Fermer la porte. La phrase WELCOME s'affiche.
 2. Appuyer sur la touche Stop/Clear. L'indication : s'affiche.
 3. Régler l'horloge.

RÉGLAGE DE L'HORLOGE

1. Appuyer sur la touche Clock.
2. Entrer l'heure correcte de la journée en appuyant sur les touches numériques. Appuyer à nouveau sur la touche Clock.

Cette horloge est conçue selon un cycle de 12 heures. En cas d'entrée d'une heure non valable, l'indication ERROR s'affiche. Appuyer sur la touche Stop/Clear et entrer l'heure correcte.

- Si l'alimentation électrique du four à micro-ondes est coupée, l'indication WELCOME s'affiche et clignote dès que l'alimentation est rétablie. Si cela se produit durant la cuisson, le programme de cuisson et l'heure de la journée seront effacés. Appuyer sur la touche Stop/Clear et remettre l'horloge à l'heure.

Remarque : Le four peut se programmer avec la porte ouverte, à l'exception des fonctions Start/Touch On, Add-A-Minute, Reheat et Popcorn.

ARRÊT/ANNULATION

Appuyer sur la touche Stop/Clear pour :

1. Effacer une erreur durant la programmation.
2. Annuler le fonctionnement de la minuterie.
3. Arrêter le four temporairement durant la cuisson.
4. Afficher l'heure.
5. Annuler un programme durant la cuisson (appuyer deux fois).

FONCTIONNEMENT MANUEL DU FOUR À MICRO-ONDES

CUISSON PAR MICRO-ONDES

Le four peut être programmé pour 99 minutes 99 secondes (99.99). Indiquer les secondes après les minutes même si le nombre de secondes est égal à zéro.

- Supposons que l'on veuille cuire pendant 5 minutes à 100 %.

1. Entrer la durée de cuisson en composant **5 0 0** à l'aide des touches numériques.

2. Appuyer sur la touche Start/Touch On.

RÉGLAGE DU NIVEAU DE PUISSANCE

Onze niveaux de puissance sont prévus. Plus le niveau de puissance est faible, plus le temps de cuisson est long, ce qui est conseillé pour les aliments tels que le fromage, le lait ou les viandes qui exigent une cuisson lente. Consulter un livre de cuisine ou de recettes pour chaque cas particulier.

APPUYER UNE FOIS SUR POWER LEVEL PUIS APPUYER SUR	POURCENTAGE APPROXIMATIF DE LA PUISSANCE	AUX INDICATIONS DES NIVEAUX DE PUISSANCE
Power Level	100%	High (élevé)
9	90%	
8	80%	
7	70%	Medium High (mi-élevé)
6	60%	
5	50%	Medium (moyen)
4	40%	
3	30%	Med Low/Defrost (moyen-bas/décongélation)
2	20%	
1	10%	Low (bas)
0	0%	

- Supposons que l'on veuille décongeler des aliments pendant 5 minutes à 30 %.

1. Entrer la durée de décongélation en composant **5 0 0** à l'aide des touches numériques.

2. Appuyer sur la touche Power Level et entrer le chiffre **3**.

3. Appuyer sur la touche Start/Touch On.

MAINTIEN AU CHAUD

Keep Warm (maintien au chaud) se programme uniquement en opération manuelle ou en tant que programme séparé.

- Pour faire rôtir une pomme de terre pendant 4 minutes à 100 % de puissance et la tenir au chaud pendant 30 minutes après la cuisson :
1. Appuyer sur les touches pour entrer la durée de cuisson pour une pomme de terre rôtie. Par exemple : **4 0 0**.
 2. Appuyer sur la touche Keep Warm.
 3. Appuyer sur la touche Start/Touch On.

A la fin du temps de cuisson, Keep Warm s'affiche pour indiquer que la préparation reste au chaud pendant les 30 minutes.

Pour employer Keep Warm comme programme séparé, appuyer sur la touche Keep Warm pendant la première minute après le début de cuisson, la fermeture de la porte, ou après avoir appuyer Stop/Clear.

LAMPE/VENTILATEUR DE HOTTE

Le four comporte une lampe et un ventilateur de hotte qui fonctionnent que la porte soit ouverte ou fermée.

Pour activer la lampe, appuyer une fois sur Light. Pour l'éteindre, appuyer sur Light à nouveau.

Pour activer le ventilateur, appuyer sur Fan Hi/Lo une fois pour la plus haute vitesse, deux fois pour une vitesse plus lente ou trois fois pour l'arrêter.

MARCHE/ARRÊT DU PLATEAU TOURNANT

Le plateau tournant est activé pour la plupart des préparations ; il peut cependant être désactivé lorsqu'il reçoit de grands plats tels que le plat en verre fréquemment utilisé de 13 po x 9 po x 2 po (33 cm x 23 cm x 5 cm). Placer cet ustensile bien à plat sur le plateau tournant.

- Pour cuire une lasagne dans un plat de 13 po x 9 po x 2 po (33 cm x 23 cm x 5 cm) pendant 45 minutes à 40 % de puissance :
1. Appuyer sur Turntable On/Off et notez **TURNTABLE OFF** à l'affichage.
 2. Entrer la durée de cuisson en composant **4 5 0 0** à l'aide des touches numériques.
 3. Appuyer sur Power Level et sur **4** pour 40% de puissance.
 4. Appuyer sur Start/Touch On.

Remarque : Ouvrir la porte pour surveiller la cuisson : le plateau tournant restera en arrêt. Après avoir examiné la préparation, refermez la porte et appuyer sur Start/Touch On.

Le plateau tournant reste en arrêt pendant une minute après l'ouverture de la porte lorsque l'heure s'affiche. Le four peut être reprogrammé pendant cette minute sans appuyer sur Turntable On/Off. L'affichage indique toujours si le plateau tournant est en marche ou en arrêt.

LE PLATEAU TOURNANT DOIT TOUJOURS ÊTRE EN POSITION DE MARCHÉ LORSQUE LES FONCTIONS SPÉCIALES SONT ACTIVÉES. La fonction Marche/ Arrêt peut s'utiliser en modes de cuisson manuelle et Reheat (réchauffage). Le plateau tournant passe automatiquement à l'état de marche lorsque vous choisissez le mode de cuisson automatique, sauf pour Reheat et Convec Bake (cuisson par convection).

Pour la cuisson de grandes quantités de nourriture ne pouvant être remuées, un niveau de 40 ou 50 % de puissance est conseillé. La cuisson peut alors être accélérée en programmant 5 ou 10 minutes à un niveau de 100 % (HIGH) suivi du temps voulu à puissance inférieure. Voir la page 36 pour la programmation de séquences multiples. Si vous souhaitez changer une fois la position d'un grand récipient à mi-cuisson, ouvrir la porte, ajuster la position, refermer et appuyer sur Start/Touch On.

PARTICULARITÉS DU FOUR À MICRO-ONDES

DEFROST (DÉCONGÉLATION)

Le mode « Defrost » décongèle automatiquement la viande hachée, les steaks et les morceaux de poulet.

- Supposition : décongeler une tranche de viande de 2 livres (900 g).
- 1. Appuyer une fois sur la touche Defrost.
- 2. Sélectionner le type d'aliment voulu en appuyant sur la touche Defrost jusqu'à ce que le nom de l'aliment apparaisse. Ici appuyer 2 fois pour "steak".
- 3. Entrer le poids en composant **2 0** à l'aide des touches numériques.
- 4. Appuyer sur Start/Touch On.
Le four va s'arrêter et des instructions seront affichées. Suivre le message indiqué.
- 5. Après la première étape, ouvrir la porte. Retourner la tranche et protéger toutes les parties chaudes. Refermer la porte. Appuyer sur Start/Touch On.
- 6. Après la seconde étape, ouvrir la porte. Protéger toutes les parties chaudes. Refermer la porte. Appuyer sur Start/Touch On.
- 7. Après la fin du cycle de décongélation, couvrir et laisser reposer comme indiqué sur le tableau. Voir en page 22.

Remarque :

1. Le poids peut être entré en incréments de 0,1 livre (45,3 g). Si vous tentez d'entrer plus ou moins que la quantité permise, ERREUR POIDS TROP PETIT ou TROP ELEVE apparaissent à l'affichage.
2. La décongélation peut être programmée avec un réglage de durée en plus ou en moins. Voir en page 37.
3. Pour décongeler d'autres aliments ou ces aliments à des poids inférieurs ou supérieurs à ceux indiqués au tableau de décongélation, voir en page 22-23 la Décongélation manuelle.

TABLEAU DEFROST (DÉCONGÉLATION)

APPUYER SUR DEFROST*	ALIMENT	QUANTITÉ	MARCHE À SUIVRE
Une fois	Viande hachée	0,5 à 3 livres (0,3 à 1,3 kg)	Enlevez les morceaux décongelés après chaque étape. Laisser reposer à couvert pour 5 à 10 minutes.
Deux fois	Bifteck (côtelettes) (poisson)	0,5 à 4 livres (0,3 à 1,8 kg)	Après chaque étape de cycle de décongélation, réarrangez et protéger avec des petits morceaux lisses de feuille d'aluminium. Enlevez toute viande ou poisson presque décongelé. Laisser reposer couvert pour 10 à 20 minutes.
Trois fois	Poulet découpé	0,5 à 3 livres (0,3 à 1,3 kg)	Après chaque étape de cycle de décongélation, réarrangez ou enlevez toutes pièces chaudes ou décongelées. Laisser reposer couvert pour 10 à 20 minutes.

* Nombre de pressions APRÈS la pression initiale pour accéder Defrost.

Remarque : Vérifier les aliments dès que le four émet un signal. Après l'étape finale, quelques petites parties restent quelquefois glacées. Laisser reposer pour terminer la décongélation. Ne pas décongeler avant que tous les cristaux de glace se soient dégivrés.

Couvrir ou protéger afin d'empêcher toute cuisson avant la décongélation au coeur de l'aliment. Appliquer des bandelettes lisses de feuille d'aluminium pour recouvrir les bords et les sections minces de l'aliment.

DÉCONGÉLATION MANUELLE

Si les aliments que vous voulez décongeler ne sont pas listés dans les tableaux de décongélation, ou sont en quantité inférieure ou supérieure aux limites du tableau de décongélation, vous devrez décongeler manuellement.

Vous pouvez décongeler n'importe quel aliment congelé, cru ou précuit, en utilisant la puissance au niveau 3. Suivre exactement la procédure en 3 étapes donnée avec le Temps de cuisson en page 19. Estimer le temps de décongélation et appuyer sur **3** pour la sélection du niveau de puissance.

Pour les aliments crus ou cuits, compter en moyenne 5 minutes par livre. Par exemple, choisir 5 minutes pour décongeler une livre de sauce à spaghetti.

Arrêter le four périodiquement pour retirer ou séparer les portions déjà décongelées. Si les aliments ne sont pas entièrement décongelés à l'expiration du temps précisé, utiliser le niveau de puissance 3 pendant des périodes de une minute pour obtenir la décongélation complète.

Si les aliments congelés sont dans un récipient en matière plastique, ne les décongeler que pendant le temps nécessaire pour les retirer du récipient, puis les déposer dans un plat convenant aux micro-ondes.

SENSOR COOKING (CUISSON AU CAPTEUR)

Le capteur est un dispositif à semi-conducteur qui décèle la vapeur (humidité) émise par les aliments qui sont chauffés. Le capteur ajuste les temps de cuisson et le niveau de puissance convenant aux divers aliments et quantités afin que la cuisine micro-ondes ne se fasse pas à l'aveuglette.

UTILISATION DES RÉGLAGES DU CAPTEUR :

1. La température ambiante ne doit pas dépasser 95° F (35° C).
2. S'assurer que l'extérieur du récipient de cuisson et l'intérieur du four sont bien secs. Essuyer toute trace d'humidité avec un linge sec ou du papier essuie-tout.
3. Durant la première partie de la cuisson au capteur, le nom de l'aliment apparaîtra à l'affichage. Ne pas ouvrir la porte et ne pas appuyer sur Stop/Clear durant cette partie du cycle de cuisson. La mesure du taux de vapeur en serait interrompue. Si cela arrivait, un message d'erreur s'afficherait. Pour poursuivre la cuisson, appuyer sur la touche Stop/Clear et sélectionner le temps de cuisson et la variable de puissance. Quand le capteur calibre la vapeur émise par l'aliment, la durée restante pour la cuisson de l'aliment apparaît. La porte peut être ouverte durant ce laps de temps, on peut alors remuer ou assaisonner les aliments au besoin.
4. Vérifier la température des aliments en fin de cuisson. Si du temps additionnel est nécessaire continuer la cuisson avec puissance et durée variables.
5. Si le capteur ne détecte pas de vapeurs, ERREUR sera affiché, et le four s'arrêtera.
6. Chaque aliment présente un temps conseillé. Pour plus d'information, presser sur Help quand le témoin est allumé.
7. À la conclusion de tout cycle, ouvrir la porte ou appuyer sur Stop/Clear. L'heure actuelle revient à l'affichage.

SÉLECTION DES ALIMENTS :

1. Le capteur fonctionne avec les aliments à température normale de conservation. Par exemple, les plats à réchauffer seront à la température du réfrigérateur, et les pommes de terre à rôtir seraient à température ambiante.
2. Les quantités supérieures ou inférieures aux valeurs citées dans les tableaux cuisent pendant des durées et à des niveaux de puissance variables.

COUVRIR LES ALIMENTS :

Certaines préparations réussissent mieux sous couvercle. Utiliser le mode de couverture recommandé dans les tableaux citant ces aliments.

1. Couvercle de cocotte.
2. **Film plastique** : utiliser les produits recommandés pour la cuisine micro-ondes. Couvrir légèrement, en laissant environ 12 mm (1/2 po) à découvert pour permettre aux vapeurs de s'échapper. Le film plastique ne doit pas être en contact avec les aliments.

3. **Serviettes en papier** : Utiliser pour absorber l'excédent de graisse et d'humidité du bacon et des pommes de terre. Recouvrir le plateau tournant pour faire rôtir les pommes de terre.
4. **Papier ciré** : Recouvrir le récipient complètement ; replier le papier sous le plat de cuisson pour le maintenir en place. Si le papier est plus étroit que le récipient, utiliser deux couches se chevauchant d'au moins 2,5 cm (1 po).

Faire attention en enlevant tout couvercle à ce que la vapeur puisse s'échapper et ne partant pas vers soi.

REHEAT (RÉCHAUFFAGE)

PLATEAU TOURNANT EN MARCHÉ :

De nombreux plats peuvent se réchauffer en touchant une seule commande, sans avoir à recalculer la durée ou la puissance nécessaire. Pour réchauffer lorsque le plateau tournant est en marche, touchez simplement Reheat.

- Supposition : du chili préparé doit être réchauffé.

Appuyer sur Reheat.

Lorsque le capteur perçoit les vapeurs émises par l'aliment, le temps de cuisson restant s'affiche.

PLATEAU TOURNANT À L'ARRÊT :

Vous pouvez réchauffer un plat dans une cocotte de 11 po x 8 po x 2 po (28 cm x 20 cm x 5 cm) ou 13 po x 9 po x 2 po (33 cm x 23 cm x 5 cm) avec le plateau tournant à l'arrêt. Appuyer d'abord sur **TURNTABLE ON/OFF** et noter l'indication affichée. Appuyer ensuite sur Reheat. L'affichage indique que le plateau tournant est à l'arrêt, et le four démarre automatiquement. Après la cuisson, suivre les instructions affichées.

POPCORN

- Supposition : un sac de maïs à popcorn de 3,5 onces (environ 100 g) doit être soufflé.

Appuyer sur Popcorn.

Ce réglage de capteur convient à la plupart des marques de popcorn à cuire aux micro-ondes. Faire quelques essais pour choisir votre marque préférée. Préparer un seul sac à la fois. Déplier le sac et préparer selon le mode d'emploi fourni.

TABLEAU SENSOR (CAPTEUR)

ALIMENT	QUANTITÉ	MARCHE À SUIVRE
Restes de riz, pommes de terre, légumes, plats préparés ou autres	4 à 32 onces	Placer dans un récipient ou cocotte légèrement plus grand que la quantité à réchauffer. Aplatir le contenu si possible. Couvrir d'un couvercle, film plastique ou papier ciré. Couvrir de film plastique ou couvercle pour les quantités importantes ou les aliments à consistance épaisse tels que les ragoûts.
Soupes	1 à 4 tasses	Remuer si possible le plat réchauffé, qui doit être très chaud. Sinon, continuer à réchauffer à puissance et durée variables. Une fois remué, couvrir le plat et laisser reposer 2 ou 3 minutes.
Plats principaux et légumes en conserve	4 à 36 onces	Ajuster pour moins de temps en appuyant sur Power Level deux fois pour de petites quantités de légumes en conserve.
Assiette assortie 1 assiette	3 à 6 onces de viande plus légumes et/ou pommes de terre/riz°	Utiliser cette touche pour réchauffer des plats déjà cuits sortis du réfrigérateur. Placer les portions de viande et les gros morceaux de légumes à l'écart du centre de l'assiette. Découper les gros morceaux tels que les pommes de terre. Aplatir les aliments tels que la purée et autres préparations à consistance épaisse. Couvrir de papier ciré ou de film plastique. UNE ASSIETTE SEULEMENT. Après la cuisson, vérifier que les préparations sont très chaudes de part en part et que le dessous du centre de l'assiette est très chaud. Sinon, continuer à réchauffer par durée et niveau de puissance. Laisser reposer recouvert pendant 2 ou 3 minutes.
Popcorn	Un seul sac à la fois	N'utiliser que du popcorn conditionné pour cuisson micro-ondes. Faire quelques essais pour choisir votre marque préférée. N'essayez pas de faire éclater les grains restés entiers. Régler la durée si nécessaire, pour accommoder les grains plus mûrs ou les préférences de chacun.
	Sac de 3,0-3,5 onces (taille courante)	Appuyez une fois sur la commande Popcorn. Ce réglage fonctionne bien pour les sacs de cette taille.
	1.5 - 1.75 oz bag (Snack size)	Touch Popcorn pad twice for snack size bags.

TABLEAU SENSOR (CAPTEUR - suite)

ALIMENT	QUANTITÉ	MARCHE À SUIVRE
Popcorn	Sac de 3 à 3,5 onces (Capacité ordinaire)	Appuyer une fois sur la commande Popcorn. Ce réglage fonctionne bien pour les sacs de cette taille.
	Sac de 1,5 à 1,75 onces (Capacité snack)	Appuyer deux fois sur la touche Popcorn pour les sacs de collation

SENSOR COOK (CUISSON AU CAPTEUR)

- Pour faire rôtir une pomme de terre :

1. Appuyer sur Sensor Cook (cuisson au capteur).
2. Sélectionner le paramétrage voulu du capteur. Par exemple appuyer sur **1** pour cuire des pommes de terre au four.
3. Appuyer sur Start/Touch On. Quand le capteur détecte la vapeur émise par l'aliment à cuire, la durée restante de cuisson apparaît.

Ouvrir la porte et appuyer sur Stop/Clear. L'heure actuelle apparaît à l'affichage.

TABLEAU SENSOR COOK (CUISSON AU CAPTEUR)

ALIMENT	QUANTITÉ	MARCHE À SUIVRE
1. Pommes de terre rôties	1 à 6 moyennes	Percer. Placer sur le plateau tournant recouvert de serviette en papier. Après la cuisson, retirer du four, envelopper de feuille d'aluminium et laisser reposer 5 à 10 minutes.
2. Légumes surgelés	1 à 6 tasses	Mettre sous couvercle ou film plastique. Après la cuisson, remuer et laisser reposer recouvert pendant 3 minutes.
3. Légumes frais, tendres		Laver et placer dans un récipient. Ne pas ajouter d'eau si les légumes viennent d'être lavés. Poser un couvercle pour des légumes tendres, ou du film plastique pour une cuisson plus croquante. Remuer si possible avant de laisser reposer. Après la cuisson, laisser reposer recouvert de
Brocoli	0,25 à 2 livres	2 à 5 minutes.
Choux de Bruxelles	0,25 à 2 livres	
Chou	0,25 à 2 livres	
Chou-fleur (en bouquets)	0,25 à 2 livres	
Chou-fleur (entier)	1 moyen	
Épinards	0,25 à 1 livres	
Zucchini	0,25 à 2 livres	
Pommes cuites	2 à 4 moyennes	

TABLEAU SENSOR COOK (CUISSON AU CAPTEUR - suite)

ALIMENT	QUANTITÉ	MARCHE À SUIVRE
4. Légumes frais, croquants Carottes en tranches Maïs en épi Haricots verts Courges, en dés Coupées en moitié	0,25 à 1,5 livres 2 à 4 pièces 0,25 à 1,5 livres 0,25 à 1,5 livres 1 à 2	Placer dans une casserole. Ajouter 1 à 4 cuillères à soupe d'eau. Poser un couvercle sur les légumes à cuisson tendre, ou du film plastique pour une cuisson plus croquante. Remuer si possible avant de laisser reposer. Après cuisson, laisser reposer recouvert de 2 à 5 minutes.
5. Plats principaux surgelés	6 à 17 onces	Utiliser pour les légumes surgelés prêts à servir. Les résultats seront bons dans la plupart des cas. Faire quelques essais pour trouver votre marque préférée. Défaire l'emballage extérieur et suivre les indications concernant les couvercles. Après la cuisson, laisser reposer recouvert de 1 à 3 minutes.
6. Hot dogs	1 à 4 portions	Placer la saucisse dans son petit pain et envelopper d'une serviette en papier.
7. Bacon	2 à 6 tranches	Placer le bacon sur une assiette en carton recouverte d'une serviette en papier. Le bacon ne doit pas dépasser hors de l'assiette. Couvrir d'une serviette en papier.
8. Poisson, fruits de mer	0,25 à 2 livres	Disposer en rond sur un plat en verre peu profond (enrouler les filets afin qu'ils reposent sur leurs bords repliés). Recouvrir de film plastique. Après la cuisson, laisser reposer recouverts pendant 3 minutes.

CUISSON PAR CONVECTION/ COMBINAISON AUTOMATIQUE

Cette section du Manuel d'opérations présente des instructions et procédures de cuisson spécifiques. Prière de consulter le livre de cuisine, Viking Convection Microwave Hood Cookbook, pour des conseils utiles concernant la cuisson par convection ou combinée.


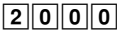
Le four ne doit pas être utilisé sans que le plateau tournant soit installé et la rotation ne doit jamais être entravée. Le plateau tournant peut être retiré pour préchauffer le four et pour préparer des aliments à cuire directement sur le plateau.

Attention : L'enceinte, la chambre, la porte, le plateau tournant, les supports et les plats du four à micro-ondes deviennent chauds. Pour ÉVITER LES BRÛLURES, utiliser des gants épais pour four en enlevant les aliments ou le plateau tournant du four.

CUISSON PAR CONVECTION

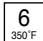
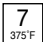
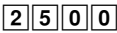
Le chauffage par convection fait circuler l'air chaud dans tout l'espace du four pour que les aliments deviennent rapidement dorés et croustillants de part en part. Ce four peut se programmer à dix températures différentes de cuisson par convection pour un maximum de 99 minutes, 99 secondes.

CUIRE PAR CONVECTION

- Pour une cuisson de 20 minutes à 350° F (176,5° C).
1. Appuyer sur Convec.
 2. Sélectionner la température en appuyant sur la touche .
 3. Entrer la durée de cuisson en entrant  à l'aide des touches numériques.
 4. Appuyer sur Start/Touch On.

PRÉCHAUFFAGE ET CUISSON PAR CONVECTION

Le four peut se programmer pour combiner les fonctions de préchauffage et de cuisson par convection. La convection peut être réglée à la même température que le préchauffage ou à une température plus ou moins élevée.

- Pour un préchauffage à 350° F (176,5° C) suivi d'une cuisson de 25 minutes à 375° F (190° C) par convection :
1. Appuyer sur Preheat.
 2. Sélectionner la température en appuyant sur la touche .
 3. Appuyer sur Convec.
 4. Sélectionner la température en appuyant sur la touche .
 5. Entrer la durée de cuisson en entrant  à l'aide des touches numériques.
 6. Appuyer sur Start/Touch On.

Lorsque le four atteint la température programmée, il retient automatiquement

la température de préchauffage pendant 30 minutes. L'affichage revient ensuite à l'heure actuelle. Lorsque Stop/Clear est pressé pendant cet intervalle de temps, **PRESS COMBEEC** ou **PRESS MIX** apparaissent à l'affichage et le mode de cuisson ainsi que sa durée peuvent être entrés.

Remarque : Pour préchauffer et cuire à la même température, entrez la même valeur aux étapes 2 et 4.

BROIL (GRILLADE)

Le préchauffage est automatique au réglage de grillade. Entrer simplement la durée voulue de grillade et attendre la fin du préchauffage pour introduire les aliments. (Préréglage à 450° F [232° C]). La température du four ne peut pas être modifiée.

- Pour faire griller une tranche de jambon pendant 15 minutes.
1. Appuyer sur Broil.
 2. Entrer la durée de cuisson en entrant **1|5|0|0** l'aide des touches numériques.
 3. Appuyer sur Start/Touch On.

SLOW COOK (CUISSON LENTE)

Le mode Slow Cook est préréglé à 300° F (149° C) pendant 4 heures. La température peut être modifiée pour être inférieure. La durée de cuisson ne peut pas être changée. Ce mode est utilisé pour des aliments comme haricots au four ou tranche de viande ferme marinée.

- Supposition : abaissement de la température de 300° F (149° C) à 275° F (135° C).
1. Appuyer sur Slow Cook.
 2. Appuyer de nouveau sur Slow Cook si la température de consigne 300° F (149° C) doit être changée.
 3. Appuyer sur la touche de température **3**_{275 F}.
 4. Appuyer sur Start/Touch On.

Remarque : Si la température ne doit pas être changée, omettre les étapes 2 et 3.

CUISSON AVEC COMBINAISON AUTOMATIQUE

Ce four a deux réglages préprogrammés qui permettent automatiquement une cuisson facile à la fois avec la chaleur en convection et les micro-ondes.

	Température de four	Puissance micro-ondes
High Mix/Roast (Combinaison haute/rôtissage)	325° F (163° C)	30 %
Low Mix/Bake (Combinaison basse/cuisson)	325° F (163° C)	10 %

À l'exception des aliments qui se cuisent mieux avec simplement la chaleur par convection, la plupart des aliments bénéficient d'une cuisson hybride à combinaison faible ou forte d'appoint micro-ondes.

Le mariage de ces deux méthodes de cuisson donne des viandes juteuses, humides et tendres, et des pains à texture fine, avec juste la bonne dose de doré et de croustillant.

Les températures peuvent être modifiées, mais pas la puissance des micro-ondes.

La température du four peut être fixée de 100-450° F (38 à 232° C). Il faut pour cela appuyer sur High Mix ou Low Mix puis appuyer de nouveau sur la même touche. Quand l'affichage montre SELECT TEMP, (choisir la température) appuyer sur la température voulue. Par exemple : High Mix, High Mix, **7**. La température changera automatiquement à 375° F (190° C).

POUR CUIRE AVEC COMBINAISON AUTOMATIQUE

- Supposition : cuisson au four de 25 minutes en combinaison faible.
1. Appuyer sur Low Mix/Bake.
 2. Entrer la durée de cuisson en entrant **2500** à l'aide des touches numériques.
 3. Appuyer sur Start/Touch On.

POUR PRÉCHAUFFER ET CUIRE AVEC COMBINAISON AUTOMATIQUE

Votre four peut être programmé pour combiner les opérations successives de préchauffage et de cuisson à combinaison automatique. On peut préchauffer à la même température que la valeur prédéterminée pour la combinaison ou.

- Supposons que vous vouliez préchauffer à 350° F (176,5° C) et cuire ensuite pendant 25 minutes à 325° F (162,5° C) avec la combinaison basse/cuisson.
1. Appuyer sur Preheat.
 2. Appuyer sur la touche de température **6**
350 F.
 3. Appuyer sur Low Mix.
 4. Entrer la durée de cuisson en entrant **2500** à l'aide des touches numériques.
 5. Appuyer sur Start/Touch On.
Quand le four atteindra la température programmée, une sonnerie se fera entendre. Le four s'arrêtera et un message s'affichera. Suivre les instructions.
 6. Ouvrir la porte, enfourner les aliments, refermer la porte. Appuyer sur Start/Touch On.

CONVECTION AUTOMATIQUE FONCTIONS

Dans cette section du mode d'emploi et d'entretien, vous trouverez des directives pour la préparation de 12 aliments populaires à l'aide de Convec Broil (Grillade par convection), Convec Roast (Rotissage par convection) et Convec Bake (Cuisson par convection).

Après avoir sélectionné la fonction voulue, suivez les indications de l'affichage.

Pour des conseils pratiques, appuyer simplement Help lorsque le message d'aide HELP s'affiche.

CONVEC BROIL (GRILLADE PAR CONVECTION)

Convec Broil fait griller automatiquement les hamburgers, le poulet en morceaux, les biftecks et les tranches de poisson.

- Supposons que vous vouliez faire griller 2 hamburgers.

1. Appuyer sur Convec Broil.
2. Choisir le réglage désiré. Par exemple, pour les hamburgers, appuyer sur la touche **1**.
3. Entrer la quantité en appuyant sur la touche **2**. Suivre les informations affichées pour la cuisson.

Pour avoir des hamburgers bien cuits ou saignants, actionnez la commande Power Level pour choisir respectivement More ou Less. Voir les réglages de plus ou moins de durée en page 37.

4. Appuyer sur Start/Touch On.

À la fin du préchauffage du cycle de grillade, 4 tonalités longues se font entendre. FIN PRE-CHAUFFAGE PLACER ALIMENTS DANS FOUR s'affiche à plusieurs reprises. Ouvrir la porte et mettre les hamburgers au four. Refermez la porte.

5. Appuyer sur Start/Touch On.

À la fin du cycle de grillade, une longue tonalité se fait entendre et FIN apparaît à l'affichage.

Remarque :

1. Convec Broil peut se programmer avec un réglage de la durée. Voir la page 37.
2. Si on essaye d'entrer une valeur supérieure ou inférieure à celle permise indiquée au tableau ci-dessous, un message d'erreur s'affiche.
3. Pour faire griller d'autres aliments ou des aliments de poids ou de quantités inférieurs ou supérieurs aux valeurs établies dans le tableau ci-dessous, suivre les instructions du livre de cuisine Convection Microwave Hood Cookbook. Voir le tableau Broiling.

TABLEAU CONVEC BROIL (GRILLADE PAR CONVECTION)

RÉGLAGE/ ALIMENT	QUANTITÉ	MARCHE À SUIVRE
1. Hamburgers	1 à 8 pesant 0,25 livre chacun	Choisir ce réglage pour faire griller des hamburgers. Poser sur la grille inférieure.
2. Chicken pieces (Morceaux de poulet)	0,5 à 3 livres	Disposer les morceaux sur la grille inférieure. Après cuisson, laisser reposer 3-5 minutes. La température doit être de 180° F (82° C) sauf pour les blancs qui doivent être à 170° F (77° C) .
3. Steaks (Biftecks)	0,5 à 2 livres	Choisir ce réglage pour faire griller des biftecks de ¾ à 1 po (1,8 à 2,5 cm) d'épaisseur. Les biftecks individuels désossés cuisent uniformément. Poser les biftecks sur la grille inférieure. Appuyer sur Power Level une fois une cuisson à point et deux fois pour des biftecks saignants.
4. Fish steaks (Tranches de poisson)	0,5 à 2 livres	Choisir ce réglage pour faire griller une tranche de poisson de ¾ à 1 po (1,8 à 2,5 cm) d'épaisseur. Poser sur la grille inférieure.

CONVEC ROAST (RÔTISSAGE PAR CONVECTION)

Convec Roast fait automatiquement rôtir le poulet, la dinde, le blanc de dinde ou le porc.

- Supposons que vous vouliez faire rôtir 2,5 livres (1,15 kg) de poulet.

1. Appuyer sur Convec Roast.
2. Sélectionner le réglage voulu. Par exemple pour le poulet entrez **1**.
3. Entrer le poids à l'aide des touches numériques, par exemple **2****5** livres.
4. Appuyer sur Start/Touch On.

Après la fin du cycle de rôtissage à convection, une tonalité longue retentit. Suivre les consignes du message affiché.

Remarque :

1. Convec Roast peut se programmer avec un réglage de la durée. Voir la page 37.
2. Si on essaye d'entrer une valeur supérieure ou inférieure à celle permise indiquée au tableau ci-dessous, un message d'erreur s'affiche.
3. Pour faire rôtir d'autres aliments ou des plats pesant plus ou moins que les poids indiqués au tableau ci-dessous, consulter le tableau de cuisson combinée dans le livre de cuisine Viking Convection Microwave Hood Cookbook.

TABLEAU CONVEC ROAST

RÉGLAGE/ ALIMENT	QUANTITÉ	MARCHE À SUIVRE
1. Chicken (Poulet)	2,5 à 7,5 livres	Placer sur la grille inférieure. À la fin du cycle, couvrir d'une feuille d'aluminium et laisser reposer 5 à 10 minutes.
2. Turkey (Dinde)	6,5 à 9 livres	Assaisonner au goût. Placer sur la grille inférieure. À la fin du cycle, couvrir d'une feuille d'aluminium et laisser reposer pendant 10 minutes. La température interne des blancs de dinde doit être de 170° F (77° C) et de 180° F (82° C) pour les autres morceaux.
3. Turkey breast (Blanc de dinde)	3,0 à 6 livres	Assaisonner au goût. Placer sur la grille inférieure. À la fin du cycle, couvrir d'une feuille d'aluminium et laisser reposer pendant 10 minutes. La température interne des blancs de dinde doit être de 170° F (77° C).
4. Pork (Porc)	2 à 3,5 livres	Le filet de porc désossé est recommandé pour sa cuisson uniforme. Placer sur la grille inférieure. Après la cuisson, retirer du four, couvrir d'une feuille d'aluminium et laissez reposer 5 à 10 minutes. La température interne doit être de 160° F (71° C).

CONVEC BAKE (CUISSON PAR CONVECTION)

Convec Bake fait automatiquement cuire au four les gâteaux, les carrés au chocolat, muffins, et frites.

- Supposons que vous vouliez cuire un gâteau de 13 po x 9 po x 2 po.

1. Appuyer sur Convec Bake.

2. Sélectionner le réglage voulu. Pour ce type de gâteau entrer **1**.

3. Appuyer sur Start/Touch On.

À la fin du cycle de préchauffage Convec Bake, quatre tonalités se font entendre. L'affichage indique FIN PRE- CHAUF- FAGE PLACER ALIMENTS DANS FOUR. Ouvrir la porte. Introduire le gâteau à l'intérieur. Refermer la porte.

4. Appuyer sur Start/Touch On.

À la fin du cycle Convec Bake, une longue tonalité se fait entendre et FIN apparaît à l'affichage.

Remarque :

1. Convec Bake peut se programmer avec réglage de la durée. Voir la page 37.
2. Pour cuire d'autres aliments au four, voir la section correspondante du livre de cuisine Viking Convection Microwave Hood Cookbook.

TABLEAU CONVEC BAKE

RÉGLAGE/ ALIMENT	DIMENSIONS DES MOULES / QUANTITÉ	MARCHE À SUIVRE
1. Cake (Gâteau)	13 po x 9 po x 2 po	Idéal pour les mélanges à gâteau ou recettes maison dans un moule de 13 po x 9 po x 2 po. Suivre le mode d'emploi du mélange ou la recette, et verser dans le moule aux dimensions ci-dessus beurré et saupoudré de farine. Après le préchauffage, placer le moule au centre de la grille inférieure. Laisser refroidir avant de napper et de servir.
2. Brownies (Carrés au chocolat)	13 po x 9 po x 2 po	Idéal pour les mélanges pour carrés au chocolat ou recettes maison dans un moule de 13 po x 9 po x 2 po. Suivre le mode d'emploi du mélange ou la recette, et verser dans le moule de dimensions ci-dessus beurré et saupoudré de farine. Après le préchauffage, placer le moule au centre de la grille inférieure. Laisser refroidir avant de découper en portions individuelles.
3. Muffins	Plaque à 12 moules	Idéal pour les mélanges pour muffins ou recettes maison pour 12 muffins de taille moyenne. Suivre le mode d'emploi du mélange ou la recette, et verser dans 12 moules à muffins. Après le préchauffage, placer le moule au centre de la grille inférieure.
4. French fries (Frites)	Tôle à biscuits pour 3 à 24 onces	Utiliser des frites surgelées prêtes à servir. Aucun préchauffage n'est requis pour la préparation des frites. Les disposer sur la tôle placée sur la grille inférieure. Pour les frites allumettes, appuyer sur Power Level deux fois afin de programmer une durée plus courte avant d'appuyer sur Start/Touch On.

AUTRES PARTICULARITÉS PRATIQUES

HELP (AIDE - TOUCHE DE COMMANDE)

La touche Help facilite l'emploi du four en permettant l'affichage d'instructions pour 5 fonctions.

1. VERROUILLAGE DE SÉCURITÉ

Le verrouillage de sécurité évite une utilisation indésirable du four à micro-ondes, par exemple par des enfants. Le four peut être configuré pour que son tableau de commandes soit désactivé ou verrouillé. Pour ce faire, appuyer sur Help, la touche **1** puis Start/Touch On. Si on veut ensuite activer une commande LOCK apparaît à l'affichage. Pour annuler le verrouillage, appuyer sur Help puis sur Start/Touch On.

2. SUPPRESSION DU SIGNAL SONORE

Si on désire que le four n'émette pas de signal sonore pendant son fonctionnement, appuyer sur la touche Help, la touche **2** et la touche Stop/Clear.

Pour rétablir l'émission du signal sonore, appuyer sur la touche Help, la touche **2** et la touche Start/Touch On.

3. DÉMARRAGE AUTOMATIQUE

Si on désire programmer le four de façon à ce qu'il commence la cuisson à une heure précise, procéder comme suit :

- Supposons que l'on veuille commencer la cuisson d'un ragoût à 4h 30 au niveau 50 %, pendant 20 minutes. Avant tout, s'assurer que l'horloge indique l'heure exacte.
1. Appuyer sur Help.
 2. Toucher le chiffre **3** pour sélectionner Auto Start (démarrage auto).
 3. Pour entrer l'heure de démarrage à 4 :30, activer successivement **4****3****0**.
 4. Appuyer sur Clock.
 5. Pour entrer le programme de cuisson, appuyer sur Power Level, puis sur **5** et ensuite sur **2****0****0****0** pour la durée de cuisson.
 6. Appuyer sur Start/Touch On.

Remarques :

1. Le mode Auto Start peut être utilisé pour la cuisson manuelle, le grillage, le rôtissage et la cuisson avec convection, si l'horloge est paramétrée.
2. Si on ouvre la porte du four après avoir programmé Auto Start (démarrage automatique), il faut appuyer sur la touche Start/Touch On de manière à afficher l'heure à laquelle doit commencer la cuisson, pour que celle-ci débute à l'heure prévue.
3. S'assurer que les aliments peuvent être conservés sans risque dans le four jusqu'à l'heure de leur cuisson. Les courges et potirons font partie de ceux-là.

4. SÉLECTION DE LANGUE

Le four à micro-ondes est d'origine paramétré en anglais. Pour changer appuyer sur Help et sur [4]. Continuer d'appuyer sur [4] jusqu'à ce que la langue choisie soit sélectionnée. Appuyer ensuite sur Start/Touch On.

Appuyer sur [4] une fois : sélection de l'anglais.

Appuyer sur [4] deux fois : sélection de l'espagnol.

Appuyer sur [4] trois fois : sélection du français.

5. SÉLECTIONS DE POIDS ET DE TEMPÉRATURE

Le four à micro-ondes est d'origine paramétré pour les unités américaines de température et poids. Pour changer appuyer sur Help et sur [5]. Continuer d'appuyer sur [5] jusqu'à ce que les unités choisies aient été sélectionnées. Appuyer ensuite sur Start/Touch One.

Appuyer sur [5] une fois : sélection de LB / °F.

Appuyer sur [5] deux fois : sélection de KG / °C.

SÉQUENCE DE CUISSON MULTIPLE

Le four peut être programmé pour jusqu'à 4 séquences automatiques de cuisson pour le mode micro-ondes, et 4 séquences automatiques de cuisson avec préchauffage pour le mode convection/combinaison, en commutant d'un réglage de puissance à l'autre automatiquement.

Parfois les instructions de cuisson vous indiquent de démarrer à une puissance et de changer ensuite pour une différente. Votre four le fait automatiquement.

- Supposition : cuisson d'une pièce de boeuf à rôti 5 minutes à 90 % puis 30 minutes à 50 %.
1. Appuyer sur la touche Power Level une fois, puis sur la touche numérique [9] pour 90% de puissance.
 2. Entrer le premier temps de cuisson en appuyant sur les touches [5][0][0].
 3. Appuyer à nouveau sur la touche Power Level et sur la touche [5] pour 50% de puissance.
 4. Entrer ensuite le second temps de cuisson en appuyant sur les touches [3][0][0][0].
 5. Appuyer sur Start/Touch On.

Remarque :

1. Comme la commande Power Level a été activée deux fois, HIGH est affiché.
2. Si l'on souhaite connaître le niveau de puissance programmée, il suffit d'appuyer sur Power Level. La puissance s'affiche tant que le doigt reste sur cette touche.

TIMER (MINUTERIE)

- Supposition : chronométrage d'un appel téléphonique interurbain d'une durée de 3 minutes.
1. Appuyer sur Timer.

2. Entrer la durée en appuyant sur les touches **3|0|0**.

3. Appuyer sur Start/Touch On.

RÉGLAGE DES TEMPS DE CUISSON

PLUS: Si vous avez constaté par expérience préférer une cuisson un peu plus poussée dans les modes avec capteur, décongélation, gril, rôtissage et cuisson au four avec convection, actionner une fois la commande Power Level après votre sélection.

MOINS: Si vous avez constaté par expérience préférer une cuisson un peu moins poussée dans les modes avec capteur, décongélation, gril, rôtissage et cuisson au four avec convection, actionner deux fois la commande Power Level après votre sélection.

ADD-A-MINUTE (AJOUT D'UNE MINUTE DE CUISSON)

La touche Add-A-Minute permet de commander une cuisson d'une durée d'une minute au niveau 100 %. Au cours du fonctionnement manuel, il est possible d'augmenter la durée de cuisson par incrément de 1 minute en appuyant sur cette touche autant de fois qu'il est nécessaire.

- Supposons que l'on veuille réchauffer une tasse de soupe pendant une minute.

Appuyer sur la touche Add-A-Minute.

Remarques :

1. La touche Add-A-Minute n'a d'effet que pendant la cuisson ou que dans la minute suivant une cuisson, l'ouverture et la fermeture de la porte, et la pression sur la touche Stop/Clear.
2. Add-A-Minute ne peut pas être utilisé avec Sensor (Capteur), Sensor Cook (Cuisson par capteur), Defrost (Décongélation), Convec Broil, Convec Roast ni Convec Bake.

TOUCH ON (TOUCHE DE PUISSANCE MAXIMALE)

Touch On permet de cuire à puissance maximale (100 %) aussi longtemps que l'on maintient la pression d'un doigt sur la touche Start/Touch On. Touch On est parfait pour faire fondre du fromage, porter du lait à une température tout juste inférieure à la température d'ébullition, etc. La durée maximale d'utilisation est de 3 minutes.

- Supposons que l'on veuille faire fondre un morceau de fromage sur une tranche de pain.

1. Maintenir la pression d'un doigt sur la touche Start/Touch On. La durée s'affiche.
2. Lorsque le fromage a atteint l'onctuosité désirée, relâcher la pression du doigt sur la touche Start/Touch On. Le four cesse immédiatement de fonctionner.

Remarques :

1. Noter les temps nécessaires concernant à diverses opérations fréquentes et les programmer pour une utilisation future.

2. La touche Start/Touch On n'a d'effet que au cours de la minute qui suit une cuisson, l'ouverture et la fermeture de la porte ou une pression sur la touche Stop/Clear.
3. La touche Touch On ne peut être utilisée que trois fois de suite. Il faut ensuite ouvrir et fermer la porte du four ou appuyer sur la touche Stop/Clear, pour augmenter le temps de cuisson.

AIDE (INDICATION À L’AFFICHAGE)

Chaque configuration des modes décongélation, gril/rôtissage/cuisson au four avec convection et cuisson avec capteur est accompagnée d'un conseil de cuisson. Pour le lire, toucher la commande Help à chaque fois que HELP est activé à l'affichage interactif pour accéder aux messages d'aide.

MODE DE DÉMONSTRATION

Pour lancer une démonstration, appuyer dans l'ordre sur Clock, **[0]**, et Start/Touch On à maintenir pendant 3 secondes. DEMO ON DURING DEMO NO OVEN POWER va s'afficher. On peut alors démontrer les opérations de cuisson et les possibilités spécifiques sans que le four à micro-ondes ne génère de puissance. Par exemple, appuyer sur la touche Add-A Minute provoque l'affichage de 1.00 suivi d'un décompte rapide jusqu'à l'affichage de END à la fin.

Pour sortir du mode démonstration, appuyer dans l'ordre sur Clock, **[0]**, et Stop/Clear. Si c'est plus facile, débrancher le four de sa prise secteur et le rebrancher.

NETTOYAGE ET ENTRETIEN

Débrancher le cordon secteur avant de nettoyer, ou laisser la porte ouverte pour désactiver le four micro-ondes durant son nettoyage.

EXTÉRIEUR

La surface extérieure du four est peinte. Nettoyer l'extérieur à l'eau et au savon doux; rincer et sécher avec un linge doux. N'employer aucun produit de nettoyage de ménage ou produit abrasif.

PORTE

Essuyer les deux faces de la porte avec un linge humide pour supprimer toutes éclaboussures. Les parties métalliques sont plus faciles à entretenir si elles sont essuyées souvent avec un linge humide. Éviter l'utilisation de pulvérisateur et autres nettoyeurs forts pour ne pas tacher, strier ou délustrer la surface de la porte.

PANNEAU TACTILE DE COMMANDE

Nettoyer le panneau avec précaution. S'il se salit, le désactiver en ouvrant la porte du four avant le nettoyage. Essuyer le panneau avec un linge légèrement humecté d'eau seulement. Sécher avec un linge doux. Ne pas frotter, récurer, ni utiliser aucun produit d'entretien chimique. Utiliser le moins d'eau possible. Fermer la porte et appuyer sur Stop/Clear.

INTÉRIEUR - APRÈS CUISSON AUX MICRO-ONDES

Le nettoyage est facile car il y a peu de chaleur dégagée sur les surfaces intérieures. De ce fait il n'y a pas de surchauffe ni de projections ou éclaboussures. Pour nettoyer les surfaces intérieures, essuyer avec un chiffon doux et de l'eau chaude. **N'UTILISEZ PAS DE NETTOYANTS ABRASIFS OU FORTS, NI DE TAMPONS À RÉCURER.** Pour les salissures coriaces, utiliser du bicarbonate de soude ou du savon doux. Rincer complètement à l'eau claire. **NE PROJETEZ JAMAIS DE NETTOYANT POUR FOUR DIRECTEMENT SUR UNE PARTIE QUELCONQUE DU FOUR À MICRO-ONDES.**

INTÉRIEUR - APRÈS CUISSON PAR CONVECTION OU COMBINÉE, OU GRILLADE

Les corps gras et l'humidité peuvent laisser des éclaboussures. Laver immédiatement à l'eau chaude savonneuse. Rincer à fond et sécher par polissage. Des salissures plus difficiles à enlever peuvent se former si le four n'est pas nettoyé scrupuleusement et en cas de cuisson prolongée ou à haute température. En pareil cas, il conviendrait d'acheter un tampon à nettoyer les fours, déjà imbibé d'un produit liquide et destiné aux surfaces d'acier inox ou de porcelaine - et non pas un tampon à récurer, saturé de savon. Suivre soigneusement le mode d'emploi du fabricant et prendre particulièrement soin de ne pas laisser pénétrer le liquide dans les perforations des parois ni nulle part sur la porte. Rincer à fond et sécher par polissage.

Après le nettoyage complet de l'intérieur, la graisse résiduelle peut être éliminée des conduites intérieures et des éléments chauffants en faisant simplement fonctionner le four à 450° F (232° C) pendant 20 minutes sans aliments dedans. Ventilez la pièce si nécessaire.

COUVERCLE DU GUIDE D'ONDES

Laver soigneusement toute particule d'aliment déposée sur le couvercle du guide d'ondes qui se trouve à la surface supérieure de l'intérieur du four.

DÉSODORISATION

Des odeurs de cuisine peuvent éventuellement persister dans le four. Pour les éliminer, mélanger le jus et l'écorce râpée d'un citron et quelques clous de girofle, avec une tasse d'eau dans un récipient de deux tasses. Faire bouillir quelques minutes au niveau de 100 %. Laisser refroidir dans le four. Essuyer l'intérieur avec un linge doux.

PLATEAU TOURNANT ET SUPPORT

Le plateau tournant en céramique et son support se démontent et leur nettoyage est facile. Laver à l'eau douce savonneuse ; toute tache qui résiste se nettoie avec un produit doux et une éponge à récurer telle que décrite plus haut. Ces pièces sont également lavables dans la partie supérieure du lave-vaisselle.

GRILLES

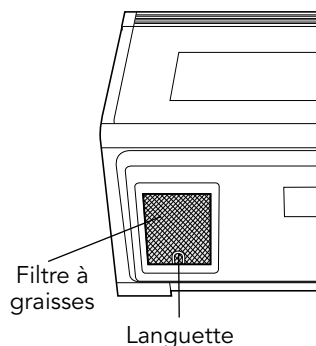
Les grilles supérieures et inférieures sont amovibles pour un nettoyage facile et peuvent se ranger à l'écart du four à micro-ondes lorsqu'elles ne servent pas. Les laver à l'eau douce savonneuse après chaque usage. Toute tache difficile à

enlever se nettoie avec un produit doux d'entretien et une éponge à récurer comme décrite ci-dessus. Les grilles sont lavables au lave-vaisselle.

FILTRES À GRAISSES

Les filtres doivent être nettoyés au moins une fois par mois. Ne jamais faire fonctionner le ventilateur ou le four en l'absence de filtres.

1. Tirer la languette de chacun des deux filtres vers l'avant et légèrement vers le bas du four pour les retirer.
2. Laisser tremper les filtres dans l'évier ou dans une bassine remplie d'eau chaude additionnée de détergent. NE PAS utiliser d'ammoniaque ou autre alcali, qui réagissent avec le matériau du filtre pour le noircir.
3. Secouer et frotter à la brosse pour désincruster.
4. Rincer à fond et secouer pour faire sécher.
5. Réinstaller les filtres en les encastrant à leur place.



VENTILATEUR

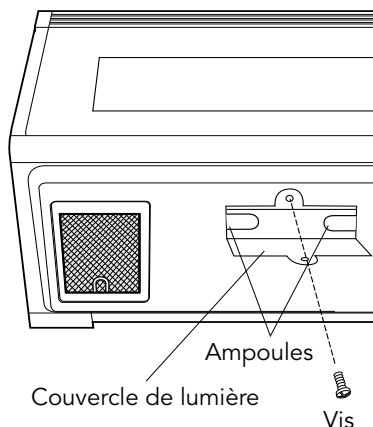
Le ventilateur se déclenche automatiquement sous l'effet de la chaleur montant de la cuisinière, ou celle des cuissons en mode convection, combiné fort ou faible niveau, ou grillade. Le four à micro-ondes est ainsi protégé contre toutes températures excessives. Le ventilateur continue à fonctionner jusqu'à réduction de la température, et ne peut pas être arrêté manuellement pendant ce temps. Pour d'autres besoins de ventilation, sélectionner haute ou basse vitesse.

PRÉCAUTIONS D'EMPLOI :

1. NE PAS laisser la surface de cuisson à haute température sans surveillance. Le ventilateur risque de démarrer automatiquement, fournissant trop d'air aux unités de surface et provoquant d'éventuelles éclaboussures ou des débordements.
2. Éviter de brûler les préparations.
3. Veiller à la propreté des filtres à graisses.

ÉCLAIRAGE

1. Pour remplacer les ampoules, couper d'abord l'alimentation du four au panneau disjoncteur ou en débranchant à la prise.
2. Pour dégager le couvercle d'ampoules, retirez les vis qui le maintiennent. (Voir l'illustration).



3. Remplacer les ampoules seulement avec des ampoules de 20 et de 40 watts.
En vente dans la plupart des quincailleries et centres de luminaires. L'unité sera expédiée avec une ampoule de 20 w et une ampoule de 40 w NE PAS UTILISER D'AMPOULE DE PLUS DE 40 WATTS.

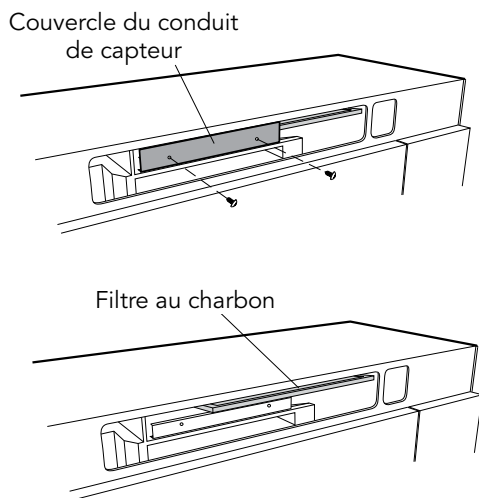
4. Fermer le couvercle d'ampoules et remettre la vis retirée à l'étape 2.

Avertissement : Le couvercle peut être brûlant. Ne pas toucher au verre lorsque l'ampoule est allumée. Ne pas laisser l'éclairage allumé longtemps, par exemple comme veilleuse.

FILTRE À CHARBON

Le filtre à charbon s'emploie en installations non ventilées à recirculation d'air. Le filtre doit être remplacé tous les 6 à 12 mois selon le niveau d'utilisation.

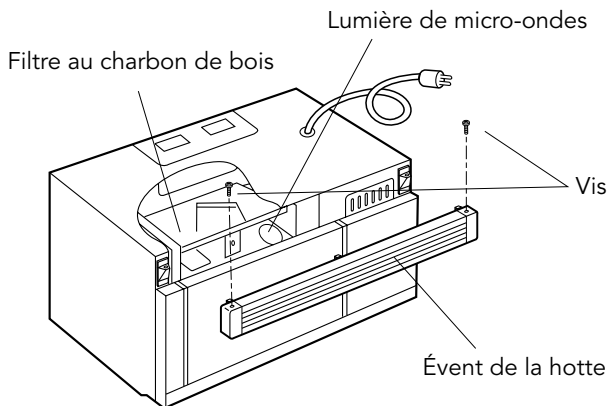
1. Couper l'alimentation du four au panneau disjoncteur ou en débranchant à la prise.
2. Retirer les trois vis du volet.
3. Tirer le volet à l'écart du four.
4. Retirer les deux vis qui fixent le couvercle du conduit de capteur.
5. Retirer le couvercle du conduit de capteur.
6. Retirer le vieux filtre au charbon (s'il y en a un).
7. Glisser le nouveau filtre au charbon en place sur les languettes de support.
8. Reposer le couvercle du conduit de capteur et le fixer à l'aide des 2 vis.
9. Pousser le volet pour le remettre en position et enclencher manuellement les languettes à leur place sans forcer et réinstaller les deux vis pour fixer le volet.



AMPOULE DU FOUR

Retirer l'évent à lames selon les consignes 1 à 3 du chapitre FILTRE À CHARBON (page 41) et le filtre au charbon, s'il a été utilisé.

4. Faites glisser le couvercle d'ampoules vers l'avant, puis soulever.
5. Enlever la vieille ampoule et la remplacer seulement par un ampoule de 20 watts en vente dans la plupart des quincailleries et centres de luminaires. **NE PAS UTILISER D'AMPOULES SUPÉRIEURES À 30 WATTS.**
6. Réinstaller le couvercle d'ampoules du four et le filtre à charbon s'il y a lieu ; poussez le volet en position et remettre les trois vis de montage.



FICHE TECHNIQUE

Tension d'alimentation :	Classification UL - Monophasé 120 V, 60 Hz, courant alternatif seulement Classification CSA - Monophasé 116 V, 60 Hz, courant alternatif seulement
Alimentation requise :	Classification UL Micro-ondes 1,60 kW, 13,2 A Classification UL Convection 1,60 kW, 13,2 A Classification CSA Micro-ondes 1,5 kW, 13,0 A Classification CSA Convection 1,5 kW, 13,0 A
Puissance de sortie	
Micro-ondes :	850 watts*
Chauffage à convection :	1400 watts
Fréquence :	2450 MHz
Dimensions extérieures :	29 ¹⁵ / ₁₆ po (L) x 16 ¹¹ / ₃₂ po (H) x 15 ⁹ / ₃₂ po (P) [760 mm (L) x 415 mm (H) x 388 mm (P)]
Dimensions de la cavité :	17 ¹ / ₈ po (l) x 8 ¹ / ₁₆ po (H) x 13 ¹³ / ₁₆ po (P) [435 mm (L) x 205 mm (H) x 351 mm (P)]
Capacité du four** :	1,1 pi ³ (0,031 m ³)
Uniformité de cuisson :	Plateau tournant/ventilateur
Poids :	Environ 71 lb (32,2 kg)

* Méthode normalisée de la Commission électrotechnique internationale pour la mesure de puissance débitée. Cette méthode de mesure est largement reconnue.

** La capacité intérieure est calculée en mesurant la largeur maximale, la profondeur maximale et la hauteur maximale et en multipliant ces mesures. La contenance réelle est inférieure au résultat obtenu.

En conformité avec les normes établies par :

FCC – Federal Communications Commission

DHHS – Conforme au règlement CFR Title 21 chapitre I section J du Department of Health and Human Services (DHHS)



– Ce symbole sur la plaque signalétique signifie que le produit est homologué par Underwriters Laboratories, Inc. pour utilisation aux États-Unis ou au Canada.

SBSC – Santé et Bien-être social Canada

Ce four à micro-ondes fait partie de la liste des produits homologués par l'Association canadienne de normalisation.

VERIFICATION AVANT D'APPELER UN RÉPARATEUR

Vérifier ce qui suit avant de faire appel à un réparateur :

1. Placer une tasse d'eau dans un verre gradué dans le four et bien fermer la porte.

Faire fonctionner le four pendant 1 minute à puissance ÉLEVÉE 100 %.

A Est-ce que la lumière du four est allumée? OUI ___ NON ___

B Est-ce que le ventilateur de cuisson fonctionne? OUI ___ NON ___
(Placer sa main sur l'évent à lame à l'arrière du four.)

C Est-ce que le plateau tournant tourne? OUI ___ NON ___
(Il est normal pour le plateau de tourner dans un sens ou dans l'autre.)

D Est-ce que l'eau est chaude? OUI ___ NON ___

2. Enlever l'eau du four et mettre le four en route pour 5 minutes sur Convec à 450° F (232° C).

Faire fonctionner le four pendant une minute sur HIGH 100%

A Les témoins CONV et COOK s'allument-ils? OUI ___ NON ___

B L'intérieur du four est-il chaud quand le four s'arrête? OUI ___ NON ___

Si la réponse à l'une ou l'autre de ces questions est NON, vérifier la prise électrique, le fusible ou le disjoncteur. S'ils fonctionnent convenablement, COMMUNIQUER AVEC LE RÉPARATEUR VIKING AUTORISÉ LE PLUS PROCHE.

Il ne faut jamais réparer un four à micro-ondes soi-même.

Remarque :

Si le temps qui apparaît dans l'affichage diminue très rapidement, vérifier le MODE DE DÉMONSTRATION à la page 38 et annuler.

GARANTIE DU FOUR MICRO-ONDES

TROIS ANS DE GARANTIE COMPLÈTE

Les fours micro-ondes Viking et toutes leurs pièces constitutives et accessoires, sauf les parties listées ci-dessous*, sont garantis être exempts de défauts dus aux matériaux ou à la main d'œuvre pour un usage domestique normal pendant une période de trente-six (36) mois à partir de la date d'achat chez le revendeur. Viking Range, LLC, le garant, accepte de réparer ou remplacer, à son choix, toute partie qui tombe en panne ou qui est trouvée défectueuse durant la période de garantie.

* Les parties en verre (y compris les ampoules d'éclairage), peintes et décoratives, sont garanties être exemptes de défauts dus aux matériaux ou à la main d'œuvre pour un fonctionnement ménager normal pendant une période réduite de quatre-vingt-dix (90) jours à partir de la date d'achat chez le revendeur. TOUT DÉFAUT DOIT ÊTRE SIGNALÉ AU REVENDEUR DANS LES QUATRE-VINGT-DIX (90) JOURS SUIVANT L'ACHAT CHEZ LUI.

GARANTIE LIMITÉE DE CINQ ANS

Tout tube magnétron qui tomberait en panne suite à un défaut d'origine matériel ou de main d'œuvre, dans des conditions d'utilisation normales, de la seconde année à la cinquième année suivant sa date d'achat d'origine, sera réparé ou remplacé gratuitement pour le coût de la pièce elle-même, le propriétaire payant tous les autres frais dont la main d'œuvre.

Cette garantie est accordée au tout premier acheteur du produit garanti ici, et à tous acheteurs ultérieurs du produit pour la durée de cette garantie.

Cette garantie s'applique aux produits achetés et utilisés aux États-Unis et au Canada. Les produits doivent avoir été achetés dans le pays ou le service sous garantie est demandé. La main d'œuvre du dépannage doit être fournie par une agence de service agréée ou un dépositaire de Viking Range, LLC. La garantie ne pourra pas s'appliquer pour des dommages résultant d'usage abusif, d'accident, de catastrophe naturelle, de perte d'alimentation électrique vers le produit pour n'importe quelle raison, de vandalisme, d'utilisation en extérieur, d'installation incorrecte, de mise en œuvre non appropriée, d'entretien ou réparation par quiconque non habilité par une agence de service agréée ou un dépositaire de Viking Range, LLC. Cette garantie ne s'applique pas pour un usage commercial du produit. Le garant n'est pas responsable pour les dommages consécutifs ou accessoires survenant en violation des devoirs ou du contrat ou des deux. Certaines juridictions ne permettent pas l'exclusion ou la limitation pour dommages consécutifs ou accessoires, de ce fait la limitation ou exclusion ci-dessus peut ne pas être applicable pour votre cas.

Le propriétaire sera seul responsable de la conformité de l'installation, de l'apport normal de l'attention et de l'entretien, et devra fournir la preuve de son achat sur demande et laisser l'équipement raisonnablement accessible pour sa réparation. Si le produit ou un de ses composants comporte un défaut ou présente une anomalie de fonctionnement pendant sa période de garantie, après un nombre raisonnable de tentatives de résolution du problème par le garant, le propriétaire est en droit de demander un remboursement ou un remplacement de produit ou de(s) pièce(s). L'engagement du garant pour toute réclamation de toute sorte concernant le produit concerné ici ne pourra pas excéder le prix d'achat du produit lui-même.

RÉPARATION SOUS GARANTIE : Suivant les termes de cette garantie, la réparation doit être effectuée par un agent ou représentant autorisé par l'usine Viking Range, LLC. La réparation sera assurée durant les horaires de travail normaux, tout supplément pour travail effectué en dépassement d'horaire ou période spéciale ne sera pas couvert par cette garantie. Pour obtenir une réparation sous garantie, contactez le revendeur chez qui vous avez acheté le produit, ou un agent de service autorisé par Viking Corporation, ou Viking Range, LLC directement. Vous devrez alors fournir l'indication de modèle, le numéro de série et la date d'achat de l'appareil. Pour obtenir le nom de l'agence de service agréée par Viking Range, LLC la plus proche de chez vous, appelez le revendeur chez qui vous avez acheté, ou le service clientèle de Viking Range, LLC.

IMPORTANT : Gardez la preuve de votre achat d'origine pour la détermination de votre droit à la garantie.

Le retour de la carte d'enregistrement d'utilisateur ne conditionne pas votre garantie. Cependant veuillez la retourner de façon à ce que Viking Range, LLC puisse vous contacter si un problème de sécurité apparaissait sur ce type de produit qui vous concernerait.

Toutes garanties implicites du caractère commercialisable ou de l'adéquation à un usage particulier pour les parties décrites précédemment sont limitées à la durée contractuelle de la garantie exprimée plus haut. Certaines juridictions ne permettent pas la limitation de durée pour les garanties implicites, de ce fait la limitation ci-dessus peut ne pas être applicable pour votre cas. Cette garantie vous donne des droits légaux spécifiques, et vous pouvez peut-être avoir d'autres droits, qui peuvent varier d'une juridiction à une autre.

Viking Range, LLC

111 Front Street

Greenwood, Mississippi (MS) 38930 USA (888) 845-4641

Spécifications susceptibles d'être modifiées sans préavis
Pour plus d'informations, appelez 1-888-VIKING1 (845-4641),
ou branchez-vous sur le site Web à l'adresse <http://www.vikingrange.com>



Viking Range, LLC
111 Front Street
Greenwood, Mississippi 38930
USA
(662) 455-1200

For product information
call 1-888-VIKING1 (845-4641)
or visit the Viking Web site at
vikingrange.com

F20379

Free Manuals Download Website

<http://myh66.com>

<http://usermanuals.us>

<http://www.somanuals.com>

<http://www.4manuals.cc>

<http://www.manual-lib.com>

<http://www.404manual.com>

<http://www.luxmanual.com>

<http://aubethermostatmanual.com>

Golf course search by state

<http://golfingnear.com>

Email search by domain

<http://emailbydomain.com>

Auto manuals search

<http://auto.somanuals.com>

TV manuals search

<http://tv.somanuals.com>