



Standard Features & Accessories

All models include

- Commercial styling and construction
 - No assembly required
 - Built from thick sheets of rugged, heavy-duty, non-rusting stainless steel
- Large inboard 10" solid rubber rear wheels and locking caster front wheels provide maneuverability and stability, and allow unit to fit flush against wall.
- 16"W. x 24"D. fold-down side shelf/shelves

BQC030T3 model includes

- Compatible with 30"W. grills*
 - Can use Premium cart for Ultra-Premium 30"W. grill, and vice versa.
- Two casters
- One shelf, which can be mounted on

the left or right

- Rear cutout for LP tank access or storage

BQC300T3 model includes

- Compatible with 30"W. grills*
 - Can use Ultra-Premium cart for Premium 30"W. grill, and vice versa
- Four casters
- Two shelves
- Front door for LP tank access or storage
 - Features stainless steel accessory rod

BQC410T1 model includes

- Compatible with 41"W. grills*
- Two shelves
- Two storage drawers

- Front door for LP tank access
- Opens to a slide-out LP tank shelf

BQC530T1 model includes

- Compatible with 53"W. grills*
- Two shelves
- Two storage drawers
- Front door for LP tank access
 - Opens to a slide-out LP tank shelf
- Front storage access door
 - Opens to a stainless steel storage shelf

*Grills **sold separately** (see **Installation Notes & Accessories**).

Model Options



BQC030T3*
Premium Cart
 (for 30"W. grills)



BQC300T3*
Ultra-Premium Cart
 (for 30"W. grills)



BQC410T1*
Ultra-Premium Cart
 (for 41"W. grills)



BQC530T1*
Ultra-Premium Cart
 (for 53"W. grills)

FINISH DETAILS FOR ALL MODELS

- Stainless Steel (SS)
- Brass Trim Option (BR)—nameplate and handles/brackets. Brass components have a durable protective coating for maintenance-free normal use.

*Shown throughout with grill, sold separately.

ORDERING INSTRUCTIONS

If ordering optional brass trim, specify code at end (BQC030T3SSBR).





★ Please see Installation Notes and Accessories for important information, including grills and protective covers.

Dimensions & Specifications

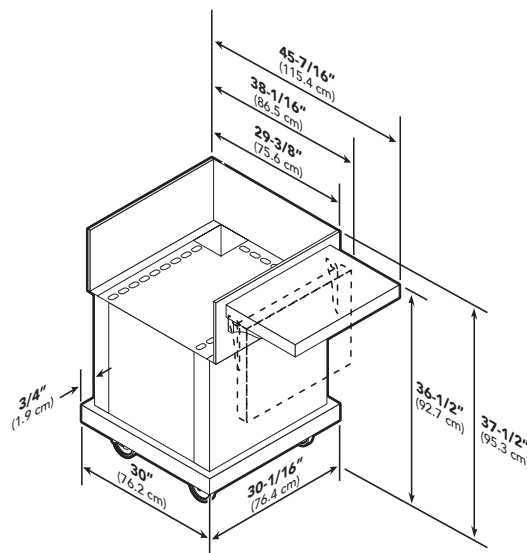
PRODUCT DIMENSIONS



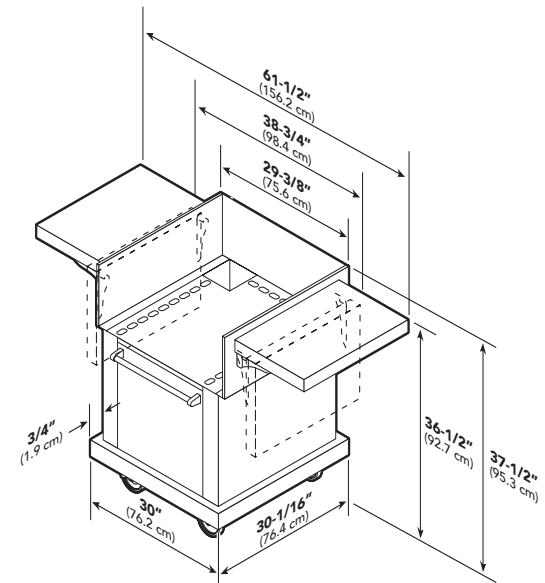
BQC030T3
Premium Cart
(for 30"W. grills)



BQC300T3
Ultra-Premium Cart
(for 30"W. grills)



BQC030T3



BQC300T3

	BQC030T3	BQC300T3
Overall width		
Across top edge	29-3/8" (75.6 cm)	29-3/8" (75.6 cm)
Across bottom ledge	30" (76.2 cm)	30" (76.2 cm)
With shelf folded down	N/A	38-1/16" (86.5 cm)
With shelf extended	N/A	45-7/16" (115.4 cm)
With shelves folded down	N/A	38-3/4" (98.4 cm)
With shelves extended*	N/A	61-1/2" (156.2 cm)
Overall height (from bottom of wheels)		
To top of cart	37-1/2" (95.3 cm)	
To top of shelf	36-1/2" (92.7 cm)	
Overall depth (from rear)		
To end of handle brackets	N/A	31-1/16" (78.9 cm)
Base ledge	30-1/16" (76.4 cm)	
With door open	N/A	53-1/16" (134.8 cm)
Approx. ship wt. lbs. (kg)	165 (74.8)	165 (74.8)

*Shelves can be removed, but you must take them off before installing grill. (See Installation Instructions for removal.)



★ Please see Installation Notes and Accessories for important information, including grills and protective covers.

Dimensions & Specifications

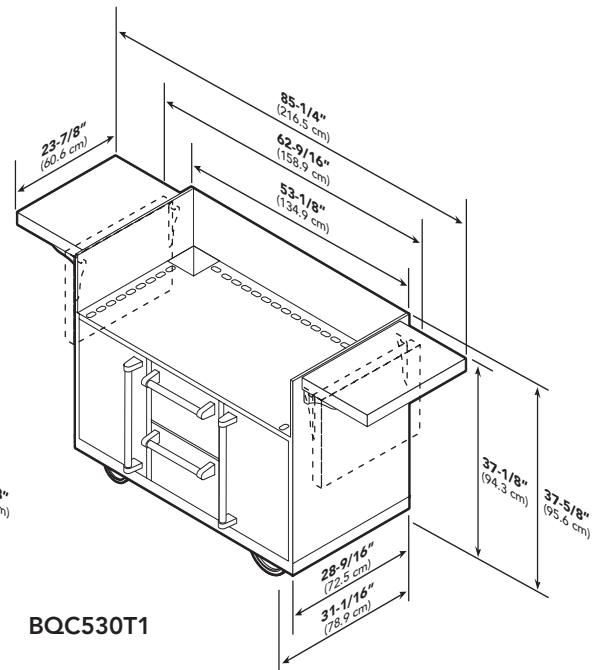
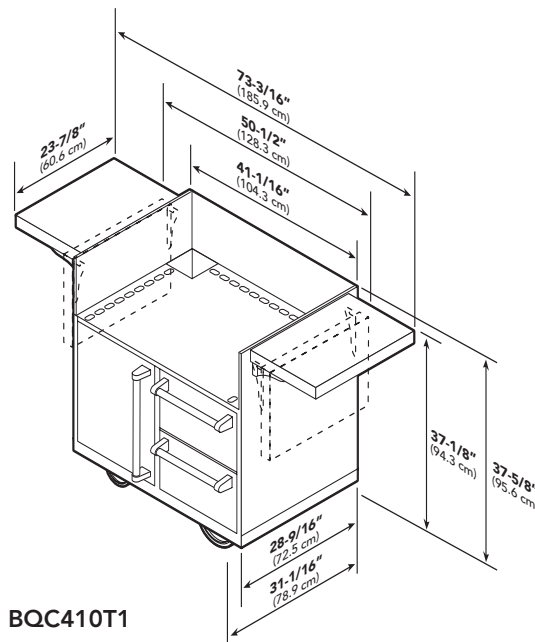
PRODUCT DIMENSIONS



BQC410T1
Ultra-Premium Cart
(for 41"W. grills)



BQC530T1
Ultra-Premium Cart
(for 53"W. grills)



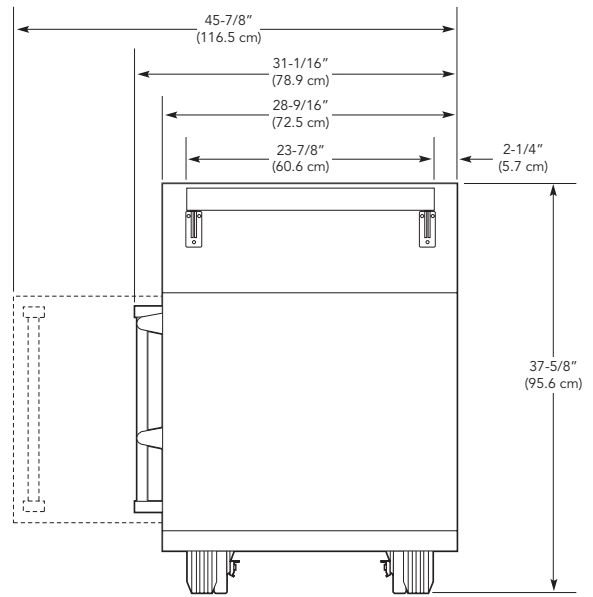
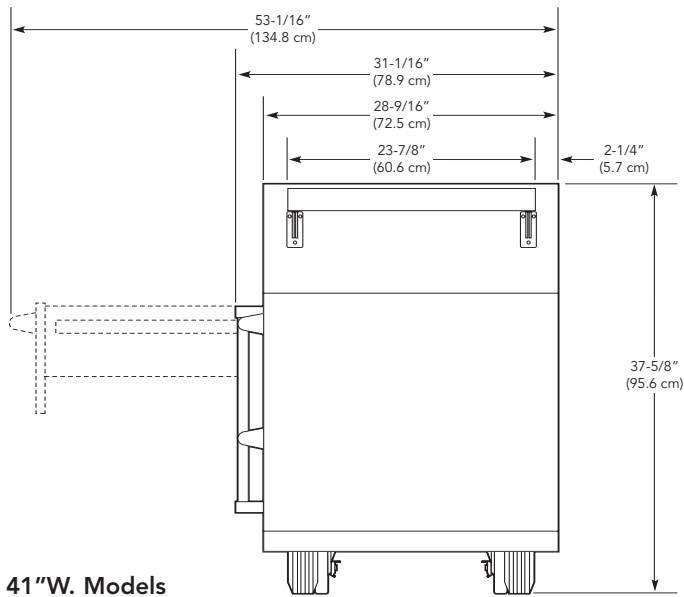
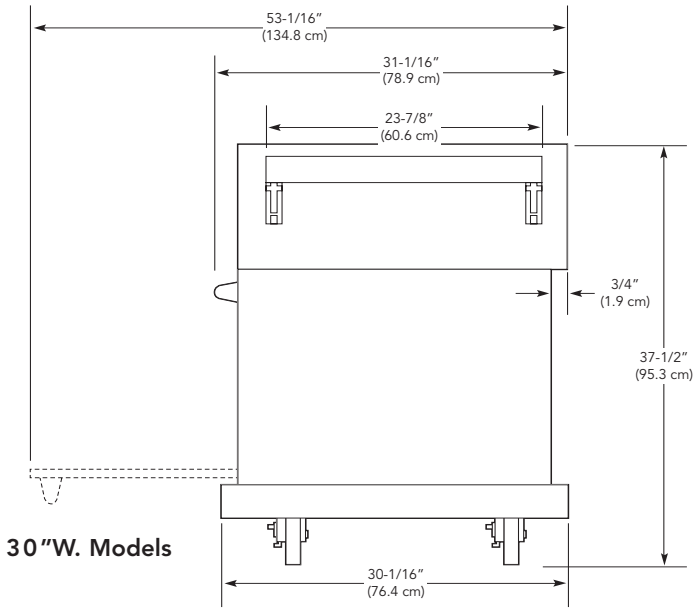
	BQC410T1	BQC530T1
Overall width		
Across top edge	41-1/16" (104.3 cm)	53-1/8" (134.9 cm)
With shelves folded down	50-1/2" (128.3 cm)	62-9/16" (158.9 cm)
With shelves extended*	73-3/16" (185.9 cm)	85-1/4" (216.5 cm)
Overall height (from bottom of wheels)		
To top of cart	37-5/8" (95.6 cm)	
To top of shelf	37-1/8" (94.3 cm)	
Overall depth (from rear)		
To end of handle brackets	31-1/16" (78.9 cm)	
With door open	45-7/8" (116.5 cm)	43-1/16" (109.4 cm)
With drawer open	53-1/16" (134.8 cm)	
Approx. ship wt. lbs. (kg)	225 (115.8)	290 (131.7)

*Shelves can be removed, but you must take them off before installing grill. (See Installation Instructions for removal.)



Dimensions & Specifications

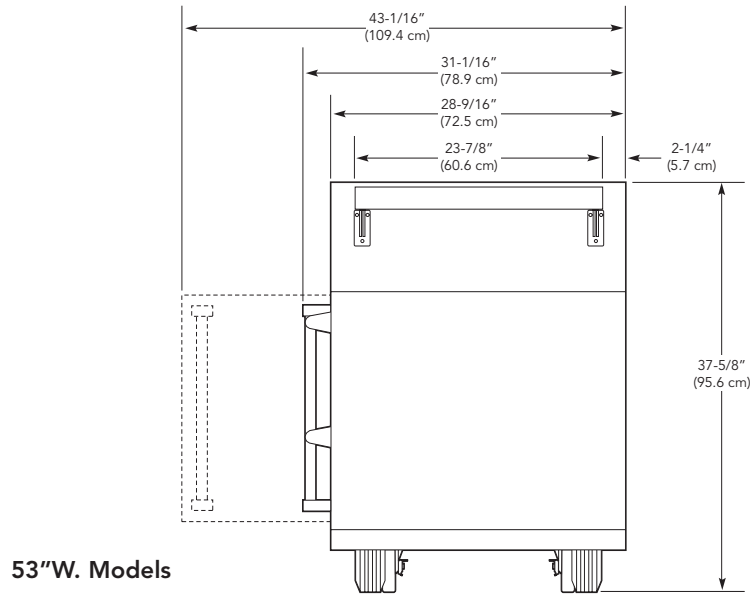
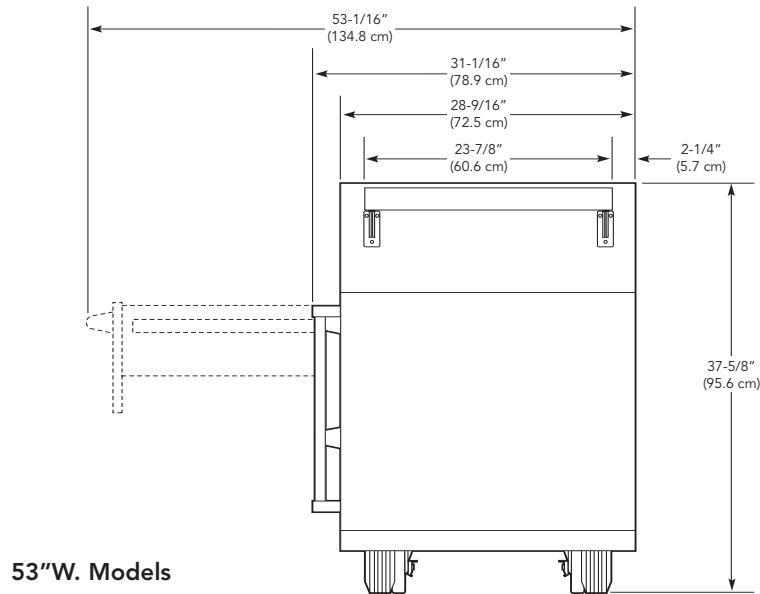
DRAWER & DOOR SWING





Dimensions & Specifications

DRAWER & DOOR SWING





✦ Installation Notes & Accessories

Gas Grills

Note: Before installing a grill onto the cart, remove the grill's drip tray, grates, flavor grids, and warming racks.

- See individual product pages for more information and additional specifications.

Model	Description	Approx. ship wt. lbs. (kg)
VGBQ030-2T	Premium T-Series 30"W. two-burner all grill	325 (147.5)
VGBQ300-2RT	Ultra-Premium T-Series 30"W. two-burner all grill	325 (147.5)
VGBQ300-2RE	Ultra-Premium E-Series 30"W. two-burner all grill	325 (147.5)
VGIQ300-2RT	Ultra-Premium T-Series 30"W. two-burner all grill w/TruSear	325 (147.5)
VGBQ410-3RT	Ultra-Premium T-Series 41"W. three-burner all grill	380 (172.5)
VGBQ410-3RE	Ultra-Premium E-Series 41"W. three-burner all grill	380 (172.5)
VGBQ412-2RT	Ultra-Premium T-Series 41"W. two-burner grill w/side burners	350 (158.9)
VGBQ412-2RE	Ultra-Premium E-Series 41"W. two-burner grill w/side burners	350 (158.9)
VGIQ410-3RT	Ultra-Premium T-Series 41"W. three-burner all grill w/TruSear	380 (172.5)
VGIQ410-3RE	Ultra-Premium E-Series 41"W. three-burner all grill w/TruSear	380 (172.5)
VGBQ530-4RT	Ultra-Premium T-Series 53"W. four-burner all grill	460 (208.8)
VGBQ530-4RE	Ultra-Premium E-Series 53"W. four-burner all grill	460 (208.8)
VGBQ532-3RT	Ultra-Premium T-Series 53"W. three-burner grill w/side burners	490 (222.5)
VGBQ532-3RE	Ultra-Premium E-Series 53"W. three-burner grill w/side burners	490 (222.5)
VGIQ530-4RT	Ultra-Premium T-Series 53"W. four-burner all grill w/TruSear	460 (208.8)
VGIQ530-4RE	Ultra-Premium E-Series 53"W. four-burner all grill w/TruSear	460 (208.8)
VGIQ532-3RT	Ultra-Premium T-Series 53"W. three-burner grill w/side burners & TruSear	490 (222.5)
VGIQ532-3RE	Ultra-Premium E-Series 53"W. three-burner grill w/side burners & TruSear	490 (222.5)

Vinyl Covers

- Sturdy, reinforced vinyl exterior; felt-lined interior for protection

Model	Description	Approx. ship wt. lbs. (kg)
CV30T-C	Cover for 30"W. cart & grill	8 (3.6)
CV41T-C	Cover for 41"W. cart & all grill	10 (4.5)
CV41T-CSB	Cover for 41"W. cart & grill w/side burners	10 (4.5)
CV53T-C	Cover for 53"W. cart & all grill	15 (6.8)
CV53T-CSB	Cover for 53"W. cart & grill w/side burners	15 (6.8)

WARRANTY SUMMARY*

- One-year full warranty—complete product (w/in-home repairs)
- Lifetime limited warranty—rust through on all stainless steel components
- Two-year limited warranty—door hinges and drawer slides
- Ninety-day limited warranty—cosmetic parts such as glass, painted, & decorative items

* For complete warranty see *Use & Care Guide*. Warranty valid on Viking products shipped within the United States and Canada.



Free Manuals Download Website

<http://myh66.com>

<http://usermanuals.us>

<http://www.somanuals.com>

<http://www.4manuals.cc>

<http://www.manual-lib.com>

<http://www.404manual.com>

<http://www.luxmanual.com>

<http://aubethermostatmanual.com>

Golf course search by state

<http://golfingnear.com>

Email search by domain

<http://emailbydomain.com>

Auto manuals search

<http://auto.somanuals.com>

TV manuals search

<http://tv.somanuals.com>