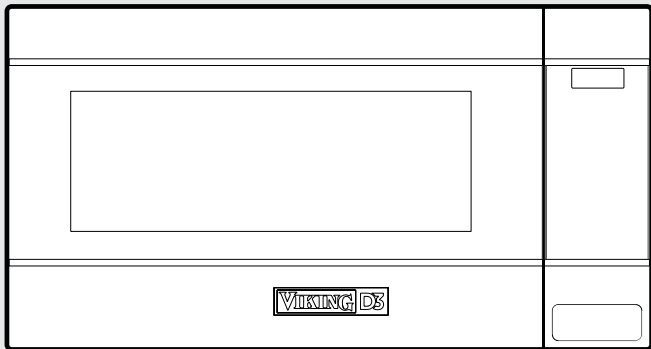


Viking Use & Care Manual



D3 Microwave Oven

Congratulations

Congratulations and welcome to the elite world of Viking ownership. We hope you will enjoy and appreciate the care and attention we have put into every detail of your new, state-of-the-art Microwave Oven.

Your Viking Microwave Oven is designed to offer years of reliable service. This Use and Care Guide will provide you with the information you need to become familiar with your Microwave Oven's care and operation.

Your complete satisfaction is our ultimate goal. If you have any questions or comments about this product, please contact the dealer from whom you purchased it, or contact our Consumer Support Center at 1-888-VIKING1.

We appreciate your choice of a Viking Microwave Oven and hope that you will again select our products for your other major oven needs.

For more information about the complete and growing selection of Viking products, contact your dealer or visit us online at vikingrange.com.

Table of Contents

Getting Started

Warnings	3
Important Safety Instructions	5
Important—Please Read and Follow	8
Electrical Grounding Instructions	8
Before Using Microwave Oven	9
Setting the Clock	15
To Set The Clock	15
Stop/Clear	15

Product Controls 16

Features	16
Electronic Display	17

Operation 18

Control Panel and Settings	18
Time Cooking	18
To Set Power Level	18
Sensor Settings	19
Sensor Cook	20
Covering Foods	20
Reheat	24
Defrost	25
Manual Defrost	26
Keep Warm Plus	27
Hot Water	27
Help	28
Help (In the display)	29
Demonstration Mode	29
Timer	29
Multiple Sequence Cooking	30
More or Less Time Adjustment	30
Add-A-Minute	31

Table of Contents

Product Care _____	32
Cleaning and Maintenance _____	32
Oven Surfaces _____	32
Interior _____	32
Glass Surfaces _____	32
Stainless Steel Parts _____	32
Control Panel _____	33
Odor Removal _____	33
Turntable/Turntable Support _____	33
Waveguide Cover _____	33
Troubleshooting _____	34
Service Information _____	35
Warranty _____	36

Warnings

Warning and Important Safety Instructions appearing in this manual are not meant to cover all possible conditions and situations that may occur. Common sense, caution, and care must be exercised when installing, maintaining, or operating this appliance.

ALWAYS contact the manufacturer about problems or conditions you do not understand.

Recognize Safety Symbols, Words, Labels

DANGER

Hazards or unsafe practices which **WILL** result in severe personal injury or death

WARNING

Hazards or unsafe practices which **COULD** result in death or severe personal injury

WARNING

Hazards or unsafe practices which **COULD** result in minor personal injury or property damage.

All safety messages will identify the hazard, tell you how to reduce the chance of injury, and tell you what can happen if the instructions are not followed.

Read and follow all instructions before using this appliance

to prevent the potential risk of fire, electric shock, personal injury or damage to the appliance as a result of improper usage of the appliance. Use appliance only for its intended purpose as described in this manual.

To ensure proper and safe operation: Appliance must be properly installed and grounded by a qualified technician. **DO NOT** attempt to adjust, repair, service, or replace any part of your appliance unless it is specifically recommended in this manual. All other servicing should be referred to a qualified servicer.

Warnings

PRECAUTIONS TO AVOID POSSIBLE EXPOSURE TO EXCESSIVE MICROWAVE ENERGY

- (a) Do not attempt to operate this oven with the door open since open-door operation can result in harmful exposure to microwave energy. It is important not to defeat or tamper with the safety interlocks.
- (b) Do not place any object between the oven front face and the door or allow soil or cleaner residue to accumulate on sealing surfaces.
- (c) Do not operate the oven if it is damaged. It is particularly important that the oven door close properly and that there is no damage to the: (1) door (bent), (2) hinges and latches (broken or loosened), (3) door seals and sealing surfaces.
- (d) The oven should not be adjusted or repaired by anyone except properly qualified service personnel.

WARNING



Improper use of the grounding plug can result in a risk of electric shock.

IMPORTANT SAFETY INSTRUCTIONS

When using electrical appliances basic safety precautions should be followed, including the following:

WARNING - To reduce the risk of burns, electric shock, fire, injury to persons or exposure to excessive microwave energy:

- Read all instructions before using the appliance.
- Read and follow the specific "PRECAUTIONS TO AVOID POSSIBLE EXPOSURE TO EXCESSIVE MICROWAVE ENERGY" on page 4.
- This appliance must be grounded. Connect only to properly grounded outlet. See "GROUNDING INSTRUCTIONS" on page 8.
- Install or locate this appliance only in accordance with the provided Installation Manual.
- Some products such as whole eggs and sealed containers — For example glass jars are able to explode and should not be heated in the appliance.
- Use this appliance only for its intended use as described in this manual. Do not use corrosive chemicals or vapors in this appliance. This appliance is specifically designed to heat, cook or dry food. It is not designed for industrial or laboratory use.
- As with any appliance, close supervision is necessary when used by children.
- To reduce the risk of fire in the appliance cavity:
 - Do not overcook food. Carefully attend appliance when paper, plastic or other combustible materials are placed inside the appliance to facilitate cooking.
 - Remove wire twist-ties from paper or plastic bags before placing bag in appliance.
 - If materials inside the appliance ignite, keep appliance door closed, turn microwave off and shut off power at the fuse or circuit breaker panel.
 - Do not use the appliance for storage purposes. Do not leave paper products, cooking utensils, or food in the appliance when not in use.

IMPORTANT SAFETY INSTRUCTIONS

- Do not operate this appliance if it has a damaged cord or plug, if it is not working properly or if it has been damaged or dropped.
- This appliance should be serviced only by qualified service personnel. Contact nearest Viking Authorized Servicer for examination, repair or adjustment.
- Do not cover or block any openings on the appliance.
- Do not store or use this appliance outdoors. Do not use this product near water such as, near a kitchen sink, in a wet basement, near a swimming pool or similar locations.
- Do not immerse cord or plug in water.
- Keep cord away from heated surfaces.
- Do not let cord hang over edge of table or counter.
- See oven surface cleaning instructions on page 32.
- Do not mount over sink.
- Do not store anything directly on top of the appliance surface when the appliance is in operation.

IMPORTANT SAFETY INSTRUCTIONS

- Liquids, such as water, coffee or tea are able to be overheated beyond the boiling point without appearing to be boiling. Visible bubbling or boiling when the container is removed from the microwave oven is not always present. THIS COULD RESULT IN VERY HOT LIQUIDS SUDDENLY BOILING OVER WHEN A SPOON OR OTHER UTENSIL IS INSERTED INTO THE LIQUID.

To reduce the risk of injury to persons:

- Do not overheat the liquid.
 - Stir the liquid both before and halfway through heating it.
 - Do not use straight-sided containers with narrow necks. Use a wide-mouthed container.
 - After heating, allow the container to stand in the microwave oven at least for 20 seconds before removing the container.
 - Use extreme care when inserting a spoon or other utensil into the container.
- If the oven light fails, consult a VIKING AUTHORIZED SERVICER.

SAVE THESE INSTRUCTIONS

IMPORTANT – Please Read and Follow

ELECTRICAL GROUNDING INSTRUCTIONS

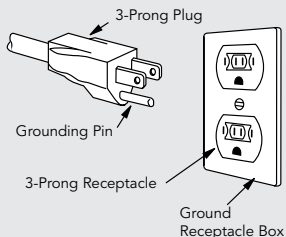
This appliance must be grounded. In the event of an electrical short circuit, grounding reduces risk of electric shock by providing an escape wire for the electric current. This oven is equipped with a cord having a grounding wire with a grounding plug. It must be plugged into a wall receptacle that is properly installed and grounded in accordance with the National Electrical Code and local codes and ordinances.

! WARNING

Improper use of the grounding plug can result in a risk of electric shock.

Electrical Requirements

The oven is equipped with a 3-prong grounding plug. **DO NOT UNDER ANY CIRCUMSTANCES CUT OR REMOVE THE GROUNDING PIN FROM THE PLUG. DO NOT USE AN EXTENSION CORD.** If the power supply cord is too short, have a qualified electrician or serviceworker install an outlet near the appliance.



The Power Supply Cord and plug must be connected to a separate 120 Volt AC, 60 Hz, 15 Amp, or more branch circuit, single grounded receptacle. The receptacle should be located inside the cabinet directly above the Microwave Oven mounting location.

NOTE:

- If you have any questions about the grounding or electrical instructions, consult a qualified electrician or serviceworker.
- Neither Viking nor the dealer can accept any liability for damage to the oven or personal injury resulting from failure to observe the correct electrical connection procedures.

Radio or TV Interference

Should there be any interference caused by the Microwave Oven to your radio or TV, check that the Microwave Oven is on a different electrical circuit, relocate the radio or TV as far away from the oven as feasible or check position and signal of receiving antenna.

IMPORTANT – Please Read and Follow

BEFORE USING MICROWAVE OVEN

NEVER use the oven without the turntable and support nor turn the turntable over so that a large dish could be placed in the oven. The turntable will turn both clockwise and counterclockwise.

ALWAYS have food in the oven when it is on to absorb the microwave energy.

When using the oven at power levels below 100%, you may hear the magnetron cycling on and off. It is normal for the exterior of the oven to be warm to the touch when cooking or reheating.

Condensation is a normal part of microwave cooking. Room humidity and the moisture in food will influence the amount of moisture that condenses in the oven. Generally, covered foods will not cause as much condensation as uncovered ones. Ventilation openings must not be blocked.

The oven is for food preparation only. It should not be used to dry clothes or newspapers.

Your oven is rated 1100 watts by using the IEC Test Procedure. **In using recipes or package directions check food a minute or two before the minimum time and add time accordingly.**

Cookware Safety

- Use dry, sturdy pot-holders. Damp pot-holders may cause burns from steam. Dishtowels or other substitutes should **NEVER** be used as potholders because they can trail across hot surface elements and ignite or get caught on appliance parts.
- **DO NOT** heat unopened food containers; buildup of pressure may cause the container to explode and result in injury.
- Use care when opening the microwave door. Let hot air or steam escape before removing or replacing food.
- **PREPARED FOOD WARNING:** Follow food manufacturer's instructions. If a plastic frozen food container and/or its cover distorts, warps, or is otherwise damaged during cooking, immediately discard the food and its container. The food could be contaminated.

It is not necessary to buy all new cookware. Many pieces already in your kitchen can be used successfully in your new Microwave Oven. Make sure the utensil does not touch the interior walls during cooking.

Use these utensils for safe microwave cooking and reheating:

- glass ceramic (Pyroceram®), such as Corningware®.
- heat-resistant glass (Pyrex®)

IMPORTANT – Please Read and Follow

- microwave-safe plastics
- microwave-safe paper plates
- microwave-safe pottery, stoneware and porcelain
- browning dish (Do not exceed recommended preheating time. Follow manufacturer's directions.)

These items can be used for short time reheating of foods that have little fat or sugar in them:

- wood, straw, wicker

DO NOT USE:

- metal pans and bakeware (cookie sheets / brownie pans)
- dishes with metallic trim
- non-heat-resistant glass
- non-microwave-safe plastics (margarine tubs)
- recycled paper products
- brown paper bags
- food storage bags
- metal twist-ties

Should you wish to check if a dish is safe for microwaving, place the empty dish in the oven and microwave on HIGH for 30 seconds. A dish which becomes very hot should not be used.

The following coverings are ideal:

- Paper towels are good for covering foods for reheating and absorbing fat while cooking bacon.
- Wax paper can be used for cooking and reheating.
- Plastic wrap that is specially marked for microwave use can be used for cooking and reheating. **DO NOT** allow plastic wrap to touch food. Vent so steam can escape.
- Lids that are microwave-safe are a good choice because heat is kept near the food to hasten cooking.
- Oven cooking bags are good for large meats or foods that need tenderizing. **DO NOT** use metal twist ties. Remember to slit bag so steam can escape.

How to use aluminum foil in your Microwave Oven:

- Small flat pieces of aluminum foil placed smoothly on the food can be used to shield areas that are either defrosting or cooking too quickly.
- Foil should not come closer than one inch to any surface of the microwave oven.

Should you have questions about utensils or coverings, check a good microwave cookbook or follow recipe suggestions.

IMPORTANT – Please Read and Follow

Accessories

There are many microwave accessories available for purchase. Evaluate carefully before you purchase so that they meet your needs. A microwave-safe thermometer will assist you in determining correct doneness and assure you that foods have been cooked to safe temperatures. Viking is not responsible for any damage to the microwave oven when accessories are used.

Child Safety

- Children below the age of 7 should use the microwave oven with a supervising person very near to them. Between the ages of 7 and 12, the supervising person should be in the same room. The child must be able to reach the microwave oven comfortably.
- At no time should anyone be allowed to lean or swing on the microwave oven.
- Children should be taught all safety precautions: use potholders, remove coverings carefully, pay special attention to packages that crisp food because they may be extra hot.
- Don't assume that because a child has mastered one cooking skill he/she can cook everything.
- Children need to learn that the microwave oven is not a toy. See page 28 for Child Lock feature.

Food Safety

- Arrange food carefully. Place thickest areas towards outside of dish.
- Watch cooking time. Cook for the shortest amount of time indicated and add more as needed. Food severely overcooked can smoke or ignite.
- Cover foods while cooking. Check recipe or cookbook for suggestions: paper towels, wax paper, microwave plastic wrap or a lid. Covers prevent spattering and help foods to cook evenly.
- Shield with small flat pieces of aluminum foil any thin areas of meat or poultry to prevent overcooking before dense, thick areas are cooked thoroughly.
- Stir foods from outside to center of dish once or twice during cooking, if possible.
- Turn foods over once during microwaving to speed cooking of such foods as chicken and hamburgers. Large items like roasts must be turned over at least once.
- Rearrange foods such as meatballs halfway through cooking both from top to bottom and from right to left.

IMPORTANT – Please Read and Follow

- Add standing time. Remove food from microwave oven and stir, if possible. Cover for standing time which allows the food to finish cooking without overcooking.
- Check for doneness. Look for signs indicating that cooking temperatures have been reached.

Doneness signs include:

- Food steams throughout, not just at edge.
- Center bottom of dish is very hot to the touch.
- Poultry thigh joints move easily.
- Meat and poultry show no pinkness.
- Fish is opaque and flakes easily with a fork.

Food	Do	Don't
Eggs, sausages, nuts, seeds, fruits & vegetables	<ul style="list-style-type: none"> • Puncture egg yolks before cooking to prevent "explosion". • Pierce skins of potatoes, apples, squash, hot dogs and sausages so that steam escapes. 	<ul style="list-style-type: none"> • Cook eggs in shells. • Reheat whole eggs. • Dry nuts or seeds in shells.
Popcorn	<ul style="list-style-type: none"> • Use specially bagged popcorn for the microwave. • Listen while popping corn for the popping to slow to 1 or 2 seconds or use special Popcorn pad. 	<ul style="list-style-type: none"> • Pop popcorn in regular brown bags or glass bowls. • Exceed maximum time on popcorn package.
Baby food	<ul style="list-style-type: none"> • Transfer baby food to small dish and heat carefully, stirring often. Check temperature before serving. • Put nipples on bottles after heating and shake thoroughly. "Wrist" test before feeding. 	<ul style="list-style-type: none"> • Heat disposable bottles. • Heat bottles with nipples on. • Heat baby food in original jars.

IMPORTANT – Please Read and Follow

Food	Do	Don't
General	<ul style="list-style-type: none"> • Cut baked goods with filling after heating to release steam and avoid burns. • Stir liquids briskly before, during and after heating to avoid "eruption". • Use deep bowl, when cooking liquids or cereals, to prevent boilovers. 	<ul style="list-style-type: none"> • Heat or cook in closed glass jars or air tight containers. • Can in the microwave as harmful bacteria may not be destroyed. • Deep fat fry. • Dry wood, gourds, herbs or wet papers.

Cooking Safety

Check foods to see that they are cooked to the United States Department of Agriculture's recommended temperatures.

Temp	Food
145°F (63°C)	Fish
160°F (71°C)	Pork, ground beef/veal/lamb, egg dishes
165°F (74°C)	For leftover, ready-to-reheat refrigerated, and deli and carry-out "fresh" food. Whole, pieces and ground turkey/chicken/duck.
170°F (74°C)	white meat of poultry.
180°F (74°C)	dark meat of poultry.

To test for doneness, insert a meat thermometer in a thick or dense area away from fat or bone. **NEVER** leave the thermometer in the food during cooking, unless it is approved for microwave use.

- **ALWAYS** use potholders to prevent burns when handling utensils that are in contact with hot food. Enough heat from the food can transfer through utensils to cause skin burns.
- Avoid steam burns by directing steam away from the face and hands. Slowly lift the farthest edge of a dish's covering and carefully open popcorn and oven cooking bags away from the face.

IMPORTANT – Please Read and Follow

- Stay near the microwave oven while it is in use and check cooking progress frequently so that there is no chance of overcooking food.
- **NEVER** use the oven for storing cookbooks or other items.
- Select, store and handle food carefully to preserve its high quality and minimize the spread of foodborne bacteria.
- Keep waveguide cover clean. Food residue can cause arcing and/or fires.
- Use care when removing items from the oven so that the utensil, your clothes or accessories do not touch the safety door latches.

Setting the Clock

Before operating your new microwave oven make sure you read and understand this Use and Care Guide completely.

The following steps **MUST** be taken before any functions can be used.

Before you use the microwave oven:

1. Plug in the microwave oven. **ENJOY YOUR OVEN PRESS CLEAR AND PRESS CLOCK** will appear.
2. Touch the STOP/Clear pad. **:** will appear.
3. Set clock.

To Set The Clock

1. Touch Timer/Clock pad and number **2**.
2. Enter the correct time of day by touching the numbers in sequence.
3. Touch Timer/Clock pad.

This is a 12 hour clock. If you attempt to enter an incorrect clock time, **ERROR** will appear in the display. Touch the STOP/Clear pad and re-enter the time.

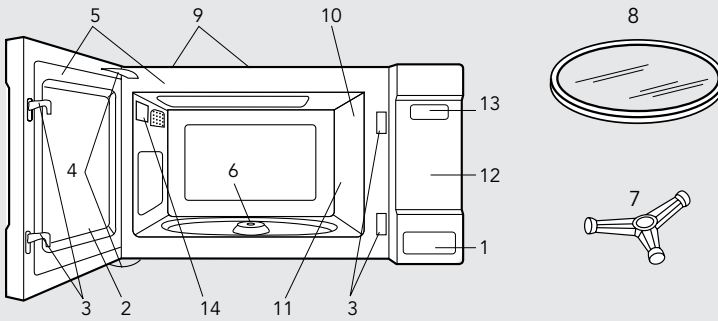
- If the electrical power supply to your microwave oven should be interrupted, the display will intermittently show **ENJOY YOUR OVEN PRESS CLEAR AND PRESS CLOCK** after the power is reinstated. If this occurs during cooking, the program will be erased. The time of day will also be erased. Simply touch STOP/Clear pad and reset the clock for the correct time of day.

STOP/Clear

Touch the STOP/Clear pad to:

1. Erase if you make a mistake during programming.
2. Cancel timer.
3. Stop the oven temporarily during timed cooking.
4. Return the time of day to the display.
5. Cancel a program during cooking, touch twice.

Features



Front View

- | | |
|--|---|
| <p>1 One touch door open button
Push to open door.</p> <p>2 Oven door with see-through window</p> | <p>8 Removable turntable
Place the turntable on the turntable support securely. The turntable will rotate clockwise or counterclockwise. Only remove for cleaning.</p> |
| <p>3 Safety door latches
The oven will not operate unless the door is securely closed.</p> <p>4 Door hinges</p> <p>5 Door seals and sealing surfaces</p> <p>6 Turntable motor shaft</p> <p>7 Removable turntable support
Carefully place the</p> | <p>9 Ventilation openings (Rear)</p> <p>10 Oven light
It will light when oven is operating or door is open.</p> <p>11 Waveguide cover:
DO NOT REMOVE</p> <p>12 Auto-Touch control panel</p> <p>13 Cook and Time display:
99 minutes, 99 seconds</p> <p>14 Rating Label</p> |

! CAUTION

Be careful with the edge of the oven door as it is glass and could chip or break.

Electronic Display

Words in the lower portion of the display will light to indicate what function is in progress.

18 — Power Level | Help — 28

29 — Timer Clock | STOP Clear | START Add-A-Minute — 31

15 —

27 — Hot Water | Sensor Reheat | Keep Warm Plus — 27

21 —

21 — **SENSOR COOK** — 21-22

22 — Baked Potatoes | Popcorn | Fresh Vegetables — 22

22 — Ground Meat | Rice | Fish Seafood — 23

23 — Frozen Entrees | Chicken Breast | Frozen Vegetables — 23

24 — **REHEAT** — 24

24 — Fresh Rolls Muffins | Beverage | Frozen Rolls Muffins — 24

26 — **DEFROST** — 26

26 — Ground Meat | Steaks Chops | Poultry Boneless | Poultry Bone-in — 26

Number next to the control panel illustration indicates pages on which there are feature descriptions and usage information.

Control Panel

Product Controls

Control Panel and Settings

Time Cooking

Your microwave oven can be programmed for 99 minutes 99 seconds (99.99). Always enter the seconds after the minutes, even if they are both zeros.

- **Cook for 5 minutes at 100%**

1. Enter cooking time **5 0 0**.
2. Touch Start/Add-A-Minute pad.

To Set Power Level

There are eleven preset power levels.

Using lower power levels increases the cooking time, which is recommended for foods such as cheese, milk and long slow cooking of meats. Consult a microwave cookbook or recipes for specific recommendations.

- **Defrost for 5 minutes at 30%**

1. Enter defrost time **5 0 0**.
2. Touch Power Level 8 times.
3. Touch START/Add-A-Minute.

Touch Power Level pad number of times for desired power	Approximate percentage of power	Common words for power levels
Power Level x 1	100%	High
Power Level x 2	90%	
Power Level x 3	80%	
Power Level x 4	70%	Medium High
Power Level x 5	60%	
Power Level x 6	50%	Medium
Power Level x 7	40%	
Power Level x 8	30%	Med Low/Defrost
Power Level x 9	20%	
Power Level x 10	10%	Low
Power Level x 11	0%	

Control Panel and Settings

Sensor Settings

Viking's Sensor is a semi-conductor device that detects the vapor (moisture and humidity) emitted from the food as it heats. The sensor adjusts the cooking times and power levels for various foods and quantities.

- After the oven is plugged in, wait 2 minutes before using any sensor setting.
- Be sure the exterior of the cooking container and the interior of the oven are dry. Wipe off any moisture with a dry cloth or paper towel.
- The sensor works with foods at normal storage temperature. For example, popcorn would be at room temperature.
- Any sensor selection can be programmed with More or Less Time Adjustment. See page 30.
- More or less food than the quantity listed in the charts should be cooked following the guidelines in any microwave cookbook.
- During the first part of sensor use, the food name will appear on the display. Do not open the oven or touch STOP/Clear during this part of the cycle. The measurement of vapor will be interrupted. If this occurs, an error message will appear. To continue cooking, touch the STOP/Clear pad and cook manually.

When the sensor detects the vapor emitted from the food, the remainder of cooking/reheating time will appear. The oven may be opened when the remaining time appears on the display. At this time, you may stir or season food, as desired.

- If the sensor does not detect vapor properly when popping popcorn, the oven will turn off, and the time of day will be displayed. If the sensor does not detect vapor properly when cooking other foods, **ERROR** will be displayed, and the microwave will turn off.
- Check food temperature after cooking. If additional time is needed, continue to cook manually.
- Each food has a cooking hint. Touch the Help pad when the HELP indicator is lighted in the display.

Control Panel and Settings

Covering Foods

Some foods work best when covered. Use the cover recommended in the Instant Sensor and Sensor Cook.

- Casserole lid
- Plastic wrap: Use plastic wrap recommended for microwave cooking. Cover dish loosely; allow approximately 1/2 inch to remain uncovered to allow steam to escape. Plastic wrap should not touch food.
- Wax paper: Cover dish completely. Fold excess wrap under dish to secure. If dish is wider than paper, overlap two pieces at least one inch to cover.

Be careful when removing any covering to allow steam to escape away from you.

Sensor Cook

You can cook many foods by touching any Sensor Cook pad. You don't need to calculate cooking time or power level.

- **Sensor Reheat**

1. Touch Sensor Reheat.

When the sensor detects the vapor emitted from the food, remainder of cooking time will appear.

NOTE:

- *Sensor Cook can be programmed with More or Less Time Adjustment. See page 30.*
- *The final result will vary according to the food condition (e.g. initial temperature, shape, quality). Check food for temperature after heating. If additional time is needed, continue to heat manually.*

Control Panel and Settings

Sensor Cook Chart

Food	Amount	Procedure
Sensor Reheat	4 - 36 oz	Place in dish or casserole slightly larger than amount to be reheated. Flatten, if possible. Cover with lid, plastic wrap or wax paper. Use covers such as plastic wrap or lids with larger quantities of more dense foods such as stews. After reheating, stir well, if possible. Re-cover and allow to stand 2 to 3 minutes. Foods should be very hot. If not, continue to heat with variable power and time.
Baked Potatoes	1 - 8 med.	Pierce. Place on paper-towel-lined turntable. After cooking, remove from oven, wrap in aluminum foil and let stand 5 to 10 minutes.
Popcorn	1.5 - 3.5 oz. bag (regular)	Use only popcorn packaged for the microwave. Try several brands to decide which you like. Do not try to pop unpopped kernels.
Fresh vegetables: Broccoli Brussels sprouts Cabbage Cauliflower: flowerets whole Spinach Zucchini Baked apples	soft .25 - 2.0 lb. .25 - 2.0 lb. .25 - 2.0 lb. .25 - 2.0 lb. 1 med. .25 - 1.0 lb. .25 - 2.0 lb. 2 - 4 med.	Wash and place in casserole. Add no water if vegetables have just been washed. Cover with lid for tender vegetables. Use plastic wrap for tender-crisp vegetables. Touch Fresh Vegetables pad. After cooking, stir, if possible. Let stand, covered, for 2 to 5 minutes.

Control Panel and Settings

Sensor Cook Chart

Food	Amount	Procedure															
Fresh vegetables: Carrots, sliced Corn on the cob Green beans Winter squash: diced halves	hard .25 - 1.5 lb. 2 - 4 .25 - 1.5 lb. .25 - 1.5 lb. 1 - 2	Place in casserole. Add 1-4 tbsp water. Cover with lid for tender vegetables. Use plastic wrap cover for tender-crisp vegetables. Touch Fresh Vegetables pad twice. After cooking, stir, if possible. Let stand, covered, for 2 to 5 minutes.															
Ground Meat	.25 - 2.0 lb.	Use this setting to cook ground beef or turkey as patties or in a casserole to be added to other ingredients. Place patties on a microwave-safe rack and cover with wax paper. Place ground meat in a casserole and cover with wax paper or plastic wrap. When microwave stops, turn patties over or stir meat in casserole to break up large pieces. Re-cover and touch START/Add-A-Minute. After cooking, let stand, covered, for 2 to 3 minutes.															
Rice	.5 - 2.0 cups	Place rice into a deep casserole and add double quantity of water. Cover with lid or plastic wrap. After cooking, stir, cover and let stand 3 to 5 minutes or until all liquid has been absorbed. <table border="1" style="margin-top: 10px;"> <thead> <tr> <th>Rice</th> <th>Water</th> <th>Size of casserole</th> </tr> </thead> <tbody> <tr> <td>.5 cup</td> <td>1 cup</td> <td>1.5 quart</td> </tr> <tr> <td>1 cup</td> <td>2 cups</td> <td>2 quart</td> </tr> <tr> <td>1.5 cups</td> <td>3 cups</td> <td>2.5 or 3 quart</td> </tr> <tr> <td>2 cups</td> <td>4 cups</td> <td>3 quart or larger</td> </tr> </tbody> </table>	Rice	Water	Size of casserole	.5 cup	1 cup	1.5 quart	1 cup	2 cups	2 quart	1.5 cups	3 cups	2.5 or 3 quart	2 cups	4 cups	3 quart or larger
Rice	Water	Size of casserole															
.5 cup	1 cup	1.5 quart															
1 cup	2 cups	2 quart															
1.5 cups	3 cups	2.5 or 3 quart															
2 cups	4 cups	3 quart or larger															

Control Panel and Settings

Sensor Cook Chart

Food	Amount	Procedure
Fish/ Seafood	.25 - 2.0 lb.	Arrange in ring around shallow glass dish (roll fillet with edges underneath). Cover with vented plastic wrap. After cooking, let stand, covered for 3 minutes.
Frozen Entrees	6 - 17 oz.	Use this pad for frozen convenience foods. It will give satisfactory results for most brands. You may wish to try several and choose your favorite. Remove package from outer wrapping and follow package directions for covering. After cooking, let stand, covered, for 1-3 minutes.
Chicken Breast	.5 - 2.0 lb.	Cover with vented plastic wrap. When oven stops, turn over. Shield with small, flat pieces of aluminum foil any areas that are cooking too rapidly. Re-cover and touch START/Add-A-Minute. After cooking, let stand, covered 3 to 5 minutes. Chicken should be 165°F.
Frozen vegetables	.25 - 1.5 lb	Do not add water. Cover with lid or plastic wrap. After cooking, stir and let stand, covered, for 3 minutes.

Control Panel and Settings

Reheat

Reheat allows you to heat three of your favorite foods by touching just one pad.

- **Two fresh rolls or muffins**

1. Touch Fresh Rolls/Muffins pad 2 times.
2. The oven starts automatically.

NOTE:

- *To increase quantity, touch chosen pad until number in display is same as desired quantity to cook. Ex: touch Beverage three times for 1.5 cups. More or less food than the quantity listed in the chart should be heated following the guidelines in any microwave cookbook.*
- *Reheat can be programmed with More or Less Time Adjustment. See page 30.*
- *The final result will vary according to the food condition (e.g. initial temperature, shape, quality). Check food for temperature after heating. If additional time is needed, continue to heat manually.*

Reheat Chart

Food	Amount	Procedure
Fresh Rolls/ Muffins	1 - 10 pcs	Use this pad to warm rolls, muffins, biscuits, bagels etc. Large items should be considered as 2 or 3 regular size. Arrange on plate; cover with paper towel. For refrigerated rolls or muffins, it may be necessary to double the entered amount to ensure the proper serving temperature. For example, enter quantity of 2 for 1 refrigerated muffin.
Beverage	.5 - 2.0 cups	This setting is good for restoring cooled beverage to a better drinking temperature. Stir liquid briskly before and after heating to avoid "eruption". Touch Beverage pad. Press the pad for amount (cups). 1 time 0.5 3 times..... 1.5 2 times..... 1.0 4 times..... 2.0
Frozen Rolls/ Muffins	1 - 10 pcs	Use this pad to warm frozen rolls, muffins, biscuits, bagels etc. Large items should be considered as 2 or 3 regular size. Arrange on plate; cover with paper towel.

Control Panel and Settings

Defrost

Defrost automatically defrosts all the foods shown in the Defrost Chart.

Round the weight to the nearest half pound. (Ex: if the steak's actual weight is 2.2 lb. round to 2.0 lb. If the steak's weight is 2.4 lb. round to 2.5 lb.).

To enter weight, touch the desired Defrost pad for a 0.5 lb increase per touch. (Ex: touch four times for 2.0 lb.)

- **Steak (2.0 lbs)**

1. Touch Steaks/Chops pad 4 times for 2.0 lb. The oven will start automatically. The oven will stop and directions will be displayed.
2. After the first stage, open the door, turn steak over and shield any warm portions. Close the door. Touch START/Add-A-Minute pad.
3. After the second stage, open the door. Shield any warm portions. Close the door. Touch START/Add-A-Minute pad.
4. After defrost cycle ends, cover and let stand as indicated in the chart below.

NOTE:

- Any Defrost choice can be programmed with More or Less Time Adjustment. Touch the Power Level pad once or twice after selecting the amount. See page 30.
- To defrost other foods or foods above or below the weights allowed on the Defrost Chart, use time and 30% power. See Manual Defrost on page 26.
- If you attempt to enter more or less than the allowed amount as indicated in the chart below and on page 26, **ERROR** will appear in the display.
- You may choose to enter the weight in tenths of pounds. This procedure may be easier with larger weights, such as 3 pounds, because it requires fewer touches. To program, touch desired Defrost pad and enter weight by touching the number pads. Ex: touch Steaks/Chops then 3 and 0 for a weight of three pounds or touch Steaks/Chops then 2 and 2 for a weight of 2.2 lb.

Defrost Chart

Food	Amount	Procedure
Ground Meat	.5 - 2.0 lb.	Pull apart and remove any thawed pieces after each stage. Let stand, covered, for 5 to 10 minutes.

Control Panel and Settings

Defrost Chart (cont.)

Food	Amount	Procedure
Steaks/ Chops	.5 - 3.0 lb.	After each stage, rearrange and if there are warm or thawed portions, shield with small flat pieces of aluminum foil. Remove any meat or fish that is nearly defrosted. Let stand, covered, for 10 to 20 minutes.
Poultry - Boneless	.5 - 2.0 lb.	Use boneless breast of chicken or turkey. After each stage, if there are warm or thawed portions, rearrange or remove. Let stand, covered, for 10 to 20 minutes.
Poultry - Bone-in	.5 - 3.0 lb.	Arrange pieces with meatiest portions toward outside of glass dish or microwave safe rack. After each stage, if there are warm or thawed portions, rearrange or remove. Let stand, covered, for 10 to 20 minutes.

NOTE:

- Check foods when oven signals. After final stage, small sections may still be icy. Let stand to continue thawing. Do not defrost until all ice crystals are thawed.
- Shielding prevents cooking from occurring before the center of the food is defrosted. Use small smooth strips of aluminum foil to cover edges and thinner sections of the food.

Manual Defrost

If the food that you wish to defrost is not listed on the Defrost Chart or is above or below the limits in the amount column on the Defrost Chart, you need to defrost manually.

You can defrost any frozen food, either raw or previously cooked, by using Power Level at 30%. Follow the exact 3-step procedure found under To Set Power Level on page 18. Estimate defrosting time and Touch Power Level pad eight times for 30% power.

For either raw or previously cooked frozen food the rule of thumb is approximately 4 minutes per pound. For example, defrost 4 minutes for 1 pound of frozen spaghetti sauce.

Always stop the oven periodically to remove or separate the portions that are defrosted. If food is not defrosted at the end of the estimated defrosting time, program the oven in 1 minute increments on Power Level 30% until totally defrosted.

When using plastic containers from the freezer, defrost only long enough to remove from the plastic in order to place in a microwave-safe dish.

Control Panel and Settings

Keep Warm Plus

Keep Warm Plus allows you to keep food warm up to 30 minutes.

Direct use

- **Soup (1 cup) for 15 minutes**

1. Touch Keep Warm Plus pad.
2. Enter desired time by touching the number pads **1|5|0|0**.
3. Touch Start/Add-A-Minute pad.

The oven will start. The display will show **15:00** and count down. **KEEP** **WARM** will be displayed intermittently during the count down.

With Manual Cooking

- **Soup (1 cup)** - cook for 2 minutes at 70% and keep the soup warm for 15 minutes.

1. Enter desired cooking time **2|0|0**.
2. Touch Power Level pad 4 times for 70% power.
3. Touch Keep Warm Plus pad.
4. Enter desired warming time **1|5|0|0**.
5. Touch START/Add-A-Minute pad.

The operation will start. When the cooking time is complete, a long tone will sound and Keep Warm Plus will start. The display will count down for 15 minutes and **KEEP** **WARM** will be displayed during the countdown.

NOTE:

- *Keep Warm Plus cannot be programmed with Sensor Cook, Reheat, Defrost and Hot Water.*

Hot Water

Hot Water heats 1 to 6 cups of tap water to prepare coffee, tea, bouillon and instant soup as well as heat the water to cook pasta. When preparing individual cups, place instant coffee, tea or bouillon in cup and stir before heating. Allow to stand 20 seconds after heating before stirring and drinking. Stir carefully after removing from the oven. When heating 4 to 6 cups of water, place in large casserole and cover with lid or plastic wrap. When oven signals, add pasta and continue cooking according to package directions. Touch Hot Water pad once for each cup up to 6.

- **Water (3 cups)**

1. Touch Hot Water pad 3 times.

Control Panel and Settings

Help

Help provides 4 features that make using your oven easy because specific instructions are provided in the interactive display.

1. Child Lock

The Child Lock prevents unwanted oven operation such as by small children. The oven can be set so that the control panel is deactivated or locked. To set, touch Help, the number **1** and then touch the START/Add-A-Minute pad. Should a pad be touched, **CHILD** **LOCK ON** will appear in the display.

To cancel, touch Help and STOP/Clear pad.

2. Audible Signal Elimination

If you wish to have the oven operate with no audible signals, touch Help, the number **2** and touch STOP/Clear.

To cancel and restore the audible signal, touch Help, the number **2** and touch START/Add-A-Minute.

3. Auto Start

If you wish to program your oven to begin cooking automatically at a designated time of day, follow this procedure:

- **Stew** - cook for 20 minutes on 50% at 4:30. Before setting, check to make sure the clock is showing the correct time of day.
 1. Touch Help pad.
 2. Touch number **3**.
 3. Enter the start time **4****3****0**.
 4. Touch Timer/Clock pad.
 5. Enter cooking time **2****0****0****0** and touch Power Level pad 6 times for 50% power.
 6. Touch START/Add-A-Minute pad.

NOTE:

- *Auto Start can be used for manual cooking if clock is set.*
- *If the oven door is opened after programming Auto Start, it is necessary to touch the START/Add-A-Minute pad for Auto Start time to appear in the readout so that the oven will automatically begin programmed cooking at the chosen Auto Start time.*
- *Be sure to choose foods that can be left in the oven safely until the Auto Start time. Acorn or butternut squash are often a good choice.*

Control Panel and Settings

4. Language / Weight Selection

The oven comes set for English and U.S. Customary Unit-pounds. To change, touch Help and the number **4**. Continue to touch the number **4** until your choice is selected from the table below. Then, touch START/Add-A-Minute.

Touch number **4** for language and standard of weight.

Number	Language	Standard Of Weight
Once	English	LBS
Twice	English	KG
3 times	Spanish	LBS
4 times	Spanish	KG
5 times	French	LBS
6 times	French	KG

Help (In the display)

Each setting of Sensor Cook, Reheat, Hot Water, Keep Warm Plus and Defrost has a cooking hint. If you wish to check, touch Help whenever HELP is lighted in the display for these and other manual operation hints.

Demonstration Mode

To demonstrate, touch Timer/Clock, the number **0** and then touch the START/Add-A-Minute pad and hold for three seconds. **DEMO ON** will appear in the display. Cooking operations and specific special features can now be demonstrated with no power in the oven. For example, touch START/Add-A-Minute pad and the display will show **1:00** and count down quickly to **END**.

To cancel, touch Timer/Clock, the number **0** and STOP/Clear pads. If easier, unplug the oven from the electrical outlet and replug.

Timer

• 3-minute long distance phone call

1. Touch Timer/Clock and number **1** pads.
2. Enter the time.
3. Touch Timer/Clock pad.

Control Panel and Settings

Multiple Sequence Cooking

Your microwave oven can be programmed for up to 4 automatic cooking sequences, switching from one power level setting to another automatically.

Sometimes cooking directions tell you to start on one power level and then change to a different power level. Your microwave oven can do this automatically.

- **Roast beef** - cook for 5 minutes at 100% and then continue to cook for 30 minutes at 50%.
1. First enter cooking time. **5|0|0** Then touch Power Level pad once for 100% power.
 2. Enter second cooking time. **3|0|0|0** Touch Power Level pad 6 times for 50% power.
 3. Touch START/Add-A-Minute pad.

NOTE:

- *If 100% is selected as the final sequence, it is not necessary to touch the Power Level pad.*

More or Less Time Adjustment

Should you discover that you like any of the Sensor Reheat, Sensor Cook, Reheat or Defrost settings slightly **more** done, touch the Power Level pad once after touching your choice of pads or before touching START/Add-A-Minute pad. The display will show **MORE**.

Should you discover that you like any of the Sensor Reheat, Sensor Cook, Reheat or Defrost settings slightly **less** done, touch the Power Level pad twice after touching your choice of pads. The display will show **LESS**.

The Power Level pad must be touched within 1 second of touching your choice of pads.

Control Panel and Settings

Add-A-Minute

Add-A-Minute allows you to cook for a minute at 100% by simply touching the a START/Add-A-Minute pad. You can also extend cooking time in multiples of 1 minute by repeatedly touching the START/Add-A-Minute pad during manual cooking.

- **Soup (1 cup)**

1. Touch START/Add-A-Minute pad.

NOTE:

- *To use Add-A-Minute, touch pad within 3 minutes after cooking, closing the door, touching the STOP/Clear pad or during cooking.*
- *Add-A-Minute cannot be used with Sensor Cook, Defrost, Reheat or Hot Water settings.*

Cleaning and Maintenance

Any piece of equipment works better and lasts longer when maintained properly and kept clean. Cooking equipment is no exception. Your Microwave Oven must be kept clean and maintained properly.

Disconnect the power cord before cleaning or leave the door open to inactivate the oven during cleaning.

Oven Surfaces

The outside surface is precoated metal and plastic. Clean the outside with mild soap and water; rinse and dry with a soft cloth. Do not use any type of household or abrasive cleaner. Metal parts will be easier to maintain if wiped frequently with a damp cloth. Avoid the use of spray and other harsh cleaners as they may stain, streak or dull the door surface.

Interior

Cleaning is easy because little heat is generated to the interior surfaces; therefore, there is no baking and setting of spills or spattering. To clean the interior surfaces, wipe with a soft cloth and warm water. **DO NOT USE ABRASIVE OR HARSH CLEANERS OR SCOURING PADS.** For heavier soil, use baking soda or a mild soap; rinse thoroughly with hot water. **NEVER SPRAY OVEN CLEANERS DIRECTLY ONTO ANY PART OF THE OVEN.**

Glass Surfaces

Be careful with the edge of the oven door as it is glass and could chip or break. Wipe the window on both sides with a damp cloth to remove any spills or spatters.

Stainless Steel Parts

The exterior should be wiped often with a soft damp cloth and polished with a soft dry cloth to maintain its beauty. There are also a variety of products designed especially for cleaning and shining the stainless exterior of the oven. We recommend that the cleaner be applied to a soft cloth and then carefully used on the stainless exterior rather than sprayed directly on to it. Follow package directions carefully.

Cleaning and Maintenance

Control Panel

Care should be taken in cleaning the touch control panel. If the control panel becomes soiled, open the oven door before cleaning. Wipe the panel with a cloth dampened slightly with water only. Dry with a soft cloth. Do not scrub or use any sort of chemical cleaners. Close door and touch STOP/Clear.

Odor Removal

Occasionally, a cooking odor may remain in the oven. To remove, combine 1 cup water, grated peel and juice of one lemon and several whole cloves in a 2-cup glass measuring cup. Boil for several minutes using 100% power. Allow to set in the microwave until cool. Wipe interior with a soft cloth.

Turntable/Turntable Support

The turntable and turntable support can be removed for easy cleaning. Wash them in mild, sudsy water; for stubborn stains use a mild cleanser and non-abrasive scouring sponge. They are also dishwasher-proof. Use upper rack of dishwasher. The turntable motor shaft is not sealed, so excess water or spills should be wiped up immediately.

Waveguide Cover

The waveguide cover is located on the right side wall of the oven cavity. It is made from mica so requires special care. Keep the waveguide cover clean to assure good oven performance. Carefully wipe with a damp cloth any food spatters from the surface of the cover immediately after they occur. Built-up splashes may overheat and cause smoke or possibly catch fire. **DO NOT REMOVE THE WAVEGUIDE COVER.**

Troubleshooting

Please check the following before calling for service:

Place one cup of water in a glass measuring cup in the oven and close the door securely.

Operate the oven for one minute at HIGH 100%.

- A. Does the oven light come on? YES _____ NO _____
- B. Does the cooling fan work? (Put your hand over the left side of louver.) YES _____ NO _____
- C. Does the turntable rotate? (It is normal for the turntable to turn in either direction.) YES _____ NO _____
- D. Is the water in the oven warm? YES _____ NO _____

If "NO" is the answer to any of the above questions, please check electrical outlet, fuse and/or circuit breaker. If they are functioning properly, CONTACT YOUR NEAREST VIKING AUTHORIZED SERVICER.

A Microwave Oven should never be serviced by a "do-it-yourself" repair person.

NOTE:

If time appearing in the display is counting down very rapidly, check Demonstration Mode on page 29 and cancel.

Service Information

If service is required, call your dealer or authorized service agency. The name of the authorized service agency can be obtained from the dealer or distributor in your area.

Have the following information readily available:

- Model number
- Serial number
- Date purchased
- Name of dealer from whom purchased

Clearly describe the problem that you are having. If you are unable to obtain the name of an authorized service agency, or if you continue to have a service problem, contact Viking Range Corporation at 1-888-VIKING (845-4641) or write to:

VIKING RANGE CORPORATION
PREFERRED SERVICE
1803 Hwy 82W
Greenwood, Mississippi 38930 USA

Record the information indicated below. You will need it if service is ever required. The model and serial number for your oven are located on the left side of the oven cavity on an identification label.

Model Number _____ Serial Number _____

Date of Purchase _____ Date Installed _____

Dealer's Name _____

Address _____

If service requires installation of parts, use only authorized parts to ensure protection under the warranty.

KEEP THIS MANUAL FOR FUTURE REFERENCE

Warranty

D3 Microwave Oven Warranty

THREE YEAR FULL WARRANTY

All Viking D3 Microwave Ovens and all of their component parts, except as detailed below†, are warranted to be free from defective materials or workmanship in normal residential use for a period of three (3) years from the date of original retail purchase or closing date for new construction, whichever period is longer. Viking Range Corporation, warrantor, agrees to repair or replace, at its option, any part which fails or is found to be defective during the warranty period.

* **FULL NINETY (90) DAY COSMETIC WARRANTY:** Product is warranted to be free from cosmetic defects in materials or workmanship (such as scratches on stainless steel, paint/porcelain blemishes, etc.) for a period of ninety (90) days from the date of original retail purchase or closing date for new construction, whichever period is longer. Any defects must be reported to the selling dealer within ninety (90) days from date of original retail purchase. Viking range corporation uses high quality processes and materials available to produce all color finishes. However, slight color variation may be noticed because of the inherent differences in painted parts and porcelain parts as well as differences in kitchen lighting, product locations, and other factors. Therefore, this warranty does not apply to color variation attributable to such factors.

† **FULL NINETY (90) DAY WARRANTY IN "RESIDENTIAL PLUS" APPLICATIONS:** This full warranty applies to applications where use of the product extends beyond normal residential use, but the warranty period for products used in such applications is ninety (90) days. Examples of applications covered by this warranty are bed and breakfasts, fire stations, private clubs, churches, yachts, etc. Under this "Residential Plus" warranty, the product, its components and accessories are warranted to be free from defective material or workmanship for a period of ninety (90) days from the date of original retail purchase. This warranty excludes use of the product in all commercial locations such as restaurants, food service locations and institutional food service locations.

FIVE YEAR LIMITED WARRANTY

If the magnetron tube fails due to defective materials or workmanship in normal household use during the second through fifth year from the date of original retail purchase it will be repaired or replaced, free of charge for the part itself, with the owner paying all other costs, including labor.

TERM AND CONDITIONS

This warranty extends to the original purchaser of the product warranted hereunder and to each transferee owner of the product during the term of the warranty and applies to products purchased and located in the United States and Canada. Products must be purchased in the country where service is requested. If the product or one of its component parts contains a defect or malfunction during the full warranty period after a reasonable number of attempts by the warrantor to remedy the defect or malfunction, the owner is entitled to either a refund or replacement of the product or its component part or parts. Replacement of a component part includes its free installation, except as specified under the limited warranty. Under the terms of this warranty, service must be performed by a factory authorized Viking Range Corporation service agent or representative. Service will be provided during normal business hours, and labor performed at overtime or premium rates shall not be covered by this warranty.

Owner shall be responsible for proper installation, providing reasonable and necessary maintenance, providing proof of purchase upon request, and making the appliance reasonably accessible for service. The return of the Owner Registration Card is not a condition of warranty coverage. You should, however, return the Owner Registration Card so that Viking Range Corporation can contact you should any question of safety arise which could affect you.

This warranty gives you specific legal rights, and you may also have other rights which may vary from jurisdiction to jurisdiction.

WHAT IS NOT COVERED BY THIS WARRANTY: This warranty shall not apply to damage resulting from abuse, failure to provide reasonable and necessary maintenance, accident, delivery, negligence, natural disaster, loss of electrical power to the product for any reason, alteration, outdoor use, improper installation, improper operation, or repair or service of the product by anyone other than an authorized Viking Range Corporation service agency or representative. This warranty does not apply to commercial usage.

LIMITATION OF REMEDIES AND DURATION OF IMPLIED WARRANTY

OWNER'S SOLE AND EXCLUSIVE REMEDY FOR A CLAIM OF ANY KIND WITH RESPECT TO THIS PRODUCT SHALL BE THE REMEDIES SET FORTH ABOVE. VIKING IS NOT RESPONSIBLE FOR CONSEQUENTIAL OR INCIDENTAL DAMAGE, INCLUDING BUT NOT LIMITED TO FOOD OR MEDICINE LOSS, DUE TO PRODUCT FAILURE, WHETHER ARISING OUT OF BREACH OF WARRANTY, BREACH OF CONTRACT OR OTHERWISE. Some jurisdictions do not allow the exclusion or limitation of incidental or consequential damages, so the above limitation or exclusions may not apply to you. **ANY IMPLIED WARRANTIES OF MERCHANTABILITY OR FITNESS FOR A PARTICULAR PURPOSE APPLICABLE TO THIS PRODUCT ARE LIMITED IN DURATION TO THE PERIOD OF COVERAGE OF THE APPLICABLE EXPRESS WRITTEN LIMITED WARRANTIES SET FORTH ABOVE.** Some states do not allow limitations on how long an implied warranty lasts, so the above limitation may not apply to you.

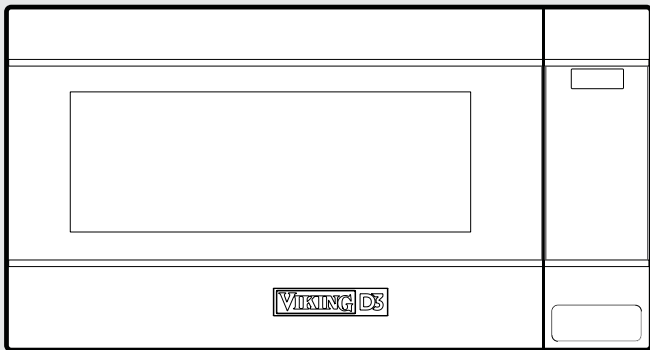
WARRANTY SERVICE

To obtain warranty service, contact an authorized Viking Range Corporation service agent, or Viking Range Corporation, 111 Front Street, Greenwood, Mississippi 38930, (888) 845-4641. Provide model and serial number and date of original purchase or closing date for a new construction. For the name of your nearest authorized Viking Range Corporation service agency, call Viking Range Corporation.

IMPORTANT: Retain proof of original purchase to establish warranty period.

Specifications subject to change without notice.

Viking Manual de Uso y Cuidado



D3 Horno Microondas

Felicitaciones

Felicitaciones y bienvenido al exclusivo mundo de los propietarios de productos Viking. Esperamos que disfrute y aprecia el cuidado y la atención que hemos brindado a cada detalle de su nuevo y ultramoderno Horno de Microondas.

Su Horno de Microondas de Viking está diseñado para ofrecerle años de servicio confiable. La Guía de uso y cuidado le brindará la información que necesita para familiarizarse con el cuidado y operación de su Microondas con campana para empotrado

Su completa satisfacción es nuestro objetivo principal. Si tiene alguna pregunta o comentario sobre este producto, comuníquese con el distribuidor donde adquirió el producto, o comuníquese con nuestro Centro de atención al cliente al 1-888-VIKING1.

Agradecemos su preferencia por un Horno de Microondas de Viking y esperamos que nuevamente elija nuestros productos para sus otras necesidades importantes en cuanto a hornos.

Para mayor información sobre la completa y creciente selección de productos Viking, comuníquese con su distribuidor o visítenos en Internet en vikingrange.com.

Tabla de Contenido

Para comenzar	1
Advertencias	2
Instrucciones de seguridad importantes	3
Importante—Lea y siga las instrucciones	6
Instrucciones para conexión a tierra	6
Sobre su horno de microondas	7
Ajuste del reloj	13
Para configurar el reloj	13
Stop/Clear (Parar/Borrar)	13
Controles del producto	14
Características	14
Pantalla electrónica	15
Operación	16
Panel de control y ajustes	16
Tiempo de cocción	16
Para fijar el nivel de potencia	16
Ajustes del sensor	17
Envoltura de alimentos	18
Sensor Cook (Sensor de cocción)	18
Reheat (Recalentar)	23
Defrost (Descongelar)	24
Descongelamiento manual	25
Keep Warm Plus (Conservar caliente)	26
Hot Water (Agua caliente)	27
Help (Ayuda)	28
Help (Ayuda - Indicador en pantalla)	29
Modo de demostración	29
Timer (Temporizador)	30
Cocción en múltiples secuencias	30
Mayor o menor ajuste de tiempo	30
Add-A-Minute (Añadir-A-Minuto)	31

Tabla de Contenido

Cuidado del producto _____	32
Limpieza y mantenimiento _____	32
Superficies del horno _____	32
Interior _____	32
Superficies de vidrio _____	32
Superficie de acero inoxidable _____	32
Panel de control táctil _____	33
Eliminación de olores _____	33
Plato giratorio/Soporte del plato giratorio__	33
Cubierta de la guía de onda _____	33
Localización de fallas _____	34
Información de servicio _____	35
Garantía _____	36

Advertencias

Las Advertencias e Instrucciones importantes de seguridad que aparecen en este manual no pretenden incluir todas las condiciones y situaciones posibles que puedan ocurrir. Se debe emplear el sentido común y tener precauciones y cuidado al instalar, dar mantenimiento o hacer funcionar el artefacto.

SIEMPRE comuníquese con el fabricante sobre los problemas o condiciones que no comprenda.

Reconozca los símbolos, palabras y etiquetas de seguridad

⚠ PELIGRO
Peligros o prácticas no seguras que OCASIONARÁN lesiones personales graves o la muerte
⚠ ADVERTENCIA
Peligros o prácticas no seguras que PODRÍAN OCASIONAR la muerte o lesiones personales graves
⚠ ADVERTENCIA
Peligros o prácticas no seguras que PODRÍAN OCASIONAR lesiones personales leves o daños a la propiedad.
Todos los mensajes de seguridad identificarán el peligro, le informarán cómo reducir la eventualidad de una lesión y le dirán lo que puede suceder si no cumple las instrucciones.

Lea y siga todas las instrucciones antes de usar este artefacto para prevenir el riesgo potencial de incendio, choque eléctrico, lesiones personales o daños al artefacto como resultado del uso incorrecto del artefacto. Use el artefacto sólo para el uso destinado como se describe en este manual.

Para asegurar la operación correcta y segura: El artefacto debe ser instalado y puesto a tierra correctamente por un técnico calificado. **NO** intente ajustar, reparar, dar servicio o reemplazar ninguna parte de su artefacto a menos que esté específicamente recomendado en este manual. Las demás reparaciones deben ser realizadas por un técnico calificado.

Advertencias

PRECAUCIONES PARA EVITAR POSIBLES EXPOSICIONES AL EXCESO DE ENERGÍA DEL MICROONDAS

- (a) No trate de operar este horno con la puerta abierta ya que la operación puede provocar una exposición perjudicial a la energía del microondas. No altere o manipule indebidamente los interbloques de seguridad.
- (b) No coloque ningún objeto entre la parte frontal del horno y la puerta, ni deje que se acumulen residuos de limpiadores o suciedad en las superficies del cierre hermético.
- (c) No opere el microondas si está dañado. Es particularmente importante que la puerta del horno cierre apropiadamente y que no hayan daños en: (1) puerta (inclinación), (2) bisagras y pestillos (rotos o flojos), (3) sellos de la puerta y superficies de cierre hermético.
- (d) El horno sólo debe ser ajustado o reparado por el personal de servicio calificado apropiado.

ADVERTENCIA



El uso inapropiado del enchufe con toma a tierra puede causar una descarga eléctrica.

INSTRUCCIONES DE SEGURIDAD IMPORTANTES

Al usar artefactos eléctricos deben tomarse precauciones de seguridad básicas, incluyendo las siguientes:

ADVERTENCIA - Para reducir el riesgo de quemaduras, choque eléctrico, incendios, lesiones a personas o exposición al exceso de energía del microondas:

- Lea todas las instrucciones antes de usar el artefacto.
- Lea y siga las "PRECAUCIONES PARA EVITAR LA POSIBLE EXPOSICIÓN AL EXCESO DE ENERGÍA DEL MICROONDAS" en la página 2.
- Este aparato debe conectarse a tierra. Conecte únicamente a un tomacorriente puesto a tierra adecuadamente. Vea "INSTRUCCIONES PARA CONEXIÓN A TIERRA" en la página 6.
- Instale o coloque este artefacto sólo de acuerdo a las instrucciones de instalación proporcionadas.
- Algunos productos como huevos enteros y recipientes sellados—por ejemplo, frascos de vidrio cerrados—pueden explotar y no deben ser calentados en este horno.
- Use este artefacto sólo para el uso previsto como se describe en este manual. No use productos químicos ni vapores corrosivos en este artefacto. Este tipo de horno está diseñado específicamente para calentar, cocinar o deshidratar los alimentos. No está diseñado para uso industrial o de laboratorio.
- Como cualquier artefacto, deberá ser supervisado cuando lo usen los niños.
- Para reducir el riesgo de incendio en la cavidad del horno:
 - No cocine demasiado los alimentos. Esté atento cuando coloque papeles, plástico u otro material combustible dentro del horno para facilitar la cocción.
 - Retire los sujetadores de las bolsas de papel o de plástico antes de colocarlas en el horno.
 - Si los materiales dentro del horno empiezan a arder, mantenga cerrada la puerta del horno, apáguelo y

INSTRUCCIONES DE SEGURIDAD IMPORTANTES

desconecte el cable de alimentación o desconecte la energía en la caja de fusibles o en el panel del interruptor automático.

- No use la cavidad para almacenar objetos. No deje productos de papel, utensilios de cocina o alimentos en la cavidad cuando no lo use.
- No haga funcionar este artefacto si el cable de energía o enchufe están dañados, si no funciona apropiadamente o si tiene daños o se ha caído.
- Este artefacto debe recibir servicio sólo del personal de servicio calificado. Comuníquese con el Personal de servicio autorizado de Fulgor para una evaluación, reparación o ajuste.
- No cubra ni bloquee ninguna ranura del artefacto.
- No guarde ni use este artefacto en exteriores. No use este producto cerca del agua—por ejemplo, cerca del fregadero de la cocina, de una base mojada, de piscinas o lugares similares.
- No sumerja el cable de energía o enchufe en el agua.
- Mantenga el cable alejado de superficies calientes.
- No cuelgue el cable sobre el borde de la mesa o mostrador.
- Vea las instrucciones para limpiar la superficie de la puerta en la página 33.
- No monte sobre un fregadero.
- No guarde nada directamente sobre la superficie del aparato, cuando el aparato está en funcionamiento.

INSTRUCCIONES DE SEGURIDAD IMPORTANTES

- Los líquidos, como agua, café o té pueden sobrecalentarse más allá del punto de ebullición sin que pueda notarse que están hirviendo. No siempre habrá burbujas o vapor de ebullición visibles al retirar el recipiente del horno microondas. **ESTO PUEDE CAUSAR UN DERRAME IMPREVISTO DE LÍQUIDOS DEMASIADO CALIENTES AL INTRODUCIR UNA CUCHARA U OTRO UTENSILIO EN EL LÍQUIDO.**

Para reducir el riesgo de lesiones a personas:

- No sobrecaliente el líquido.
 - Revuelva el líquido antes y durante el calentamiento.
 - No use un recipiente de paredes rectas y cuello angosto. Use un recipiente de boca ancha.
 - Después de calentar, deje el recipiente en el horno microondas por lo menos 20 segundos antes de retirarlo.
 - Tenga extremo cuidado al insertar una cuchara u otro utensilio en el recipiente.
- Si la lámpara del horno microondas falla o deja de funcionar, llamar a un **PROVEEDOR DE SERVICIO AUTORIZADO DE VIKING.**

GUARDE ESTAS INSTRUCCIONES

IMPORTANTE—Lea y siga las instrucciones

INSTRUCCIONES PARA CONEXIÓN A TIERRA

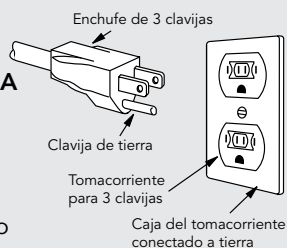
Este aparato se debe poner a tierra. En caso que se produzca un cortocircuito eléctrico, la conexión a tierra reduce el riesgo de descarga eléctrica proporcionando una vía de escape para la corriente eléctrica. Este horno está equipado con un cable que tiene un alambre y un enchufe con toma a tierra. Éste se debe conectar en un tomacorriente de pared instalado y conectado a tierra apropiadamente de acuerdo con el Código Eléctrico Nacional y los códigos y reglamentos locales.

⚠ ADVERTENCIA

El uso inapropiado del enchufe con toma a tierra puede causar una descarga eléctrica.

Requisitos eléctricos

El horno está equipado con un enchufe con toma a tierra de tres clavijas. **BAJO NINGUNA CIRCUNSTANCIA CORTE O RETIRE LA CLAVIJA DE TIERRA DEL ENCHUFE. NO UTILICE EXTENSIONES DE CABLE.** Si el cable de alimentación es demasiado corto, haga que un electricista o mecánico calificado instale un tomacorriente cerca del artefacto.



El cable de alimentación y el enchufe deben conectarse a un tomacorriente conectado a tierra en circuito independiente de 120 voltios CA, 60 Hz, 15 amperios o más. El tomacorriente debe estar ubicado dentro del gabinete directamente encima de la ubicación del horno microondas como se muestra.

NOTAS:

- Si tiene alguna pregunta sobre las instrucciones eléctricas o de conexión a tierra, consulte a un electricista calificado o al encargado de brindar el servicio.
- Viking y el distribuidor no aceptan ninguna responsabilidad por los daños al horno o las lesiones personales causadas por no seguir los procedimientos de conexión eléctrica correctos.

Interferencia en la radio o televisión

Si hay interferencia causada por el horno microondas en su radio o TV, revise que el horno tenga un circuito eléctrico diferente, aleje la radio

IMPORTANTE—Lea y siga las instrucciones

o TV del horno lo más que pueda o revise la posición y señal de la antena de recepción.

SOBRE SU HORNO DE MICROONDAS

NUNCA use el horno sin el plato giratorio ni el soporte ni dé vuelta al plato giratorio para colocar un plato grande en el horno. El plato giratorio girará en sentido horario y antihorario.

SIEMPRE coloque alimentos dentro del horno durante su operación para que absorban la energía del microondas.

Al usar el horno con niveles de potencia por debajo del 100%, usted podría escuchar que el magnetrón se enciende y apaga. Es normal que la parte exterior del horno esté caliente al tacto cuando cocina o recalienta.

La condensación es una parte normal de la cocción con microondas.

La humedad ambiental y la humedad en la comida influirán en la cantidad de humedad que se condense en el horno. Generalmente, los alimentos cubiertos no producirán tanta condensación como los no cubiertos. No bloquee las ranuras de ventilación.

El uso del microondas se limita únicamente a la preparación de los alimentos. No debe usarse para secar ropa o periódicos.

Su Horno microondas tiene una capacidad de 1100 vatios haciendo uso del Procedimiento de prueba IEC. **Al seguir instrucciones de recetas o de productos envasados, verifique los alimentos uno o dos minutos antes del tiempo mínimo y aumente tiempo según corresponda.**

Seguridad con los utensilios

- Utilice agarraderas resistentes y secas. Las agarraderas húmedas podrían causar quemaduras debido al vapor. Los paños de cocina u otros sustitutos **NUNCA** deben ser utilizados como agarradas porque pueden rozar los elementos de la superficie caliente y encenderse o quedar atrapados en las piezas del artefacto.
- **NO** caliente recipientes con alimentos sin abrir; la acumulación de presión podría causar que el recipiente explote y ocasione una lesión.
- Tenga cuidado al abrir la puerta del microondas. Permita que el aire caliente o vapor escape antes de retirar o reemplazar los alimentos.
- **ADVERTENCIA SOBRE ALIMENTOS PREPARADOS:** Siga las instrucciones del fabricante del alimento. Si el recipiente plástico de un alimento congelado y su cubierta se deforman o dañan de alguna manera durante la cocción, deseche de inmediato el alimento y su recipiente. El alimento podría estar contaminado.

No es necesario comprar utensilios nuevos. Usted puede usar la mayoría de artículos de su cocina en su nuevo horno de microondas. Asegúrese de que los utensilios no toquen las paredes internas durante la cocción.

IMPORTANTE—Lea y siga las instrucciones

Use estos utensilios para una cocción y un recalentamiento seguros en el microondas:

- vitrocerámica (Pyroceram®), como Corningware®.
- Vidrio resistente al calor (Pyrex®)
- plásticos resistentes al microondas
- platos de papel
- cerámica, cerámica de gres y porcelana
- fuentes (sin exceder el tiempo de precalentamiento recomendado. Siga las instrucciones del fabricante.)

Estos artículos pueden ser usados para un corto tiempo de recalentamiento de alimentos con poca grasa o azúcar:

- madera, paja, mimbre

NO UTILICE

- sartenes y utensilios para hornear de metal
- platos con borde metálico
- vidrio no resistente al calor
- plásticos que no resistan las microondas (recipiente de margarina)
- productos de papel reciclado
- bolsas de papel marrón
- bolsas para conservar alimentos
- sujetadores de metal
- metal twist-ties

Si desea verificar si un plato es seguro para uso en el microondas, coloque el plato vacío en el horno y hágalo funcionar durante 30 segundos en HIGH. Si el plato se calienta demasiado no debe ser usado.

Las siguientes envolturas son ideales:

- Las toallas de papeles son ideales para envolver los alimentos al recalentarlos y absorber la grasa al cocinar tocino.
- El papel encerado puede ser usado para cocinar y recalentar.
- La película plástica que está especialmente diseñada para uso en microondas puede usarse para la cocción y recalentamiento. **NO** deje que la película plástica toque los alimentos. Haga agujeros para que el vapor pueda salir.
- Las tapas que pueden usarse en el microondas son una buena opción ya que aíslan el calor de los alimentos para acelerar la cocción.

IMPORTANTE—Lea y siga las instrucciones

- Las bolsas para cocción en hornos son apropiadas para piezas grandes de carne o alimentos que necesitan ablandarse. **NO** use sujetadores de alambre. Recuerde perforar la bolsa para que pueda salir el vapor.

Cómo usar papel aluminio en el Horno microondas sobre la estufa:

- Los pedazos pequeños de papel aluminio colocados ligeramente sobre los alimentos pueden ser útiles para proteger áreas que se vayan a descongelar o cocinar rápidamente.
- El papel no debe estar a menos de una pulgada de la superficie del horno.

Si tiene preguntas acerca de los utensilios o envolturas, consulte un buen libro de cocina en microondas o siga las sugerencias de las recetas.

Accesorios

Existen muchos accesorios disponibles para microondas. Revise cuidadosamente antes de comprarlos para que satisfagan sus necesidades. Un termómetro resistente a las microondas le ayudará a determinar la cocción correcta y asegurará que sus alimentos se han cocido a temperaturas seguras. Viking no es responsable de ningún daño al horno causado por los accesorios.

Sobre los niños y el microondas

- Los niños menores de 7 años deben usar el horno microondas bajo la supervisión cercana de un adulto. En caso de los niños entre 7 y 12 años la persona que los supervisa debe estar en la misma habitación.
- El niño debe alcanzar el horno de manera cómoda; en caso contrario, debe usar un banco firme.
- No debe permitir que nadie se apoye o se cuelgue de la puerta del horno.
- Los niños deben conocer todas las precauciones de seguridad: usar agarraderas, retirar las cubiertas con cuidado, prestar mucha atención a los paquetes de bocadillos crujientes, ya que podrían estar muy calientes.
- No asuma que un niño puede cocinar de todo sólo porque aprendió a cocinar un alimento.
- Los niños deben aprender que el horno microondas no es un juguete. Vea la página 28 para consultar la función de Bloqueo a prueba de niños.

IMPORTANTE—Lea y siga las instrucciones

Seguridad con los alimentos

- Distribuya los alimentos con cuidado. Coloque las áreas más gruesas hacia la parte exterior del plato.
- Verifique el tiempo de cocción. Cocine durante el período de tiempo más corto indicado y aumente como sea necesario. Los alimentos que se cocinan demasiado pueden quemarse o encenderse.
- Cubra los alimentos durante su cocción. Consulte la receta o el libro de cocina para obtener sugerencias: Toallas de papel, papel encerado, película plástica para microondas o una tapa. Las cubiertas evitan derrames y permiten que los alimentos se cocinen de manera uniforme.
- Cubra las áreas delgadas de la carne o carne de ave con piezas pequeñas y planas de papel de aluminio para evitar que se cocinen demasiado antes de que las áreas más gruesas se cocinen por completo.
- Revuelva los alimentos desde afuera hacia adentro del plato una o dos veces durante la cocción, si es posible.
- Voltee los alimentos una vez durante la cocción en microondas para acelerar la cocción de alimentos como pollo y hamburguesas. Los alimentos grandes como asados deben voltearse al menos una vez.
- Reacomode los alimentos como albóndigas a la mitad de la cocción desde la parte superior a la inferior y desde el centro del plato hacia el exterior.
- Deje un tiempo de espera. Retire los alimentos del Microondas Para Emmpotrado y revuélvalos, si es posible. Cubra durante el tiempo de espera, lo cual permite que los alimentos se terminen de cocinar sin recocerlos.
- Verifique la cocción. Verifique si hay señales que indiquen que se ha alcanzado la temperatura de cocción.

Las señales de cocción completa incluyen:

- Todo el alimento emana vapor, no sólo en los bordes.
- Temperatura muy caliente de la base central del plato al tacto.
- Fácil movimiento de las uniones de los muslos del ave.
- La carne y la carne de ave no presentan un color rosáceo.
- El pescado está opaco y se desmenuza fácilmente con un tenedor.

IMPORTANTE—Lea y siga las instrucciones

Sobre los Alimentos

Alimento	Lo que debe hacer	Lo que no debe hacer
Huevos, salchichas, frutos secos, semillas, frutas y vegetales	<ul style="list-style-type: none"> • Perfore las yemas del huevo antes de cocinarlo para evitar una "explosión". • Haga pequeños agujeros en la piel de las papas, manzanas, zapallos, hot dogs y salchichas para liberar el vapor. 	<ul style="list-style-type: none"> • Cocinar los huevos con cáscara. • Recalentar los huevos enteros. • Deshidratar nueces o semillas con cáscara.
Palomitas de maíz	<ul style="list-style-type: none"> • Use palomitas de maíz empacadas en una bolsa especial para horno microondas. • Escuche mientras las palomitas revientan para saber si hay una demora de 1 o 2 segundos o use una almohadilla especial para palomitas de maíz. 	<ul style="list-style-type: none"> • Cocinar palomitas de maíz en bolsas de papel común o en tazones de vidrio. • Exceder el tiempo máximo que indica el paquete de las palomitas de maíz.
Alimentos para bebés	<ul style="list-style-type: none"> • Transfiera los alimentos del bebé a un plato pequeño y caliéntelos con cuidado, revolviendo con frecuencia. Verifique la temperatura antes de servir. • Coloque las tetinas en las botellas después de calentarlas y sacúdalas bien. Verifique la temperatura usted mismo antes de alimentar al bebé. 	<ul style="list-style-type: none"> • Calentar botellas desechables. • Calentar las botellas con las tetinas puestas. • Calentar los alimentos del bebé en sus frascos originales.
General	<ul style="list-style-type: none"> • Corte los alimentos horneados con relleno después de calentarlos para liberar el vapor y prevenir las quemaduras. • Revuelva bien los líquidos antes, durante y después de calentar para evitar "erupciones". • Use un tazón profundo al cocinar líquidos o cereales para evitar que rebosen. 	<ul style="list-style-type: none"> • Calentar o cocinar en frascos de vidrio cerrados o en recipientes herméticos. • Preparar conservas o mermeladas en el microondas ya que las bacterias dañinas podrían no ser destruidas. • Freír en aceite. • Secar madera, calabazas, hierbas o papeles húmedos.

IMPORTANTE—Lea y siga las instrucciones

Sobre seguridad

Verifique que la cocción de los alimentos se realice de acuerdo a las temperaturas recomendadas del Departamento de Agricultura de los EE.UU.

Temperatura	Alimento
145°F (63°C)	Pez
160°F (71°C)	Carne de cerdo, carne molida de vacuno / cordero, platos de huevo
165°F (74°C)	Para sobras, comida refrigerada lista para recalentar y platos preparados y comida "lista" para llevar. El total, los pedazos y molió pavo/pollo/pato.
170°F (74°C)	carne blanca de aves de corral
180°F (74°C)	carne oscura de aves de corral

Para probar la cocción, introduzca un termómetro para carne en un área gruesa o densa lejos de la grasa y el hueso. **NUNCA** deje el termómetro en los alimentos durante la cocción, a menos que sea aprobado para uso en microondas.

- **SIEMPRE** use una agarradera para prevenir quemaduras al manipular utensilios que están en contacto con los alimentos calientes. El calor de los alimentos puede transferirse a través de los utensilios causando quemaduras en la piel.
- Evite las quemaduras causadas por el vapor apartándolo de su rostro y manos. Levante lentamente el borde más alejado de la cubierta de un plato y abra con cuidado las bolsas de palomitas de maíz y las bolsas especiales para cocinar en horno apartándolas de su rostro.
- Permanezca cerca del horno mientras esté en uso y verifique con frecuencia el progreso de la cocción para que los alimentos no se cocinen demasiado.
- **NUNCA** use la cavidad para guardar libros de cocina u otros artículos.
- Seleccione, almacene y manipule los alimentos con cuidado para conservar su alta calidad y minimizar la propagación de bacterias.
- Conserve limpia la cubierta de la guía de onda. Los residuos de comida pueden producir arcos eléctricos o incendios.
- Tenga cuidado al retirar los alimentos del horno para que los utensilios, su ropa o accesorios no toquen los pestillos de seguridad de la puerta.

Ajuste del reloj

Antes de operar su nuevo horno, asegúrese de haber leído y entendido completamente esta Guía de uso y cuidado.

Antes de usar este Horno microondas sobre la estufa, siga esos procedimientos:

1. Conecte el horno. Cierre la puerta. La pantalla del horno mostrará **ENJOY YOUR OVEN PRESS CLEAR AND PRESS CLOCK**.
2. Presione el botón STOP/Clear. **:** Aparecerá.
3. Programe el reloj.

Para configurar el reloj

1. Presione Timer/Clock y el botón del número **2**.
2. Presione los botones de números para ingresar la hora correcta del día y presione nuevamente el botón Timer/Clock.

Este es un reloj de 12 horas. Si intenta ingresar una hora incorrecta en el reloj, la pantalla mostrará el mensaje **ERROR**. Presione el botón STOP/Clear y restablezca el reloj.

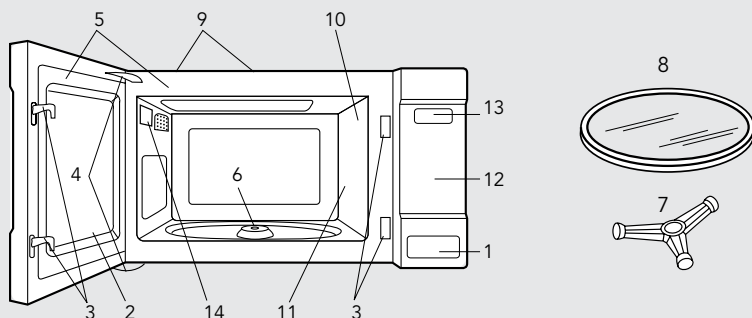
- Si se interrumpe el suministro de energía eléctrica hacia el horno microondas, la pantalla mostrará intermitentemente **ENJOY YOUR OVEN PRESS CLEAR AND PRESS CLOCK** después de restaurarse la energía. Si esto ocurre durante la cocción, el programa se borrará. La hora del día también se borrará. Simplemente Pulsar STOP/Clear y reajustar el reloj según la hora del día.

Stop/Clear (Parar/Borrar)

Presione el botón STOP/Clear (Parar/Borrar) para:

- Borrar si comete un error durante la programación.
- Cancelar el temporizador.
- Detener el horno temporalmente durante la cocción.
- Reingresar la hora del día en la pantalla.
- Cancelar un programa durante la cocción, presionando dos veces.

Características



Vista frontal

- 1 Botón de un solo toque para abrir la puerta. Presiónelo para abrir la puerta.
- 2 Puerta del horno con ventana transparente
- 3 Pestillos de la puerta
El horno no funcionará a menos que la puerta esté cerrada y asegurada.
- 4 Bisagras de la puerta
- 5 Puerta de los precintos y superficies de sellado
- 6 Eje motor para la bandeja giratoria
- 7 Apoyo de bandeja giratoria desmontable. Primero, coloque el apoyo de bandeja giratoria cuidadosamente en el árbol motor localizado en el centro del piso del horno microondas.
- 8 Bandeja giratoria móvil. Colocar la bandeja giratoria sobre el motor y asegurar. El soporte giratorio girará a ambos sentidos de las manecillas del reloj. Sólo retirar para propósitos de limpieza.
- 9 Orificios de ventilación (Trasera)
- 10 Lámpara del horno
Se enciende cuando el horno microondas está en funcionamiento o si la puerta se encuentra abierta.
- 11 Cubierta de la guía de ondas: **NO REMOVE.**
- 12 Panel de control
- 13 Pantalla de reloj: pantalla digital, 99 minutos, 99 segundos
- 14 Etiqueta de clasificación

⚠ PRECAUCIÓN

Tenga cuidado con el borde de la puerta del microondas ya que es de vidrio y puede agrietarse o quebrarse.

Pantalla electrónica

Las palabras en la parte inferior de la pantalla se encenderán para indicar que función está en progreso.

16 Power Level | Help 28

30 Timer Clock | STOP Clear | START Add-A-Minute 31

13

27 Hot Water | Sensor Reheat | Keep Warm Plus 26

19

19 SENSOR COOK 20

21 Baked Potatoes | Popcorn | Fresh Vegetables 21

21 Ground Meat | Rice | Fish Seafood 21

22 Frozen Entrees | Chicken Breast | Frozen Vegetables 22

23 REHEAT 23

23 Fresh Rolls Muffins | Beverage | Frozen Rolls Muffins 23

25 DEFROST 25

25 Ground Meat | Steaks Chops | Poultry Boneless | Poultry Bone-in 25

El número cerca de la ilustración del Panel de control indica las páginas donde puede encontrar descripciones de las características e información de uso

Panel de control

Controles del producto

Panel de control y ajustes

Tiempo de cocción

El horno microondas puede ser programado para 99 minutos 99 segundos (99.99). Siempre ingrese los segundos después de los minutos, aun si ambos son 0.

- **Para cocinar durante 5 minutos en 100%.**

1. Ingrese el tiempo de cocción **5 0 0**.
2. Presione el botón START/Add-A-Minute.

Para fijar el nivel de potencia

Existen once niveles de potencia predeterminados.

Usar los niveles de potencia más bajos aumenta el tiempo de cocción, lo que es recomendable para alimentos como queso, leche y la cocción lenta y prolongada de carnes. Consulte el libro de recetas o las recetas para recomendaciones específicas.

- **Para descongelar durante 5 minutos a 30%.**

1. Ingrese el tiempo de descongelamiento **5 0 0**.
2. Presione Power Level 8 veces.
3. Presione START/Add-A-Minute.

Presione el botón Power Level el número de veces necesario para alcanzar la potencia deseada	Porcentaje aproximado de potencia	Palabras comunes Para los niveles De potencia
Power Level x 1	100%	Alto
Power Level x 2	90%	
Power Level x 3	80%	
Power Level x 4	70%	Medio-alto
Power Level x 5	60%	
Power Level x 6	50%	Medio
Power Level x 7	40%	
Power Level x 8	30%	Medio bajo/descongelar
Power Level x 9	20%	
Power Level x 10	10%	Bajo
Power Level x 11	0%	

Panel de control y ajustes

Ajustes del sensor

El sensor es un dispositivo de semi-conducción que detecta el vapor (humedad) emitido por los alimentos al recalentar. El sensor ajusta los tiempos de cocción y el nivel de potencia para varios alimentos y cantidades.

- Después de conectar el horno, espere 2 minutos antes de usar los ajustes del sensor.
- Asegúrese de que el exterior del recipiente de cocción y el interior del horno estén secos. Remueva cualquier rastro de humedad con un paño seco o toalla de papel.
- El horno funciona con alimentos a una temperatura de almacenamiento normal. Por ejemplo, las palomitas de maíz pueden estar a temperatura ambiente.
- Cualquier selección de Ajuste del sensor puede ser programada con mayor o menor ajuste de tiempo. Vea la página 30.
- Si la cantidad de alimentos es mayor o menor a la que indica la tabla, debe ser cocinada siguiendo las pautas de cualquier libro de cocina para microondas.
- Durante la primera parte de cualquier cocción o recalentamiento por sensor, en la pantalla aparecerá el nombre del alimento. No abra la puerta del horno ni presione el botón STOP/Clear durante esta parte del ciclo. La medida del vapor será interrumpida. Si esto sucede, en la pantalla aparecerá un mensaje de error. Para continuar la cocción, presione el botón STOP/Clear y cocine manualmente.
Cuando el sensor detecte el vapor de los alimentos, aparecerá en pantalla el tiempo de cocción restante. Puede abrir la puerta cuando el tiempo de cocción restante aparezca en la pantalla. En este momento, puede revolver o sazonar los alimentos, como desee.
- Si el sensor no detecta el vapor apropiadamente al cocinar palomitas de maíz, el horno se apagará y aparecerá en la pantalla la hora correcta del día. Si el sensor no detecta el vapor apropiadamente al cocinar otros alimentos, el mensaje **ERROR** aparecerá en la pantalla y el horno se apagará.
- Revise la temperatura de los alimentos después de la cocción. Si es necesario un tiempo adicional, continúe la cocción manualmente.
- Cada alimento tiene una sugerencia de cocción. Presione el botón Help cuando el indicador HELP se encienda en la pantalla.

Panel de control y ajustes

Envoltura de alimentos:

Algunos alimentos se cocinan mejor cuando están cubiertos. Use la envoltura recomendada en la tabla de alimentos.

1. Tapa de la cacerola.
2. Película plástica: Use la película plástica recomendada para cocción en microondas. Envuelva los platos de forma suelta; deje un espacio de casi 1/2 pulgada sin cubrir para permitir la salida de vapor. La película plástica no debe tocar los alimentos.
3. Papel encerado: Cubra el plato completamente; doble el exceso de la envoltura debajo del plato para asegurar. Si el plato es más ancho que el papel, sobreponga por lo menos una pulgada de dos pedazos para cubrir.

Tenga cuidado al retirar cualquier envoltura para permitir la salida de vapor lejos de usted.

Sensor Cook (Sensor de cocción)

Usted puede cocinar varios alimentos presionando el botón Sensor Cook y el número del alimento. No es necesario calcular el tiempo de cocción o nivel de potencia.

- **Sensor Reheat**

1. Presione el botón Sensor Reheat.

Cuando el sensor detecte el vapor de los alimentos, aparecerá en la pantalla el tiempo de cocción restante.

NOTAS:

- *Sensor Cook se puede programar con mayor o menor ajuste de tiempo. Vea la página 30.*
- *El resultado final de cocción variará según la condición del alimento (como temperatura inicial, forma, calidad). Revise la temperatura de los alimentos después del calentamiento. Si es necesario un tiempo adicional, prosiga el calentamiento manualmente.*

Panel de control y ajustes

Tabla Sensor Cook (Sensor de cocción)

Alimento	Cantidad	Procedimiento
Reheat (Recalentamiento)	4 - 36 onzas	Coloque un plato o cacerola ligeramente más grande que la cantidad que va a recalentar. Aplane, si es posible. Cubra con una tapa, película plástica o papel encerado. Use envolturas como películas plásticas o tapas con grandes cantidades de alimentos con más densidad como estofados. Después de recalentar, revuelva bien, si es posible. Recubra y deje que permanezca de 2 a 3 minutos. Los alimentos deben estar muy calientes. Si no es así, continúe el calentamiento con una potencia y tiempo variables.
Baked Potatoes (Patatas asadas)	1 - 8 med.	Perfore con el tenedor en varios lugares. Colocar sobre la bandeja giratoria cubierta con toalla de papel. Después de la cocción, sacar del horno, envolver en papel de aluminio y dejar reposar de 5 a 10 minutos.
Popcorn (Palomitas de Maíz)	Bolsa de 1,5 - 3,5 onzas (regular)	Usar palomitas de maíz empacadas para horno microondas únicamente. Si desea puede probar varias marcas y escoger su favorita. No intentar cocer los granos de maíz que no reventaron.
Fresh vegetables: (Verduras Fresca)	Sauve	Lavar y colocar en la cacerola. No agregar agua si se acaban de lavar.
Brócoli	0,25 - 2,0 lb.	Para obtener verduras blandas, cubrir con una tapa. Para verduras suaves
Coles de Bruselas	0,25 - 2,0 lb.	y a la vez crujientes, usar envoltura plástica. Pulsar el botón Fresh
Col	0,25 - 2,0 lb.	Vegetables una vez. Revolver después de la cocción, de ser posible. Dejar reposar, cubierto, de 2 a 5 minutos.
Coliflor (trozos)	0,25 - 2,0 lb.	
Coliflor (entera)	1 med.	
Espinacas	0,25 - 1,0 lb.	
Zucchini	0,25 - 2,0 lb.	
Manzanas asadas	2 - 4 med.	

Panel de control y ajustes

Tabla Sensor de cocción-continuación

Alimento	Cantidad	Procedimiento
Fresh vegetables: (Verduras Fresca) Zanahorias, en rodajas Maíz en la mazorca Habichuelas verdes Calabaza de invierno: en cuadritos en mitades	Firme 0,25 - 2,0 lb. 2 - 4 0,25 - 2,0 lb. 0,25 - 2,0 lb. 1 - 2	Colocar en la cacerola. Agregar de 1 a 4 cucharadas de agua. Para obtener verduras blandas, cubrir con una tapa. Para obtener verduras suaves y a la vez crujientes, usar envoltura plástica. Pulsar el botón Fresh Vegetables dos veces. Revolver después de la cocción, de ser posible. Dejar reposar, cubierto, de 2 a 5 minutos.
Ground Meat (Carne picada)	0,25 - 2,0 lb.	Use este ajuste para cocinar carne de res o de pavo picada como hamburguesas o en cacerolas para ser agregados a otros ingredientes. Coloque las hamburguesas en la rejilla del microondas y recubra con papel encerado. Coloque la carne molida en una cacerola y cúbrala con papel encerado o una película plástica. Cuando el horno se detenga, voltee las hamburguesas o revuelva la carne en la cacerola para dividir las piezas grandes. Vuelva a cubrir y presione START/Add-A-Minute. Luego de cocinar, deje reposar cubierto por 2 a 3 minutos.

Panel de control y ajustes

Tabla Sensor de cocción-continuación

Alimento	Cantidad	Procedimiento
Rice (Arroz)	0,5 - 2,0 tazas	Coloque el arroz en una cacerola honda y agregue una cantidad doble de agua. Recubra con una tapa o película plástica. Después de la cocción, revuelva, cubra y deje reposar de 3 a 5 minutos o hasta que absorba todo el líquido.
		Arroz Agua Tamaño de la cacerola
		0,5 taza 1 taza 1,5 crarto
		1.0 taza 2 tazas 2 crartos
		1,5 tazas 3 tazas 2,5 or 3 crartos
		2,0 tazas 4 tazas 3 crartos o más
Fish/ Seafood (Pescado, mariscos)	0,25 - 2,0 lb.	Colóquelo en forma de anillo en un plato de vidrio hondo (enrolle el filete ocultando los bordes). Cubra con una película plástica. Después de la cocción, deje reposar cubierto por 3 minutos.
Frozen Entrees (Platos de entrada congelados)	6 - 17 oz.	Use para congelar convenientemente los alimentos. Obtendrá resultados satisfactorios para la mayoría de marcas. Si desea puede probar las diversas marcas y elegir la que prefiera. Retire la envoltura externa del paquete y siga las instrucciones del mismo para cubrirlo. Después de la cocción, déjelos cubiertos de 1 a 3 minutos.
Chicken Breast (Pechuga de pollo)	0,5 - 2,0 lb.	Cubra con una película plástica con agujeros de ventilación. Cuando el horno se detenga, dé vuelta. Cubra cualquier área que se esté cocinando muy rápido con piezas de papel aluminio. Vuelva a cubrir y presione START/Add-A-Minute. Luego de cocinar, deje reposar cubierto por 2 a 3 minutos. El pollo debe estar a 165°F.

Panel de control y ajustes

Tabla Sensor de cocción-continuación

Alimento	Cantidad	Procedimiento
Frozen Vegetables (Verduras congelados)	0,25 - 1,25 lb	No añadir agua. Cubrir con tapa o envoltura plástica. Después de cocinar, revolver y dejar reposar, cubierto por 3 minutos.

Panel de control y ajustes

Reheat (Recalentar)

La función Reheat le permite calentar tres de sus alimentos favoritos con presionar sólo un botón.

- **Dos bollos o panecillos.**

1. Presione dos veces el botón Fresh Rolls/Muffins.
2. Presione el botón START/Add-A-Minute.

NOTAS:

- *Para aumentar la cantidad, presione el botón que desee hasta que el número en la pantalla indique la misma cantidad deseada para la cocción. Ej.: Presione tres veces Beverage para 1.5 tazas. Si la cantidad de alimentos es mayor o menor a la que indica la tabla, debe ser recalentada siguiendo las pautas de cualquier libro de cocina para microondas.*
- *Los ajustes de recalentamiento pueden ser programados con mayor o menor ajuste de tiempo. Vea la página 30.*
- *El resultado final dependerá de las condiciones de los alimentos (por ejemplo, temperatura inicial, forma, calidad). Al finalizar su cocción, revisar la temperatura de los alimentos; si se necesita mayor tiempo de cocción, continúe la opción manual.*

Tabla Reheat (Recalentar)

Alimento	Cantidad	Procedimiento
Fresh Rolls/ Muffins (Rosquillas / panecillos frescos)	1 - 10 unidades	Use este botón para calentar rosquillas, panecillos, bizcochos, roscas, etc. Las porciones grandes deben considerarse como 2 ó 3 de tamaño normal. Colóquelos en un plato y cubra con toalla de papel. Para rosquillas o panecillos refrigerados, puede ser necesario duplicar la cantidad ingresada para asegurar que la temperatura para servir sea adecuada. Por ejemplo, ingrese una cantidad de 2 para un panecillo refrigerado.
Beverage (Bebida)	0,5 - 2,0 tazas	Este ajuste es indicado para hacer que una bebida fría recupere una mejor temperatura para su consumo. Revolver bien los líquidos antes y después de calentar para evitar "erupciones". Presione el botón Beverage. Presione el botón para la cantidad (tazas). Una vez..... 0,5 3 veces 1,5 Dos veces... 1,0 4 veces 2,0

Panel de control y ajustes

Tabla Reheat (Recalentar-continuación)

Alimento	Cantidad	Procedimiento
Frozen Rolls/ Muffins (Rosquillas / panecillos congelados)	1 - 10 unidades	Use este botón para calentar bollos, panecillos, bizcochos, rosquillas, etc. congelados. Las porciones grandes deben considerarse como 2 ó 3 de tamaño normal. Colóquelos en un plato: cubra con toalla de papel.

Defrost (Descongelar)

Defrost descongela automáticamente todos los alimentos que figuran en la Tabla Defrost en la página 25.

Redondee el peso hacia la cantidad de libras más cercana. (Ej.: Si el peso real del bistec es 2.2 libras, redondee a 2.0 libras. Si el peso real del bistec es 2.4 libras, redondee a 2.5 libras). Presione el botón Defrost y el número que desee para seleccionar el alimento. Luego ingrese el peso en incrementos de 1 libra.

- **Un bistec de 3,0 libras.**

1. Presione el botón Defrost y el número [2] para Steaks/Chops. Ingrese 3.0 libras para el peso presione el botón START/Add-A-Minute. El horno se detendrá y las instrucciones aparecerán en la pantalla.
2. Después de la primera etapa, abra la puerta. De vuelta al bistec y cubra las porciones calientes. Cierre la puerta. Presione el botón START/Add-A-Minute.
3. Después de la segunda etapa, abra la puerta. Cubra todas las porciones tibias. Cierre la puerta. Presione el botón START/Add-A-Minute.
4. Después de terminar el ciclo de descongelamiento, cubrir y dejar reposar como indicado en la tabla.

NOTAS:

- *Defrost puede ser programado con mayor o menor ajuste de tiempo. Presione el botón Power Level una o dos veces, luego de seleccionar la cantidad. Ver la página 30.*
- *Para descongelar otro alimento o alimentos con mayor o menor peso de los permitidos en la Tabla Defrost, use el botón time y la potencia al 30%. Vea Descongelamiento Manual en la página 25.*
- *Si intenta ingresar mayor o menor cantidad que la indicada en la tabla en la página 25, la pantalla mostrará un mensaje de error.*

Panel de control y ajustes

Tabla Defrost (Descongelar)

Alimento	Cantidad	Procedimiento
Ground Meat (Carne picada)	0,5 - 2,0 lb.	Cuando se detenga, dé vuelta, retire las piezas descongeladas y separe las piezas restantes. Cuando finalice, cubra y deje reposar de 3 a 5 minutos.
Steaks/ Chops (Bistec/ Chuleta)	0,5 - 3,0 lb.	Después de cada etapa del ciclo de descongelamiento, re-acomode y si hay porciones tibias o descongeladas, cúbralas con pedazos pequeños de papel aluminio. Retire la carne o pescado que se encuentre casi descongelado. Deje reposar, cubierto, 10 a 20 minutos.
Poultry - Boneless (Pollo sin hueso)	0,5 - 2,0 lb.	Use pechuga de pollo o de pavo deshuesada. Después de cada etapa, si hay porciones tibias o descongeladas, reacomode o retire. Cubra y deje reposar de 10 a 20 minutos.
Poultry - Bone-in (Pollo con hueso)	0,5 - 3,0 lb.	Acomode las piezas con las partes más gruesas hacia la parte externa del plato de vidrio o de la rejilla del microondas. Después de cada etapa, si hay porciones tibias o descongeladas, reacomode o retire. Cubra y deje reposar de 10 a 20 minutos.

NOTA:

Revisar los alimentos cuando el horno microondas emita una señal. Después de la etapa final, las secciones pequeñas aún pueden tener partículas de hielo. Dejar reposar para continuar descongelando. No descongelar hasta que todos los cristales de hielo se hayan derretido.

El cubrir porciones ayuda a prevenir cocción antes de que el centro de los alimentos esté descongelado. Usar pedazos planos de papel de aluminio para cubrir las esquinas y secciones más delgadas de los alimentos.

Descongelamiento manual

Si los alimentos que desea descongelar no están incluidos en la Tabla de descongelamiento o se encuentran por encima o debajo de los límites en la columna Cantidad de la tabla, usted debe descongelar manualmente.

Panel de control y ajustes

Usted puede descongelar cualquier alimento crudo o precocido usando el Nivel de potencia al 30%. Siga exactamente el procedimiento del paso 3 en Para fijar el nivel de potencia. Calcule el tiempo de descongelamiento y presione el botón Power Level ocho veces para una potencia del 30%.

Para alimentos crudos o congelados precocidos la regla general indica 4 minutos por libra. Por ejemplo, descongele durante 4 minutos para una libra de salsa para espaguetis congelada.

Siempre detenga el horno periódicamente para retirar o separar las porciones que esté descongelando. Si al final del tiempo estimado de descongelamiento los alimentos no están descongelados, programe el horno en incrementos de 1 minuto, en un nivel de potencia del 30% hasta que se descongelen totalmente.

Cuando use recipientes de plástico para el congelador, descongele solo lo suficiente para retirar el alimento del plástico y colocarlo en un plato para microondas.

Keep Warm Plus (Conservar caliente)

Keep Warm Plus permite mantener la comida caliente durante 30 minutos.

Uso directo

- **Una taza de sopa caliente por 30 minutos.**

1. Presione el botón Keep Warm Plus.
2. Ingrese el tiempo deseado presionando los botones de números **3 0 0 0**.
3. Presione el botón START/Add-A-Minute.

El horno empezará a funcionar. La pantalla mostrará **30:00** en conteo regresivo. **KEEP WARM** aparecerá en pantalla durante el conteo regresivo.

Con cocción manual

- **Para cocinar una taza de sopa por 2 minutos al 70% y mantener la sopa caliente por 15 minutos.**

1. Ingrese el tiempo de cocción **2 0 0**.
2. Presione el botón Power Level 4 veces para una potencia al 70%.
3. Presione el botón Keep Warm Plus.
4. Ingrese el tiempo deseado. **1 5 0 0**.
5. Presione el botón START/Add-A-Minute.

Panel de control y ajustes

El horno empezará a funcionar. Al completar el tiempo de cocción, escuchará un tono largo y empezará la función Keep Warm Plus. **KEEP** **WARM** aparecerá en la pantalla cada 10 segundos con un conteo regresivo para 15 minutos.

NOTA:

- *Keep Warm Plus no se puede programar con Sensor Cook, Reheat, Defrost y Hot Water.*

Hot Water (Agua caliente)

La función Hot Water calienta de 1 a 6 tazas de agua de grifo para preparar café, té, caldo y sopas instantáneas y también para cocinar las pastas. Al usar tazas individuales, coloque el café instantáneo, té o caldo en la taza y revuelva antes de calentar. Deje reposar por 20 segundos luego del calentamiento antes de revolver y beber. Revuelva con cuidado luego de retirarlo del microondas. Al calentar de 4 a 6 tazas de agua, coloque en una cacerola grande y tápela o coloque una película plástica. Al sonar el microondas, agregue la pasta y continúe la cocción siguiendo las instrucciones del empaque. Presione el botón Hot Water una vez para cada taza hasta llegar a 6.

- **Tres tazas de agua.**

1. Presione 3 veces el botón Hot Water.

Panel de control y ajustes

Help (Ayuda)

Help le ofrece 4 características que facilitan el uso de su horno ya que la pantalla interactiva le brinda instrucciones específicas.

1. Seguro de bloqueo

La característica Child Lock evita la operación no deseada del horno de parte de niños pequeños. El horno puede ajustarse para que el panel de control se desactive o bloquee. Para ajustar, presione Help, el número **1** y luego presione el botón START/Add-A-Minute. Si presiona un botón, **CHILD LOCK ON** aparecerá en la pantalla.

Para cancelar, presione el botón Help y STOP/Clear.

2. Eliminación de la señal audible

Si usted desea operar su horno sin señales audibles, presione Help, el número **2** y STOP/Clear.

Para cancelar y restaurar la señal audible, presione HELP, el número **2** y START/Add-A-Minute.

3. Inicio automático

Si desea programar su horno para empezar a cocinar automáticamente en un momento determinado del día, siga este procedimiento:

- **Cocinar un estofado por 20 minutos al 50% a las 4:30. Antes de hacer el ajuste, compruebe que el reloj está indicando la hora correcta del día.**

1. Presione el botón Help.
2. Presione el botón del número **3**.
3. Ingrese la hora de inicio **4 3 0**.
4. Presione el botón Timer/Clock.
5. Ingrese el programa de cocción **2 0 0 0**. Presione el botón Power Level 6 veces para una potencia al 50%.
6. Presione el botón START/Add-A-Minute.

NOTAS:

- *Auto Start puede utilizarse para cocción manual si se ha programado el reloj.*
- *Si se abre la puerta del horno después de programar Auto Start, es necesario presionar el botón START/Add-A-Minute para que la hora de Auto Start aparezca en la pantalla de lectura, con el fin de que el horno empiece automáticamente la cocción programada a la hora elegida de Auto Start.*

Panel de control y ajustes

- Asegúrese de elegir alimentos que puedan dejarse en el horno con seguridad hasta que se cumpla la hora programada para Auto Start. La bellota o calabaza moscada son por lo general una buena elección.

4. Selección de Idioma / Peso

El horno cuenta con ajustes en inglés y en las unidades-libras acostumbradas en los Estados Unidos. Para cambiar, presione Help y el número **4**. Continúe presionando el número **4** hasta que seleccionar su elección de la tabla siguiente. Luego, presione el botón START/Add-A-Minute.

Presione el número **4** para el idioma y estándar de peso.

Número	Idioma	Valor de peso
Una vez	Inglés	LBS
Dos veces	Inglés	KG
3 veces	Español	LBS
4 veces	Español	KG
5 veces	Francés	LBS
6 veces	Francés	KG

Help (Ayuda - Indicador en pantalla)

Cada ajuste de Instant Sensor, Sensor Cook, Reheat, Hot Water, Keep Warm Plus y Defrost presenta una sugerencia de cocción. Si desea revisarlas, presione Help cuando esté encendido en la Pantalla interactiva para estas y otras sugerencias de operación manual.

Modo de demostración

Para realizar una demostración, presione Timer/Clock, el número **0** y luego el botón START/Add-A-Minute y manténgalo presionado por tres segundos. **DEMO ON** aparecerá en la pantalla. Ahora puede demostrar las operaciones de cocción y las características especiales específicas sin potencia en el horno. Por ejemplo, presione el botón Add-A-Minute y la pantalla mostrará **1:00** y contará regresivamente hasta **END**.

Para cancelar, presione Timer/Clock, el número **0** y el botón STOP/Clear. Si le resulta más fácil, desconecte el horno del tomacorriente eléctrico y vuelva a conectarlo.

Panel de control y ajustes

Timer (Temporizador)

- **El tiempo una llamada telefónica de larga distancia de 3 minutos.**

1. Presione Timer/Clock y el número **1**.
2. Ingrese el tiempo.
3. Presione Timer/Clock.

Cocción en múltiples secuencias

Su horno puede programarse para 4 secuencias de cocción automática, cambiando automáticamente de un ajuste de nivel de potencia a otro.

A veces, las instrucciones de cocción le indican empezar en un nivel de potencia y luego cambiar a un nivel de potencia diferente. Su horno puede hacerlo automáticamente.

- **Cocinar un bife asado por 5 minutos al 100 % y luego continuar la cocción por 30 minutos al 50%.**

1. Ingrese el tiempo de cocción. Presione el botón Power Level una vez para una potencia al 100%.
2. Ingrese el segundo tiempo de cocción. Presione el botón Power Level 6 veces para una potencia al 50%.
3. Presione el botón START/Add-A-Minute.

NOTAS:

- Si se pulsa el botón Power Level, **P-HI** aparecerá en la pantalla.
- Si selecciona 100% como secuencia final, no es necesario presionar el botón Power Level.
- Se puede programar continuamente la función Keep Warm Plus incluso si se ha ajustado 4 secuencias de cocción.

Mayor o menor ajuste de tiempo

Si decide que prefiere alguna de las opciones Sensor Reheat, Sensor Cook, Reheat o Defrost ligeramente más fuertes, presione una vez el botón Power Level después de presionar los botones de su elección o antes de presionar el botón START/Add-A-Minute. La pantalla mostrará **MORE**.

Si decide que prefiere alguna de las opciones Sensor Reheat, Sensor Cook, Reheat o Defrost ligeramente menos fuertes, presione dos veces el botón Power Level después de presionar los botones de su elección o antes de presionar el botón START/Add-A-Minute. La pantalla mostrará **LESS**.

Panel de control y ajustes

Add-A-Minute (Añadir-A-Minuto)

La función Add-A-Minute le permite cocinar por un minuto al 100% con sólo presionar el botón Add-A-Minute. También puede extender el tiempo de cocción en múltiplos de 1 minuto presionando repetidamente el botón Add-A-Minute durante la cocción manual.

- **Caliente una taza de sopa para un minuto.**

1. Presione el botón START/Add-A-Minute.

NOTAS:

- *Para usar la función Add-A-Minute, presione el botón dentro de los 3 minutos posteriores a la cocción, cerrando la puerta o presionando el botón STOP/Clear.*
- *La función Add-A-Minute no puede ser usada con las Sensor Cook, Defrost, Reheat o Hot Water.*

Limpieza y mantenimiento

Cualquier pieza del equipo funciona mejor y dura más cuando se le mantiene correctamente y se conserva limpia. El equipo de cocina no es una excepción. Su Microondas con campana debe mantenerse limpio y conservado apropiadamente.

Desconecte el cable de alimentación antes de la limpieza o deje abierta la puerta para desactivar el horno durante la limpieza.

Superficies del horno

La superficie exterior cuenta con un revestimiento de acero y plástico. Limpie el exterior con jabón suave y agua; enjuague y seque con un paño suave. No use ningún tipo de limpiador doméstico o abrasivo. Las partes de metal son más fáciles de mantener si se limpian frecuentemente con un paño húmedo. Evite el uso de limpiadores con atomizadores o ásperos, ya que pueden manchar, vetear u opacar la superficie de la puerta.

Interior

La limpieza es fácil porque se genera poco calor en las superficies internas; por lo tanto, las salpicaduras o derrames no se hornean ni endurecen. Para limpiar las superficies internas, limpie con un paño suave y húmedo con agua tibia. **NO USE LIMPIADORES ABRASIVOS O ÁSPEROS O ESPONJILLAS DE FREGAR.** Para una suciedad más intensa, utilice bicarbonato de sodio o un jabón suave; enjuague cuidadosamente con agua caliente. **NUNCA ROCÍE DIRECTAMENTE LIMPIADORES PARA HORNO SOBRE NINGUNA PARTE DEL HORNO MICROONDAS.**

Superficies de vidrio

Tenga cuidado con el borde de la puerta del horno ya que es de vidrio y se podría astillar o quebrar. Retire cualquier salpicadura o derrame de la ventana por ambos lados con un paño suave húmedo.

Superficie de acero inoxidable

La parte externa debe ser limpiada con frecuencia con un paño húmedo y se debe lustrar con un paño suave seco para mantener su belleza. Hay también una variedad de productos diseñados especialmente para limpiar y dar brillo al acabado exterior en acero del horno. Recomendamos que aplique el limpiador en un paño suave y luego lo pase por la parte externa del horno en lugar de aplicarlo directamente. Siga las instrucciones del paquete cuidadosamente.

Limpieza y mantenimiento

Panel de control táctil

Limpie el panel con un paño humedecido ligeramente solo con agua. Seque con un paño suave. No restriegue ni use ningún tipo de limpiador químico. Cierre la puerta y presione el botón STOP/Clear.

Eliminación de olores

Ocasionalmente, el olor de la cocción puede permanecer en el horno. Para retirarlo, mezcle 1 taza de agua, el jugo de un limón y su cáscara rallada y varios clavos enteros en una taza de medida de vidrio con capacidad para dos tazas. Hierva por varios minutos utilizando la potencia al 100%. Deje reposar en el horno hasta que enfríe. Limpie el interior con un paño suave.

Plato giratorio/Soporte del plato giratorio

El plato giratorio y el soporte del plato giratorio pueden ser retirados para una limpieza fácil. Lávelos en agua jabonosa suave; para manchas persistentes utilice un limpiador suave y una esponja de fregar no abrasiva. También son aptos para el lavaplatos. Utilice la rejilla superior del lavaplatos. El eje del motor del plato giratorio no está sellado, de modo que el agua en exceso o derrames deben ser limpiados inmediatamente.

Cubierta de la guía de onda

La cubierta de la guía de onda se encuentra en la pared derecha de la cavidad del horno. Está hecha de mica por lo que requiere cuidado especial. Conserve limpia la cubierta de la guía de onda para asegurar un buen rendimiento del horno microondas. Limpie cuidadosamente con un paño humedecido cualquier salpicadura de alimento de la superficie de la cubierta inmediatamente después de que haya ocurrido. Las salpicaduras acumuladas pueden provocar sobrecalentamiento y ocasionar humo o posiblemente incendiarse. **NO RETIRE LA CUBIERTA DE LA GUÍA DE ONDA.**

Localización de fallas

Revise lo siguiente antes de llamar para solicitar servicio:

Coloque en el horno una taza de agua en una taza medidora de vidrio y cierre la puerta firmemente.

Opere el horno por un minuto en HIGH 100%.

- A.** ¿Se enciende la luz del horno? SI _____ NO _____
- B.** ¿Funciona el ventilador de enfriamiento? SI _____ NO _____
(Pon la mano sobre el lado izquierdo de la persiana.)
- C.** ¿El plato giratorio gira? (Es normal que el plato giratorio gire en cualquier dirección.) SI _____ NO _____
- D.** ¿El agua que está en el horno está caliente? SI _____ NO _____

Si "NO" es la respuesta a cualquiera de las preguntas anteriores, sírvase verificar el tomacorriente eléctrico, la caja de fusibles y/o el interruptor del circuito. Si están funcionando correctamente, COMUNÍQUESE CON SU CENTRO AUTORIZADO DE SERVICIO VIKING MÁS CERCANO.

Un horno microondas nunca debe ser reparado por una persona no calificada".

NOTA:

- Si el tiempo que aparece en la pantalla está haciendo cuenta regresiva rápidamente, verifique el Modo de demostración en la página 29 y cancele.

Información de servicio

Si se necesita servicio:

1. Llame a su distribuidor o agencia de servicio autorizada. Puede obtener el nombre de la agencia de servicio autorizada llamando a su distribuidor local.
2. Debe tener disponible la siguiente información:
 - a. Número de modelo
 - b. Número de serie
 - c. Fecha de compra
 - d. Nombre del distribuidor al que le realizó la compra
3. Describa claramente el problema que tiene.

Si no puede obtener el nombre de una agencia de servicio autorizada o si continúa teniendo un problema de servicio, comuníquese con Viking Range Corporation al (888) 845-4641 o escriba a:

VIKING RANGE CORPORATION

PREFERRED SERVICE

1803 Hwy 82W

Greenwood, Mississippi 38930 EE.UU.

Coloque la información que se indica a continuación. Será necesaria si alguna vez requiere del servicio. El número de modelo y de serie de su horno microondas se encuentra en la etiqueta de identificación al lado izquierdo de la cavidad del horno.

Número de modelo _____ Número de serie _____

Fecha de compra _____ Fecha de instalación ____

Distribuidor _____

Dirección _____

Si el servicio requiere de instalación de partes, use sólo las partes autorizadas para garantizar la protección bajo la garantía.

CONSERVE ESTE MANUAL PARA REFERENCIA FUTURA

Garantía

Garantía de horno de microondas D3

TRES AÑOS DE GARANTÍA TOTAL

Todos los hornos de microondas D3 Viking y todos sus componentes, excepto como se detalla más adelante* †, tienen la garantía de no tener defectos de materiales ni de mano de obra en uso residencial normal por un período de tres (3) años desde la fecha de la compra original al por menor o de la fecha de cierre para una construcción nueva, el período que fuera mayor. Viking Range Corporation, garante, acepta reparar o reemplazar, a su elección, cualquier componente que falle o que resulte defectuoso durante el período de garantía.

* **NOVENTA (90) DÍAS DE GARANTÍA ESTÉTICA TOTAL:** Se garantiza que el producto no tendrá defectos estéticos en materiales o mano de obra (tales como arañazos en el acero inoxidable, imperfecciones en la pintura/porcelana, etc.) por un período de noventa (90) días desde la fecha de la compra original al por menor o de la fecha de cierre para una construcción nueva, el período que fuera mayor. Cualquier defecto debe ser informado al distribuidor dentro de noventa (90) días desde la fecha de la compra original al por menor. Viking Range Corporation usa procesos y materiales de alta calidad para producir todos los acabados de color. Sin embargo, puede ser posible que se observe una ligera variación de color debido a diferencias inherentes en los componentes pintados y en componentes de porcelana así como por diferencias en la iluminación de la cocina, ubicaciones del producto y otros factores. Por lo tanto, esta garantía no se aplica a la variación de color atribuible a dichos factores.

† **NOVENTA (90) DÍAS DE GARANTÍA TOTAL EN APLICACIONES "RESIDENTIAL PLUS":** Esta garantía total se aplica a aplicaciones donde el uso del producto se extiende más allá del uso residencial normal, aunque el período de garantía para productos usados en dichas aplicaciones es noventa (90) días. Ejemplos de aplicaciones cubiertas por esta garantía son alojamientos que brindan alojamiento y desayuno, estaciones de bomberos, clubes privados, iglesias, yates, etc. Bajo esta garantía "Residential Plus", el producto, sus componentes y accesorios están garantizados estar libres de defectos en materiales o mano de obra por un período de noventa (90) días desde la fecha de la compra original al por menor. Esta garantía excluye el uso del producto en ubicaciones comerciales tales como restaurantes, ubicaciones de servicios alimenticios y ubicaciones de servicios alimenticios institucionales.

CINCO AÑOS DE GARANTÍA LIMITADA

Si el tubo de magnetrón falla debido a materiales o mano de obra defectuosos en uso doméstico normal durante el período entre el cuarto y el quinto año desde la fecha de la compra original al por menor, será reparado o reemplazado sin cargo por el componente mismo, pero el propietario pagará todos los otros costos, incluyendo la mano de obra.

TÉRMINOS Y CONDICIONES

Esta garantía se extiende al comprador original del producto garantizado aquí estipulado y a cada propietario adquirente del producto durante el período de la garantía y se aplica a productos comprados y ubicados en Estados Unidos y Canadá. Los productos deben ser comprados en el país donde se solicite el servicio. Si el producto o una de sus partes componentes tiene un defecto o falla durante el período de garantía total después de un número razonable de intentos realizados por el garante para resolver el defecto o la falla, el propietario tiene derecho a un reembolso o reemplazo del producto o de sus partes componentes. El reemplazo de un componente incluye su instalación gratuita, excepto por lo especificado según la garantía limitada. Según los términos de esta garantía, el servicio debe ser realizado por un agente o representante de servicio de Viking Range Corporation autorizado por la fábrica. El servicio será proporcionado durante horas útiles normales y la mano de obra realizada a tasas de sobretiempo o con bonificación no será cubierta por esta garantía.

El propietario será responsable de la adecuada instalación, proporcionará un mantenimiento razonable y necesario, proporcionará una prueba de su compra si se le requiere y hará que el aparato sea razonablemente accesible para servicio. La devolución de la Tarjeta de registro del propietario no es una condición de cobertura de la garantía. Sin embargo, usted debe devolver la Tarjeta de registro del propietario de modo que Viking Range Corporation pueda ponerse en contacto con usted si surgiera algún aspecto de seguridad que pudiera afectarle.

Esta garantía le da derechos legales específicos, aunque usted también puede tener otros derechos que pueden variar dependiendo de la jurisdicción.

QUÉ NO ESTÁ CUBIERTO POR ESTA GARANTÍA: Esta garantía no se aplicará a daños que resulten a causa de maltrato, falta de proporcionar un mantenimiento razonable y necesario, accidente, entrega, negligencia, desastre natural, pérdida de alimentación eléctrica al producto por cualquier razón, modificación, uso en exteriores, instalación incorrecta, operación inadecuada, o reparación o servicio del producto por cualquier persona que no sea un representante o agencia de servicio autorizados por Viking Range Corporation. Esta garantía no se aplica a la utilización comercial.

LIMITACIÓN DE RESPONSABILIDAD Y DURACIÓN DE LA GARANTÍA

IMPLICITA EL ÚNICO Y EXCLUSIVO RECURSO DEL PROPIETARIO PARA UN RECLAMO DE CUALQUIER CLASE CON RESPECTO DE ESTE PRODUCTO SERÁ LAS SOLUCIONES ESTABLECIDAS ANTERIORMENTE. VIKING NO ES RESPONSABLE DE DAÑOS RESULTANTES O FORTUITOS, INCLUYENDO PERO SIN LIMITARSE A PÉRDIDAS DE ALIMENTOS O MEDICINAS, DEBIDO A FALLA DEL PRODUCTO, YA SEA QUE SURJAN PRODUCTO DEL INCUMPLIMIENTO DE LA GARANTÍA, INCUMPLIMIENTO DE CONTRATO O DE CUALQUIER OTRA MANERA. Algunas jurisdicciones no permiten la exclusión o limitación de daños fortuitos o resultantes, de modo que la limitación o exclusiones anteriores pueden no aplicarse a usted. **CUALQUIER GARANTÍA IMPLÍCITA DE COMERCIABILIDAD O IDONEIDAD PARA UN PROPÓSITO PARTICULAR APPLICABLE A ESTE PRODUCTO ESTÁ LIMITADA EN DURACIÓN AL PERÍODO DE COBERTURA DE LAS GARANTÍAS LIMITADAS ESCRITAS EXPRESAS APPLICABLES ESTABLECIDAS ANTERIORMENTE.** Algunos estados no permiten limitaciones sobre la duración de una garantía implícita, así que la limitación anterior puede no aplicarse a usted.

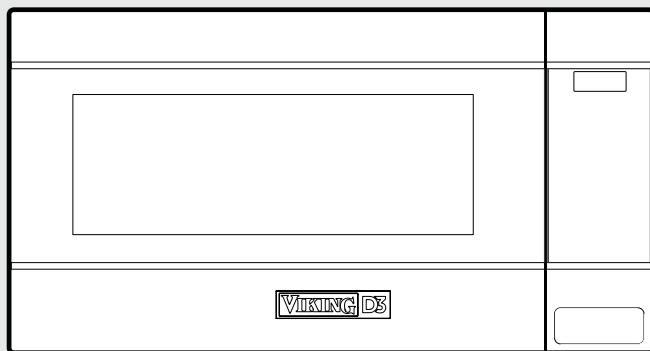
SERVICIO DE GARANTÍA

Para obtener el servicio de garantía, contacte con un agente de servicio autorizado de Viking Range Corporation, o con Viking Range Corporation, 111 Front Street, Greenwood, Mississippi 38930, (888) 845-4641. Proporcione el modelo y el número de serie y la fecha de la compra original o la fecha de cierre para una construcción nueva. Si desea saber cuál es la agencia de servicio autorizada de Viking Range Corporation más cercana a usted, llame a Viking Range Corporation.

IMPORTANTE: Conserve prueba de su compra original para establecer el período de garantía.

Especificaciones sujetas a cambio sin previo aviso.

Manuel d'utilisation et d'entretien de Viking



Four de Micro-onde de D3

Félicitations

Félicitations et bienvenue dans le monde distingué des propriétaires de Viking. Nous espérons que vous apprécierez à sa juste valeur le soin et l'attention que nous avons portés à chaque détail de votre nouveau four à micro-ondes.

Votre four à micro-ondes est conçu pour offrir des années de service fiable. Ce guide d'utilisation et d'entretien vous fournira l'information nécessaire pour vous familiariser avec l'entretien et le fonctionnement de votre hotte.

Notre but est votre satisfaction complète. Si vous avez des questions ou des commentaires concernant ce produit, veuillez communiquer avec le revendeur duquel vous l'avez acheté, ou avec notre centre d'assistance à la clientèle au 1-888-VIKING1.

Nous vous savons gré d'avoir choisi un four à micro-ondes et nous espérons que vous choisirez à nouveau nos produits pour vos autres besoins importants en four.

Pour plus de renseignements au sujet de notre gamme complète et en expansion de produits Viking, communiquez avec votre revendeur ou consultez-nous en ligne à vikingrange.com.

Table des matières

Avant de commencer	2
Advertisements	2
Précautions importantes	3
Important–Prière de lire et de suivre	6
Instructions de mise à la terre électriques	6
Avant d'utiliser le four à micro-ondes	7
Réglage de l'horloge	14
Réglage de l'horloge	14
Arrêt/Annulation	14
Commandes du produit	15
Caractéristiques	15
Affichage électronique	16
Utilisation	17
Panneau de commandes et réglages	17
Temps de cuisson	17
Réglage du niveau de puissance	17
Cuisson commandée par capteur	18
Manières de couvrir les aliments	19
Sensor Cook (Cuisson au capteur)	20
Reheat (Réchauffage)	23
Defrost (Décongélation)	25
Décongélation manuelle	27
Keep Warm Plus (Réchaud)	27
Hot Water (Eau chaude)	28
Help (Aide)	29
Help (Aide - sur l'afficheur)	30
Mode de démonstration	30
Timer (Minuterie)	30
Cuisson à séquences multiples	31
Réglage des temps de cuisson	31
Add-A-Minute	32

Table des matières

Entretien du produit _____	33
Nettoyage et entretien _____	33
Surfaces du four _____	33
Intérieur _____	33
Surfaces de verre _____	33
Surface en acier inoxydable _____	33
Tableau de commandes _____	34
Désodorisation _____	34
Plateau tournant et support de plateau tournant _____	34
Couvercle du guide d'ondes _____	34
Dépannage _____	35
Informations de dépannage _____	36
Garantie _____	37

Avertissements

Les mises en garde et les importantes consignes de sécurité apparaissant dans ce manuel ne couvrent pas toutes les conditions et situations possibles. Il faut exercer son bon sens, de la prudence et de l'attention en installant, en entretenant ou en utilisant cet appareil.

TOUJOURS communiquer avec le fabricant au sujet des problèmes ou des conditions que vous ne comprenez pas.

Reconnaissez les symboles, mots et étiquettes de sécurité

DANGER

Risques ou comportements non sécuritaires qui AURONT pour conséquence de sévères blessures ou la mort.

AVERTISSEMENT

Risques ou comportements non sécuritaires qui POURRAIENT avoir pour conséquence de sévères blessures ou la mort.

AVERTISSEMENT

Risques ou comportements non sécuritaires qui POURRAIENT avoir pour conséquence des blessures mineures ou des dommages matériels.

Tous les messages de sécurité vous indiqueront le type de risque, comment réduire le risque de blessure et ce qui peut arriver si vous n'observez pas les instructions.

Lire et observer toutes les instructions avant d'utiliser cet appareil pour prévenir le risque d'incendie, les décharges électriques, les blessures corporelles ou les dommages à l'appareil résultant de son usage inadéquat. N'utiliser l'appareil qu'aux fins décrites dans ce manuel.

Pour garantir une utilisation appropriée et sans danger : un technicien qualifié doit installer correctement cet appareil et le mettre à la terre. **NE PAS** essayer d'ajuster, réparer ou remplacer de pièce de votre appareil à moins d'une recommandation spécifique dans ce mode d'emploi. Il faut confier toutes les autres réparations à un technicien qualifié.

Advertissements

PRÉCAUTIONS POUR ÉVITER LE RISQUE D'UNE EXPOSITION AUX MICRO-ONDES

- (a) Ne pas essayer de faire fonctionner ce four lorsque que la porte est ouverte, car le fonctionnement avec la porte ouverte pourrait entraîner une exposition dangereuse aux micro-ondes. Il est important que le système de fermeture de sûreté ne soit pas désamorcé ou modifié.
- (b) Ne placer aucun objet entre le cadre et la porte du four et ne pas laisser de saleté ou de traces de produits de nettoyage s'accumuler sur les surfaces d'étanchéité.
- (c) Ne pas utiliser le four s'il est endommagé. Il est particulièrement important que la porte ferme correctement et que les éléments suivants ne présentent pas de défauts : (1) porte (gauchie), (2) charnières et verrous (brisés ou desserrés), (3) joints et surfaces d'étanchéité de la porte.
- (d) Le four ne doit être réglé ou réparé que par du personnel d'entretien qualifié.

ATTENTION



Un mauvais usage de la prise de terre peut causer des chocs électriques.

PRÉCAUTIONS IMPORTANTES

Certaines précautions de sécurité devraient toujours être prises lorsqu'on se sert d'appareils électriques :

AVERTISSEMENT - Pour réduire les risques de brûlures, de chocs électriques, de feu, de blessures ou d'exposition aux micro-ondes :

- Lire toutes les instructions avant de se servir de l'appareil.
- Lire et suivre les PRÉCAUTIONS POUR ÉVITER LE RISQUE D'UNE EXPOSITION AUX MICRO-ONDES à la page 2.
- Cet appareil doit être mis à la terre. Brancher seulement à une prise à trois broches. Se reporter aux «INSTRUCTIONS DE MISE À LA TERRE ÉLECTRIQUES», à la page 6.
- Installer ou placer l'appareil conformément aux instructions d'installation fournies.
- Certains produits comme des oeufs entiers et des contenants scellés – par exemple des bocaux en verre fermés – peuvent exploser et ne devraient pas être utilisés dans ce four.
- N'utiliser cet appareil qu'aux fins décrites dans ce manuel. Ne pas utiliser de produits corrosifs dans le four à micro-ondes. Ce four a été conçu pour la cuisson et le séchage des aliments, et non pour un usage industriel ou des laboratoire.
- Comme pour tout appareil, exercer une surveillance étroite quand des enfants l'utilisent.
- Pour réduire les risques de feu à l'intérieur du four:
 - Ne pas trop faire cuire les aliments. Rester prudemment près du four lorsqu'on utilise du papier, du plastique ou tout autre matériel combustible pour faciliter la cuisson.
 - Retirer les attaches de métal des sacs de papier ou de plastique avant de mettre les sacs au four.
 - Si les matériaux à l'intérieur du four prennent feu, garder la porte du four fermée, arrêter le four et débrancher la fiche ou couper l'électricité au panneau d'entrée.
 - Ne pas utiliser la cavité comme espace de rangement. Ne laisser ni papier, ni ustensiles, ni aliments dans la cavité lorsque l'appareil n'est pas utilisé.

PRÉCAUTIONS IMPORTANTES

- Ne pas faire fonctionner l'appareil si le cordon ou la fiche sont endommagés, si l'appareil ne fonctionne pas bien ou s'il a été endommagé ou est tombé.
- Cet appareil ne doit être réparé que par du personnel de service autorisé. Communiquer avec le service de réparations autorisé Viking le plus proche pour un examen, une réparation ou un réglage.
- Ne pas couvrir ni bloquer d'ouverture de l'appareil.
- Ne pas entreposer ni utiliser cet appareil à l'extérieur. Ne pas utiliser ce produit auprès de l'eau – comme par exemple près d'un évier de cuisine, dans un sous-sol humide, près d'une piscine ou dans d'autres endroits semblables.
- Ne pas immerger le cordon ou la fiche dans l'eau.
- Garder le cordon loin des surfaces chauffées.
- Ne pas laisser pendre le cordon de la table ou du comptoir.
- Voir les instructions pour le nettoyage de la surface de la porte à la page 33.
- Ne pas monter sur un évier.
- Ne pas emmagasiner directement sur la surface d'appareil quand l'appareil est dans l'opération.

PRÉCAUTIONS IMPORTANTES

- Des liquides tels que l'eau, le café ou le thé peuvent chauffer au-delà du point d'ébullition sans qu'aucun bouillonnement n'apparaisse. Ainsi, quand le contenant est retiré du four, il peut ne pas y avoir d'ébullition ou de bouillonnement apparents. **IL PEUT EN RÉSULTER UN DÉBORDEMENT DES LIQUIDES TRÈS CHAUDS LORSQU'UNE CUILLER OU UN AUTRE USTENSILE EST PLONGÉ DANS LE LIQUIDE.**
Pour réduire le risque de blessures personnelles:
 - Ne pas trop chauffer le liquide.
 - Remuer le liquide avant de le chauffer et à mi-cuisson.
 - Ne pas utiliser de contenants à bords droits et à goulot mince. Utiliser un bocal à large goulot.
 - Après le chauffage, laisser reposer le contenant dans le four à micro-ondes pour au moins 20 secondes avant de le retirer.
 - En plongeant une cuiller ou un autre ustensile dans le contenant, le faire très soigneusement.
- Si la lumière du four ne s'allume pas, communiquer avec un BUREAU DE SERVICE VIKING AUTORISÉ.

CONSERVER CE MODE D'EMPLOI

IMPORTANT – Prière de lire et de suivre

INSTRUCTIONS DE MISE À LA TERRE ÉLECTRIQUES

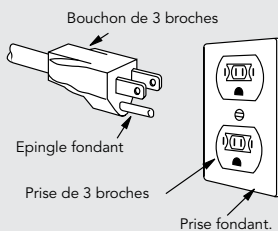
Cet appareil doit être mis à la terre. En cas de court-circuit électrique, la mise à la terre réduit les risques de choc électrique en permettant au courant de s'échapper par le fil de mise à la terre. Ce four est équipé d'un cordon d'alimentation avec fil de mise à la terre, et d'une fiche de mise à la terre. Il faut le brancher dans une prise murale correctement installée correctement et mise à la terre selon le Code national de l'électricité et les codes et décrets locaux.

⚠ ADVERTISSEMENT

Un mauvais usage de la prise de terre peut causer des chocs électriques.

Installation électrique

Le four est équipé d'une fiche de terre à trois broches. **IL NE FAUT EN AUCUN CAS ENLEVER LA BROCHE DE MISE À LA TERRE DE LA FICHE. N'UTILISE PAS UNE RALLONGE.** Si le cordon d'alimentation est trop court, demander à un électricien ou un réparateur qualifié de poser une prise près de l'appareil.



Il faut connecter le cordon d'alimentation et la fiche sur un circuit séparé de 120 volts CA, 60 Hz, 15 A ou plus, avec prise murale simple avec terre. La prise doit être située dans l'armoire directement au-dessus de l'emplacement de montage du four à micro-ondes. Comme illustré.

REMARQUES :

- Pour toute question à propos de l'installation électrique ou de la mise à la terre, consulter un électricien de métier ou un réparateur qualifié.
- Ni Viking ni le détaillant ne peuvent être tenus responsables des dommages au four ou des blessures causés par une installation qui ne respecte pas les normes.

Interférence radio ou télévision

Si le four à micro-ondes provoque de l'interférence avec la radio ou la télévision, vérifier qu'il est branché sur un circuit indépendant, en éloigner la radio ou la télévision le plus possible et vérifier la position et le signal de l'antenne de réception.

IMPORTANT – Prière de lire et de suivre

AVANT D'UTILISER LE FOUR À MICRO-ONDES

Ne **JAMAIS** se servir du four sans le plateau tournant et le support. Ne pas installer le plateau tournant à l'envers pour faire entrer dans le four un plat de grandes dimensions. Le plateau tourne dans les deux sens. Voir la page 18 pour des instructions complètes.

S'assurer à ce qu'il y ait **TOUJOURS** des aliments dans le four lorsqu'il est allumé, de sorte qu'ils absorbent l'énergie produite.

Quand on utilise le four à des niveaux de puissance inférieurs à 100 %, on peut entendre la mise en marche et l'arrêt du magnétron. Il est normal que l'extérieur du four soit chaud au toucher pendant la cuisson ou le réchauffement.

La condensation est un phénomène normal pendant la cuisson au four à micro-ondes. L'humidité ambiante et la teneur en eau des aliments déterminent le degré de condensation à l'intérieur du four. En règle générale, les aliments couverts produisent moins de condensation que les aliments cuits à découvert. Veiller à ce que les événements à l'arrière du four soient toujours dégagés.

Ce four est conçu seulement pour la préparation des aliments. Il ne doit pas être utilisé pour sécher des vêtements ou des journaux.

La puissance nominale de ce four est de 1100 watts calculée par la méthode d'essai CEI. **Vérifier la cuisson des aliments une minute ou deux avant la fin de la période minimum de cuisson indiquée sur les recettes et les emballages et, s'il y a lieu, augmenter le temps de cuisson.**

Sécurité de la batterie de cuisine

- Utiliser des manicles sèches et solides. Les manicles humides pourraient causer des brûlures de vapeur. Il **NE** faut **JAMAIS** se servir de linges à vaisselle ou autres substituts, car ils pourraient trainer sur des éléments chauds et prendre en feu ou être pris dans les pièces de l'appareil.
- **NE PAS** chauffer de contenants fermés d'aliments; de la pression pourrait s'accumuler, faire exploser le contenant et causer des blessures.
- Faire attention en ouvrant la porte du four à micro-ondes. Laisser l'air chaud ou la vapeur s'échapper avant de retirer ou de remettre des aliments.
- **AVERTISSEMENT RELATIF AUX ALIMENTS PRÉPARÉS** : Observer les instructions du fabricant des aliments. Si un contenant en plastique d'aliments congelés ou son couvercle se déforme, gauchit ou est autrement endommagé durant la cuisson, jeter immédiatement les aliments et le contenant. Les aliments peuvent être contaminés.

IMPORTANT – Prière de lire et de suivre

Il n'est pas nécessaire d'acheter une nouvelle batterie de cuisine. La plupart des ustensiles dont on dispose habituellement dans un ménage peuvent être utilisés dans le four à micro-ondes. S'assurer que les ustensiles ne touchent pas les parois intérieures pendant la cuisson.

On peut utiliser les ustensiles et matériaux suivants pour cuire et réchauffer sans danger dans un four à micro-ondes :

- la vitrocéramique (Pyroceram®), comme Corningware®
- le verre résistant à la chaleur (Pyrex®)
- les plastiques pour micro-ondes
- les assiettes en papier
- la céramique, la poterie, la porcelaine pour micro-ondes
- les plats à brunir (ne pas dépasser les temps de préchauffage recommandés. Suivre les instructions du fabricant.)

Les articles suivants peuvent être utilisés pour le réchauffage très court des aliments qui contiennent peu de sucre ou de graisses :

- le bois, la paille et l'osier

NE PAS UTILISER

- des poêles et des plats de cuisson métalliques
- des plats à bordure métallique
- du verre qui ne résiste pas à la chaleur
- des plastiques qui ne conviennent pas aux micro-ondes (contenant de margarine)
- des produits en papier recyclé
- des sacs en papier
- des sacs pour la conservation des aliments
- des attaches métalliques

Pour vérifier si un plat va au four à micro-ondes, le placer dans le four et mettre le four en marche à la puissance maximale pendant 30 secondes. Si le plat devient très chaud, il ne faut pas l'employer.

Les produits et articles suivants peuvent être utilisés pour couvrir les plats, récipients, etc. :

- Les essuie-tout conviennent bien pour recouvrir les aliments pendant le réchauffage et pour absorber la graisse de cuisson du bacon.
- Le papier ciré peut être employé pour la cuisson et le réchauffage.
- Le film plastique destiné spécialement à l'usage en four à micro-ondes peut être utilisé pour la cuisson et le réchauffage. Le film plastique ne doit JAMAIS entrer en contact avec les aliments. Faire une ouverture pour laisser la vapeur s'échapper.

IMPORTANT – Prière de lire et de suivre

- Les couvercles pour micro-ondes sont un très bon choix, car ils concentrent la chaleur sur les aliments et accélèrent la cuisson.
- Les sacs de cuisson au four conviennent pour les grosses pièces de viande ou les aliments à attendrir. **NE PAS UTILISER** d'attaches métalliques. Percer le sac pour laisser s'échapper la vapeur.

Utilisation du papier d'aluminium dans le four à micro-ondes :

- Un petit morceau non froissé de papier d'aluminium posé sur les aliments peut être utilisé pour protéger les parties qui décongèlent ou cuisent trop rapidement.
- Le papier d'aluminium doit être à au moins 2,5 cm des parois du four.

Pour toute question concernant les ustensiles ou la manière de couvrir les aliments, consulter un bon livre de cuisine spécialisé en micro-ondes ou suivre les conseils de la recette.

Accessoires

De nombreux accessoires pour four à micro-ondes sont offerts sur le marché. Évaluer soigneusement ses besoins avant d'en faire l'acquisition. Un thermomètre pour micro-ondes permettra de vérifier la cuisson et de s'assurer que les aliments sont cuits à point et à la bonne température. Viking n'est pas responsable des dommages au four résultant de l'utilisation d'accessoires.

Sécurité des enfants

- Les enfants de moins de 7 ans devraient utiliser le four à micro-ondes seulement sous la surveillance étroite d'un adulte. Les enfants de 7 à 12 ans devraient utiliser l'appareil sous la surveillance d'un adulte se trouvant dans la même pièce qu'eux.
- L'enfant doit être capable d'atteindre facilement le four; sinon, le faire monter sur un tabouret robuste et stable.
- Il ne faut jamais s'appuyer ou s'accrocher à la porte du four à micro-ondes. Il faut enseigner les mesures de sécurité aux enfants : employer des gants isolants, enlever les couvercles avec précaution, faire très attention aux contenants d'aliments croustillants qui peuvent devenir très chauds.
- Ne pas présumer qu'un enfant qui connaît bien une fonction de l'appareil les connaît toutes.
- Les enfants doivent savoir qu'un four à micro-ondes n'est pas un jouet. Voir la page 29 pour obtenir des renseignements sur le verrouillage de sécurité.

IMPORTANT – Prière de lire et de suivre

Sécurité des aliments

- Coloque el alimento en el centro de la cavidad de horno. Posez l'aliment au centre de la cavité du four. Disposer les aliments avec soin. Placer la partie la plus épaisse des aliments vers l'extérieur du plat.
- Surveiller le temps de cuisson. Cuire les aliments pendant la plus courte période indiquée et prolonger la cuisson au besoin. Des aliments trop cuits peuvent fumer ou prendre feu.
- Recouvrir les aliments pendant la cuisson. Selon la recette ou le livre de cuisine, utiliser un essuie-tout, du papier ciré, un film plastique allant au micro-ondes ou un couvercle. Couvrir les aliments empêche les éclaboussures et leur permet de cuire de manière uniforme.
- Protéger les parties de viande ou de volaille très minces par des petits écrans en papier d'aluminium pour éviter qu'ils ne cuisent trop vite par rapport aux parties plus épaisses.
- Si possible, remuer les aliments de l'extérieur du plat vers le centre une ou deux fois pendant la cuisson.
- Retourner les aliments comme du poulet et des galettes de viande une fois au cours de la cuisson afin d'accélérer le processus. Il faut retourner les grosses pièces comme les rôtis au moins une fois.
- Au milieu de la cuisson, déplacer les aliments comme les boulettes de viande, de l'intérieur du plat vers l'extérieur, et du haut vers le bas.
- Prévoir du temps de repos. Retirer les aliments du four et, si possible, les remuer. Couvrir les aliments pendant ce temps pour leur permettre de finir de cuire.
- Vérifier la cuisson. Rechercher les signes qui indiquent que les aliments sont cuits à point.

Ces signes incluent :

- La vapeur s'élève de toute la surface des aliments, pas seulement des bords.
- Le fond du plat est très chaud au toucher.
- Les cuisses de poulet se détachent facilement.
- La viande et la volaille ne présentent plus de parties rosées.
- Le poisson est opaque et se défait facilement à la fourchette.

IMPORTANT – Prière de lire et de suivre

Aliment	A faire	A ne pas faire
Œufs, saucisses noix, graines, fruits et légumes	<ul style="list-style-type: none"> • Percer les jaunes pour éviter qu'ils n'éclatent pendant la cuisson. • Piquer la pelure des pommes de terre, des courges ainsi que les saucisses afin de permettre à la vapeur de s'échapper. 	<ul style="list-style-type: none"> • Cuire les œufs dans leur coquille. • Réchauffer des œufs entiers. • Faire sécher les noix ou les graines dans leur écaille.
Maïs soufflé	<ul style="list-style-type: none"> • Utiliser seulement du maïs soufflé pour micro-ondes. • Attendre que seuls quelques grains isolés éclatent toutes les 1 ou 2 secondes, ou appuyer sur la touche Popcorn. 	<ul style="list-style-type: none"> • Faire éclater des grains de maïs dans des sacs de papier brun ou dans un bol de verre. • Dépasser le temps indiqué sur l'emballage.
Aliments pour bébés	<ul style="list-style-type: none"> • Transférer la nourriture dans de petits plats et faire réchauffer doucement, en remuant souvent. Vérifier la température des aliments avant de servir. • Mettre la tétine sur le biberon après l'avoir réchauffé et bien brassé celui-ci ce dernier faire le «test du poignet» avant de donner le biberon à bébé. 	<ul style="list-style-type: none"> • Faire chauffer les aliments commerciaux pour bébés dans leurs pots. • Faire chauffer des biberons jetables. • Faire chauffer les biberons avec la tétine.

IMPORTANT – Prière de lire et de suivre

Aliment	A faire	A ne pas faire
Généralités	<ul style="list-style-type: none"> Après avoir réchauffé des aliments contenant une garniture, les couper afin de laisser s'échapper la vapeur et d'éviter des brûlures. Bien mélanger les liquides avant et après la cuisson pour que la chaleur soit uniforme. Faire cuire les aliments liquides et les céréales dans un bol profond afin d'éviter qu'ils ne débordent. 	<ul style="list-style-type: none"> Réchauffer ou faire cuire des aliments dans des contenants hermétiques ou fermés en verre. Préparer des conserves au four à micro-ondes, car des bactéries dangereuses pourraient ne pas être tuées. Utiliser le four à micro-ondes pour faire de la friture. Faire sécher du bois, des courges, des herbes ou du papier.

Sécurité de la cuisson

Vérifiez que les aliments sont cuits conformément aux températures recommandées par le United States Department of Agriculture (Ministère de l'agriculture des États-Unis).

Temp	Aliment
145°F (63°C)	Poisson
160°F (71°C)	Le porc, le bœuf haché / veau / agneau, plats d'oeufs
165°F (74°C)	Pour les restes de table, les aliments réfrigérés prêts-à-réchauffer, et les aliments frais d'un traiteur ou l'équivalent. Ensemble, et le sol des morceaux de dinde / poulet / canard.
170°F (74°C)	La viande blanche de volaille
180°F (74°C)	La viande sombre de volaille.

Pour vérifier que les aliments sont cuits à point, insérer un thermomètre à viande dans un endroit épais, à l'écart de la graisse et des os. Ne **JAMAIS** laisser le thermomètre dans les aliments qui cuisent, sauf s'il est approuvé pour emploi aux micro-ondes.

IMPORTANT – Prière de lire et de suivre

- **TOUJOURS** utiliser des gants isolants pour éviter des brûlures lorsque l'on se sert d'ustensiles en contact avec des aliments chauds. La chaleur transférée des aliments aux ustensiles peut provoquer des brûlures.
- Diriger la vapeur loin du visage et des mains afin d'éviter des brûlures. Soulever doucement la partie la plus éloignée des couvercles et des pellicules et ouvrir lentement les sacs de maïs soufflé ou de cuisson en les tenant loin du visage.
- Rester près du four quand il fonctionne et vérifier fréquemment la cuisson afin d'éviter de trop cuire les aliments.
- **Ne JAMAIS** entreposer des livres de cuisine ou autres objets dans la cavité du four.
- Choisir, entreposer et manipuler la nourriture de manière à préserver sa qualité et à minimiser la prolifération de bactéries alimentaires.
- Garder le couvercle du guide d'ondes propre. Les résidus d'aliments peuvent causer des étincelles ou s'enflammer.
- Retirer les aliments du four en prenant soin de ne pas toucher le système de fermeture de sûreté de la porte avec des ustensiles, ses vêtements ou les accessoires.

Réglage de l'horloge

Avant d'utiliser ce four, prendre la peine de lire intégralement ce mode d'emploi.

Avant d'utiliser le four, procéder ainsi :

1. Brancher la fiche du cordon d'alimentation. Fermer la porte.

L'indication **ENJOY** **YOUR** **OVEN** **PRESS** **CLEAR**
AND **PRESS** **CLOCK** s'affiche et clignote.

2. Appuyer sur la touche STOP/Clear. : L'indication s'affiche.
3. Régler l'horloge.

Réglage de l'horloge

1. Appuyer sur la touche Timer/Clock et sur le chiffre **2**.
2. Entrer l'heure correcte de la journée en appuyant sur les touches numériques. Appuyer à nouveau sur la touche Timer/Clock.

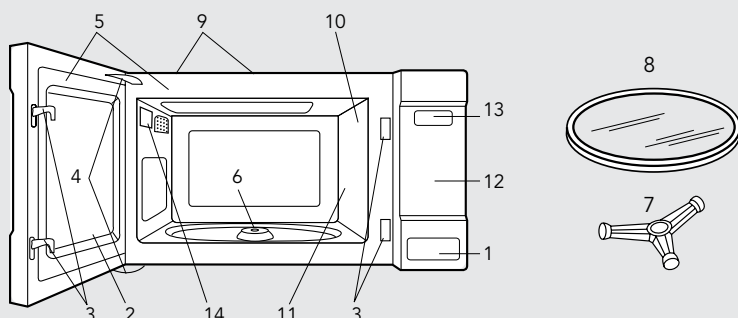
Cette horloge est conçue selon un cycle de 12 heures. En cas d'entrée d'une heure non valable, l'indication **ERROR** s'affiche. Appuyer sur la touche STOP/Clear et entrer l'heure correcte.

- Si l'alimentation électrique du four à micro-ondes est coupée, l'indication **ENJOY** **YOUR** **OVEN** **PRESS** **CLEAR** **AND** **PRESS** **CLOCK** s'affiche et clignote dès que l'alimentation est rétablie. Si cela se produit durant la cuisson, le programme de cuisson et l'heure de la journée seront effacés. Appuyer sur la touche STOP/Clear et remettre l'horloge à l'heure.

Arrêt/Annulation

- Appuyer sur la touche STOP/Clear pour :
 1. Effacer une erreur durant la programmation.
 2. Annuler le fonctionnement de la minuterie.
 3. Arrêter le four temporairement durant la cuisson.
 4. Afficher l'heure.
 5. Annuler un programme durant la cuisson, appuyer deux fois.

Caractéristiques



Vue de face

- 1 Bouton d'ouverture de la porte. Appuyer sur ce bouton pour ouvrir la porte.
- 2 Porte du four avec hublot
- 3 Verrous de la porte. Le four ne peut pas fonctionner si la porte n'est pas parfaitement fermée.
- 4 Charnières
- 5 Joints d'étanchéité et portées de ces joints
- 6 Arbre d'entraînement du plateau tournant
- 7 Support amovible du plateau tournant. Placer soigneusement le support du plateau tournant au centre du four.
- 8 Plateau tournant. Le placer sur le support et l'arbre d'entraînement. Il peut tourner dans le sens des aiguilles d'une montre ou dans le sens inverse. Ne le retirer que pour le nettoyer.
- 9 Ouvertures de ventilation (arrière)
- 10 Lampe du four. Elle s'allume lorsque la porte est ouverte ou que le four est en service.
- 11 Couvercle du guide d'ondes **NE PAS ENLEVER**
- 12 Tableau de commande à touches
- 13 Affichage de minuterie : affichage numérique, 99 minutes, 99 secondes.
- 14 Étiquette des caractéristiques nominales

! ATTENTION

Faire attention au bord de la porte du four, car elle est en verre et peut être ébréchée ou se briser.

Affichage électronique

Les mots dans la partie inférieure de l'affichage s'allumeront pour indiquer quelle fonction est en cours.

17 Power Level | Help

30 Timer Clock | STOP Clear | START Add+Minute

14

28 Hot Water | Sensor Reheat | Keep Warm Plus

21

20 Baked Potatoes | Popcorn | Fresh Vegetables

22 Ground Meat | Rice | Fish Seafood

23 Frozen Entrees | Chicken Breast | Frozen Vegetables

24 Fresh Rolls Muffins | Beverage | Frozen Rolls Muffins

26 Ground Meat | Steaks Chops | Poultry Boneless | Poultry Bone-in

29

32

27

20

21

22

23

24

26

Les chiffres en marge de l'illustration du tableau de commande renvoient aux pages sur lesquelles on trouve des descriptions des caractéristiques et des renseignements concernant le mode d'emploi.

Tableau de commande

Panneau de commandes et réglages

Temps de cuisson

Le four peut être programmé pour une durée de 99 minutes et 99 secondes. Toujours entrer les secondes après les minutes, même si le nombre de secondes est égal à zéro.

- **Supposons que l'on veuille cuire pendant cinq minutes à 100 %.**
 1. Indiquer le temps de cuisson **5|0|0**.
 2. Appuyer sur la touche START/Add-A-Minute.

Réglage du niveau de puissance

Onze niveaux de puissance sont prévus. Plus le niveau de puissance est faible, plus le temps de cuisson est long, ce qui est conseillé pour les aliments tels que le fromage, le lait ou les viandes qui exigent une cuisson lente. Consulter un livre de cuisine ou de recettes pour chaque cas particulier.

- **Pour dégivrer pour 5 minutes à 30%.**
 1. Entrer la durée de décongélation en composant **5|0|0**.
 2. Appuyer huit fois sur la touche Power Level.
 3. Appuyer sur la touche START/Add-A-Minute.

Appuyer sur la touche Power Level jusqu'à ce que le niveau de puissance désiré s'affiche	Pourcentage approximatif de la puissance	Noms donnés aux niveaux de puissance
Power Level x 1	100%	High (élevé)
Power Level x 2	90%	
Power Level x 3	80%	
Power Level x 4	70%	Medium High (mi-élevé)
Power Level x 5	60%	
Power Level x 6	50%	Medium (moyen)
Power Level x 7	40%	
Power Level x 8	30%	Med Low/Defrost (mi-faible/décongélation)
Power Level x 9	20%	
Power Level x 10	10%	Low (faible)
Power Level x 11	0%	

Panneau de commandes et réglages

Cuisson commandée par capteur

Le capteur est un dispositif à semi-conducteur qui détecte la vapeur (humidité) émise par les aliments qui sont chauffés. Il permet de régler les durées de cuisson et la puissance de chauffe en fonction des divers aliments et de leur quantité.

- Après le branchement du four, attendre 2 minutes avant d'utiliser ce type de cuisson.
- S'assurer que l'extérieur du récipient de cuisson et l'intérieur du four sont secs. Essuyer toute trace d'humidité avec un chiffon sec ou un essuie-tout.
- Le four fonctionne lorsqu'il s'agit d'aliments conservés à la température de rangement normal. Par exemple, le maïs soufflé devrait être à la température de la pièce.
- Toute sélection de cuisson commandée par capteur peut être programmée avec un réglage supérieur ou inférieur à la durée. Voir la page 30.
- Si la quantité d'aliments est inférieure ou supérieure à celle du tableau, on doit tenir compte des conseils fournis dans un livre de cuisine pour four à micro-ondes.
- Au cours de la première période de cuisson, le nom de l'aliment s'affiche. Ne pas ouvrir la porte du four, ni appuyer sur la touche STOP/Clear au cours de cette période, car cela provoquerait l'interruption de la mesure du degré d'humidité. Si ces consignes ne sont pas respectées, un message d'erreur s'affiche et la cuisson commandée par le capteur s'arrête. Pour poursuivre la cuisson, appuyer sur la touche STOP/Clear et choisir le temps de cuisson et le niveau de puissance.

Lorsque le capteur détecte la vapeur émise par les aliments, le temps restant avant la fin de la cuisson est indiqué sur le four. On peut ouvrir la porte lorsque ce temps de cuisson restant s'affiche. À ce moment-là, on peut aussi remuer les aliments et les assaisonner, au goût.

- Si pendant le soufflage du maïs, le capteur ne détecte pas correctement la vapeur émise, le four cesse de fonctionner et l'heure réelle du jour est affichée. Si le capteur ne détecte pas correctement la vapeur émise lors de la cuisson d'autres aliments, l'indication ERROR s'affiche et le four cesse de fonctionner.
- Vérifier la cuisson des aliments à la fin de la cuisson commandée par le capteur. Si une prolongation de la cuisson est nécessaire, préciser la durée et le niveau de puissance.
- Il y a un conseil de cuisson pour chaque aliment. Appuyer sur la touche Help lorsque l'indicateur HELP est affiché.

Panneau de commandes et réglages

Manières de couvrir les aliments

Certains aliments cuisent mieux quand ils sont couverts. Procéder selon les instructions fournies dans le tableau pour ces aliments.

1. Couvercle.
2. Pellicule plastique : Utiliser une pellicule plastique recommandée pour les fours à micro-ondes. Couvrir le plat sans serrer et en conservant une ouverture de 1,25 cm (1/2 po) de manière à ce que la vapeur puisse s'échapper. La pellicule plastique ne doit pas être en contact avec les aliments.
3. Papier ciré : Couvrir entièrement le plat et replier le papier sous le plat de manière à ce qu'il soit maintenu. Si le plat est plus grand que la largeur du papier, utiliser deux morceaux de papier placés de manière à ce qu'ils se chevauchent d'au moins 2,5 cm (1 po).

S'assurer, lorsque l'on retire l'élément ayant servi à couvrir les aliments, que la vapeur s'échappe du côté opposé à l'utilisateur.

Panneau de commandes et réglages

Sensor Cook (Cuisson au capteur)

Vous pouvez cuire de nombreux aliments en appuyant sur la touche Sensor Cook et sur le chiffre de l'aliment. Vous n'avez pas besoin de calculer le temps de cuisson ou le niveau de puissance.

- **Sensor Reheat (Réchauffage).**

1. Appuyer sur la touche Sensor Reheat.

Lorsque le capteur détecte la vapeur dégagée par les aliments, la durée de cuisson qui reste s'affiche.

REMARQUES :

- *Sensor Cook peut être programmé avec plus ou moins de temps de cuisson. Voir page 31.*
- *Le résultat final variera selon l'état des aliments (par ex. température initiale, forme, qualité). Vérifier la température des aliments après chauffage. S'il y a besoin de plus de temps, continuer à chauffer manuellement.*

Tableau Sensor Cook (Cuisson au capteur)

Aliment	Quantité	Marche à suivre
Sensor Reheat (Réchauffage)	4 à 36 onces	Déposer les aliments dans un plat ou un bol légèrement plus grand que la quantité à réchauffer. Couvrir avec le couvercle, une pellicule plastique ou du papier ciré. Utiliser de préférence ces deux premiers dans le cas de grandes quantités ou d'aliments denses comme les ragoûts. Après réchauffage, remuer soigneusement si cela est possible. Les aliments doivent être très chauds. Après avoir remué les aliments, les couvrir à nouveau et les laisser reposer de 2 à 3 minutes. Si ce n'est pas le cas, poursuivre le réchauffage en précisant la durée et le niveau de puissance.
Baked Potatoes (Pommes de terre au four)	1 à 8 moyennes	Piquer les pommes de terre. Les placer sur un essuie-tout et les déposer sur le plateau tournant. Après la cuisson, les retirer du four, les envelopper dans une feuille d'aluminium et les laisser reposer pendant 5 à 10 minutes.

Panneau de commandes et réglages

Tableau Sensor Cook (Cuisson au capteur)

Aliment	Quantité	Marche à suivre
Popcorn (Maïs soufflé)	Sac de 1,5 - 3,5 oz. (normal)	N'utiliser que du maïs soufflé pour micro-ondes. Essayer plusieurs marques et choisir celle qui donne les meilleurs résultats. Ne pas tenter de souffler les grains qui n'ont pas éclaté.
Fresh vegetables: (Légumes frais)	tendres	Laver les légumes, puis les placer dans un bol. Ne pas ajouter d'eau si les légumes viennent tout juste d'être lavés. Couvrir avec le couvercle pour obtenir des légumes tendres. Utiliser une pellicule plastique pour obtenir des légumes tendres mais croustillants. Appuyer sur la touche Fresh Vegetables. Après cuisson, laissez reposer recouvert de 2 à 5 minutes.
Brocoli	0,25 à 2,0 livres	
Choux de Bruxelles	0,25 à 2,0 livres	
Chou	0,25 à 2,0 livres	
Chou-fleur: en bouquets entier	0,25 à 2,0 livres 1 moyen	
Épinards	0,25 à 1,0 livres	
Zucchini	0,25 à 2,0 livres	
Pommes cuites	2 à 4 moyennes	
Fresh vegetables: (Légumes frais)	croquants	Les placer dans un bol. Ajoutez 1 à 4 cuillères à soupe d'eau. Posez un couvercle sur les légumes à cuisson tendre, ou du film plastique pour une cuisson plus croquante. Appuyer sur la touche Fresh Vegetables deux fois. Après cuisson, laissez reposer recouvert de 2 à 5 minutes.
Carottes en tranches	0,25 à 1,5 livres	
Maïs en épi	2 à 4 pièces	
Haricots verts	0,25 à 1,5 livres	
Courge d'hiver courges: en dés coupées en moitié	0,25 à 1,5 livres 1 à 2	

Panneau de commandes et réglages

Tableau Sensor Cook (Cuisson au capteur)

Aliment	Quantité	Marche à suivre															
Ground Meat (Viande hachée bifeck)	0,25 à 2,0 lb.	Utilisez ce réglage pour cuire du bœuf ou de la dinde hachés en fricadelles ou en cocotte avec d'autres ingrédients. Placez les fricadelles sur une grille transparente aux micro-ondes et couvrez de papier ciré. Placez la viande hachée dans une cocotte et couvrez avec du papier ciré ou du film plastique. Quand le four s'arrête, retournez les fricadelles ou tournez la viande dans la cocotte pour séparer les gros morceaux. Recouvrir et appuyer sur START/Add-A-Minute. Après la cuisson, laissez reposer, à couvert, 2 à 3 minutes.															
Rice (Riz)	0,5 à 2,0 tasses	Placez le riz dans une cocotte profonde et ajoutez le double d'eau. Couvrez d'un couvercle ou film plastique. Après la cuisson, remuer, couvrez et laissez reposer de 3 à 5 minutes ou jusqu'à ce que tout le liquide ait été absorbé.															
		<table border="1"> <thead> <tr> <th>Riz</th> <th>Eau</th> <th>Taille de la cocotte</th> </tr> </thead> <tbody> <tr> <td>0,5 tasse</td> <td>1 tasse</td> <td>1,5 pintes</td> </tr> <tr> <td>1,0 tasse</td> <td>2 tasses</td> <td>2 pintes</td> </tr> <tr> <td>1,5 tasses</td> <td>3 tasses</td> <td>2.5 ou 3 pintes</td> </tr> <tr> <td>2,0 tasses</td> <td>4 tasses</td> <td>3 pintes ou plus</td> </tr> </tbody> </table>	Riz	Eau	Taille de la cocotte	0,5 tasse	1 tasse	1,5 pintes	1,0 tasse	2 tasses	2 pintes	1,5 tasses	3 tasses	2.5 ou 3 pintes	2,0 tasses	4 tasses	3 pintes ou plus
		Riz	Eau	Taille de la cocotte													
		0,5 tasse	1 tasse	1,5 pintes													
		1,0 tasse	2 tasses	2 pintes													
1,5 tasses	3 tasses	2.5 ou 3 pintes															
2,0 tasses	4 tasses	3 pintes ou plus															
Fish/ Seafood (Poissons, fruits de mer)	0,25 à 2,0 lb.	Disposer en anneau autour d'un plat (enroulez les filets afin qu'ils reposent sur leurs bords repliés). Recouvrez de film plastique. Après la cuisson, laissez reposer recouverts pendant 3 minutes.															
Frozen Entrees (Plats principaux surgelés)	6 à 17 oz.	Utilisez pour les légumes surgelés prêts à servir. Les résultats seront bons dans la plupart des cas. Faites quelques essais pour trouver votre marque préférée. Sortez le paquet de la boîte emballage et suivez les indications pour couvrir. Après la cuisson, laissez reposer recouvert de 1 à 3 minutes.															

Panneau de commandes et réglages

Tableau Sensor Cook (Cuisson au capteur)

Aliment	Quantité	Marche à suivre
Chicken Breast (Blanc de poulet)	0,5 à 2,0 lb.	Couvrez avec du film plastique ventilé. Quand le four s'arrête, retournez. Protéger avec de petits morceaux plats de papier aluminium les zones qui cuisent trop rapidement. Recouvrez et appuyez sur START/Add-A-Minute. Après la cuisson, laissez reposer, à couvert, 2 à 3 minutes. Le poulet doit être à 74°C (165°F).
Frozen Vegetables (Légumes surgelés)	0,25 à 1,25 lb.	Ne pas ajouter d'eau. Mettez sous couvercle ou film plastique. Après la cuisson, remuez et laissez reposer recouvert pendant 3 minutes.

Reheat (Réchauffage)

Reheat vous permet de chauffer trois de vos aliments favoris en appuyant juste sur une touche.

- **Deux petits pains frais ou muffins.**

1. Appuyer sur la touche Fresh Rolls/Muffins 2 fois.
2. Appuyer sur la touche START/Add-A-Minute.

REMARQUES :

- *Pour augmenter la quantité, appuyer sur la touche choisie jusqu'à ce que le chiffre affiché soit le même que celui de la quantité à cuire désirée. Ex : Appuyer sur Beverage trois fois pour 1,5 tasse. Il faut chauffer une quantité plus ou moins grande que celle inscrite au tableau selon les directives d'un livre de cuisine aux micro-ondes.*
- *Reheat peut être programmé avec plus ou moins de temps de cuisson. Voir page 31.*
- *Le résultat final variera selon l'état des aliments (par ex. température initiale, forme, qualité). Vérifier la température des aliments après chauffage. S'il y a besoin de plus de temps, continuer à chauffer manuellement.*

Panneau de commandes et réglages

Tableau Reheat

Aliment	Quantité	Marche à suivre
Fresh Rolls/ Muffins (Pain)	1 - 10	Utiliser cette touche pour chauffer petits pains, muffins, biscuits, baguels, etc. Les gros aliments doivent être comptés comme 2 à 3 de taille normale. Arranger sur une assiette, couvrir avec une serviette en papier. Pour des petits pains ou des muffins réfrigérés, il pourrait être nécessaire de doubler la quantité entrée afin obtenir la bonne température pour servir. Par exemple, entrer une quantité de 2 pour 1 muffin réfrigéré
Beverage (Boissons)	0,5 à 2,0 tasses	Ce réglage est bon pour amener une boisson froide à une meilleure température pour boire. Bien mélanger les liquides avant et après la cuisson pour éviter une « éruption ». Appuyer sur la touche Beverage. Appuyer sur la touche pour la quantité (tazas). Une fois----- 0,5 tasse Deux fois ----- 1,0 tasse 3 fois ----- 1,5 tasses 4 fois ----- 2,0 tasses
Frozen Rolls/ Muffins (Pain surgele)	1 - 10	Utiliser cette touche pour chauffer petits pains, muffins, biscuits, baguels congelés, etc. Les gros aliments doivent être comptés comme 2 à 3 de taille normale. Arranger sur une assiette, couvrir avec une serviette en papier.

Panneau de commandes et réglages

Defrost (Décongélation)

Defrost décongèle automatiquement tous les aliments indiqués au Tableau Defrost ci-dessous.

Arrondir le poids à la demi-livre la plus proche. (Ex. : Si le poids du bifteck est 2,2 lb., arrondir à 2 lb. Si le poids du bifteck est 2,4 lb., arrondir à 2,5 lb.). Appuyer sur la touche Defrost et sur le chiffre désiré pour le choix de l'aliment. Entrer ensuite le poids en incréments de 0,1 lb.

- **Un steak de 3 livres.**

1. Appuyer sur la touche Defrost et **[2]**, pour Steaks/Chops. Entrer le poids de 3 lb. Appuyer sur la touche START/Add-A-Minute.

Le four s'arrêtera et des instructions seront affichées.

2. À la fin de la première étape, ouvrir la porte. Retourner le steak et protéger les parties chaudes. Refermer la porte. Appuyer sur la touche START/Add-A-Minute.
3. À la fin de la seconde étape, ouvrir la porte. Protéger les parties chaudes. Refermer la porte. Appuyer sur la touche START/Add-A-Minute.
4. À la fin de la décongélation, couvrir et laisser reposer conformément au Tableau Defrost ci-dessous.

REMARQUES :

- *Vous pouvez programmer un choix Defrost avec plus ou moins de temps. Appuyer sur la touche Power Level une ou deux fois après avoir choisi la quantité. Voir page 31.*
- *Pour décongeler d'autres aliments ou des quantités d'aliments supérieures ou inférieures à celles indiquées dans le Tableau Defrost, utiliser la puissance 30 % et préciser le temps. Se reporter à la page 26, «Décongélation manuelle».*
- *Si vous tentez d'entrer une quantité d'aliments supérieure ou inférieure à la limite permise (indiquée dans le tableau qui suit), un message d'erreur est affiché.*

Panneau de commandes et réglages

Tableau Defrost (Décongélation)

Aliment	Quantité	Marche à suivre
Ground Meat (Viande hachée)	0,5 à 2,0 livres	Séparer en enlever les morceaux dégelés après chaque étape. Laisser reposer, à couvert, 5 à 10 minutes.
Steaks/Chops (Bifteck/ Côtelettes)	0,5 à 3,0 livres	Après chaque étape du cycle de décongélation, changer la disposition des aliments et protéger les parties chaudes ou décongelées au moyen de bandes de papier d'aluminium. Retirer les morceaux presque entièrement décongelés. À la fin de la décongélation, laisser reposer à couvert de 10 à 20 minutes.
Poultry - Boneless (Poulet désossé)	0,5 à 2,0 livres	Utiliser de la poitrine désossée de poulet ou de dinde. Après chaque étape, s'il y a des parties chaudes ou dégelées, réorganiser ou retirer. Laisser reposer, couvert, 10 à 20 minutes.
Poultry - Bone-in (Poulet avec os)	0,5 à 3,0 livres	Arranger les morceaux de viande avec les parties les plus épaisses vers l'extérieur du plat en verre ou de la grille allant au micro-onde. Après chaque étape, s'il y a des parties chaudes ou dégelées, réorganiser ou retirer. Laisser reposer, couvert, 10 à 20 minutes.

REMARQUE :

- Vérifier les aliments lorsque le four émet un signal sonore. Après la dernière étape, des petites portions peuvent être encore gelées. Laisser reposer de manière à ce que la décongélation se poursuive. Ne pas décongeler jusqu'à ce que tous les cristaux de glace soient fondus.
- Protéger les grosses pièces pour éviter la cuisson partielle alors que le cœur est encore congelé. Utiliser des bandes de papier d'aluminium pour protéger les bords et les parties minces des pièces à décongeler.

Panneau de commandes et réglages

Décongélation manuelle

Lorsque l'aliment à décongeler ne figure pas au Tableau Defrost ou encore si la quantité est supérieure ou inférieure aux valeurs indiquées dans la colonne quantité, il faut décongeler manuellement.

Il est possible de décongeler n'importe quel aliment cru ou cuit en utilisant le niveau de puissance 30 %. Suivre exactement la marche suivre en 3 étapes sous le réglage du niveau de puissance. Estimer la durée de décongélation et appuyer sur la touche Power Level huit fois pour une puissance à 30 %.

Pour les aliments crus ou cuits, compter en moyenne 4 minutes pour une livre (453 g). Par exemple, choisir 4 minutes pour une livre (453 g) de sauce à spaghetti.

Arrêter le four périodiquement pour retirer ou séparer les portions déjà décongelées. Si les aliments ne sont pas entièrement décongelés à l'expiration du temps indiqué, utiliser le niveau de puissance 30 % pendant des périodes d'une minute jusqu'à obtention de la décongélation complète.

Si les aliments congelés sont dans un récipient en matière plastique, ne les décongeler que pendant le temps strictement nécessaire pour les retirer du récipient, puis les déposer dans un plat convenant aux micro-ondes.

Keep Warm Plus (Réchaud)

Keep Warm Plus vous permet de garder les aliments chauds pendant 30 minutes.

Usage immédiat

- **Une tasse de soupe chaude pendant 30 minutes.**

1. Appuyer sur la touche Keep Warm Plus.
2. Entrer le temps désiré **3 0 0 0 0**.
3. Appuyer sur la touche ` START/Add-A-Minute.

Le four se mettra en marche. L'afficheur indiquera **30.00** et le compte à rebours. **KEEP** **WARM** sera affiché pendant le compte à rebours.

Panneau de commandes et réglages

En mode manuel

- **Pour cuisiner une tasse de soupe pendant 2 minutes à 70 % et garder la soupe chaude pendant 15 minutes.**

1. Entrer le temps de cuisson. **2|0|0|**.
2. Appuyer sur la touche Power Level 4 fois pour une puissance à 70 %.
3. Appuyer sur la touche Keep Warm Plus.
4. Entrer le temps désiré **1|5|0|0|**.
5. Appuyer sur la touche START/Add-A-Minute.

L'opération va commencer. Quand la cuisson sera terminée, un son long retentira et **KEEP** **WARM** s'affichera toutes les dix secondes durant le compte à rebours de 15 minutes.

NOTE:

- *Keep Warm Plus ne peut pas être programmé avec Sensor Cook, Reheat, Defrost et Hot Water.*

Hot Water (Eau chaude)

Hot Water chauffe 1 à 6 tasses d'eau du robinet pour préparer café, thé, bouillon et soupe instantanée ainsi que pour chauffer l'eau pour cuire des pâtes. Pour préparer des tasses individuelles, verser le café soluble, le thé ou le bouillon dans la tasse et remuer avant de chauffer. Laisser reposer 20 secondes après le chauffage avant de remuer et boire. Remuer avec soin après avoir retiré du four. Pour chauffer 4 à 6 tasses d'eau, verser dans une grande casserole et couvrir avec un couvercle ou une pellicule plastique. Au signal du four, ajouter les pâtes et continuer la cuisson selon les instructions du paquet. Appuyer sur la touche Hot Water une fois pour chaque tasse jusqu'à 6.

- **Trois tasses d'eau.**

1. Appuyer sur la touche Hot Water 3 fois.

Panneau de commandes et réglages

Help (Aide)

HELP offre 4 fonctions qui rendent facile l'usage de votre four grâce aux instructions de l'affichage interactif.

1. Verrouillage de sécurité

Le verrouillage de sécurité vise à empêcher que le four soit utilisé par de jeunes enfants. Le four peut être réglé de telle sorte que le tableau de commande est inopérant ou verrouillé. Pour régler, appuyer sur Help, sur la touche **1** et ensuite sur la touche START/Add-A-Minute. Si une touche est pressée, **CHILD** **LOCK ON** s'affichera.

Pour annuler, appuyer sur Help, et la touche STOP/Clear.

2. Suppression du signal sonore

Si on désire que le four n'émette pas de signal sonore pendant son fonctionnement, appuyer sur la touche Help, sur la touche **2** et ensuite sur la touche STOP/Clear.

Pour annuler et restaurer un signale audible, appuyer sur Help, la touche **2** et la touche START/Add-A-Minute.

3. Démarrage automatique

Si on désire programmer le four de façon à ce qu'il commence la cuisson à une heure précise, procéder comme suit :

- **Cuisiner un ragoût** pour 20 minutes sur 50% à 4:30. Avant tout, s'assurer que l'horloge indique l'heure exacte.
1. Appuyer sur la touche Help.
 2. Appuyer sur le chiffre **3**.
 3. Entrez l'heure de début **4****3****0**.
 4. Appuyer sur la touche Timer/Clock.
 5. Entrez les temps de cuisson en **2****0****0****0** et pavé tactile Power Level 6 fois pour 50% de la puissance.
 6. Appuyer sur la touche START/Add-A-Minute.

REMARQUES :

- Si l'horloge est correctement réglée, le démarrage automatique peut être utilisé pour le fonctionnement manuel.
- Si on ouvre la porte du four après avoir programmé un démarrage automatique, il faut appuyer sur la touche START/Add-A-Minute de manière à afficher l'heure à laquelle doit commencer la cuisson, faite de quoi celle-ci ne débutera pas à l'heure prévue.
- S'assurer que les aliments peuvent être conservés sans risque dans le four jusqu'à l'heure de leur cuisson. Les courges poivrée et musquée sont un bon choix.

Panneau de commandes et réglages

4. Choix de la langue et des unités de poids

Par défaut, ce four affiche les messages et les unités de poids en anglais. Pour changer cela, appuyer sur la touche Help et sur la touche **4** autant de fois qu'il est nécessaire pour obtenir la langue et le système d'unités souhaité. Enfin, appuyer sur la touche START/Add-A-Minute.

Appuyer sur la touche **4** pour choisir la langue et le système d'unités.

Nombre	Langue	Unité de poids
Une fois	Anglais	LBS
Deux fois	Anglais	KG
3 fois	Espagnol	LBS
4 fois	Espagnol	KG
5 fois	Français	LBS
6 fois	Français	KG

Help (Aide - sur l'afficheur)

Il Y a un conseil de cuisson pour chaque réglage de Sensor Cook, Reheat, Hot Water, Keep Warm Plus et Defrost. Si vous voulez vous y reporter, appuyer sur Help chaque fois que HELP est allumé dans l'affichage interactif pour ceux-ci et autres conseils d'utilisation manuelle.

Mode de démonstration

La démonstration du fonctionnement du four s'obtient en appuyant sur la touche Timer/Clock, la touche **0** et la touche START/Add-A-Minute pendant 3 secondes. **DEMO ON** s'affiche. Les différents modes de cuisson et les particularités du four peuvent alors être étudiés sans qu'aucune puissance ne soit utilisée. Par exemple, en appuyant sur Add-A-Minute, on affiche **1:00** et on provoque un compte à rebours rapide jusqu'à **END**.

Pour annuler, appuyer sur la touche Timer/Clock, puis sur le chiffre **0** et STOP/Clear. Si cela est plus facile, débrancher le four et le rebrancher.

Timer (Minuterie)

- **Chronométrer un appel téléphonique longue distance de 3 minutes.**

1. Appuyer sur la touche Timer/Clock et sur le chiffre **1**.
2. Indiquez le temps de cuisson.
3. Appuyer sur la touche Timer/Clock.

Panneau de commandes et réglages

Cuisson à séquences multiples

Le four peut être programmé pour 4 séquences automatiques de cuisson, passant d'un niveau de puissance à un autre automatiquement.

Parfois, les conseils de cuisson suggèrent de commencer à un certain niveau de puissance et de poursuivre à un autre niveau. Votre four à micro-ondes peut le faire automatiquement.

- **Cuisiner le rosbif** pour 5 minutes à 100 % puis pendant 30 minutes à 50 %.
1. Tout d'abord, entrer le temps de cuisson. Puis appuyer sur la touche Power Level pour choisir le niveau 100 %.
 2. Entrer ensuite la durée de la seconde séquence. Appuyer six fois sur la touche Power Level pour choisir le niveau 50%.
 3. Appuyer sur la touche START/Add-A-Minute.

REMARQUES :

- Si on appuie sur Power Level, **P-HI** s'affichera.
- Si le niveau 100 % doit être utilisé au cours de la dernière séquence, il n'est pas nécessaire d'appuyer sur la touche Power Level.
- Keep Warm Plus peut être programmé même si 4 séquences de cuisson ont été enregistrées.

Réglage des temps de cuisson

Si vous préférez les réglages de Sensor Reheat, Sensor Cook, Reheat ou Defrost un peu plus forts, appuyer une fois sur la touche Power Level après avoir appuyer sur les touches de votre choix ou avant d'appuyer sur la touche START/Add-A-Minute. **MORE** s'affichera.

Si vous préférez les réglages de Sensor Reheat, Sensor Cook, Reheat ou Defrost un peu plus faibles, appuyer deux fois sur la touche Power Level après avoir appuyer sur les touches de votre choix ou avant d'appuyer sur la touche START/Add-A-Minute. **LESS** s'affichera.

Panneau de commandes et réglages

Add-A-Minute

Add-A-Minute vous permet de faire cuire pendant une minute à la puissance de 100% en touchant simplement la touche START/Add-A-Minute. Vous pouvez également prolonger le temps de cuisson dans les multiples d'une minute en touchant à plusieurs reprises la START/Add-A-Minute pendant la cuisine manuelle.

- **Chauffer une tasse de soupe**

1. Appuyer sur la touche START/Add-A-Minute.

REMARQUES :

- *Pour utiliser Add-A-Minute, appuyer sur la touche dans un délai de trois minutes, après la cuisson, en fermant la porte, en appuyant sur STOP/Clear ou pendant la cuisson.*
- *Add-A-Minute ne peut pas être utilisé avec les Sensor Cook, Defrost, Reheat ou Hot Water.*

Nettoyage et entretien

Les pièces d'équipement fonctionnent mieux et durent plus longtemps quand elles sont entretenues correctement et tenues propres. Le matériel de cuisson ne fait pas exception. Il faut tenir propre votre four à micro-ondes et l'entretenir correctement. Débrancher le cordon d'alimentation avant de nettoyer ou laisser la porte ouverte pour désactiver le four lors du nettoyage.

Surfaces du four

La surface extérieure est recouverte d'une couche de peinture. Nettoyer la surface extérieure à l'eau et au savon; rincer et sécher au moyen d'un chiffon doux. Ne pas utiliser de produits chimiques de nettoyage ou de produits abrasifs.

Intérieur

Le nettoyage est facile car les parois intérieures n'absorbent qu'une faible quantité de chaleur de telle sorte que les éclaboussures ne cuisent pas. Pour nettoyer les parois intérieures, utiliser un chiffon doux et de l'eau tiède. **NE PAS UTILISER DE PRODUIT ABRASIF OU DE TAMPON À RÉCURER.** Pour les taches tenaces, utiliser du bicarbonate de sodium ou un savon doux. Bien rincer à l'eau chaude. **NE JAMAIS VAPORISER DE PRODUIT À NETTOYER LES FOURS DIRECTEMENT SUR L'UNE OU L'AUTRE PARTIE DE VOTRE FOUR.**

Surfaces de verre

Faire attention au bord de la porte du four, car elle est en verre et peut être ébréchée ou se briser. Essuyer les deux surfaces du hublot à l'aide d'un chiffon humide pour enlever les éclaboussures. Il est plus facile de nettoyer les parties métalliques si on les essuie fréquemment avec un chiffon humide. Éviter de vous servir de vaporisateurs ou d'autres nettoyeurs forts car ils pourraient tacher, rayer ou ternir la surface de la porte.

Surface en acier inoxydable

Il faut essuyer souvent l'extérieur avec un torchon doux et humide, puis le polir avec un torchon doux et sec pour maintenir la beauté du fini. Il y a aussi une variété de produits spécifiquement conçus pour nettoyer et polir les surfaces en acier inoxydable. Nous recommandons d'appliquer l'agent de nettoyage sur un torchon doux puis d'essuyer la surface en acier inoxydable, plutôt que d'appliquer le nettoyant directement sur la surface du four. Suivez les indications de l'emballage.

Nettoyage et entretien

Tableau de commandes

Essuyer le tableau de commande avec un chiffon humecté d'eau. Sécher avec un chiffon doux. N'utiliser ni poudre à récurer ni produits chimiques de nettoyage. Refermer la porte et appuyer sur la touche STOP/Clear.

Désodorisation

Il peut arriver qu'une odeur persiste dans le four. Pour l'éliminer, mettre dans un récipient pouvant contenir 2 tasses, 1 tasse d'eau, le zeste d'un citron, le jus du citron et plusieurs clous de girofle entiers. Faire bouillir pendant plusieurs minutes à 100 %. Conserver ce récipient dans le four jusqu'à ce qu'il soit froid. Essuyer l'intérieur du four avec un chiffon doux.

Plateau tournant et support de plateau tournant

Le plateau tournant et son support peuvent être retirés pour faciliter le nettoyage. Les laver dans une eau douce savonneuse; pour les taches tenaces, utiliser un nettoyant doux et une éponge à récurer tel que décrit ci-dessus. Ces pièces peuvent être mises dans un lave-vaisselle. Les placer sur le plateau supérieur. L'arbre du moteur du plateau tournant n'est pas scellé et il faut donc essuyer immédiatement tout surplus d'eau ou déversement.

Couvercle du guide d'ondes

Le couvercle du guide d'ondes est situé sur la paroi droite de la cavité du four. Il est fait de mica et exige donc un soin particulier. Maintenir le couvercle du guide d'ondes propre pour assurer un bon fonctionnement du four. Essuyer immédiatement et délicatement avec un chiffon humide toute éclaboussure d'aliments sur la surface du couvercle. Une accumulation d'éclaboussures peut surchauffer et causer de la fumée ou même s'enflammer. **NE PAS RETIRER LE COUVERCLE DU GUIDE D'ONDES.**

Dépannage

Procédez aux vérifications suivantes avant de faire appel au service des réparations :

Placer dans le four une tasse à mesurer en verre contenant une tasse (250 ml) d'eau et fermer la porte et bien fermer la porte.

Faire fonctionner le four à la puissance 100 % pendant une minute.

- A.** La lampe du four s'allume-t-elle? OUI _____ NON _____
- B.** Le ventilateur de refroidissement fonctionne-t-il? (Placez votre main sur le côté gauche de la persienne.) OUI _____ NON _____
- C.** Est-ce que le plateau tournant tourne? (Il est normal pour le plateau de tourner dans un sens ou dans l'autre.) OUI _____ NON _____
- D.** L'eau que vous avez placée dans le four est-elle chaude? OUI _____ NON _____

Si vous répondez «NON» à l'une de ces questions, vérifiez la prise de courant, le fusible ou le disjoncteur. S'ils fonctionnent convenablement, COMMUNIQUER AVEC LE RÉPARATEUR VIKING AUTORISÉ LE PLUS PROCHE.

Un four à micro-ondes ne doit jamais être réparé par un réparateur qui n'est pas spécialisé pour ce genre d'appareils.

REMARQUE :

Si le compte à rebours du temps affiché est très rapide, voir le mode de démonstration par 30 et annuler.

Informations de dépannage

Si du dépannage est requis, appeler votre revendeur ou une société de dépannage agréée. Ses coordonnées peuvent être obtenues du revendeur ou distributeur de votre région.

Préparer les informations suivantes à l'avance :

- Numéro de modèle
- Numéro de série
- Date d'achat
- Nom du revendeur où a eu lieu l'achat

En cas d'impossibilité d'obtention du nom d'une société de dépannage, ou si les ennuis continuent, contacter directement Viking Range Corporation au (888) 845-4641 ou écrire à :

VIKING RANGE CORPORATION
PREFERRED SERVICE
1803 Hwy 82W
Greenwood, Mississippi 38930 USA

Enregistrer les informations indiquées ci-dessous. Elles seront nécessaires si vous avez besoin d'un dépannage. Les numéros de modèle et de série de votre micro-ondes sont situés sur le côté gauche de sa cavité sur une étiquette signalétique.

Numéro de modèle _____ Numéro de série _____

Date d'achat _____ Date d'installation _____

Nom du revendeur _____

Adresse _____

Si le dépannage demande l'installation de pièces, n'utiliser que des pièces autorisées pour conserver la protection de la garantie.

**VEUILLEZ CONSERVER CE MANUEL COMME RÉFÉRENCE
ULTÉRIEURE**

Garantía

Garantía de horno de microondas D3

TRES AÑOS DE GARANTÍA TOTAL

Todos los hornos de microondas D3 Viking y todos sus componentes, excepto como se detalla más adelante* †, tienen la garantía de no tener defectos de materiales ni de mano de obra en uso residencial normal por un período de tres (3) años desde la fecha de la compra original al por menor o de la fecha de cierre para una construcción nueva, el período que fuera mayor. Viking Range Corporation, garante, acepta reparar o reemplazar, a su elección, cualquier componente que falle o que resulte defectuoso durante el período de garantía.

* **NOVENTA (90) DÍAS DE GARANTÍA ESTÉTICA TOTAL:** Se garantiza que el producto no tendrá defectos estéticos en materiales o mano de obra (tales como arañazos en el acero inoxidable, imperfecciones en la pintura/porcelana, etc.) por un período de noventa (90) días desde la fecha de la compra original al por menor o de la fecha de cierre para una construcción nueva, el período que fuera mayor. Cualquier defecto debe ser informado al distribuidor dentro de noventa (90) días desde la fecha de la compra original al por menor. Viking Range Corporation usa procesos y materiales de alta calidad para producir todos los acabados de color. Sin embargo, puede ser posible que se observe una ligera variación de color debido a diferencias inherentes en los componentes pintados y en componentes de porcelana así como por diferencias en la iluminación de la cocina, ubicaciones del producto y otros factores. Por lo tanto, esta garantía no se aplica a la variación de color atribuible a dichos factores.

† **NOVENTA (90) DÍAS DE GARANTÍA TOTAL EN APLICACIONES "RESIDENCIAL PLUS":** Esta garantía total se aplica a aplicaciones donde el uso del producto se extiende más allá del uso residencial normal, aunque el período de garantía para productos usados en dichas aplicaciones es noventa (90) días. Ejemplos de aplicaciones cubiertas por esta garantía son alojamientos que brindan alojamiento y desayuno, estaciones de bomberos, clubes privados, iglesias, yates, etc. Bajo esta garantía "Residencial Plus", el producto, sus componentes y accesorios están garantizados estar libres de defectos en materiales o mano de obra por un período de noventa (90) días desde la fecha de la compra original al por menor. Esta garantía excluye el uso del producto en ubicaciones comerciales tales como restaurantes, ubicaciones de servicios alimenticios y ubicaciones de servicios alimenticios institucionales.

CINCO AÑOS DE GARANTÍA LIMITADA

Si el tubo de magnetrón falla debido a materiales o mano de obra defectuosos en uso doméstico normal durante el período entre el cuarto y el quinto año desde la fecha de la compra original al por menor, será reparado o reemplazado sin cargo por el componente mismo, pero el propietario pagará todos los otros costos, incluyendo la mano de obra.

TÉRMINOS Y CONDICIONES

Esta garantía se extiende al comprador original del producto garantizado aquí estipulado y a cada propietario adquirente del producto durante el período de la garantía y se aplica a productos comprados y ubicados en Estados Unidos y Canadá. Los productos deben ser comprados en el país donde se solicite el servicio. Si el producto o una de sus partes componentes tiene un defecto o falla durante el período de garantía total después de un número razonable de intentos realizados por el garante para resolver el defecto o la falla, el propietario tiene derecho a un reembolso o reemplazo del producto o de sus partes componentes. El reemplazo de un componente incluye su instalación gratuita, excepto por lo especificado según la garantía limitada. Según los términos de esta garantía, el servicio debe ser realizado por un agente o representante de servicio de Viking Range Corporation autorizado por la fábrica. El servicio será proporcionado durante horas útiles normales y la mano de obra realizada a tasas de sobretiempo o con bonificación no será cubierta por esta garantía.

El propietario será responsable de la adecuada instalación, proporcionará un mantenimiento razonable y necesario, proporcionará una prueba de su compra si se le requiere y hará que el aparato sea razonablemente accesible para servicio. La devolución de la Tarjeta de registro del propietario no es una condición de cobertura de la garantía. Sin embargo, usted debe devolver la Tarjeta de registro del propietario de modo que Viking Range Corporation pueda ponerse en contacto con usted si surgiera algún aspecto de seguridad que pudiera afectarle.

Esta garantía le da derechos legales específicos, aunque usted también puede tener otros derechos que pueden variar dependiendo de la jurisdicción.

QUÉ NO ESTÁ CUBIERTO POR ESTA GARANTÍA: Esta garantía no se aplicará a daños que resulten a causa de maltrato, falta de proporcionar un mantenimiento razonable y necesario, accidente, entrega, negligencia, desastre natural, pérdida de alimentación eléctrica al producto por cualquier razón, modificación, uso en exteriores, instalación incorrecta, operación inadecuada, o reparación o servicio del producto por cualquier persona que no sea un representante o agencia de servicio autorizados por Viking Range Corporation. Esta garantía no se aplica a la utilización comercial.

LIMITACIÓN DE RESPONSABILIDAD Y DURACIÓN DE LA GARANTÍA

IMPLICITA EL ÚNICO Y EXCLUSIVO RECURSO DEL PROPIETARIO PARA UN RECLAMO DE CUALQUIER CLASE CON RESPECTO DE ESTE PRODUCTO SERÁ LAS SOLUCIONES ESTABLECIDAS ANTERIORMENTE. VIKING NO ES RESPONSABLE DE DAÑOS RESULTANTES O FORTUITOS, INCLUYENDO PERO SIN LIMITARSE A PÉRDIDAS DE ALIMENTOS O MEDICINAS, DEBIDO A FALLA DEL PRODUCTO, YA SEA QUE SURJAN PRODUCTO DEL INCUMPLIMIENTO DE LA GARANTÍA, INCUMPLIMIENTO DE CONTRATO O DE CUALQUIER OTRA MANERA. Algunas jurisdicciones no permiten la exclusión o limitación de daños fortuitos o resultantes, de modo que la limitación o exclusiones anteriores pueden no aplicarse a usted. **CUALQUIER GARANTÍA IMPLÍCITA DE COMERCIABILIDAD O IDONEIDAD PARA UN PROPÓSITO PARTICULAR APPLICABLE A ESTE PRODUCTO ESTÁ LIMITADA EN DURACIÓN AL PERÍODO DE COBERTURA DE LAS GARANTÍAS LIMITADAS ESCRITAS EXPRESAS APPLICABLES ESTABLECIDAS ANTERIORMENTE.** Algunos estados no permiten limitaciones sobre la duración de una garantía implícita, así que la limitación anterior puede no aplicarse a usted.

SERVICIO DE GARANTÍA

Para obtener el servicio de garantía, contacte con un agente de servicio autorizado de Viking Range Corporation, o con Viking Range Corporation, 111 Front Street, Greenwood, Mississippi 38930, (888) 845-4641. Proporcione el modelo y el número de serie y la fecha de la compra original o la fecha de cierre para una construcción nueva. Si desea saber cuál es la agencia de servicio autorizada de Viking Range Corporation más cercana a usted, llame a Viking Range Corporation.

IMPORTANTE: Conserve prueba de su compra original para establecer el período de garantía.

Especificaciones sujetas a cambio sin previo aviso.



Viking Range Corporation
111 Front Street
Greenwood, Mississippi 38930 USA
(662) 455-1200

For product information
call 1-888-VIKING1 (845-4641)
or visit the Viking Web site at
vikingrange.com

Free Manuals Download Website

<http://myh66.com>

<http://usermanuals.us>

<http://www.somanuals.com>

<http://www.4manuals.cc>

<http://www.manual-lib.com>

<http://www.404manual.com>

<http://www.luxmanual.com>

<http://aubethermostatmanual.com>

Golf course search by state

<http://golfingnear.com>

Email search by domain

<http://emailbydomain.com>

Auto manuals search

<http://auto.somanuals.com>

TV manuals search

<http://tv.somanuals.com>