



Standard Features & Accessories

All ovens include

- Overall capacity—3.6 cu. ft.—
24-1/8"W. x 13-3/4"H. x 18-3/4"D.
- AHAM* standard capacity—3.3 cu. ft.—
—24-1/8"W. x 13-3/4"H. x 17-1/8"D.
- Dimensioned to fit U.S.A. 36"W. or
European 90 cm cabinets
- Commercial styling and construction
- **Exclusive** combination of dual bake
burners and infrared broil burner, all
with automatic ignition
- Largest, built-in gas convection oven
cavity available
- Six functions
 - Natural airflow bake
 - Convection bake
 - Infrared broil
 - Convection infrared broil
 - Convection dehydrate
 - Convection defrost
- Electronic clock/timer
- Three heavy-duty racks/four rack
positions
- Two lights
- Can install two ovens top to bottom
(see **Installation Notes &
Accessories** for trim and gas connec-
tion kits)

*The Association of Home Appliance
Manufacturers (AHAM) standard for
measuring oven capacity subtracts the
door plug and convection baffle
dimension from the total oven volume.

Model Options



VGSO166
36"W. Single Oven

FINISH DETAILS

- Stainless Steel (SS), Black (BK), White
(WH), Metallic Silver (MS), Graphite
Gray (GG), Stone Gray (SG), Taupe (TP),
Biscuit (BT), Cotton White (CW), Oyster
Gray (OG), Golden Mist (GM),
Lemonade (LE), Sage (SA), Mint Julep
(MJ), Sea Glass (SE), Iridescent Blue (IB),
Viking Blue (VB), Pumpkin (PM), Racing
Red (RR), Apple Red (AR), Burgundy
(BU), Plum (PL), Chocolate (CH), and
Cobalt Blue (CB).
 - Finish designates door front, lower
panel, and control panel frame. Black
knob, switches, and control panel.
- White (WH)
 - Finish designates door front, lower
panel, and control panel frame.
White knob, switches, and control
panel.
- Silver finished vertical/horizontal trim
and stainless steel handle (with
chrome-plated brackets)
- Brass Trim Option (BR)—nameplate,
window trim, door handle/brackets, dual
burner thermal-convection plate, and
control panel trim. Brass components
have a durable protective coating for

ORDERING INSTRUCTIONS

First specify model number, and then color code (VGSO166SS). If ordering optional brass trim, specify code at end (VGSO166SSBR).



★ Please see Installation Notes and Accessories for important installation information, including center trim and conversion kits.



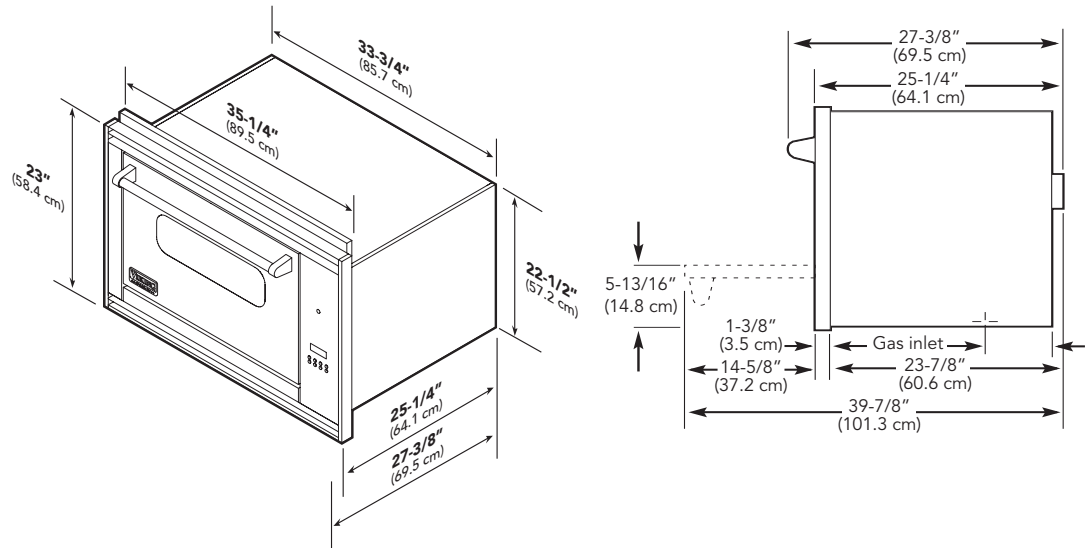
Star-K Kosher certification for use on the Jewish Sabbath or Jewish holidays

Dimensions & Specifications

PRODUCT DIMENSIONS & DOOR SWING



VGSO166
36"W. Single Oven



	VGSO166	VGSO166 X 2 + trim
Overall width	35-1/4" (89.5 cm)	
Overall height	23" (58.4 cm)	48.5" (123.2 cm)
Overall depth (from rear)		
To edge of side	25-1/4" (64.1 cm)	
To end of handle bracket	27-3/8" (69.5 cm)	
With door open	39-1/2" (100.3 cm)	
Interior (each oven)		
Width	24-1/8" (61.3 cm)	
Height	13-3/4" (34.9 cm)	
Depth	17-1/8" (43.5 cm)	
Approx. ship weight	257 lbs. (115.7 kg)	



UTILITY REQUIREMENTS



GAS

- Shipped natural gas standard; field convert to LP/propane with standard convertible regulator
- Accepts standard 1/2" (1.3 cm) ID NPT (Sch40) gas service line
- The gas supply (service) line must be the same size or greater than the inlet line of the appliance.
- Gas Manifold Pressure
 - Natural gas—5.0" W.C.P.
 - LP/propane - 10.0" W.C.P.



ELECTRICAL

- Four-foot (121.9 cm), three-wire cord with grounded three-prong plug attached to product.
- GFI ground fault outlet not recommended for use on oven.
- Electrical requirement—Normal grounded household current 120 volts, 60 Hz, 15 amps, single phase.
- Maximum amp usage—8.0



PLUMBING

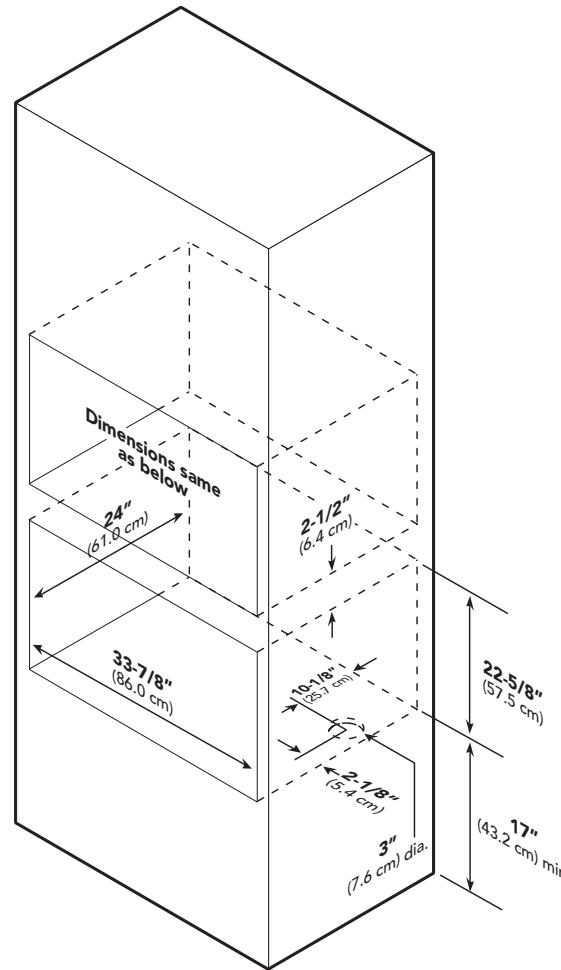
Not applicable

Installation Requirements

ACCESS REQUIREMENTS—SINGLE & DUAL INSTALLATION



VGSO166
Oven



Note: The use of cabinets for storage above the oven may result in a potential burn hazard. Combustible items may ignite, and metallic items may become hot and cause burns. If cabinet storage is to be provided, the risk can be reduced by installing a hood that projects horizontally a minimum of 5" (12.7 cm) beyond the bottom of the cabinets.

	VGSO166	VGSO166 X 2 + trim
Cutout width	33-7/8" (86.0 cm)	
Cutout height (from bottom)	22-5/8" (57.5 cm)	
Cutout depth	24" (61.0 cm) min.*	
Infrared broil burner rating—	18,000 BTU (5.3 kW) Nat./15,000 BTU (4.4 kW) LP	
Bake burner rating (two)—each at	15,000 BTU (4.4 kW) Nat./LP	

*Unit extends into cutout 23-7/8" (60.6 cm); cord protrudes 1/2" (1.3 cm) beyond 23" (58.4 cm).



✪ Installation Notes & Accessories

Double Installation Center Trim

- Stainless Steel (SS)
- Covers finish of cabinet when installed as double (two single cutouts)
- Provides continuous look and double oven appearance
- Easily attached after ovens are installed

Model	Description	Approx. ship wt. lbs. (kg)
DCT-VGSO	Center trim	2 (0.9)

Double Installation Gas Connection Kit

- Kit includes all necessary components to easy make double installation gas connection (two single cutouts)
- Flexible gas tubing
- Two fittings
- Pipe nipple
- Instructions

Model	Description	Approx. ship wt. lbs. (kg)
IKD-VGSO	Gas connection kit	2 (0.9)

Compliance Information



WARRANTY INFORMATION*

- One-year full warranty—complete product
- Five-year limited warranty—tube burners
- Ten-year limited warranty—porcelain oven and porcelain inner door panel
- Ninety-day limited warranty—cosmetic parts such as glass, painted, and decorative items

* For complete warranty see *Use & Care Guide*. Warranty valid on Viking products shipped within the United States and Canada.



Free Manuals Download Website

<http://myh66.com>

<http://usermanuals.us>

<http://www.somanuals.com>

<http://www.4manuals.cc>

<http://www.manual-lib.com>

<http://www.404manual.com>

<http://www.luxmanual.com>

<http://aubethermostatmanual.com>

Golf course search by state

<http://golfingnear.com>

Email search by domain

<http://emailbydomain.com>

Auto manuals search

<http://auto.somanuals.com>

TV manuals search

<http://tv.somanuals.com>