



Professional Freestanding Gas 60"W. Commercial Depth Open Burner Range

Standard Features & Accessories

All models include

- Both ovens
 - Overall capacity—4.2 cu. ft. (24-1/8"W. x 14-1/8"H. x 21-1/4"D.)
 - AHAM Standard capacity—3.8 cu. ft. (24-1/8"W. x 14-1/8"H. x 19-1/4"D.)
 - Three heavy-duty racks/five rack positions
 - Two lights
- Right oven only—convection bake/broil
 - **Exclusive** combination of dual bake burners and infrared broil burner, all with automatic ignition
 - Six functions—natural airflow bake, convection bake, infrared broil, convection infrared broil, convection dehydrate, and convection defrost
- Left oven only
 - Dual bake burners with automatic ignition
 - Four functions—natural airflow bake, convection bake, convection dehydrate, and convection defrost
- **Exclusive** VariSimmer™ setting for all burners
- Removable porcelain burner bowls
- Drip trays with roller bearing glides and two-quart drip pan
- Standard kickspace height

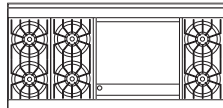
6GD models include

- Six 15,000 BTU stainless steel burners with porcelain/cast iron caps and automatic ignition/re-ignition
- 24"W. thermostatically controlled steel griddle/simmer plate (separate burners/controls for left and right side)

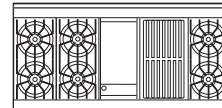
6GQD models include

- Six 15,000 BTU stainless steel burners with porcelain/cast iron caps and automatic ignition/re-ignition
- 12"W. thermostatically controlled steel griddle/simmer plate
- 12"W. grill with flavor generator plates and automatic ignition/re-ignition

Model Options



VGRC605-6GD*
Six-Burner/
Double Griddle Range



VGRC605-6GQD*
Six-Burner/
Griddle/Grill Range

FINISH DETAILS FOR BOTH MODELS

- Stainless Steel (SS), Black (BK), White (WH), Metallic Silver (MS), Graphite Gray (GG), Stone Gray (SG), Taupe (TP), Biscuit (BT), Cotton White (CW), Oyster Gray (OG), Golden Mist (GM), Lemonade (LE), Sage (SA), Mint Julep (MJ), Sea Glass (SE), Iridescent Blue (IB), Viking Blue (VB), Pumpkin (PM), Racing Red (RR), Apple Red (AR), Burgundy (BU), Plum (PL), Chocolate (CH), and Cobalt Blue (CB).
 - Finish designates door front, lower front panel, and side panels.
 - Has black porcelain grates, black porcelain burner caps, black porcelain grate supports/burner bowls, and black knobs/switches.
- White (WH)
 - Finish designates door front, lower front panel, side panels, porcelain grate supports/burner bowls, porcelain center worktop, and knobs/switches.
 - Has black porcelain grates and black porcelain burner caps.
 - All finishes have black porcelain grates, black porcelain burner caps, and black knobs/switches.
- All finishes have stainless steel handles/chrome-plated brackets and stainless steel drip tray pull, control panel, and landing ledge.
- Brass Trim Option (BR)—nameplate, window trim, handle, drip tray pull, knob bezels, thermal-convection switch bezel, and grate support side trim. Brass components have a durable protective coating for maintenance-free normal use.

*Shown throughout with 6"H. backguard. See **Installation Notes & Accessories** for details.

ORDERING INSTRUCTIONS

First specify model number, and then color code (VGRC605-6GDSS). If ordering optional brass trim, specify code at end (VGRC605-6GDSSBR). If ordering optional LP conversion, specify code at end (VGRC605-6GDSSBRLP).





Professional Freestanding Gas 60"W. Commercial Depth Open Burner Range

Dimensions & Specifications

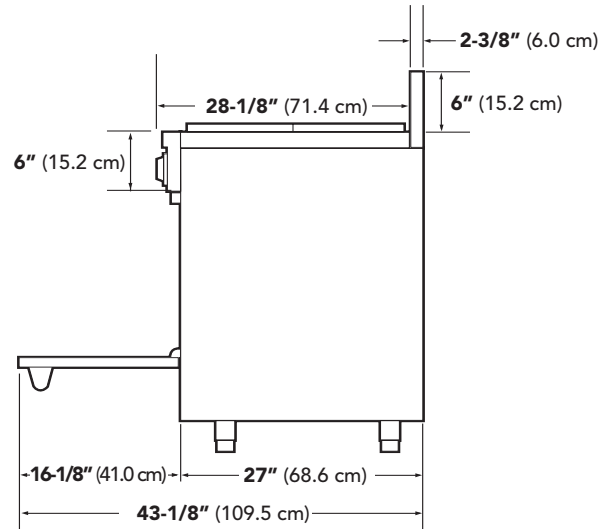
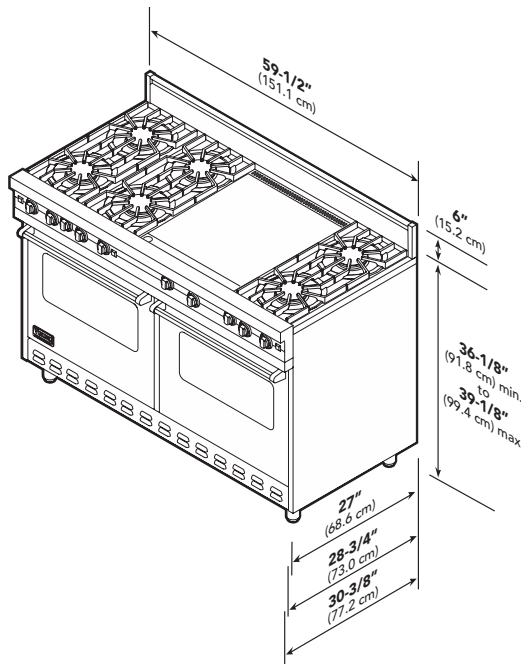
PRODUCT DIMENSIONS & DOOR SWING



VGRC605-6GD
Six-Burner/Double Griddle Range



VGRC605-6GQD
Six-Burner/Griddle/Grill Range



★ Please see Installation Notes & Accessories for important installation information including backguard, high-shelf, island trim, and curb base front.



ALL MODELS

Star-K Kosher Certification for use on the Jewish Sabbath or Jewish holidays

All models

Overall width	59-1/2" (151.1 cm)
Overall height	
Base height	
To top of grate support	36-1/8" (91.8 cm) min. to 39-1/8" (99.4 cm) max.
Legs adjust (with "spindles" fully extended)	3" (7.6 cm)
Additions to base height	
To top of grate	Add 1-1/8" (2.9 cm)
To top of island trim	Add 1-1/4" (3.2 cm)
To top of 6" backguard	Add 6" (15.2 cm)
To top of 10" backguard	Add 10" (25.4 cm)
To top of high shelf	Add 23-1/2" (59.7 cm)
Overall depth (from rear)	
To end of side panel	27" (68.6 cm)
To end of control panels	28-3/4" (73.0 cm)
To end of knobs	30-3/8" (77.2 cm)
Oven	
Interior width	24-1/8" (61.3 cm)
Interior height	14-1/8" (35.9 cm)
Interior depth	19-1/4" (48.9 cm)
Overall interior size	3.8 cu. ft.

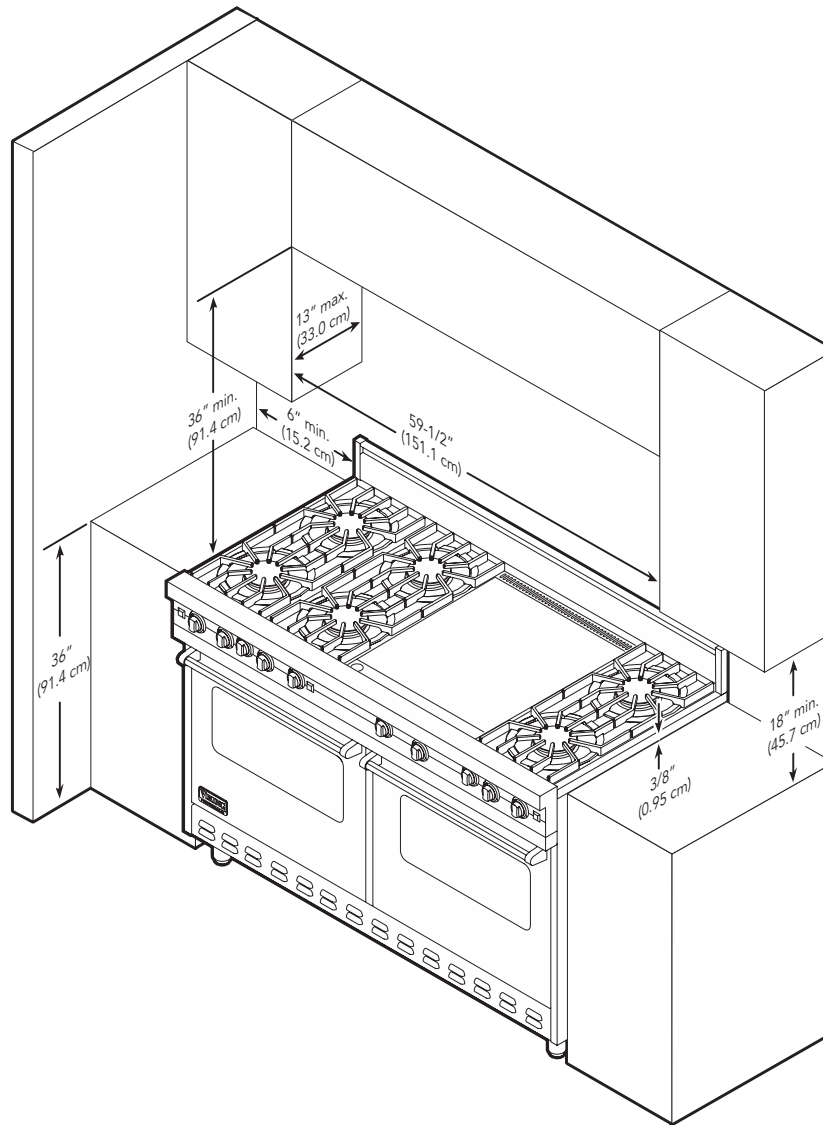




Professional Freestanding Gas 60"W. Commercial Depth Open Burner Range

Dimensions & Specifications

CLEARANCE DIMENSIONS



Minimum clearances from adjacent combustible construction

- Cooking surface and below, i.e., 36" 91.4 cm
 - o Sides—0"
 - o Rear—0" with backguard or high shelf; 0" with island trim and non-combustible rear wall; 6" (15.2 cm) with island trim and combustible rear wall.
 - o Top grate support—36" (91.4 cm)
- Above cooking surface, i.e., 36" (91.4 cm)
 - o Sides—6" (15.2 cm)
 - o Within 6" (15.2 cm) side clearance, wall cabinets no deeper than 13" (33.0 cm) must be minimum 18" (45.7 cm) above cooking surface.
 - o Wall cabinets directly above product

must be minimum 36" (91.4 cm) for open top burners above cooking surface

- Use range only with factory supplied legs

1. This range may be installed directly adjacent to existing 36" (91.4 cm) high base cabinets. **Important:** The top grate support **must** be 3/8" (0.95 cm) above the adjacent base cabinet countertop. This may be accomplished by raising the unit using the adjustment spindles on the legs.
2. The range **cannot** be installed directly adjacent to sidewalls, tall cabinets, tall appliances, or other side vertical surfaces above 36" (91.4 cm) high. There must be a minimum of 6"

(15.2 cm) side clearance from the range to such combustible surfaces above the 36" (91.4 cm) counter height.

3. Within the 6" (15.2 cm) side clearance to combustible vertical surfaces above 36" (91.4 cm), the maximum wall cabinet depth must be 13" (33.0 cm) and wall cabinets within this 6" (15.2 cm) side clearance must be 18" (45.7 cm) above the 36" (91.4 cm) high countertop.
4. Wall cabinets above the range must be a minimum of 36" (91.4 cm) above the range cooking surface for the full width of the range. This minimum height requirement does not apply if a rangehood is installed over the cooking surface.



Professional Freestanding Gas 60"W. Commercial Depth Open Burner Range

UTILITY REQUIREMENTS



GAS

- Shipped natural gas standard; field convert to LP/propane with optional accessory kit or order as LP by adding LP after color code
- Accepts standard residential 1/2" ID gas service line
- Gas manifold pressure
 - o Natural gas 5.0" W.C.P.
 - o LP/Propane 10.0" W.C.P.



ELECTRICAL

- Four-foot (121.9 cm) cord included with range
- Three-wire with ground/three-prong plug
- 120 V/60 Hz
- Maximum amp usage—
 - o 6GD—23.6
 - o 6GDQ—20.0



PLUMBING

Not applicable

Installation Requirements

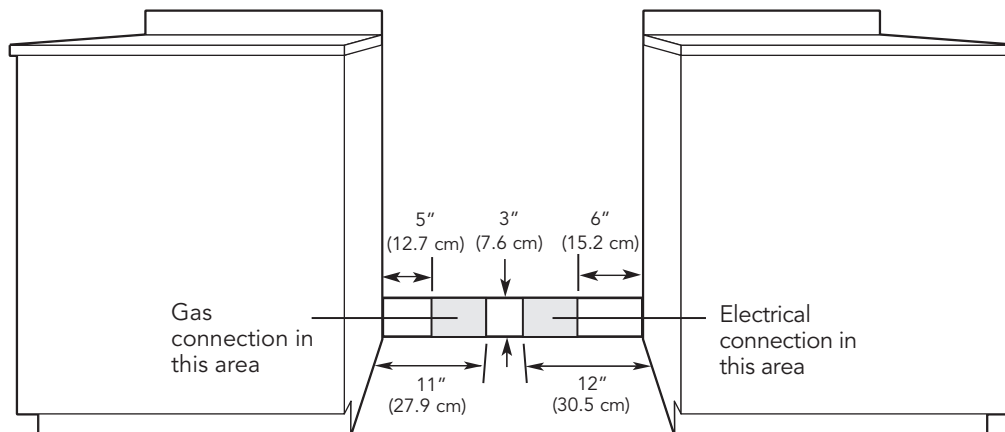
ACCESS REQUIREMENTS



VGRC605-6GD
Six-Burner/Double Griddle Range



VGRC605-6GDQ
Six-Burner/Griddle/Grill Range



Note: Ground plug and electrical wire toward the direction of the electrical outlet.

VGRC605-6GD

VGRC605-6GDQ

Surface burner rating

Six grated burners (each)

15,000 BTU Nat. (4.4 kW)/
13,500 BTU LP (4.0 kW)

15,000 BTU Nat. (4.4 kW)/
13,500 BTU LP (4.0 kW)

Two griddles (each)

15,000 BTU Nat. (4.4 kW)/
13,500 BTU LP (4.0 kW)

One griddle

15,000 BTU Nat. (4.4 kW)
13,500 BTU LP (4.0 kW)

One grill

18,000 BTU Nat. (5.3 kW)
16,000 BTU LP (4.7 kW)

Broil burner rating

Right oven only –

18,000 BTU Nat. (5.3 kW)/16,000 BTU LP (4.7 kW)

Bake rating

Right and left ovens two burners (each)

15,000 BTU Nat./LP (4.4 kW)



Professional Freestanding Gas 60"W. Commercial Depth Open Burner Range

★ Installation Notes & Accessories

A backguard, high-shelf, or island trim must be used for all installations.

6"H. Backguard

- Stainless Steel (SS)
- Coordinates with all finishes

Model	Description	Approx. ship wt. lbs. (kg)
R60BG6	60"W. backguard	36 (16.2)

10"H. Backguard

- Stainless Steel (SS)
- Coordinates with all finishes

Model	Description	Approx. ship wt. lbs. (kg)
R60BG10	60"W. backguard	39 (17.6)

High-shelf

- Stainless Steel (SS)
- Coordinates with all finishes
- Shelf comes attached to a 24"H. backguard

Model	Description	Approx. ship wt. lbs. (kg)
R60HS24	60"W. high-shelf	75 (33.8)

Island Trim

- Stainless Steel (SS)
- Coordinates with all finishes
- For island/peninsula installation

Model	Description	Approx. ship wt. lbs. (kg)
R60TII	60"W. island trim	21 (9.5)

Countertop Side Trim

- Stainless Steel (SS)
- Coordinates with all finishes
- One pair of trim
- Installs on side of unit; overlaps countertop

Model	Description	Approx. ship wt. lbs. (kg)
R27CST	27"D. side trim	2 (0.9)

Curb Base Front

- Stainless Steel (SS)
- Coordinates with all finishes
- Front only
- Conceals range legs
- Completely assembled
- Easily clips onto range legs after range is installed

Custom Curb Base Front

- Remove stainless steel front and recycle
- Attach locally supplied trim
- Conceals range legs
- Completely assembled
- Easily clips onto range legs after range is installed

Model	Description	Approx. ship wt. lbs. (kg)
R60CBF	60"W. curb base front	13 (5.9)





✪ Installation Notes & Accessories

Caster Kit

- For VGRC ranges with 6" to 8"H. legs only
- Agency certified for residential installation
- Includes four locking casters and one gas line quick connect/disconnect kit (flexible hose, restraining cable, fittings, and hardware)

Model	Description	Approx. ship wt. lbs. (kg)
CKR	Caster kit	21 (9.5)

LP/Propane Conversion Kit

- Allows for field conversion of range from natural gas to LP

Model	Description	Approx. ship wt. lbs. (kg)
LPKRR	Natural to LP/propane conversion kit	2 (0.9)

Compliance Information



WARRANTY INFORMATION*

- One-year full warranty—complete product
- Ten-year limited warranty—porcelain oven and porcelain inner door panel
- Five-year limited warranty—surface burners, griddle burners, grill burners, and oven burner
- Ninety-day limited warranty—cosmetic parts such as glass, painted, and decorative items

* For complete warranty see *Use & Care Guide*. Warranty valid on Viking products shipped within the United States and Canada.



Free Manuals Download Website

<http://myh66.com>

<http://usermanuals.us>

<http://www.somanuals.com>

<http://www.4manuals.cc>

<http://www.manual-lib.com>

<http://www.404manual.com>

<http://www.luxmanual.com>

<http://aubethermostatmanual.com>

Golf course search by state

<http://golfingnear.com>

Email search by domain

<http://emailbydomain.com>

Auto manuals search

<http://auto.somanuals.com>

TV manuals search

<http://tv.somanuals.com>