



COOKING

Professional Custom Series Freestanding Electric Induction Self-Clean 30"W. Range



Standard Features & Accessories

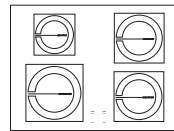
All models include

- MagneQuick™ induction power generators utilize magnetic energy for superior power, responsiveness and efficiency
- Strong, wear-resistant glass ceramic top offers excellent cleanability
- Metal knobs with childproof, push-to-turn safety features
- Power management system speeds boil time for your favorite dishes, as well as providing a quick simmer for sauces
- Four elements
 - Left front—8" 3,700 watt boost/2,300 watts
 - Left rear—6" 1,400 watts
 - Right front—7" 1,850 watts
 - Right rear—7" 1,850 watts
- **Exclusive** – largest self-clean oven cavity in the industry

- Overall capacity—4.7 cu. ft. (25-5/16"W. x 16-1/2"H. x 19-1/2"D.)
- AHAM Standard oven capacity—4.1 cu. ft. (25-5/16"W. x 16-1/2"H. x 16-13/16"D.)
- **Exclusive** patent-pending Vari-Speed Dual Flow™ convection system has the largest convection fan in the industry; the 8 1/2" fan works bi-directionally for maximum airflow and excellent cooking results
- Concealed 10-pass dual bake element provides precise temperature control
- Extra large Gourmet Glo™ glass enclosed infrared broiler provides superior broiling performance
- Rapid Ready™ Preheat provides one of the fastest preheat times – so your

- oven is ready to begin cooking when you are
- Oven has six porcelain coated rack supports and comes standard with one TruGlide™ full extension oven rack and two standard oven racks
- Three strategically located oven lights provide maximum visibility
- Heavy-duty broiler pan and tray with rack provide more roasting and broiling options
- High performance cooking modes include Bake, Convection Bake, TruConvec™ convection cooking, Convection Roast, Hi, Medium, and Low Broil, and Convection Broil
- Concealed 10-pass dual bake element makes for easy clean up of the oven cavity

Model Options



VISC530-4B
30"W. Four-Burner Range

- FINISH DETAILS FOR ALL MODELS**
- Stainless Steel (SS), Black (BK), White (WH), Metallic Silver (MS), Graphite Gray (GG), Stone Gray (SG), Taupe (TP), Biscuit (BT), Cotton White (CW), Oyster Gray (OG), Golden Mist (GM), Lemonade (LE), Sage (SA), Mint Julep (MJ), Sea Glass (SE), Iridescent Blue (IB), Viking Blue (VB), Pumpkin (PM), Racing Red (RR), Apple Red (AR), Burgundy (BU), Plum (PL), Chocolate (CH), and Cobalt Blue (CB).
 - Finish designates door front, lower front panel, and side panels.

- All finishes, except white, have stainless steel knobs and black switches.
- All finishes, except white, have dark red glass ceramic top with gray graphics, stainless steel handle/chrome plated brackets and stainless steel control panel bottom trim and landing ledge.
- White (WH)
 - Includes white glass ceramic top with gray graphics

- Finish designates door front, lower front panel, side panels and knobs/switches.
- Brass Trim Option (BR) — includes nameplate, window trim, door handle, drip tray pull, knob bezels, thermal-convection switch bezel and grate support side trim.
 - Super durable, long lasting brass finish on all "high traffic" parts (handle and drip tray pull); all other parts have a durable protective coating. All parts designed for maintenance-free normal use.

*Shown throughout with standard island trim. See **Installation Notes & Accessories** for details.

ORDERING INSTRUCTIONS

First specify model number, and then color code (VISC530-4BSS). If ordering optional brass trim, specify code at end (VISC530-4BSSBR).





COOKING

Professional Custom Series Freestanding Electric Induction Self-Clean 30"W. Range



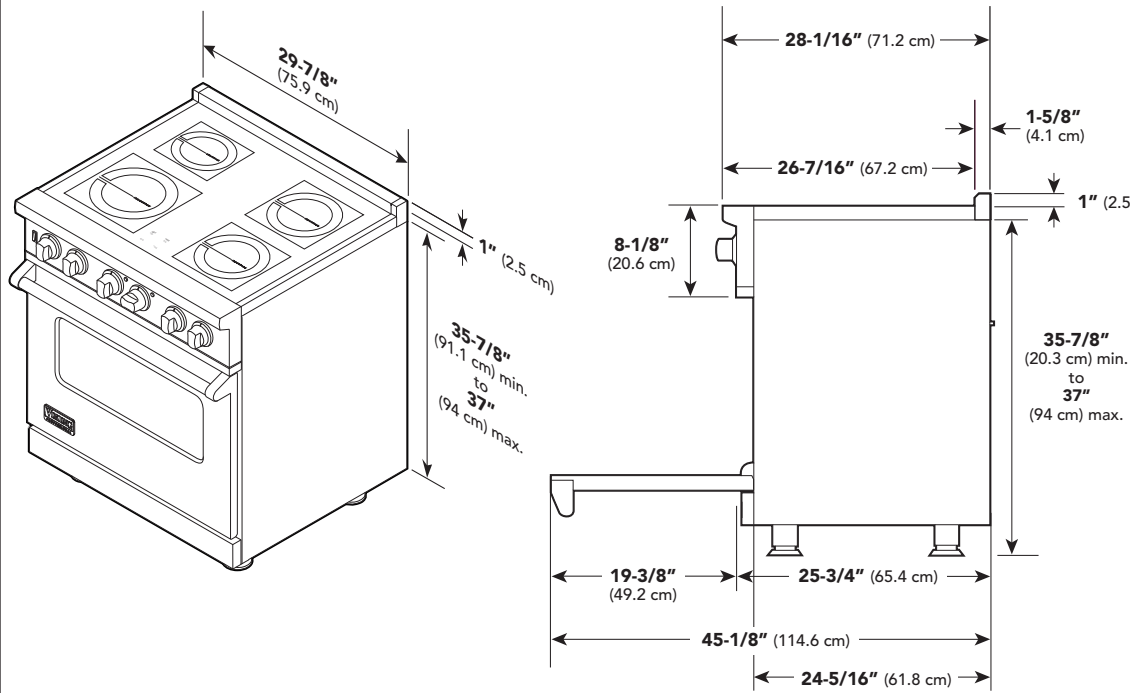
★ Please see Installation Notes & Accessories for important installation information including backguard, high-shelf, island trim, and curb base front.

Dimensions & Specifications

PRODUCT DIMENSIONS & DOOR SWING



VISC530-4B
30"W. Four-Burner Range



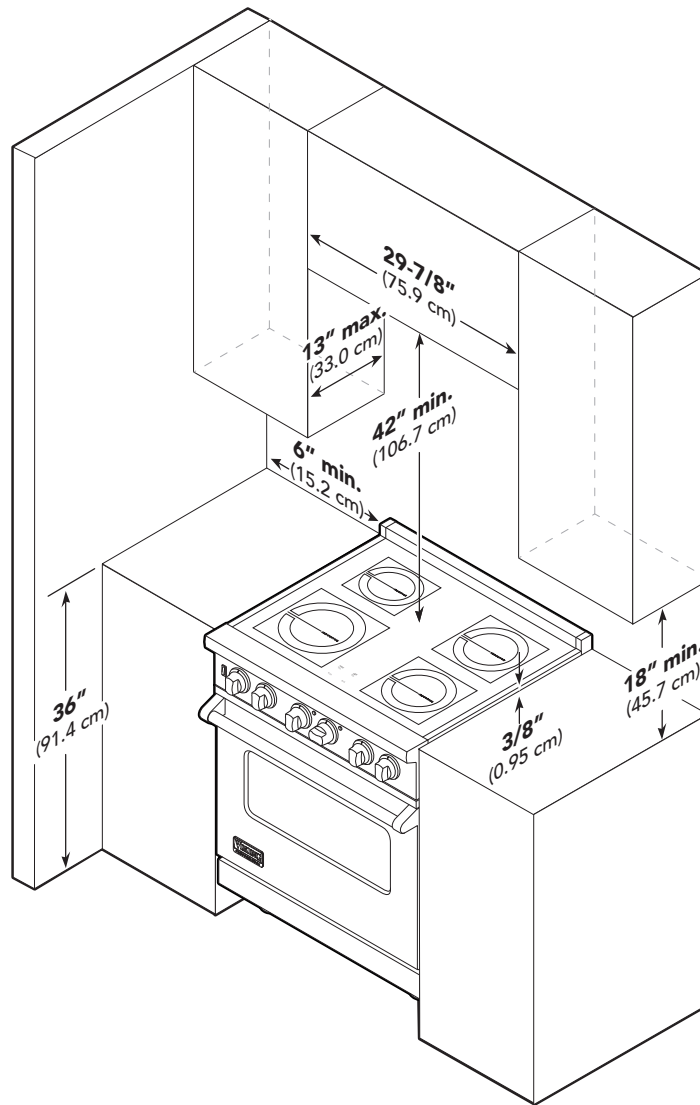
VISC530-4B	
Overall width	29-7/8" (75.9 cm)
Overall height	
Base height	
To top of glass frame	35-7/8" (91.1 cm) min. to 37" (94.0 cm) max.
Legs adjust (with "spindles" fully extended)	1-1/8" (2.9 cm)
Additions to base height	
To top of island trim	Add 1" (2.5 cm)
To top of 8" backguard	Add 8" (20.3 cm)
To top of high shelf	Add 23-1/2" (59.7 cm)
Overall depth (from rear)	
To end of side panel	24-5/16" (61.8 cm)
To front of door	25-3/4" (65.4 cm)
To end of landing ledge	28-1/16" (71.3 cm)
To end of door handle	28-11/16" (72.9 cm)
Oven	
Interior width	25-5/16" (64.6 cm)
Interior height	16-1/2" (41.9 cm)
Interior depth	Overall 19-1/2" (49.5 cm) — AHAM 16-13/16" (42.7 cm)
Overall interior size	Overall 4.7 cu. ft. — AHAM 4.1 cu. ft.





Dimensions & Specifications

CLEARANCE DIMENSIONS



Minimum clearances from adjacent combustible construction

- Below cooking surface (36" [91.4 cm] and below)
 - o Sides—0"
 - o Top grate support - 36" (91.4 cm)
- Above cooking surface (above 36" [91.4 cm])
 - o Sides—6" (15.2 cm)
 - o Within 6" (15.2 cm) side clearance, wall cabinets no deeper than 13" (33.0 cm) must be minimum 18" (45.7 cm) above cooking surface
 - o Wall cabinets directly above product must be a minimum of 42" (106.7 cm) above cooking surface
 - o Rear—0" with 8" backguard or high shelf; 0" with island trim and non-combustible rear wall;

o 6" (15.2 cm) with island trim and combustible rear wall

1. This range may be installed directly adjacent to existing 36" (91.4 cm) high base cabinets. **Important:** The top grate support **must** be 3/8" (0.95 cm) above the adjacent base cabinet countertop. This may be accomplished by raising the unit using the adjustment spindles on the legs.
2. The range **cannot** be installed directly adjacent to sidewalls, tall cabinets, tall appliances, or other side vertical surfaces above 36" (91.4 cm) high. There must be a minimum of 6" (15.2 cm) side clearance from the range to such combustible surfaces above the 36" (91.4 cm) counter height.

3. Within the 6" (15.2 cm) side clearance to combustible vertical surfaces above 36" (91.4 cm), the maximum wall cabinet depth must be 13" (33.0 cm) and wall cabinets within this 6" (15.2 cm) side clearance must be 18" (45.7 cm) above the 36" (91.4 cm) high countertop.
4. Wall cabinets above the range must be a minimum of 36" (91.4 cm) above the range cooking surface for the full width of the range. This minimum height requirement does not apply if a rangehood is installed over the cooking surface.



COOKING

Professional Custom Series Freestanding Electric Induction Self-Clean 30"W. Range



Installation Requirements

ACCESS REQUIREMENTS

UTILITY REQUIREMENTS



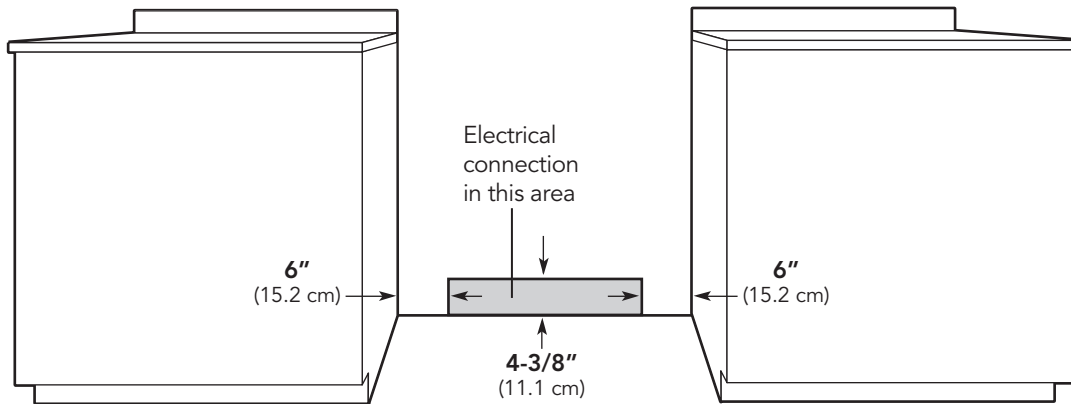
ELECTRICAL

- 240-208 VAC, 60 Hz electrical connection box on product, connect with locally supplied 3-wire, flexible cord or "pigtail" rated 60 amp 125-250 VAC minimum. Cord must be agency approved for use with household electric ranges.
- Maximum amp usage—
 - 240 - 208/120 VAC/60 Hz
 - o 4B
 - 240V—13,176 watts; 54.9 amps
 - 208V—9,882 watts; 51.7 amps



PLUMBING

Not applicable



VISC530-4B

Surface element rating

Left front element	8" 3,700 watt boost/2,300 watts
Left rear element	6" 1,400 watts
Right front element	7" 1,850 watts
Right rear element	7" 1,850 watts





COOKING

Professional Custom Series Freestanding Electric Induction Self-Clean 30"W. Range



✪ Installation Notes & Accessories

A backguard, high-shelf, or island trim must be used for all installations.

Island Trim

- Stainless Steel (SS)
- Coordinates with all finishes
- For island/peninsula installation
- Can replace backguard if wall is non-combustible
- Included (and shipped) automatically with 30"W. ranges

Model	Description	Approx. ship wt. lbs. (kg)
P30TII	30"W. island trim	10 (4.5)

High-shelf

- Stainless Steel (SS)
- Coordinates with all finishes
- Shelf comes attached to a 24"H. backguard

Model	Description	Approx. ship wt. lbs. (kg)
B30HS24	30"W. high-shelf	45 (20.3)

8"H. Backguard

- Stainless Steel (SS)
- Coordinates with all finishes

Model	Description	Approx. ship wt. lbs. (kg)
P30BG8	30"W. backguard	14 (6.3)

Countertop Side Trim

- Stainless Steel (SS)
- Coordinates with all finishes
- One pair of trim
- Installs on side of unit; overlaps countertop

Model	Description	Approx. ship wt. lbs. (kg)
P24CST	Side trim	2 (0.9)

Countertop Rear Trim

- Stainless Steel (SS)
- Coordinates with all finishes

Model	Description	Approx. ship wt. lbs. (kg)
P48CRT	48"W. countertop rear trim	2 (0.9)

Curb Base Front

- Stainless Steel (SS)
- Coordinates with all finishes
- Front only
- Conceals range legs
- Completely assembled
- Easily clips onto range legs after range is installed

Custom Curb Base Front

- Remove stainless steel front and recycle
- Attach locally supplied trim
- Conceals range legs
- Completely assembled
- Easily clips onto range legs after range is installed
- Provides drop-in range look

Model	Description	Approx. ship wt. lbs. (kg)
P30CBF4	30"W. curb base front	9 (4.1)

Compliance Information



WARRANTY INFORMATION*

- One-year full warranty—complete product
- Ten-year limited warranty—porcelain oven and porcelain inner door panel
- Five-year limited warranty—surface burners, griddle burners, grill burners, and oven burner
- Ninety-day limited warranty—cosmetic parts such as glass, painted, and decorative items

* For complete warranty see *Use & Care Guide*. Warranty valid on Viking products shipped within the United States and Canada.



Free Manuals Download Website

<http://myh66.com>

<http://usermanuals.us>

<http://www.somanuals.com>

<http://www.4manuals.cc>

<http://www.manual-lib.com>

<http://www.404manual.com>

<http://www.luxmanual.com>

<http://aubethermostatmanual.com>

Golf course search by state

<http://golfingnear.com>

Email search by domain

<http://emailbydomain.com>

Auto manuals search

<http://auto.somanuals.com>

TV manuals search

<http://tv.somanuals.com>