



Standard Features & Accessories

All models include

- Capacity—6.1 cu. ft. (172.6 L)
 - Ice bin stores up to five pounds of ice
- Temperature adjusts from 33 – 45°F in beverage section
- Temperature adjusts from 5 – 15°F in ice maker section
- One full-depth removable wire shelf and three door shelves
- Ice maker produces up to two pounds of ice per day
- Automatic cycle defrost
- Interior light—turns on when door is opened
- Install as undercounter or freestanding unit
- Must be ordered right or left hinge. (As you face unit, RIGHT has hinge on right side and handle on left side; LEFT has hinge on left side and handle on right side.)

Model Options



VURI140D
Professional

FINISH DETAILS FOR VURI MODEL

- Solid door
- Stainless Steel (SS)
- Finish code designates door front. Stainless steel handle with chrome-plated brackets and black exterior cabinet and white interior.



DURI140D
Designer

FINISH DETAILS FOR DURI MODEL

- Solid door
- Stainless Steel (SS)
- Finish code designates door front. Stainless steel handle and black exterior cabinet and white interior.



DFRI140D
Custom Front

FINISH DETAILS FOR DFRI MODEL

- Black exterior cabinet and white interior.
- Handle not included—opt for custom handle, or purchase a Viking Professional Series or Designer Series handle kit (see **Installation Notes & Accessories**)
- Accepts 3/4"-thick custom wood panel
- See **Custom Panels** section for more information and additional specifications.

ORDERING INSTRUCTIONS

First specify model number, followed by hinge preference ("R" for right or "L" for left), and then color code (VURI140D**RSS**).



★ Please see **Installation Notes & Accessories** for important information, including handle kits.

Dimensions & Specifications

PRODUCT DIMENSIONS



VURI140D
Professional

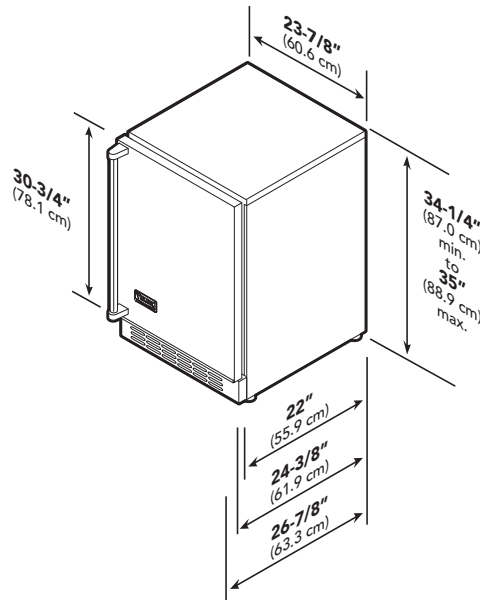


DUR1140D
Designer

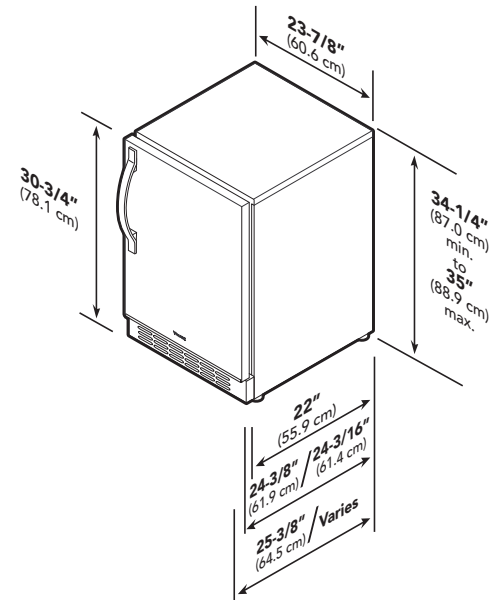


DFR1140D
Custom Front

See **Custom Panels** section for more information and additional specifications.



PROFESSIONAL



**DESIGNER/
CUSTOM FRONT**

	VURI140D	DUR1140D	DFR1140D
Overall width		23-7/8" (60.6 cm)	
Overall height		34-1/4" (87.0 cm) min. to 35" (88.9 cm) max.	
Overall depth (from rear)			
To front of handle	26-7/8" (63.3 cm)	25-3/8" (64.5 cm)	Varies
With door open		47-1/4" (120.0 cm)	
Approx. ship weight		140 lbs. (63.0 kg)	



Dimensions & Specifications

DOOR SWING



VURI140D
Professional

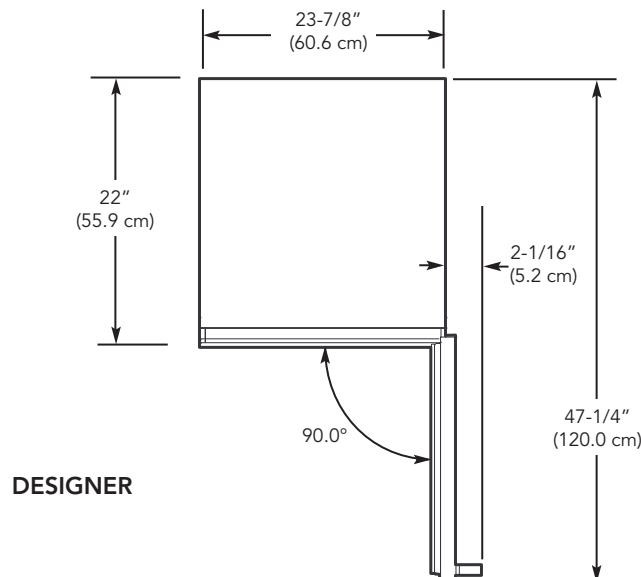
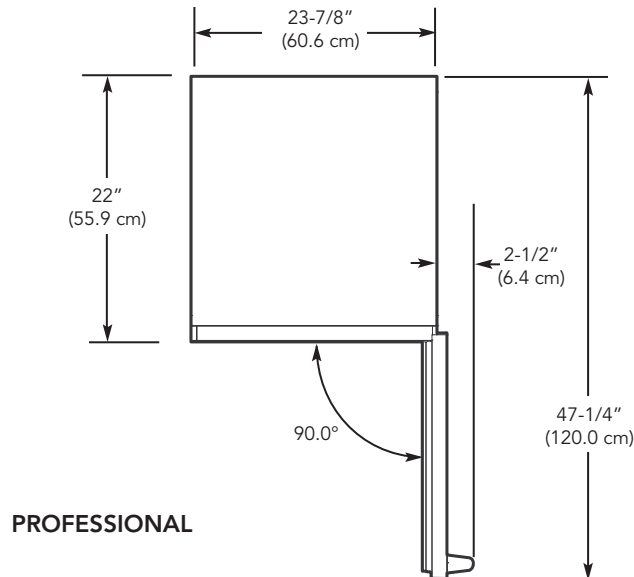


DUR140D
Designer



DFR140D
Custom Front

See **Custom Panels** section for more information and additional specifications.





UTILITY REQUIREMENTS



GAS
Not applicable



ELECTRICAL

- Three-wire cord grounded with three-prong plug attached to product
- 115 VAC/60 Hz; 15 amp dedicated circuit
- Maximum amp usage—3.3



PLUMBING

- Inlet water requirement—1/4" copper tubing

Installation Requirements

ACCESS REQUIREMENTS



VURI140D
Professional

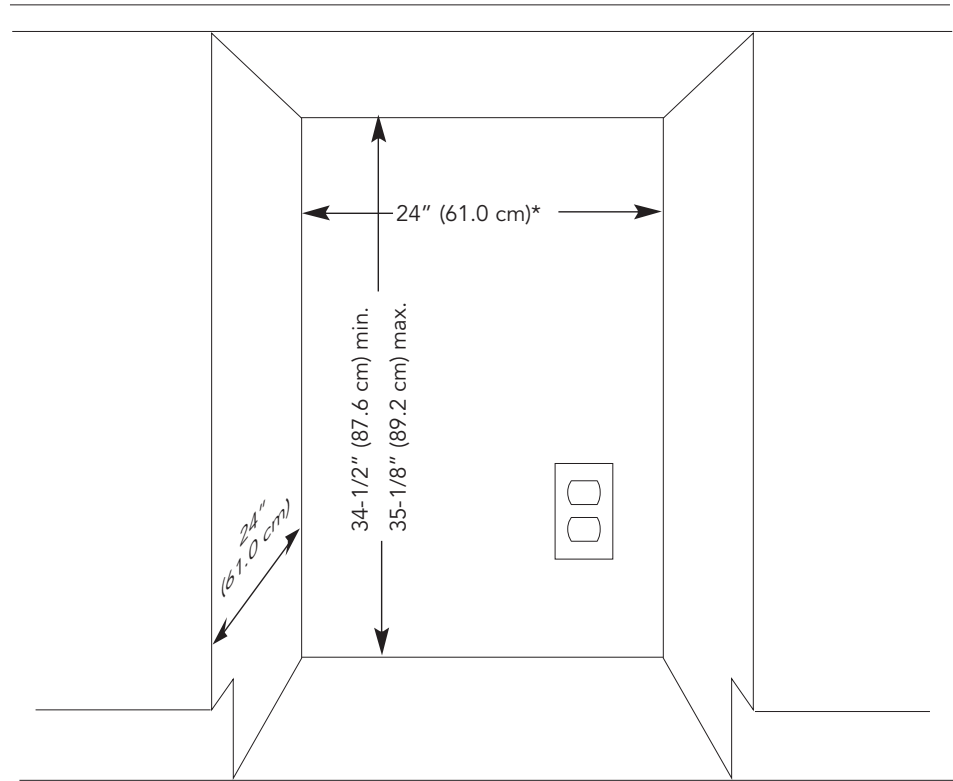


DUR1140D
Designer



DFR1140D
Custom Front

See **Custom Panels** section for more information and additional specifications.



All models	
Cutout width	24" (61.0 cm)
Cutout height	34-1/2" (87.6 cm) min. to 35-1/8" (89.2 cm) max.
Cutout depth	24" (61.0 cm)



REFRIGERATION

Undercounter/Freestanding 24"W. Beverage Center/Ice Maker



★ Installation Notes & Accessories

Handle Kits

- For use with custom front 24"W. beverage center/ice maker
- For use on locally supplied custom front panels
- Handles allow custom front products to coordinate with other Professional & Designer products
- Kit includes one handle and installation hardware

Model	Description	Approx. ship wt. lbs. (kg)
PHK30-SS	Professional handle (Stainless Steel)	6 (2.7)
PHK30-BR	Professional handle (Brass)	6 (2.7)
DHK18-SS	Designer handle (Stainless Steel)	5 (2.3)
DHK18-BR	Designer handle (Brass)	5 (2.3)

Brass Handle Kit

- For use with Professional 24"W. beverage center/ice maker

Model	Description	Approx. ship wt. lb. (kg)
PURHK30-BR	Professional brass handle kit and logo for VURI	6 (2.7)

Compliance Information



WARRANTY SUMMARY*

- Two-year full warranty—complete product
- Six-year full warranty—sealed refrigeration system (includes compressor, condenser, dryer/strainer, evaporator, and connecting tubing)
- Twelve-year limited warranty—sealed refrigeration system
- Ninety-day limited warranty—cosmetic parts (glass, painted, and decorative items)

*For complete warranty see *Use & Care Guide*. Warranty valid on Viking products shipped within the United States and Canada.



Free Manuals Download Website

<http://myh66.com>

<http://usermanuals.us>

<http://www.somanuals.com>

<http://www.4manuals.cc>

<http://www.manual-lib.com>

<http://www.404manual.com>

<http://www.luxmanual.com>

<http://aubethermostatmanual.com>

Golf course search by state

<http://golfingnear.com>

Email search by domain

<http://emailbydomain.com>

Auto manuals search

<http://auto.somanuals.com>

TV manuals search

<http://tv.somanuals.com>