



Standard Features & Accessories

All models include

- Hidden touchpad electronic controls with digital temperature readout
 - Inside temperature can be adjusted from 40 – 65°F
 - TruProtect™ system signals if door is left open or if temperature is out of set range
 - Sabbath mode disables audible tones, LED display and lights
 - Temperature can be displayed in either Fahrenheit or Celsius
- Capacity—6.1 cu. ft. (172.6 L)
- Top wire shelf has 6-1/2" split flip-up section to chill or store open wine bottles or large containers
- Two full-depth tempered glass shelves with top wire shelf hold 128 12-ounce cans and create distinct temperature zone for wine storage
- Two wine shelves cradle 12 bottles and pull out for easy access
- Low-E argon-filled glass doors
- Automatic cycle defrost
- Interior light—turns on by switch when door is opened
- Install as undercounter or freestanding unit
- Glass door models with white interior are available special order (Professional models only)
- Must be ordered right or left hinge (As you face unit, RIGHT has hinge on right side and handle on left side; LEFT has hinge on left side and handle on right side.)

Model Options



VUAR144/VUAR143
Professional

- FINISH DETAILS FOR VUAR MODELS**
- Clear and fluted glass doors
 - Stainless Steel (SS)—stainless steel frame around large window door, stainless steel handle with chrome-plated brackets, and black exterior cabinet.
 - Black (144) or white (143) interior
 - Solid door
 - Stainless Steel (SS)
 - White (143) interior*
 - Finish codes designate door front. Stainless steel handle with chrome-plated brackets and black exterior cabinet.



DUAR144/DUAR143
Designer

- FINISH DETAILS FOR DUAR MODELS**
- Clear and fluted glass doors
 - Stainless Steel (SS)—stainless steel frame around large window door, stainless steel handle with chrome-plated brackets, and black exterior cabinet.
 - Black (144) interior
 - Solid door
 - Stainless Steel (SS)
 - White (143) interior*
 - Finish codes designate door front. Cast stainless steel handle and black exterior cabinet.



DFUR144
Custom Front

- FINISH DETAILS FOR DFUR MODELS**
- Clear and fluted glass doors.
 - Black (144) interior
 - Handle not included—opt for custom handle, or purchase a Viking Professional Series or Designer Series handle kit (see **Installation Notes & Accessories**).
 - Accepts 3/4"-thick custom wood frame.
 - See **Custom Panels** section for more information and additional specifications.

* Black interior not available on solid door models

ORDERING INSTRUCTIONS

First specify model number, then specify door style ("F" for fluted, "C" for clear or "D" for solid) immediately after model number (VUAR144F). Next, specify hinge preference ("R" for right or "L" for left), and then color code (VUAR144FRSS). If ordering optional brass trim, specify code at end (VUAR144FRSSBR).



★ Please see
Installation Notes &
Accessories
for important
information,
including handle
kits.

Dimensions & Specifications

PRODUCT DIMENSIONS



VUAR144/VUAR143
Professional

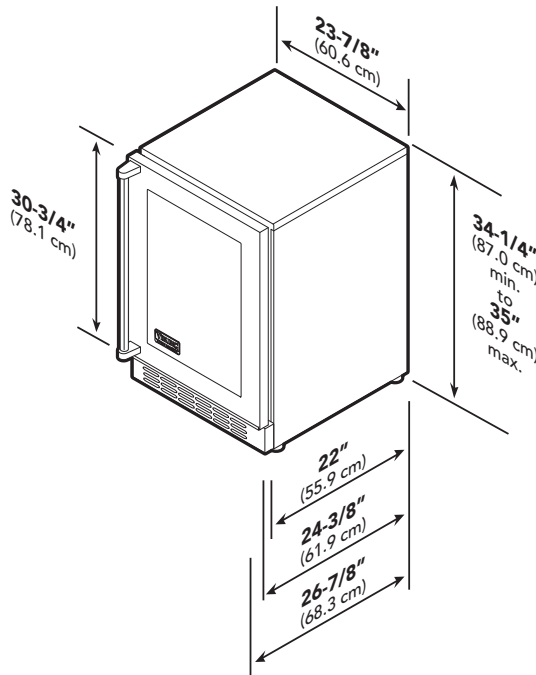


DUAR144/DUAR143
Designer

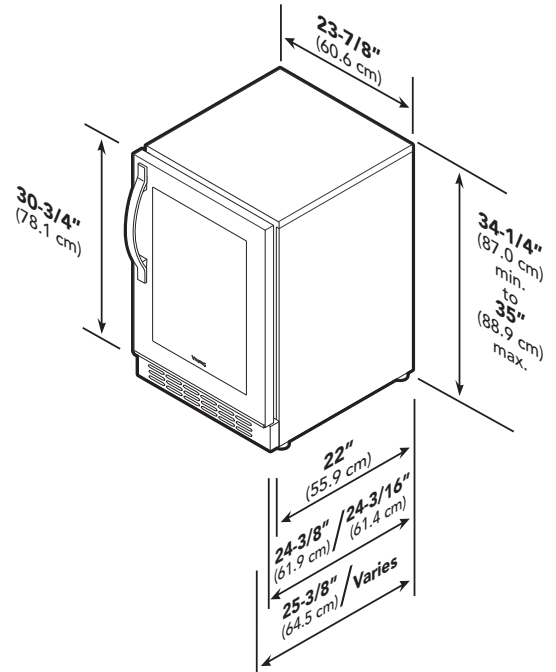


DFUR144
Custom Front

See **Custom Panels** section for
more information and additional
specifications.



PROFESSIONAL



**DESIGNER/
CUSTOM FRONT**

	VUAR144/VUAR143	DUAR144/DUAR143	DFUR144
Overall width		23-7/8" (60.6 cm)	
Overall height		34-1/4" (87.0 cm) min. to 35" (88.9 cm) max.	
Overall depth (from rear)			
To front of handle	26-7/8" (68.3 cm)	25-3/8" (64.5 cm)	Varies
With door open		47-1/4" (120.0 cm)	
Approx. ship weight		140 lbs. (63.0 kg)	



REFRIGERATION

Undercounter/Freestanding 24"W. Beverage Center



Dimensions & Specifications

DOOR SWING

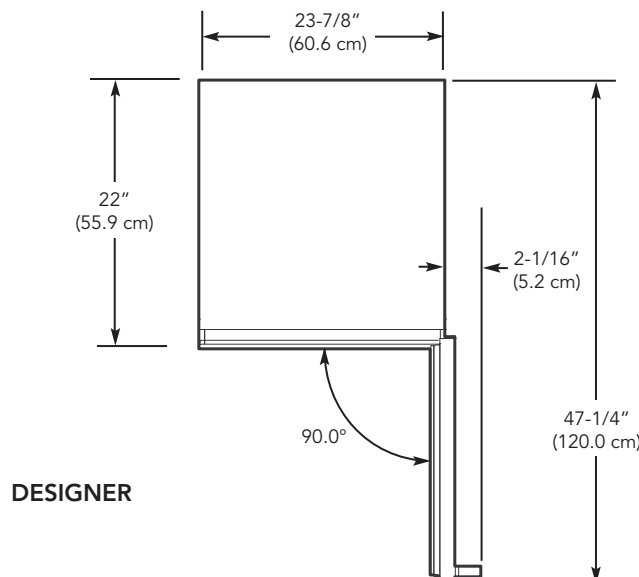
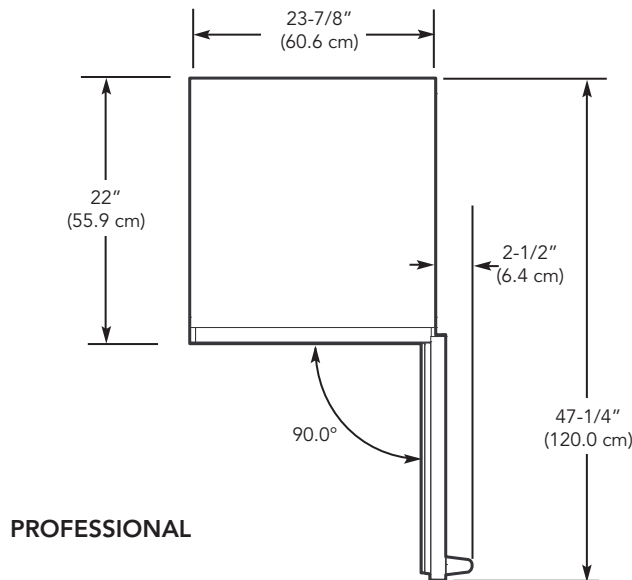


VUAR144/VUAR143
Professional

DUAR144/DUAR143
Designer

DFUR144
Custom Front

See **Custom Panels** section for more information and additional specifications.





UTILITY REQUIREMENTS



GAS
Not applicable



- ELECTRICAL**
- Three-wire cord with grounded three-prong plug attached to product
 - 115 VAC/60 Hz; 15 amp dedicated circuit
 - Maximum amp usage—3.3



PLUMBING
Not applicable

Installation Requirements

ACCESS REQUIREMENTS



VUAR144/VUAR143
Professional

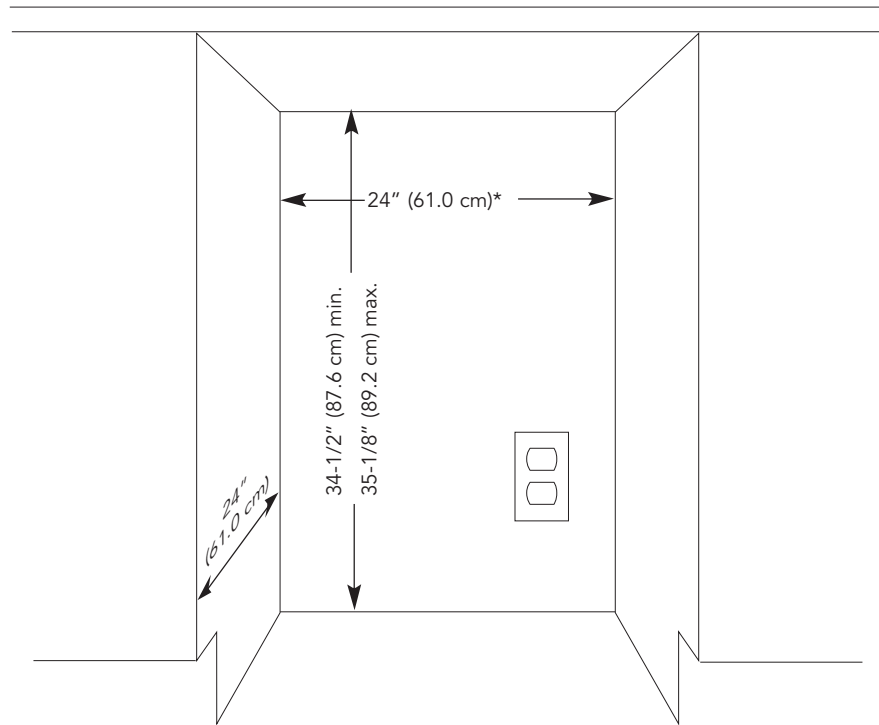


DUAR144/DUAR143
Designer



DFUR144
Custom Front

See **Custom Panels** section for more information and additional specifications.



*24" (61.0 cm) width for cabinet only; If door is recessed between cabinets, cutout must be 24-1/4" (61.6 cm).

All models	
Cutout width	24" (61.0 cm)*
Cutout height	34-1/2" (87.6 cm) min. to 35-1/8" (89.2 cm) max.
Cutout depth	24" (61.0 cm)



REFRIGERATION

Undercounter/Freestanding 24"W. Beverage Center



★ Installation Notes & Accessories

Handle Kits

- For use with custom front 24"W. beverage center
- For use on locally supplied custom front panels
- Handles allow custom front products to coordinate with other Professional & Designer products
- Kit includes one handle and installation hardware

Model	Description	Approx. ship wt. lbs. (kg)
PHK30-SS	Professional handle (Stainless Steel)	6 (2.7)
PHK30-BR	Professional handle (Brass)	6 (2.7)
DHK18-SS	Designer handle (Stainless Steel)	5 (2.3)
DHK18-BR	Designer handle (Brass)	5 (2.3)

Brass Handle Kit

- For use with Professional 24"W. beverage center

Model	Description	Approx. ship wt. lb. (kg)
PURHK30-BR	Professional brass handle kit and logo for VUAR	6 (2.7)

Compliance Information



WARRANTY SUMMARY*

- Two-year full warranty—complete unit
- Six-year full warranty—sealed refrigeration system (includes compressor, condenser, dryer/strainer, evaporator, and connecting tubing)
- Twelve-year limited warranty—sealed refrigeration system
- Ninety-day limited warranty—cosmetic parts such as glass, painted items, and decorative items

*For complete warranty see *Use & Care Guide*. Warranty valid on Viking products shipped within the United States and Canada.



Free Manuals Download Website

<http://myh66.com>

<http://usermanuals.us>

<http://www.somanuals.com>

<http://www.4manuals.cc>

<http://www.manual-lib.com>

<http://www.404manual.com>

<http://www.luxmanual.com>

<http://aubethermostatmanual.com>

Golf course search by state

<http://golfingnear.com>

Email search by domain

<http://emailbydomain.com>

Auto manuals search

<http://auto.somanuals.com>

TV manuals search

<http://tv.somanuals.com>