



VIKING  
DESIGNER

## OUTDOOR—REFRIGERATION

### Undercounter/Freestanding 24"W. Refrigerated Drawer



## Standard Features & Accessories

### All models include

- Agency-certified for outdoor use
  - A stainless steel exterior cabinet surrounds the unit and forms a water-resistant seal
  - Insulated electrical terminals, sealed electrical contacts, and a water-resistant thermostat provide optimal performance in all weather elements
- Normal operating range between 110°F (43.4°C) and 40°F (4.4°C) (Viking recommends that units be shut off in temperatures outside these limits)
- Capacity—5.8 cu. ft. (164.1 L)
- Temperature adjusts from 32 – 45°F
- Full-extension drawer glides
- Vertical storage of wine bottles or two-liter drink bottles in bottom drawer
- Hidden touchpad control with LED digital temperature readout
- Automatic cycle defrost
- Interior LED lighting
- Install as undercounter or freestanding unit

## Model Options



**VURD144T**  
**Professional**

### FINISH DETAILS FOR VURD MODEL

- Solid door—Stainless Steel (SS)





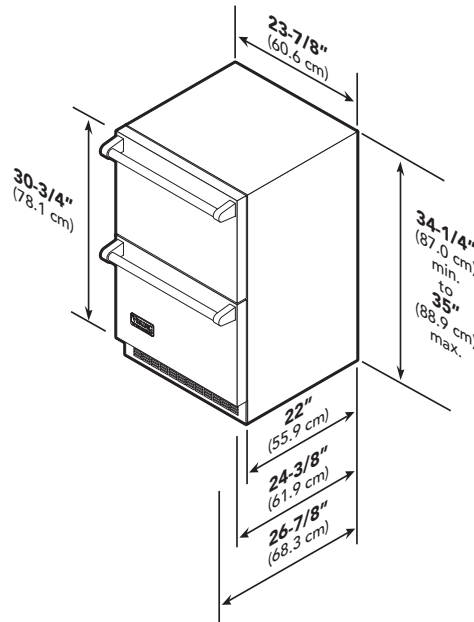
★ Please see  
Installation Notes &  
Accessories  
for important  
information,  
including pan sets  
and dividers.

**Dimensions & Specifications**

**PRODUCT DIMENSIONS**



**VURD144T  
Professional**



**PROFESSIONAL**

<b>VURD144T</b>	
Overall width	23-7/8" (60.6 cm)
Overall height	34-1/4" (87.0 cm) min. to 35" (88.9 cm) max.
Overall depth (from rear)	
To front edge of lower vent	22" (55.9 cm)
To front edge of door	24-3/8" (61.9 cm)
To front edge of handle	26-7/8" (68.3 cm)
With drawer fully extended	47-1/4" (120.0 cm)
Approx. ship wt.	180 lbs. (81.8 kg)



VIKING  
DESIGNER

# OUTDOOR—REFRIGERATION

Undercounter/Free-standing  
24"W. Refrigerated Drawer

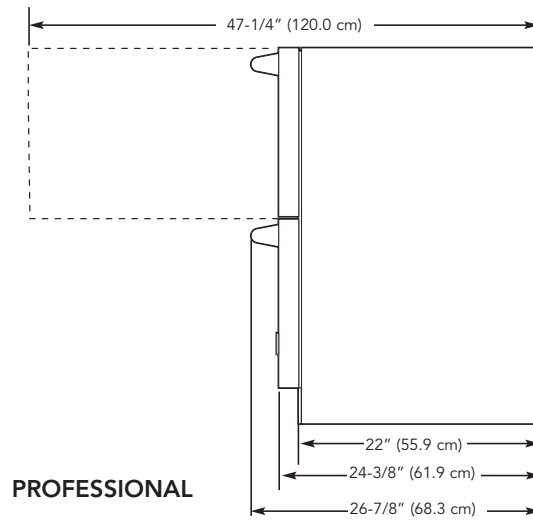


## Dimensions & Specifications

### DRAWER EXTENSION



VURD144T  
Professional





**UTILITY  
REQUIREMENTS**



**GAS**  
Not applicable



- ELECTRICAL**
- Three-wire cord with grounded three-prong plug attached to product
  - 115 VAC/60 Hz; 15 amp dedicated circuit
  - Maximum amp usage—3.3



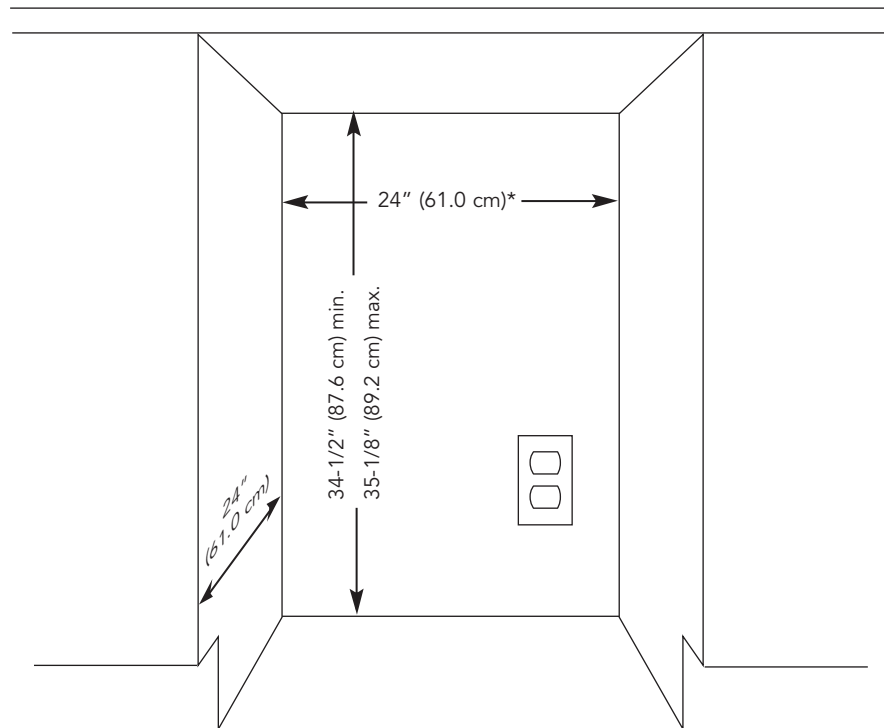
**PLUMBING**  
Not applicable

**Installation Requirements**

**ACCESS REQUIREMENTS**



**VURD144T  
Professional**



\*Optional: Cutout for electrical outlet can be placed in adjacent cabinetry.

<b>VURD144T</b>	
Cutout width	<b>24" (61.0 cm)*</b>
Cutout height	<b>34-1/2" (87.6 cm) min. to 35-1/8" (89.2 cm) max.</b>
Cutout depth	<b>24" (61.0 cm)</b>



# OUTDOOR—REFRIGERATION

## Undercounter/Freestanding 24"W. Refrigerated Drawer



### ★ Installation Notes & Accessories

#### Pan Set

- Stainless Steel (SS)
- Four commercial restaurant-style pans with clear lids
  - Two 6"D. x 6-15/16"L. x 6-3/8"W.—2.3 qt. (2.2 lit.) capacity
  - One 6"D. x 12-13/16"L. x 6-15/16"W.—5.8 qt. (5.5 lit.) capacity
  - One 8"D. x 12-13/16"L. x 10-7/16"W.—11.6 qt. (11.0 lit.) capacity
- Stainless Steel (SS) pan support rail

Model	Description	Approx. ship wt. lbs. (kg)
RDPS	Pan set	12 (5.4)

#### Dividers

- Adjustable dividers allow customized placement of items within drawer

Model	Description	Approx. ship wt. lbs. (kg)
RDUD	Upper dividers	4 (1.8)
RDL D	Lower dividers	4 (1.8)

#### Brass Handle Kits

- For use with 24"W. refrigerated drawer

Model	Description	Approx. ship wt. lb. (kg)
PURHK30-BR	Professional brass handle kit and logo for VURD	6 (2.7)

#### Compliance Information



#### WARRANTY SUMMARY\*

- Two-year full warranty—complete unit
- Six-year full warranty—sealed refrigeration system
- Twelve-year limited warranty—sealed refrigeration system
- Ninety-day limited—cosmetic parts such as glass, painted, and decorative items

\*For complete warranty, see *Use & Care Guide*. Warranty valid on Viking products shipped within the United States and Canada.



## Free Manuals Download Website

<http://myh66.com>

<http://usermanuals.us>

<http://www.somanuals.com>

<http://www.4manuals.cc>

<http://www.manual-lib.com>

<http://www.404manual.com>

<http://www.luxmanual.com>

<http://aubethermostatmanual.com>

Golf course search by state

<http://golfingnear.com>

Email search by domain

<http://emailbydomain.com>

Auto manuals search

<http://auto.somanuals.com>

TV manuals search

<http://tv.somanuals.com>