

Viking Installation Guide



Viking Range Corporation

111 Front Street

Greenwood, Mississippi 38930 USA

(662) 455-1200

For product information,

call 1-888-VIKING1 (845-4641)

or visit the Viking Web site at

vikingrange.com

PHK30 Professional Series Handle Kit
For Use with FRCI Refrigerators, FBCI Beverage Centers,
FWCI Wine Cellars and FGIM/FPIM Ice Machines

IMPORTANT—Please Read and Follow!

- Before beginning, please read these instructions completely and carefully.
- Use caution during assembly to minimize scratches.
- Do not remove permanently affixed labels, warnings or plates from the product. This may void the warranty.
- Please refer to the product Installation Instructions for more information on installing the door panel.
- **The installer should leave instructions with the customer who should retain for local inspector's use and future reference.**

Installation with Wooden Full Overlay Custom Door Front

Parts Included

Part	Quantity
Professional Series Handle Tube	(1)
Professional Series End Caps	(2)
1/4" x 1" Phillips Head Screws	(4)
Installation Instructions	

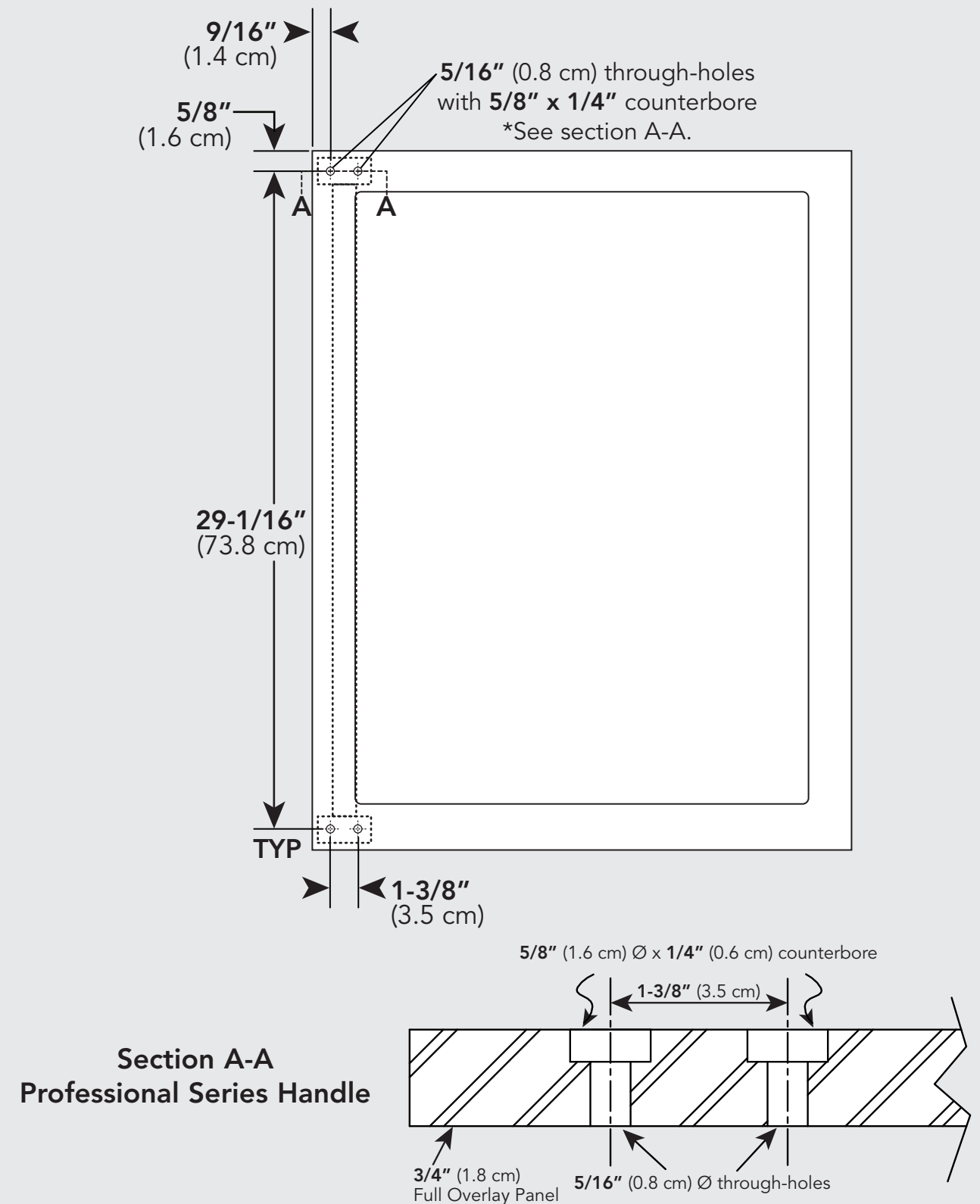
Required Tools

Electric Drill
 5/16" (.8 cm) Drill Bit
 5/8" (1.6 cm) Spade or Forstner Bit (Counterbore)
 Tape Measure
 Phillips Head Screwdriver
 Masking Tape and Pencil
 Rubber Mallet

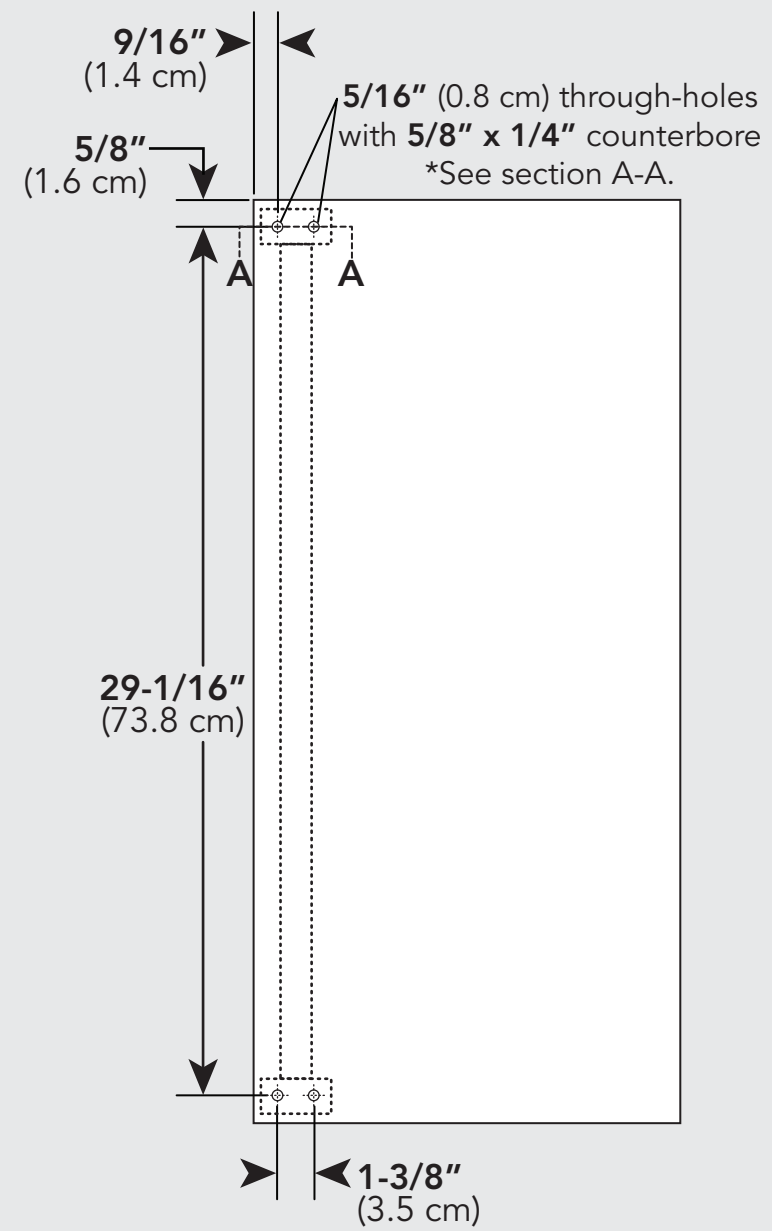
To Install:

1. Locate the wooden custom panel.
2. Using the illustrations on the next page, layout the handle location on the panels. It is recommended that masking tape be placed where the four holes will be drilled to help mark the hole placement and to prevent any damage to the door when drilling the holes.
3. The Professional handle will be mounted using (4) of the 1/4" x 1" Phillips head screws provided. Using the 5/16" (.8 cm) drill bit, drill completely through the door in the hole locations. Using the 5/8" (1.6 cm) bit, counter-bore two holes 1/4" (.6 cm) deep on the **BACKSIDE** of the custom door panel.
4. Place a handle end cap on both ends of the handle tube. Tap the endcaps firmly into place with a rubber mallet ensuring that both endcaps mounting surfaces are parallel.
5. Align the holes in the endcaps with the holes on the panel and attach the Professional handle to the panel using the (4) 1/4" (.6cm) screws provided.

Handle Installation - FRCI/FBCI/FWCI Undercounter Refrigeration



Handle Installation - FGIM/FPIM Ice Machine



Specifications subject to change without notice.

Free Manuals Download Website

<http://myh66.com>

<http://usermanuals.us>

<http://www.somanuals.com>

<http://www.4manuals.cc>

<http://www.manual-lib.com>

<http://www.404manual.com>

<http://www.luxmanual.com>

<http://aubethermostatmanual.com>

Golf course search by state

<http://golfingnear.com>

Email search by domain

<http://emailbydomain.com>

Auto manuals search

<http://auto.somanuals.com>

TV manuals search

<http://tv.somanuals.com>