



OUTDOOR—STORAGE

Electric Smoker & Gas Oven Towers



Standard Features & Accessories

All models include

- Commercial-type construction, design, and styling
 - All cabinets are constructed completely of heavy-duty stainless steel
 - Professional-style handle(s) match the look of Viking outdoor appliances
- 30"D.
- Heavy-duty, adjustable legs (same as used on ranges)
- Cabinets must be installed with locally-supplied countertop
- Optional clip-on toe kick included

VEUO3202 model includes

- Accommodates Viking outdoor smoker oven
- Doors (two) may be adjusted to mount left or right hinge
 - Fully-concealed hinges

VERO3200 model includes

- Accommodates Viking outdoor smoker oven & 24"W. beverage center or beverage center/icemaker combo (sold separately)

VGUO3202 model includes

- Accommodates Viking outdoor gas oven

- Doors (two) may be adjusted to mount left or right hinge
 - Fully-concealed hinges

VGRO3200 model includes

- Accommodates Viking outdoor gas oven & 24"W. beverage center or beverage center/icemaker combo (sold separately)

Model Options



VEUO3202*
Tower for smoker oven
(w/storage access)



VERO3200**
Tower for smoker oven
(w/24"W. refrigeration access)



VGUO3202***
Tower for gas oven
(w/storage access)



VGRO3200****
Tower for gas oven
(w/24"W. refrigeration access)

FINISH DETAILS FOR ALL MODELS

- Stainless Steel (SS)

*Shown throughout with VEOS100T (smoker oven), sold separately.

**Shown throughout with VEOS100T (smoker oven) and VUAR140T (24"W. beverage center), both sold separately.

***Shown throughout with VGSO260T (gas oven), sold separately.

****Shown throughout with VGSO260T (gas oven) and VUAR140T (24"W. beverage center), both sold separately.

For compatible cooking and refrigeration products see **Installation Notes & Accessories**.





★ Please see Installation Notes and Accessories for important information, including ovens, side panels, and filler strips.

Dimensions & Specifications

PRODUCT DIMENSIONS



VEUO320
Tower for
smoker oven
(w/storage access)



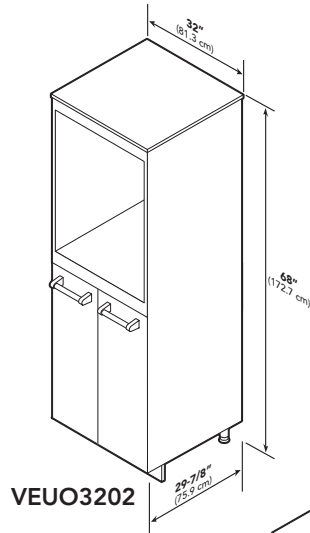
VERO3200
Tower for
smoker oven
(w/24\"W.
refrigeration access)



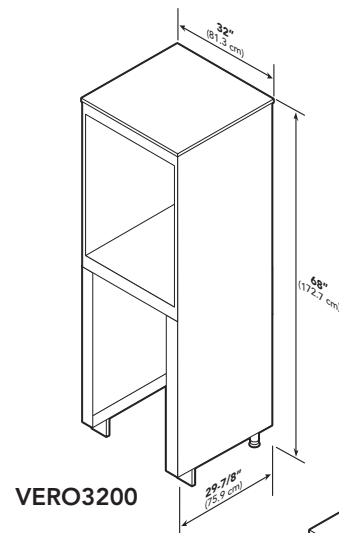
VGUO3202
Tower for
gas oven
(w/storage access)



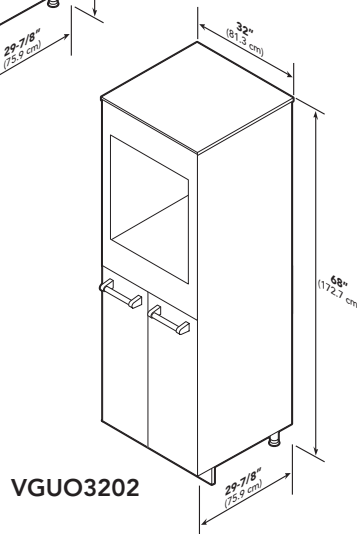
VGRO3200
Tower for
gas oven
(w/24\"W.
refrigeration access)



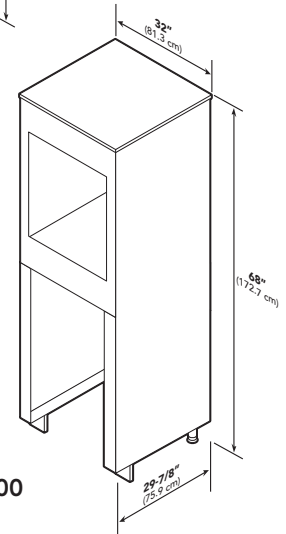
VEUO320



VERO3200



VGUO3202



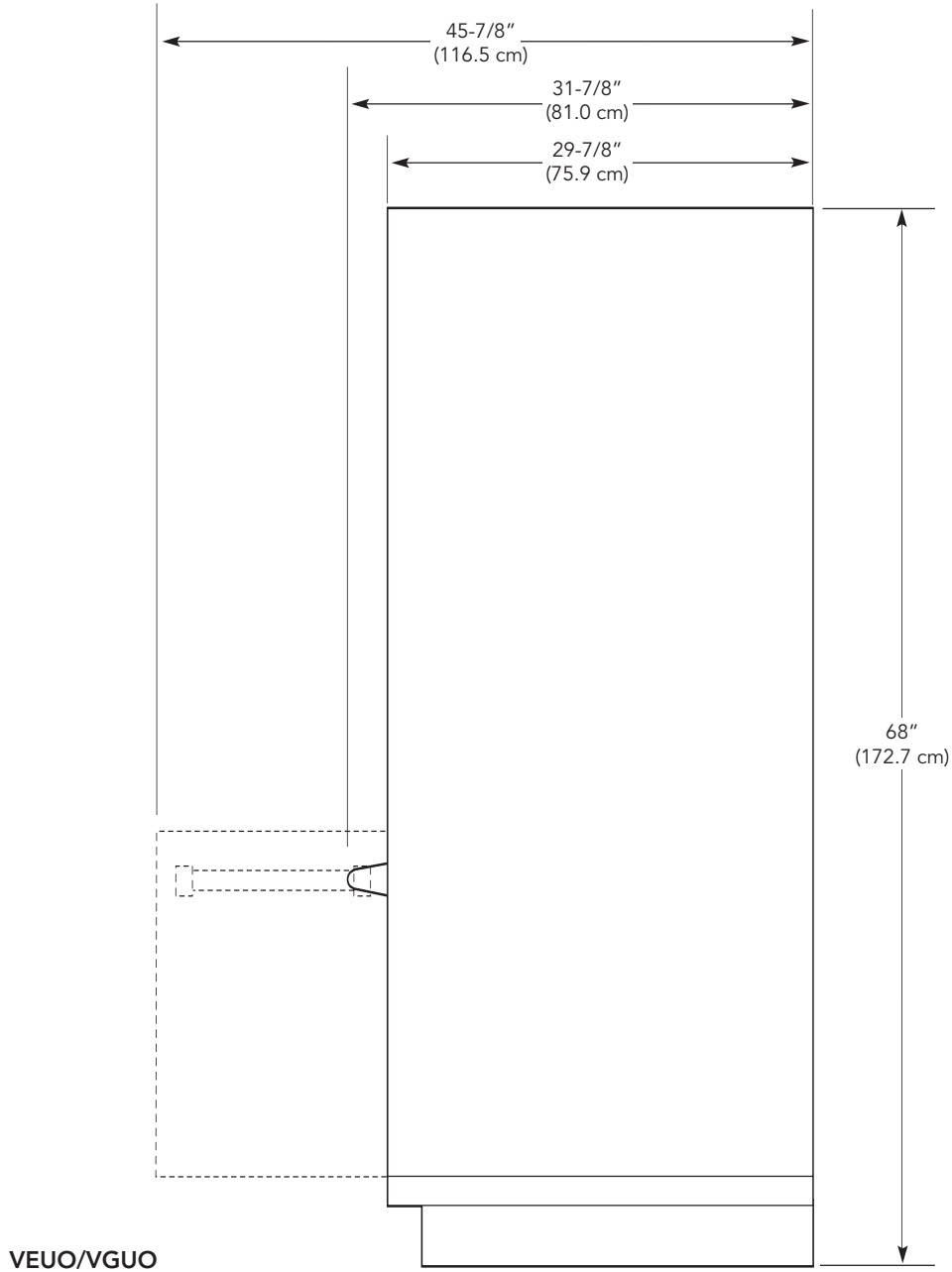
VGRO3200

	VEUO3202	VERO3200	VGUO3202	VGRO3200
Overall width	32" (81.3 cm)			
Overall height (from bottom)	68" (172.7 cm)			
Overall depth (from rear)	29-7/8" (75.9 cm)			
To end of handle brackets	31-7/8" (81.0 cm)	N/A	31-7/8" (81.0 cm)	N/A
With door open	N/A	45-7/8" (116.5 cm)	N/A	45-7/8" (116.5 cm)
Approx. ship wt. lbs. (kg)	295 (133.8)	271 (122.9)	295 (133.8)	271 (122.9)



Dimensions & Specifications

DOOR SWING





✦ Installation Notes & Accessories

Ovens

- See individual product pages for more information and additional specifications.

Model	Description	Approx. ship wt. lbs. (kg)
VEOS100T	smoker oven (compatible with VEUE03202 & VERO3200)	260 (117.0)
VGSO260T	outdoor gas oven (compatible with VGUE03202 & VGRO3200)	196 (88.2)

Beverage Centers

- See individual product pages for more information and additional specifications.

Model	Description	Approx. ship wt. lbs. (kg)
VUAR140T	24"W. beverage center (compatible with VERO/VGRO3200)	140 (63.0)
VURI140T	24"W. beverage center/icemaker (compatible with VERO/VGRO3200)	140 (63.0)

Side Panels

- Heavy-duty stainless steel
- Panels finish sides of base cabinets at the end of a run
- Fit flush into recessed sides of cabinets
- Optional clip-on toe-kick included

Model	Description	Approx. ship wt. lbs. (kg)
VTHP30	29-7/8"W. x 34"H. half side panel (for use when countertop runs into tower)	15 (6.8)
VTSP30	29-7/8"W. x 68"H. full side panel (for use at end of run)	33 (14.9)

Back Panels

- Heavy-duty stainless steel
- For use in custom island installations
- Individual panels for each cabinet
- 3/4"-thick (adds to cabinet depth)
- Optional clip-on toe-kick included

Model	Description	Approx. ship wt. lbs. (kg)
VTBP32	32"W. x 68"H. back panel (for oven towers)	34 (15.4)

Filler Strips, Pieces, & Other Corner Panel Kits

- Strips separate cabinets and create turns
 - Mount sides flush with doors, NOT cabinet face
- VOCF90 & VOCF135 shipped with two unattached side panels
- Fit flush into recessed sides of cabinets
- Optional clip-on toe-kick included

Model	Description	Approx. ship wt. lbs. (kg)
VCF90	Corner filler piece (each side is 4"W.)—for 90° bends	5 (2.3)
VCF135	Corner filler piece (each side is 4"W.)—for 135° bends	5 (2.3)
VFLR4	General filler strip (4"W.)—for separating appliance-based cabinets	5 (2.3)
VBPFLR4	4"W. back panel (for use w/VFLR4)	5 (2.3)
VOCF90	Outer corner filler panel kit (each side is 4"W.)— for connecting 2 back panels at 90° angle and adding countertop support	40 (18.1)
VOCF135	Outer corner filler panel kit (each side is 4"W.)— for connecting 2 back panels at 135° angle and adding countertop support	40 (18.1)

WARRANTY SUMMARY*

- One-year full warranty—complete product
- Lifetime limited warranty—rust through on all stainless steel components
- Two-year limited warranty—door hinges & drawer slides
- Ninety-day limited warranty—cosmetic parts (glass, painted, & decorative items)

* For complete warranty see *Use & Care Guide*. Warranty valid on Viking products shipped within the United States and Canada.



Free Manuals Download Website

<http://myh66.com>

<http://usermanuals.us>

<http://www.somanuals.com>

<http://www.4manuals.cc>

<http://www.manual-lib.com>

<http://www.404manual.com>

<http://www.luxmanual.com>

<http://aubethermostatmanual.com>

Golf course search by state

<http://golfingnear.com>

Email search by domain

<http://emailbydomain.com>

Auto manuals search

<http://auto.somanuals.com>

TV manuals search

<http://tv.somanuals.com>