



Standard Features & Accessories

All models include

- Trash drawer capacity—1.7 cu. ft.—the largest capacity trash drawer on the market
 - Allows random loading of bulky items
- Machine easily compacts and holds the weekly trash of a family of four
- Commercial-type construction—the most powerful home compactor
- Professional styling
- Built-in small litter area
 - Allows loading of small items without opening large drawer
 - May be opened during operation
- Built-in storage compartment
- Easy-glide drawer allows for smooth opening and closing
- Breakaway trash basket with pressure release handle/plate for easy removal
 - Easy to empty and clean
 - May be used with or without bags
- Activated charcoal filter and fan with control panel switch (shipped with one filter)
 - Removes odors
 - Eliminates the need for perfumed deodorizers
 - A control panel light indicates fan is operating
- 1/2 horsepower, high-torque motor with 3,000 lbs. of force (delivered at all positions and at all points of the ram head)
- 3-Point Drive System avoids jamming, which can result from uneven loading
 - In 35 seconds, this system reduces trash to 1/4 its original size
- 3-Piece Ram encloses motor and drive system, for quiet operation
- Durable, heavy-gauge steel frame and double-reinforced base withstand heavy loads
- Key-start operation with safety lock
 - Positive drawer closing—compactor will not operate while drawer is open
- Shipped with five grip/slip plastic bags with ties
 - Outside grips to hold bag in place; inside slips for easy compacting
 - Specifically designed to fit 18"W. compactor
 - A tough 3.5 mil. thick
 - Punched holes match bag retainer buttons

Model Options



VUC181
Professional

FINISH DETAILS FOR VUC MODEL

- Stainless Steel (SS), Black (BK), White (WH), Metallic Silver (MS), Graphite Gray (GG), Stone Gray (SG), Taupe (TP), Biscuit (BT), Cotton White (CW), Oyster Gray (OG), Golden Mist (GM), Lemonade (LE), Sage (SA), Mint Julep (MJ), Sea Glass (SE), Iridescent Blue (IB), Viking Blue (VB), Pumpkin (PM), Racing Red (RR), Apple Red (AR), Burgundy (BU), Plum (PL), Chocolate (CH), and Cobalt Blue (CB).
- Finish designates door and drawer panels. Stainless steel control panel (with black graphics), litter door pull, handle (with chrome-plated brackets); black control panel switches.
- Brass Trim Option (BR)—nameplate, handle/brackets, and litter door pull. Brass components have a durable protective coating for maintenance-free normal use.



DUC180
Designer

FINISH DETAILS FOR DUC MODEL

- Stainless Steel (SS), Black (BK), White (WH), Metallic Silver (MS), Graphite Gray (GG), Stone Gray (SG), Taupe (TP), Biscuit (BT), Cotton White (CW), Oyster Gray (OG), Golden Mist (GM), Lemonade (LE), Sage (SA), Mint Julep (MJ), Sea Glass (SE), Iridescent Blue (IB), Viking Blue (VB), Pumpkin (PM), Racing Red (RR), Apple Red (AR), Burgundy (BU), Plum (PL), Chocolate (CH), and Cobalt Blue (CB).
- Finish designates door and control panel. Cast stainless steel handle.
- Brass Trim Option (BR)—handle and release lever. Brass components have a durable protective coating for maintenance-free normal use.



DFC180
Custom Front

FINISH DETAILS FOR DFC MODEL

- Stainless Steel control panel.
- Handle not included—opt for a custom handle, or purchase a Viking Professional Series or Designer Series handle kit (see **Installation Notes & Accessories**)
- Accepts 3/4"-thick custom panel
- See **Custom Panels** section for more information and additional specifications.

ORDERING INSTRUCTIONS

First specify model number, followed by color code (VUC181**SS**). If ordering optional brass trim, specify code at end (VUC181**SSBR**).



★ Please see Installation Notes & Accessories for important information, including handle kits, bags/ties, and filters.

Dimensions & Specifications

PRODUCT DIMENSIONS



VUC181
Professional

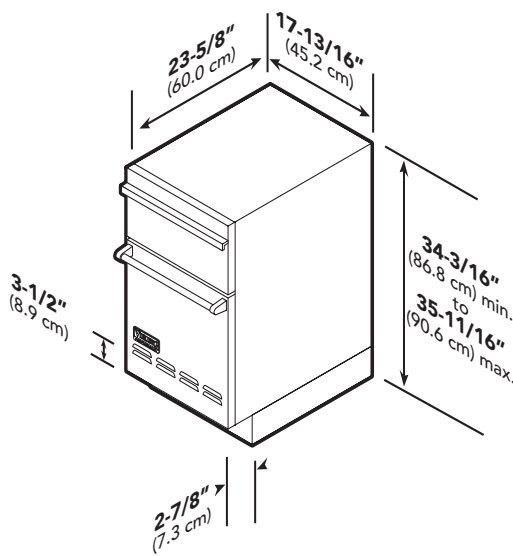


DUC180
Designer

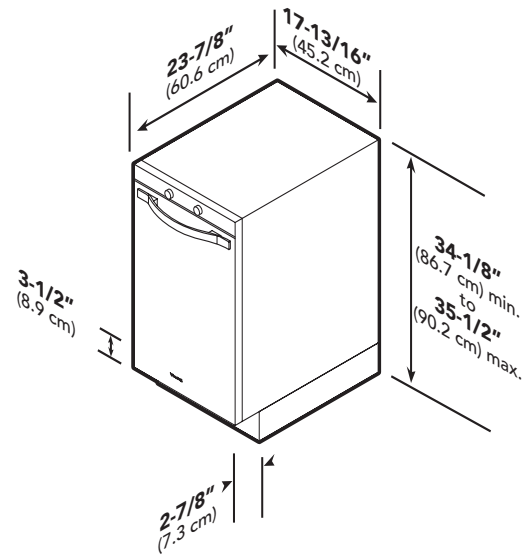


DFC180
Custom Front

See Custom Panels section for more information and additional specifications.



PROFESSIONAL



DESIGNER

	VUC181	DUC180	DFC180
Overall width		17-13/16" (45.2 cm)	
Overall height	34-3/16" (86.8 cm) min. to 35-11/16" (90.6 cm) max.	34-1/8" (86.7 cm) min. to 35-1/2" (90.2 cm) max.	34-1/8" (86.7 cm) min. to 35-1/2" (90.2 cm) max.
Overall depth			
To edge of side (includes door panel)	23-5/8" (60.0 cm)	23-7/8" (60.6 cm)	23-7/8" (60.6 cm)
With door open	48-1/8" (122.2 cm)	45-3/4" (109.8 cm)	45-3/4" (109.8 cm)



Dimensions & Specifications

DOOR SWING



VUC181
Professional

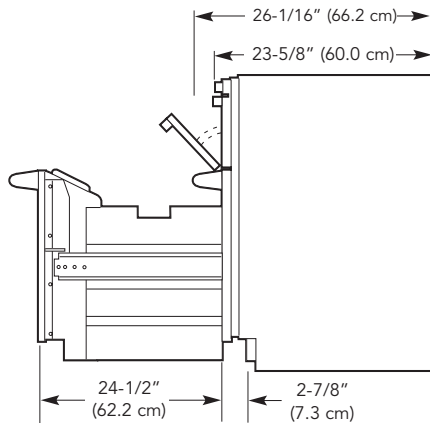


DUC180
Designer

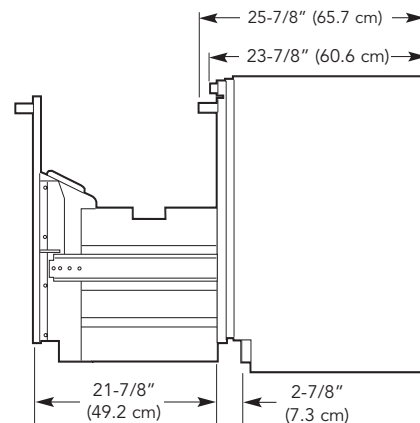


DFC180
Custom Front

See **Custom Panels** section for more information and additional specifications.

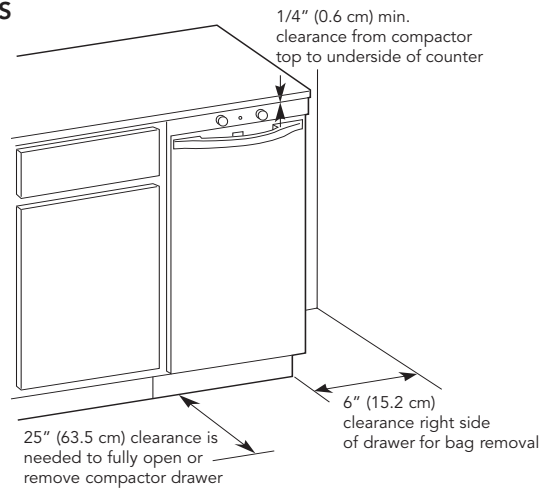


PROFESSIONAL



DESIGNER

CLEARANCE DIMENSIONS





UTILITY REQUIREMENTS



GAS
Not applicable



ELECTRICAL

- 72" (182.9 cm) three-wire cord with grounded, three-prong plug supplied with unit (bracket to end—54", 137.2 cm)
- 115 VAC/60 Hz
- Maximum amp usage—9.0



PLUMBING
Not applicable

Installation Requirements

ACCESS REQUIREMENTS



VUC181
Professional

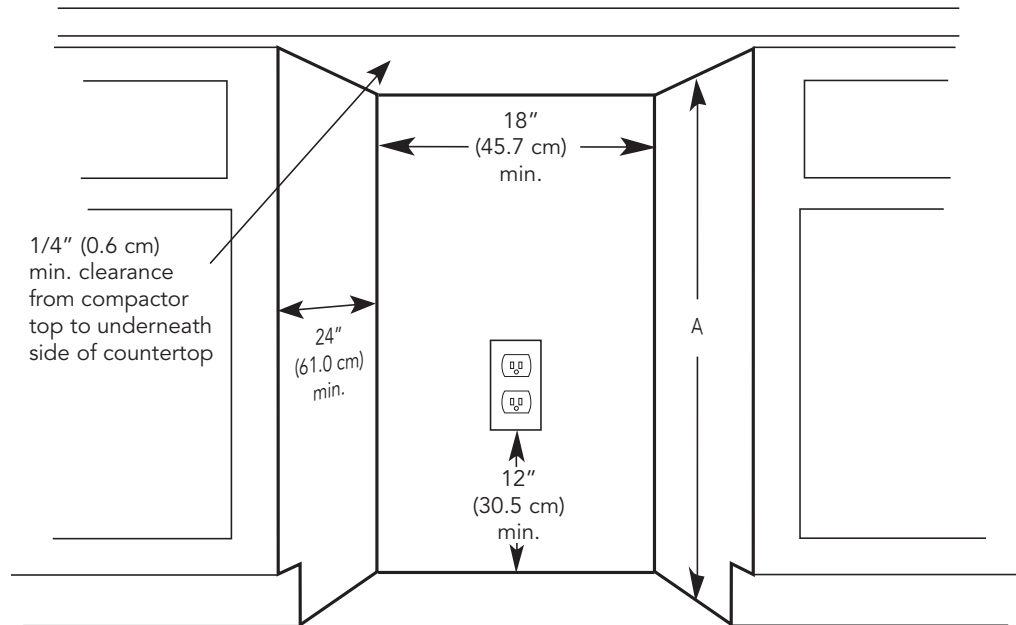


DUC180
Designer



DFC180
Custom Front

See **Custom Panels** section for more information and additional specifications.



	VUC181	DUC180	DFC180
Cutout width		18" (45.7 cm) min.	
Cutout height (A)	34-7/16" (87.5 cm) min. to 35-15/16" (91.3 cm) max.	34-3/8" (86.4 cm) min. to 35-3/4" (90.8 cm) max.	34-3/8" (86.4 cm) min. to 35-3/4" (90.8 cm) max.
Cutout depth		24" (61.0 cm) min.	



KITCHEN CLEANUP Undercounter 18"W. Trash Compactor



★ Installation Notes & Accessories

Handle Kits

- For use with full overlay compactor
- For use on locally supplied custom panels
- Handle allows compactors with full overlay panel to coordinate with other Professional and Designer products
- Kit includes one handle and installation hardware

Model	Description	Approx. ship wt. lbs. (kg)
PHK17-SS	Professional handle (Stainless Steel)	2 (0.9)
PHK17-BR	Professional handle (Brass)	2 (0.9)
DHK17-SS	Designer handle (Stainless Steel)	2 (0.9)
DHK17-BR	Designer handle (Brass)	2 (0.9)

Bags & Ties

- Specifically designed to fit 18"W. compactor
- Outside grips to hold bag in place; inside slips for easy compacting
- Punched holes match retainer buttons
- Bags are 3.5 mil. thick
- Fifteen of each per box (twelve boxes per order)

Model	Description	Approx. ship wt. lbs. (kg)
TCBC15-VUC	Compactor bags/ties	38 (17.1)

Charcoal Filter

- Activated charcoal captures and removes odors, as opposed to a perfumed approach
- To be replaced every six to nine months (one filter shipped with product)

Model	Description	Approx. ship wt. lbs. (kg)
ACF-VUC	Charcoal filter	1 (0.5)

Compliance Information



WARRANTY SUMMARY*

- One-year full warranty—complete compactor
- Twenty-five-year limited warranty—stainless steel tank/inner door liner
- Five-year limited warranty—1/2 horsepower drive system motor
- Ninety-day limited warranty—cosmetic parts (painted and decorative items)

*For complete warranty see *Use & Care Guide*. Warranty valid on Viking products shipped within the United States and Canada.



Free Manuals Download Website

<http://myh66.com>

<http://usermanuals.us>

<http://www.somanuals.com>

<http://www.4manuals.cc>

<http://www.manual-lib.com>

<http://www.404manual.com>

<http://www.luxmanual.com>

<http://aubethermostatmanual.com>

Golf course search by state

<http://golfingnear.com>

Email search by domain

<http://emailbydomain.com>

Auto manuals search

<http://auto.somanuals.com>

TV manuals search

<http://tv.somanuals.com>