



Standard Features & Accessories

All models include

- Must also purchase interior or exterior ventilator kit, sold separately (see **Installation Notes & Accessories** for recommended Viking ventilator products)
- 24"D. (tests show 24"D. hoods perform properly over 27"D. ranges)
- Heat sensor turns the ventilator on full power when cooking temperatures reach uncomfortable levels
- Variable speed controls for custom venting—separate on/off switch allows you to leave ventilator at favorite/most-used setting
- 12-hour timer built into ventilator controls
- Delay feature allows you to set the ventilator to shut off on its own from 10 – 30 minutes later
- Heavy-duty construction; elegant design, and styling
 - Virtually seamless stainless steel design with no visible screws
- Easy cleanup
 - Dishwasher-safe, stainless steel mesh filters efficiently remove grease and heated vapors from the

air, and are easily removed for quick cleaning (frame and mesh are stainless steel for durability and long life)

- See **Dimensions & Specifications** table for number of filters (and spacers) per model
- Design of low-profile filter system means less interior hood space to be cleaned
- Canopy interior is completely lined in stainless steel for increased rigidity, seamless appearance, and easy cleaning
- 50-watt halogen lights with dimmer control
 - Power switch and dimmer control are separate, allowing you to leave dimmer at favorite position
 - See **Dimensions & Specifications** table for number of lights per model

DTWS models include

- 9"H.
- Adjustable duct cover (for 8 – 9' ceilings) shipped standard (see **Dimensions & Specifications** table)
- Finish matches canopy exterior

DTWN models include

- 18"H.
- Duct covers must be ordered separately (see **Installation Notes & Accessories**)

Model numbers

SLIM TRADITIONAL WALL HOODS

- DTWS3049—30"W.
- DTWS3649—36"W.
- DTWS4249—42"W.
- DTWS4849—48"W.

TALL TRADITIONAL LEGDESS WALL HOODS

- DTWN3048—30"W.
- DTWN3648—36"W.
- DTWN4248—42"W.
- DTWN4848—48"W.

Slim Traditional Wall Hoods should not be installed over Professional cooking products with the gas Char-Grill feature. A 1,200 or 1,500 CFM (if applicable) ventilator kit should be used when installed over ranges/rangetops with gas grill.

Model Options



DTWS Slim Traditional Wall Hood*



DTWN Tall Traditional Ledgeless Wall Hood**

FINISH DETAILS FOR ALL MODELS

- Stainless Steel (SS), Black (BK), White (WH), Metallic Silver (MS), Graphite Gray (GG), Stone Gray (SG), Taupe (TP), Biscuit (BT), Cotton White (CW), Oyster Gray (OG), Golden Mist (GM), Lemonade (LE), Sage (SA), Mint Julep (MJ), Sea Glass (SE), Iridescent Blue (IB), Viking Blue (VB), Pumpkin (PM), Racing Red (RR), Apple Red (AR), Burgundy (BU), Plum (PL), Chocolate (CH), and Cobalt Blue (CB).
- Finish designates exterior of canopy
- Stainless Steel (SS) canopy interior

EXTRA FINISH DETAILS FOR DTWS MODELS ONLY

- Accessory Rail—along front of canopy (must be ordered and factory installed)
- Stainless Steel/Chrome (CR)—Stainless steel rail with chrome supports/brackets and hooks (included)
- Brass Trim Option (BR)—nameplate, rail, supports/brackets, and hooks (included). Brass components have a durable protective coating for maintenance-free normal use.

*Shown throughout with adjustable duct cover, included.

**Shown throughout with duct cover, sold separately.

See **Installation Notes & Accessories** for duct cover model numbers and ship weights.

ORDERING INSTRUCTIONS

First specify model number, followed by color code (DTWS3049**SS**). Specify decorative rail code at end (DTWS3049**SSCR**).



★ Please see Installation Notes & Accessories for important information, including ventilator kits, duct covers, backsplashes, and warming shelf panels.

Dimensions & Specifications

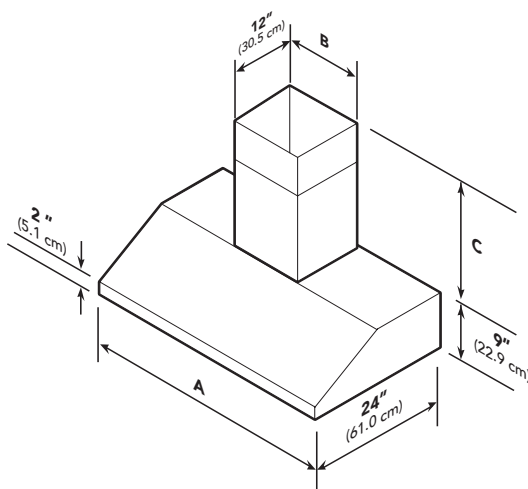
PRODUCT DIMENSIONS



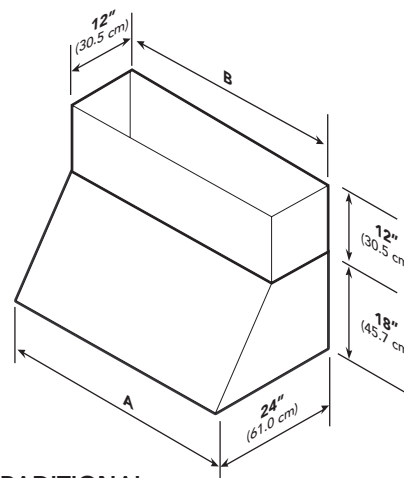
DTWS Slim Traditional Wall Hood



DTWN Tall Traditional Ledgeless Wall Hood



SLIM TRADITIONAL WALL HOOD



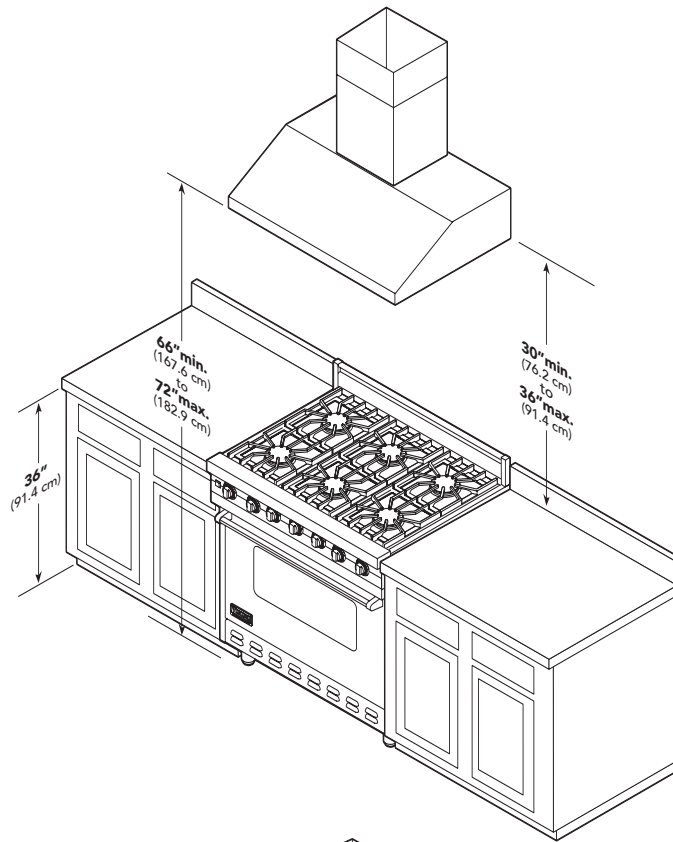
TALL TRADITIONAL LEDGELESS WALL HOOD

Model	Hood Width (A)	Hood Height	Duct Cover Width (B)	Duct Cover Depth	Duct Cover Height (C)	Lights	Filters	Heat Lamps	Approx. Ship. wt.
DTWS3049	29-7/8" (75.9 cm)	9" (22.9 cm)	12" (30.5 cm)	12" (30.5 cm)	21" (53.3cm)— 33" (83.8 cm)	2	2	N/A	50 lbs. (22.5 kg)
DTWS3649	35-7/8" (91.1 cm)	9" (22.9 cm)	12" (30.5 cm)	12" (30.5 cm)	21" (53.3cm)— 33" (83.8 cm)	2	2	N/A	60 lbs. (27.0 kg)
DTWS4249	41-7/8" (106.4 cm)	9" (22.9 cm)	12" (30.5 cm)	12" (30.5 cm)	21" (53.3cm)— 33" (83.8 cm)	2	3	N/A	70 lbs. (31.5 kg)
DTWS4849	47-7/8" (121.6 cm)	9" (22.9 cm)	20" (50.8 cm)	12" (30.5 cm)	21" (53.3cm)— 33" (83.8 cm)	3	3	N/A	81 lbs. (36.5 kg)
DTWN3048	29-7/8" (75.9 cm)	18" (45.7 cm)	29-7/8 (75.9 cm)	12" (30.5 cm)	12" (30.5 cm)	2	2	N/A	59 lbs. (26.6 kg)
DTWN3648	35-7/8" (91.1 cm)	18" (45.7 cm)	35-7/8" (91.1 cm)	12" (30.5 cm)	12" (30.5 cm)	2	2	N/A	69 lbs. (31.1 kg)
DTWN4248	41-7/8" (106.4 cm)	18" (45.7 cm)	41-7/8" (106.4 cm)	12" (30.5 cm)	12" (30.5 cm)	2	3	N/A	79 lbs. (35.6 kg)
DTWN4848	47-7/8" (121.6 cm)	18" (45.7 cm)	47-7/8" (121.6cm)	12" (30.5 cm)	12" (30.5 cm)	3	3	N/A	90 lbs. (40.5 kg)

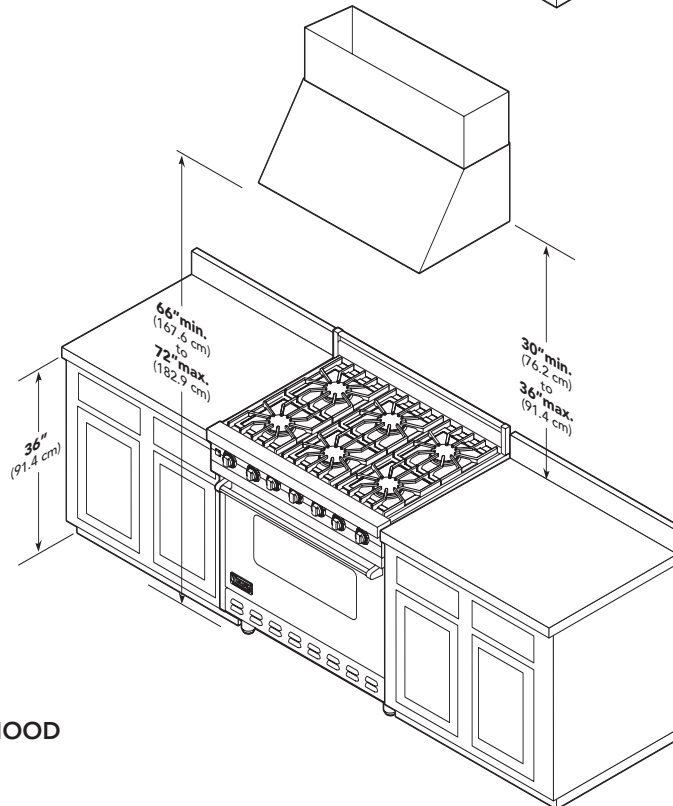


Dimensions & Specifications

CLEARANCE DIMENSIONS



**SLIM TRADITIONAL
WALL HOOD**



**TALL TRADITIONAL
LEDGELESS WALL HOOD**



Installation Requirements



DTWS Slim Traditional Wall Hood



DTWN Tall Traditional Ledgeless Wall Hood

UTILITY REQUIREMENTS

Proper installation/ducting is extremely important to ensure maximum performance. Use a qualified and trained installer.



DUCTING

- Check with a qualified and trained installer or local codes for makeup air requirements, if any.
- Max. duct run length
 - For 300 – 1,200 CFM—50' (152.4 m)
 - For 1,500 CFM—75' (22.9 m)
- For general reference only; for longer duct runs, increase duct size and contact a qualified and trained installer.



GAS

Not applicable

- Straight runs and gradual turns are best; for example, each 90° elbow is equivalent to 5' – 10' (1.52 – 3.05 m) of straight run.
- 7" (17.8 cm) round duct for 300 – 600 CFM; 10" for 900 – 1500 CFM
- Never use flexible duct; it creates back pressure/air turbulence and greatly reduces performance.



ELECTRICAL

- Hardwire direct with two-wire ground
- 120 VAC/60 Hz
- Max. amp usage (rating includes recommended ventilator kit rating)—see Dimensions & Specifications table



PLUMBING

Not applicable

Note: All CFMs are based on tests with 0.1 static pressure. Without applying static pressure (some brands do not), CFM could be greatly overstated.

Model	Ventilator Kits		Duct Size		Max. Amps	
	Interior	Exterior	Interior	Exterior	Interior	Exterior
DTWS3049	DIV300/440	DEV900	7" (17.8 cm)	10" (25.4 cm)	1.7/3.2	6.6
DTWS3649	DIV300/440	DEV900	7" (17.8 cm)	10" (25.4 cm)	1.7/3.2	6.6
DTWS4249	DIV440	DEV900	7" (17.8 cm)	10" (25.4 cm)	3.2	6.6
DTWS4849	DIV880	DEV1200/1500**	10" (25.4 cm)	10" (25.4 cm)	5.6	4.3/5.1
DTWN3048	VIV300/600/1200*	VEV900/1200*	7" (17.8 cm)	10" (25.4 cm)	2.4/4.6/6.6	6.6/3.9
DTWN3648	VIV300/600/1200*	VEV900/1200*	7" (17.8 cm)	10" (25.4 cm)	2.4/4.6/6.6	6.6/3.9
DTWN4248	VIV600/1200*	VEV900/1200*	7" (17.8 cm)	10" (25.4 cm)	4.6/6.6	6.6/3.9
DTWN4848	VIV1200*	VEV1200/1500**	10" (25.4 cm)	10" (25.4 cm)	7.0	4.3/5.1

* A 1,200 CFM interior- or exterior-power ventilator should be used when installed over range/rangetop with gas char-grill.

** It is recommended that the 1,500 CFM ventilator be used with longer duct runs.

Note: Maximum amp rating for hoods includes recommended ventilator kit rating. All products must be hard wired with two-wire ground. An interior- or exterior-power ventilator kit must be purchased for installation with all 18"H. hoods.



✦ Installation Notes & Accessories

Ventilator Kits

- See **Installation Requirements** table for recommendations for each hood model
- A 1,200 CFM interior or 1,500 CFM exterior (if applicable) ventilator should be used over ranges/rangetops with gas grill
- Must use Viking ventilator kits with Viking hoods; use of non-Viking kits voids product warranty

Kit model	Description	Hood models	Approx. ship wt. lbs. (kg)
DIV300	300 CFM interior power	DTWS3049/3649	15 (6.8)
DIV440	440 CFM interior power	DTWS3049/3649/4249	25 (11.3)
DIV880	880 CFM interior power	DTWS4849	36 (16.2)
DEV900	900 CFM exterior power	DTWS3049/3649/4249	39 (17.6)
DEV1200	1200 CFM exterior power	DTWS3649/4249/4849	53 (23.9)
DEV1500	1500 CFM exterior power	DTWS4849	47 (21.3)
VIV300	300 CFM interior power	DTWN3048/3648	27 (12.2)
VIV600	600 CFM interior power	DTWN3048/3648/4248	27 (12.2)
VIV1200	1200 CFM interior power	DTWN3048/3648/4248/4848	43 (19.4)
VEV900	900 CFM exterior power	DTWN3048/3648/4248	39 (17.6)
VEV1200	1200 CFM exterior power	DTWN3048/3648/4248/4848	53 (23.9)
VEV1500	1500 CFM exterior power	DTWN4848	47 (21.3)

Duct Covers

- DCW for DTWN models
 - 12"H./12"D.
 - Extend height of hood by 12"; conceal duct
- Stainless Steel (SS), Black (BK), White (WH), Biscuit (BT), Stone Gray (SG), and Graphite Gray (GG).
 - When ordering, specify finish code following accessory model number (for example, DCSB3008-SS)

Model	Description	Approx. ship wt. lbs. (kg)
DCW30	Duct cover for 30"W. DTWN	10 (4.5)
DCW36	Duct cover for 36"W. DTWN	11 (5.0)
DCW42	Duct cover for 42"W. DTWN	13 (5.9)
DCW48	Duct cover for 48"W. DTWN	14 (6.3)

Duct Cover Extensions

- For use with DTWS Slim Traditional Wall Hoods
- Extends height of hood by up to 12" (for 10' ceilings)
- Replaces adjustable duct cover supplied with hood
- Stainless Steel (SS), Black (BK), White (WH), Biscuit (BT), Stone Gray (SG), and Graphite Gray (GG).
 - Specify finish code following accessory model number (for example, DCCE1010-SS)

Model	Description	Approx. ship wt. lbs. (kg)
DCCE1010	Duct cover extension (for 30"W. DTWS hood)	4 (1.8)
DCCE1210	Duct cover extension (for 36" & 42"W. DTWS hoods)	6 (2.7)
DCCE2010	Duct cover extension (for 48"W. DTWS hood)	9 (4.1)



✦ Installation Notes & Accessories

Backsplashes

- Stainless Steel (SS)
- 30"H.
- Backsplashes protect the wall space below hood
- Create a continuous finish between cooking surface and hood
- Low maintenance, easy to clean
- Hemmed edges with screw holes
- Kit includes backsplash and fastening screws

Model	Description	Approx. ship wt. lbs. (kg)
BKS30	30"W. backsplash	7 (3.2)
BKS36	36"W. backsplash	9 (4.1)
BKS42	42"W. backsplash	12 (5.4)
BKS48	48"W. backsplash	14 (6.3)

Warming Shelf Panels

- Stainless Steel (SS)
- 12"D./12"H.
- Shelf panels hold cookware and condiments
- Fold up/down, heavy-duty warming shelves (non-removable), factory installed on stainless steel backsplash
- 15-7/8"W. X 10-1/8"D.
- Kit includes shelf (or shelves) and fastening screws

Model	Description	Approx. ship wt. lbs. (kg)
WGP30	30"W. warming shelf panels (one shelf)	9 (4.1)
WGP36	36"W. warming shelf panels (two shelves)	12 (5.4)
WGP42	42"W. warming shelf panels (two shelves)	14 (6.3)
WGP48	48"W. warming shelf panels (two shelves)	16 (7.2)

Compliance Information



WARRANTY SUMMARY*

- One-year full warranty—complete product
- Five-year limited warranty—all ventilator motors
- Ninety-day limited warranty—cosmetic parts such as glass, painted, and decorative items

*Must use Viking ventilator kits with Viking hoods; use of non-Viking kits voids product warranty. For complete warranty see *Use & Care Guide*.
Warranty valid on Viking products shipped within the United States and Canada.

Free Manuals Download Website

<http://myh66.com>

<http://usermanuals.us>

<http://www.somanuals.com>

<http://www.4manuals.cc>

<http://www.manual-lib.com>

<http://www.404manual.com>

<http://www.luxmanual.com>

<http://aubethermostatmanual.com>

Golf course search by state

<http://golfingnear.com>

Email search by domain

<http://emailbydomain.com>

Auto manuals search

<http://auto.somanuals.com>

TV manuals search

<http://tv.somanuals.com>