

# Viking Installation & Usage Guide



Viking Range Corporation

111 Front Street

Greenwood, Mississippi 38930 USA

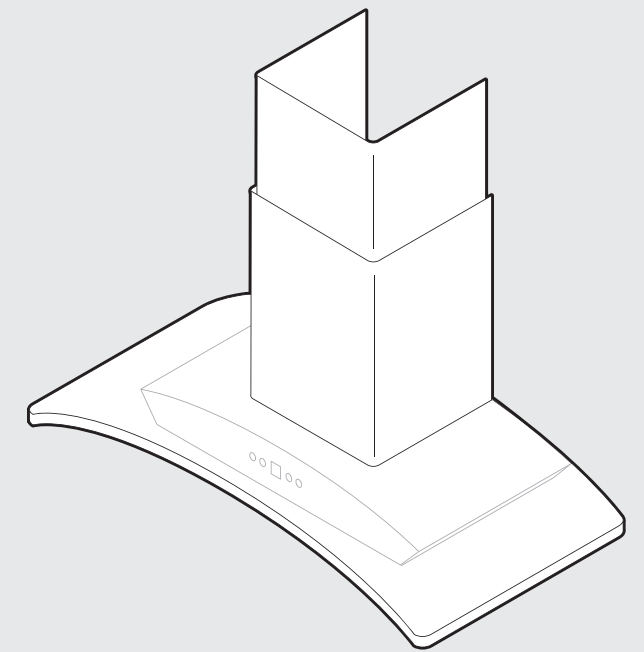
(662) 455-1200

For product information,

call 1-888-VIKING1 (845-4641)

or visit the Viking Web site at

[vikingrange.com](http://vikingrange.com)



## Designer Glass Wall Hood

# Table of Contents

Warnings & Important Information _____	3
Planning Information _____	5
Wiring _____	6
Hood Preparation (Ducted Configuration) _____	7
Hood Preparation (Non-Ducted Configuration) _____	8
Installation _____	9
Mounting Bracket _____	9
Hood _____	10
Non-ducted Recirculation Filter _____	11
Operation _____	12
Maintenance _____	13

# IMPORTANT— Please Read and Follow

**Your safety and the safety of others is very important.**

We have provided many important safety messages in this manual and on your appliance. **ALWAYS** read and obey all safety messages.



This is the safety alert symbol. This symbol alerts you to hazards that can kill or hurt you and others.

All safety messages will be preceded by the safety alert symbol and the word “DANGER,” “WARNING” or “CAUTION.” These words mean:

## **! DANGER**

**Hazards or unsafe practices which WILL result in severe personal injury or death**

## **! WARNING**

**Hazards or unsafe practices which COULD result in severe personal injury or death**

## **! CAUTION**

**Hazards or unsafe practices which COULD result in minor personal injury or property damage.**

All safety messages will identify the hazard, tell you how to reduce the chance of injury, and tell you what can happen if the instructions are not followed.

## **! WARNING**



## **FIRE AND ELECTRICAL SHOCK HAZARD**

To reduce the risk of fire, electric shock, or injury to persons, observe the following:

- Use this unit only in the manner intended by the manufacturer. If you have questions, contact the manufacturer at the address or telephone number listed in the warranty.
- Before servicing or cleaning unit, switch power off at service panel and lock service panel to prevent power from being switched on accidentally. When the service disconnecting means cannot be locked, securely fasten a prominent warning device, such as a tag, to the service panel.
- Installation work and electrical wiring must be done by a qualified person(s) in accordance with all applicable codes and standards, including fire-rated construction codes and standards.
- Sufficient air is needed for proper combustion and exhausting of gases through the flue (chimney) of fuel burning equipment to prevent backdrafting. Follow the heating equipment manufacturer’s guidelines and safety standards such as those published by the National Fire Protection Association (NFPA), and the American Society for Heating, Refrigeration and Air Conditioning Engineers (ASHRAE), and the local code authorities.
- When cutting or drilling into wall or ceiling, **DO NOT** damage electrical wiring and other hidden utilities.
- Ducted fans must **ALWAYS** be vented to the outdoors.
- **DO NOT** use this unit with any separate solid-state speed control device.
- To reduce the risk of fire, use only metal ductwork.
- This unit must be grounded.

# IMPORTANT— Please Read and Follow

**⚠ WARNING**

**FIRE HAZARD**  
To reduce the risk of a range top grease fire:

- **NEVER** leave surface units unattended at high settings. Boilovers cause smoking and greasy spillovers that may ignite. Heat oils slowly on low or medium settings.
- **ALWAYS** turn hood ON when cooking at high heat or when flambéing food (i.e. crepes suzette, cherries jubilee, peppercorn beef flambé).
- Clean ventilating fans frequently. Grease should not be allowed to accumulate on fan or filter.
- Use proper pan size. **ALWAYS** use cookware appropriate for the size of the surface element.

**⚠ CAUTION**

**FIRE HAZARD**  
To reduce the risk of fire and to properly exhaust air, be sure to duct air outside.

- **DO NOT** vent exhaust air into spaces within walls or ceilings or into attics, crawl spaces, or garages.

### Safety and Cautions

- Take care when using cleaning agents or detergents.
- Avoid using food products that produce flames under the range hood.
- For general ventilating use only. **DO NOT** use to exhaust hazardous or explosive materials and vapors.
- To avoid motor bearing damage and noisy and/or unbalanced impellers, keep drywall spray, construction dust, etc. off power unit.
- Your hood motor has a thermal overload which will automatically shut off the motor if it becomes overheated. The motor will restart when it cools down. If motor continues to shut off and restart, have the hood serviced.
- For best capture of cooking impurities, the bottom of the hood should be a minimum of 24" and a maximum of 30" above the cooking surface.
- Two installers are recommended because of the large size and weight of this hood.
- This product is equipped with a thermostat which may start blower automatically. To reduce the risk of injury and to prevent power from being switched on accidentally, switch power off at service panel and lock or tag service panel.
- Please read specification label on product for further information and requirements.

### In Case of Fire

To reduce the risk of injury to persons in the event of a range top grease fire, observe the following:\*

- Smother flames with a close-fitting lid, cookie sheet, or metal tray, then turn off the burner. Be careful to prevent burns. If the flames do not go out immediately, evacuate and call the fire department.
- **NEVER** pick up a flaming pan – you may be burned.
- **DO NOT** use water, including wet dishcloths or towels – violent steam explosion will result.
- Use an extinguisher **ONLY** if:
  - o You know you have a Class ABC extinguisher and you already know how to operate it.
  - o The fire is small and contained in the area where it started.
  - o The fire department is being called.
  - o You can fight the fire with your back to an exit.

\* Based on "Kitchen Fire Safety Tips" published by NFPA.

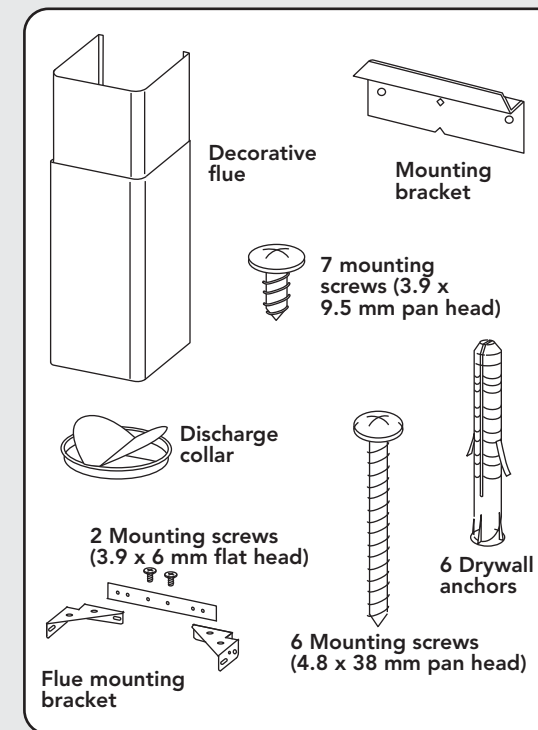
# Planning Information

### Prepare the hood

Unpack hood and check contents.

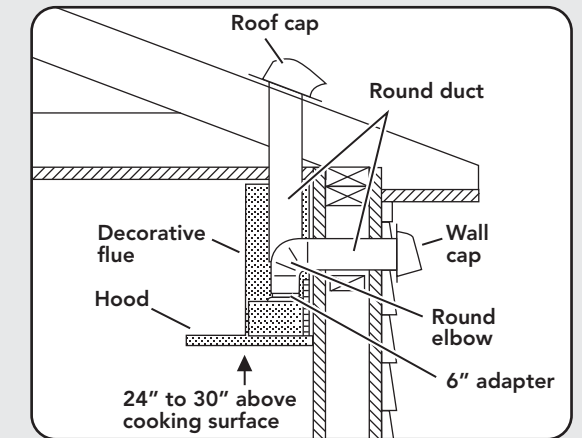
You should receive:

- 1 – Hood
- 1 – Decorative Flue Assembly
- 1 – Parts Bag containing:
  - 1 – Mounting Bracket
  - 1 – Discharge Collar
  - 1 – Flue Mounting Bracket
- 6 – Mounting Screws (4.8 x 38mm Pan Head)
- 7 – Mounting Screws (3.9 x 9.5mm Pan Head)
- 2 – Mounting Screws (3.9 x 6mm Flat Head)
- 6 – Drywall Anchors
- 1 – Installation Instructions



### Install the Ductwork (Ducted Hoods ONLY)

**Note:** To reduce the risk of fire, use only metal ductwork.

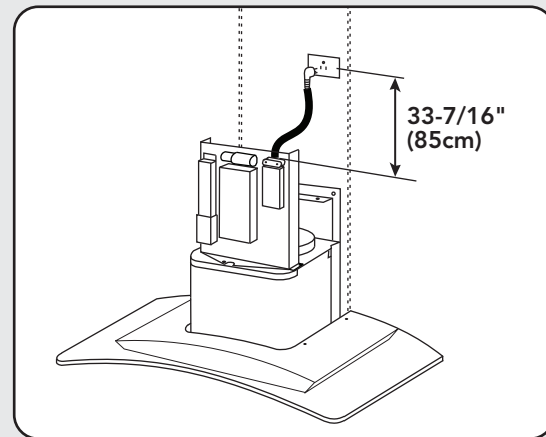


1. Decide where the ductwork will run between the hood and the outside.
2. A straight, short duct run will allow the hood to perform most efficiently.
3. Long duct runs, elbows, and transitions will reduce the performance of the hood. Use as few of them as possible. Larger ducting may be required for best performance with longer duct runs.
4. Install a roof or wall cap. Connect round metal ductwork to cap and work back towards hood location. Use duct tape to seal the joints between ductwork sections.

# Wiring

## Grounding Instructions

**Note:** This range hood must be properly grounded. The unit should be installed by a qualified electrician in accordance with all applicable national and local electrical codes.



This appliance must be grounded. In the event of an electrical short circuit, grounding reduces the risk of electric shock by providing an escape wire for the electric current. This appliance is equipped with a cord having a grounding wire with a grounding plug. The plug must be plugged into an outlet that is properly installed and grounded.

**⚠ WARNING**

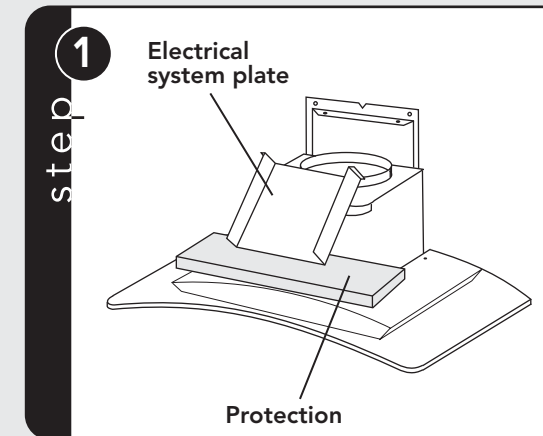
**ELECTRICAL SHOCK HAZARD**

Improper grounding can result in a risk of electric shock. Consult a qualified electrician if the grounding instructions are not completely understood, or if doubt exists as to whether the appliance is properly grounded. **DO NOT** use an extension cord. If the power supply cord is too short, have a qualified electrician install an outlet near the appliance.

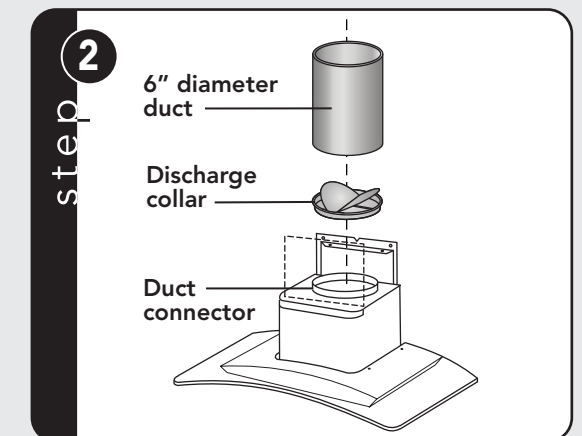
Set the electrical power supply within the space covered by the decorative flues. Position the power socket at a maximum distance of 33-7/16" (85 cm) from where the lead exits from the hood (see illustration). Make sure this does not interfere with the bracket fastening area or with the decorative flue (where the flue touches the wall). Fit plug into power socket.

# Hood Preparation (Ducted Configuration)

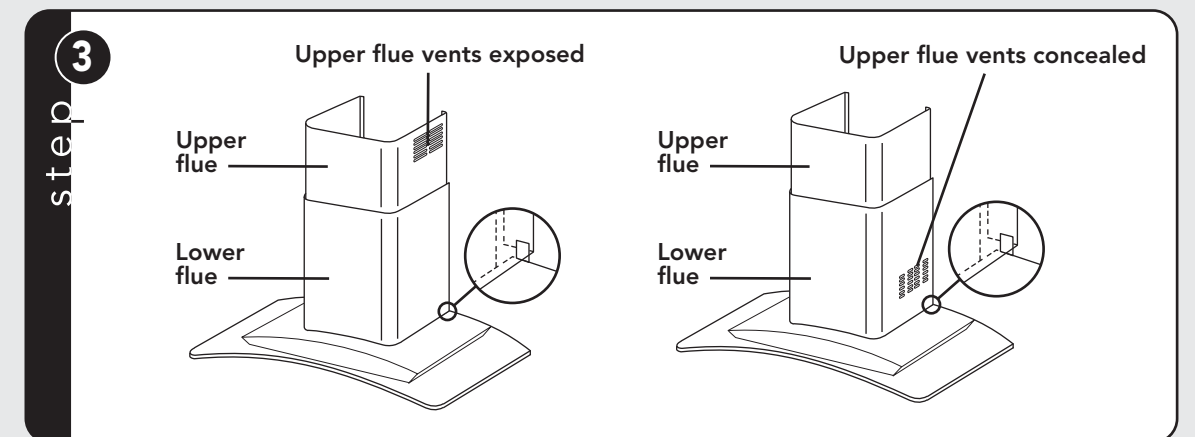
**Note:** On stainless steel hoods, carefully remove the plastic protective film from all exterior surfaces of the hood and decorative flues, prior to final installation.



Remove the tape on the electrical system plate; place the electrical system plate on the hood (use a protection).



Install the discharge collar into the duct connector of the range hood. Attach an adequate length of 6" round steel ducting to the range hood duct connector.



Carefully place the lower decorative flue into the recessed area of the range hood top. Carefully slide the upper decorative flue down inside the lower flue.

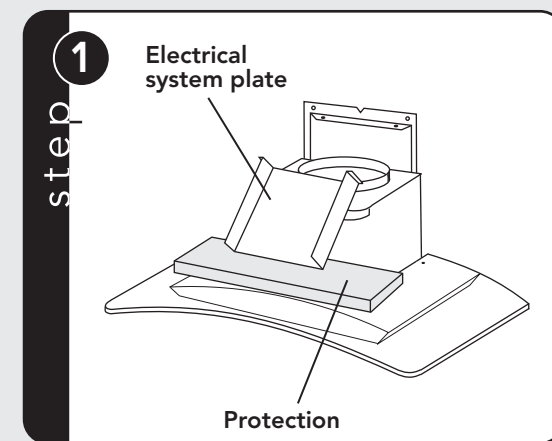
**Note:** On 8" ceilings the air vents on the upper flue are concealed by installing the flue with air vents down. On 9" ceilings, air vents on the upper flue will be exposed after installation.

# Hood Preparation (Non-Ducted Configuration)

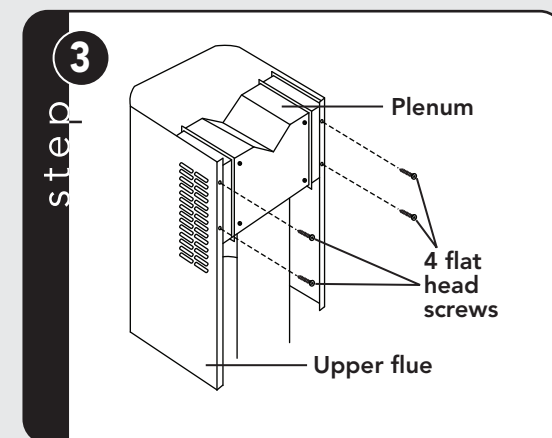
**Note:** The following materials must be purchased separately for non-ducted recirculation installations.

- Non-Ducted Recirculation Kit. (Model DGRK).
- 5" diameter expandable/flexible aluminum duct.
- 1/16" diameter twist drill.

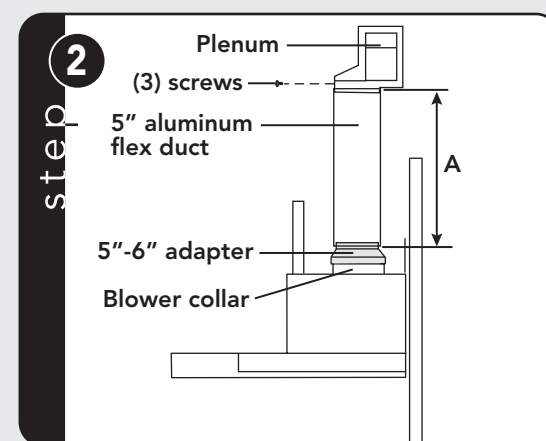
**CAUTION:** DO NOT use plastic or metal ducting.



Remove the tape on the electrical system plate; place the electrical system plate on the hood (use a protection).



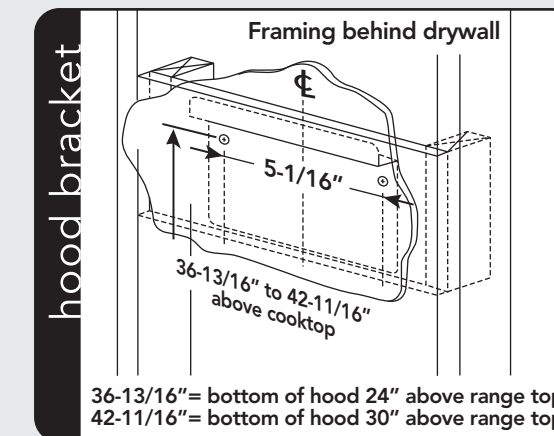
Secure the recirculation plenum to the upper flue with four flat head screws.



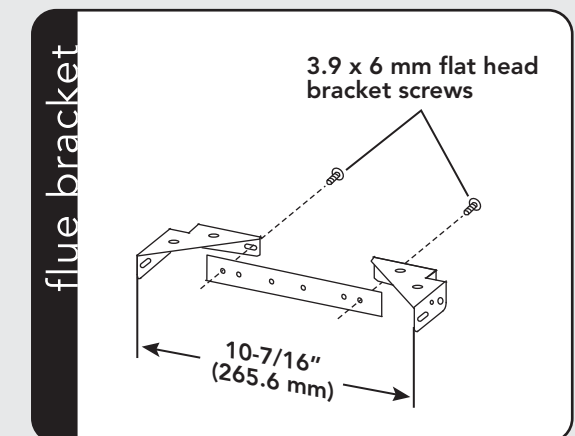
Discard discharge collar and damper supplied with the hood. Install the 5" to 6" adapter supplied with the Non-Ducted Recirculation Kit. Measure distance "A." Attach aluminum flexible duct to the 5" adapter. Tape all joints with duct tape. Assemble the recirculation plenum to the flex-ducting. Drill three 1/16" diameter equally spaced holes through the duct and duct connector of the recirculation plenum. Secure duct to the plenum's connector with three sheet metal screws (not included). Tape all joints with duct tape. Carefully place the lower decorative flue into the recessed area of the range hood top. Carefully slide the upper decorative flue down inside the lower flue.

**Note:** Air vents must be up.

# Installation (Mounting Bracket)



1. Construct wood wall framing that is flush with interior surface of wall studs. Make sure:
  - a) the framing is centered over installation location.
  - b) the height of the framing will allow the mounting bracket to be secured to the framing within the dimensions shown.
2. After wall surface is finished, secure mounting bracket to framing using dimensions below.
  - 36-13/16" = bottom of hood 24" above range top
  - 42-11/16" = bottom of hood 30" above range top



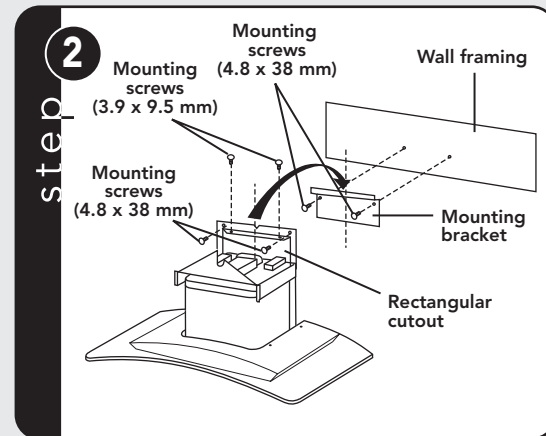
1. Assemble the flue mounting bracket, adjusting outside width as shown.
2. Carefully center the mounting bracket directly over the range hood location.
3. Secure the bracket assembly to the ceiling using two 4.8 x 38 mm mounting screws and drywall anchors. Make sure the bracket is pushed into the corner, tight against the wall, and centered over the hood.

# Installation (Hood)

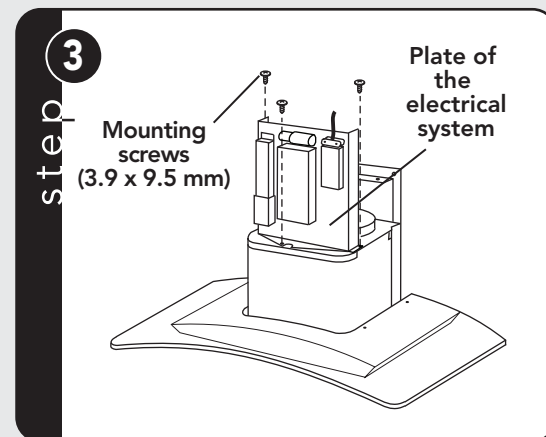
**Note:** At least two people will be required to mount the hood.

**step 1**

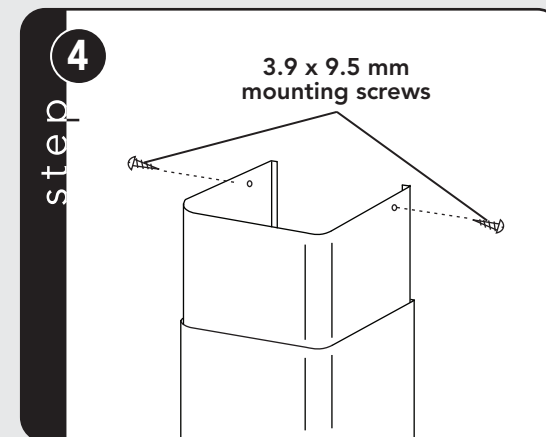
Raise the hood into its mounting position. Plug the power cord into the electric wall receptacle. Tuck excess cord behind the flue.



Align the rectangular opening on the back of the hood with the wall-mounting bracket. Gently lower the hood until it securely engages the bracket. Level the hood with two mounting screws (3.9 x 9.5 mm) and secure with two mounting screws. Use drywall anchors provided if wall studs or framing are not available.

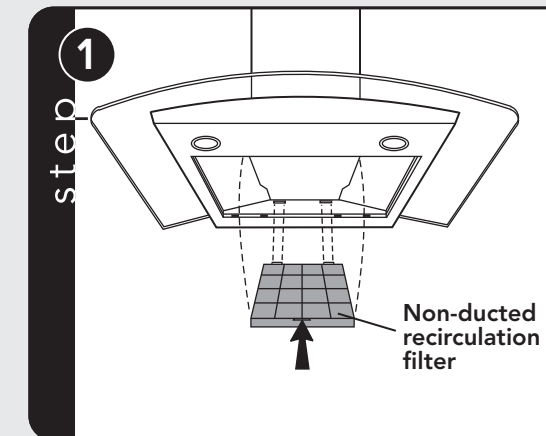


Mount the plate of the electrical system attaching it with three mounting screws (3.9 x 9.5 mm).



Raise the upper flue until its holes align with holes in the flue mounting bracket (located on ceiling). Secure the flue with two mounting screws.

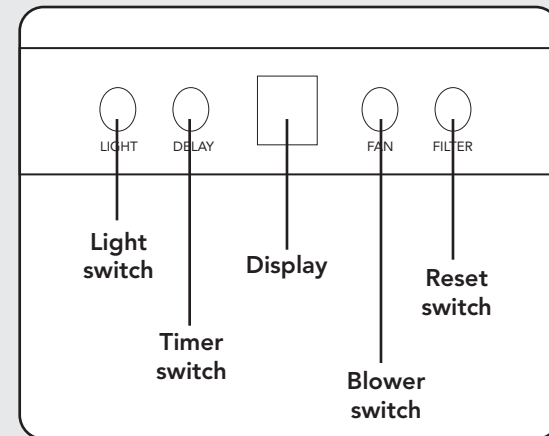
# Installation (Non-ducted Recirculation Filter)



Purchase a non-ducted recirculation filter from your dealer. Install the filter by pressing the two tabs on the filter down into the special housing and rotating upward.

# Operation

## Controls



The hood is operated using the four push-buttons located at eye-level, on the front edge of the hood.

The light switch turns the halogen lights on and off. Push the light switch once to turn the lights ON. Push a second time to turn the lights ON to a brighter level. Push a third time to turn the lights OFF.

The timer switch turns the blower timer on and off. Push this switch once to turn the timer ON. With the blower timer turned ON, the speed that was selected will blink in the display; if the speed selection is changed the blower timer will remain ON; the blower will shut off after 5 minutes.

The display indicates:

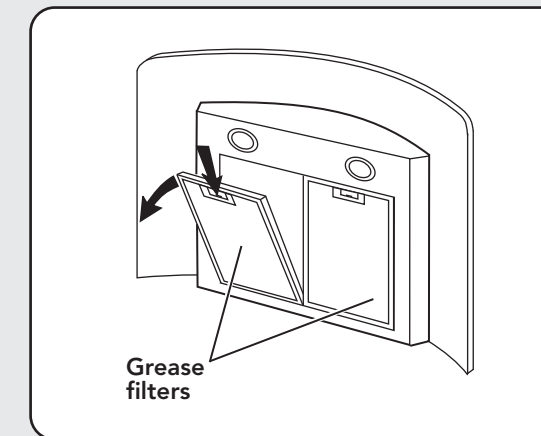
- The selected motor speed (from 1 to 4)
- Timer On when the number blinks;
- Filter Alarm when the central segments is on or blinking.

The blower switch turns the blower on and off. Push the switch once to turn the blower ON (turns on to last speed selected). Pushing the switch sequentially selects blower speeds from 1 to 4. To turn the blower OFF, push and hold the blower switch for approximately 2 seconds.

The reset switch resets the grease filter or charcoal filter alarm. When the center segment blinks, the grease filter needs to be cleaned and, if applicable, the charcoal filter should be replaced (only applicable when hood is installed for non-ducted recirculation). The filter alarm will be seen in the DISPLAY for approximately 30 seconds after the blower is turned OFF. To reset the hour counter, keep the switch pressed for 2 seconds when the alarm can be seen in the display.

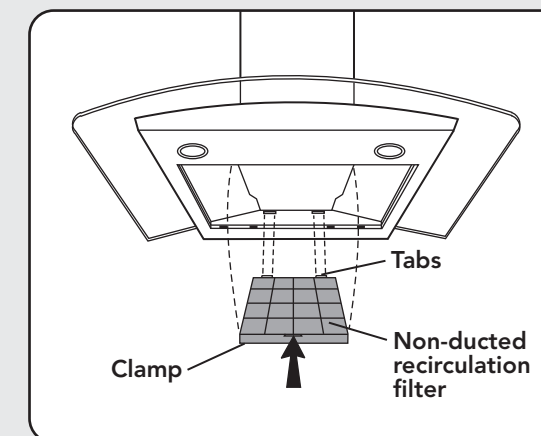
# Maintenance

## Grease Filters



The grease filters must be cleaned approximately once every 30 hours of operation (when the central segment on the display goes on or starts blinking). Use a warm detergent solution. Grease filters are dishwasher safe. Remove filter by pushing filter towards the back of hood and rotating filter downward.

## Non-ducted Recirculation Filter



The non-ducted recirculation filter should be changed whenever the central segment of the display starts blinking (i.e. every 120 hours of operation). To remove the filter, press inward on the clamp and rotate the filter downward until the two tabs can be removed from the housing.

## Hood Cleaning

Stainless steel is one of the easiest materials to keep clean. Occasional care will help preserve its fine appearance.

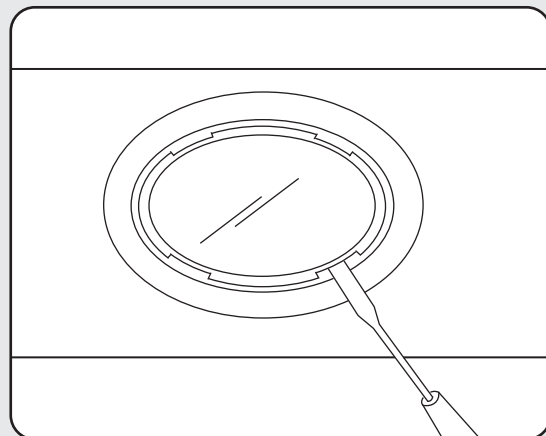
Cleaning tips:

- Hot water with soap or detergent is all that is usually needed.
- Follow all cleaning by rinsing with clear water. Wipe dry with a clean, soft cloth to avoid water marks.
- For discolorations or deposits that persist, use a non-scratching household cleanser or stainless steel polishing powder with a little water and a soft cloth.
- For stubborn cases, use a plastic scouring pad or soft bristle brush together with cleanser and water. Rub lightly in direction of polishing lines or "grain" of the stainless finish. Avoid using too much pressure which may mar the surface.
- **DO NOT** allow deposits to remain for long periods of time.
- **DO NOT** use ordinary steel wool or steel brushes. Small bits of steel may adhere to the surface causing rust.
- **DO NOT** allow salt solutions, disinfectants, bleaches, or cleaning compounds to remain in contact with stainless steel for extended periods. Many of these compounds contain chemicals which may be harmful. Rinse with water after exposure and wipe dry with a clean cloth.

Painted surfaces should be cleaned with warm water and mild detergent only.

# Maintenance (cont.)

## Halogen Bulbs



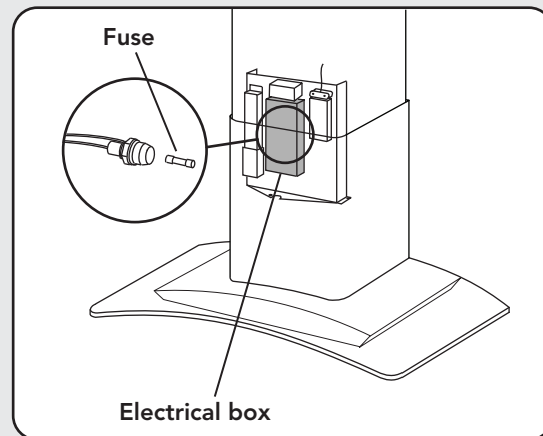
This range hood requires two halogen bulbs (max 20W, 12V, Type T3 bulb, G4 Base).

**ALWAYS SWITCH OFF THE ELECTRICITY SUPPLY BEFORE CARRYING OUT ANY OPERATIONS ON THE APPLIANCE.**

To change bulbs:

1. Open the cover by prying from the proper slots. **DO NOT** rotate. **CAUTION: BULB MAY BE HOT!**
2. Replace with a max 20W, 12V, Type T3 bulb, G4 Base bulb. **DO NOT** touch replacement bulb with bare hands! If the bulb is touched, it should be cleaned with a lint-free cloth moistened with methylated spirit.

## Fuse Replacement



**SWITCH OFF THE ELECTRICITY SUPPLY.**

Remove the decorative flue. Open the electrical box. Replace with the same type of fuse (5 x 20 mm, 4A, 125V).

# Warranty

## ONE YEAR FULL WARRANTY

Built-in hoods/ventilators and all of their component parts, except as detailed below\*, are warranted to be free from defective materials or workmanship in normal household use for a period of twelve (12) months from the date of purchase. **NOTE:** Viking Range ventilator kits are designed specifically for use with Viking Range hoods. Use of any non-Viking Range ventilator kits **VOIDS** the hood warranty. Viking Range Corporation, warrantor, agrees to repair or replace, at its option, any part which fails or is found to be defective during the warranty period.

\*Glass (including light bulbs), painted, and decorative items are warranted to be free from defective materials or workmanship for a period of ninety (90) days from the date of original retail purchase. ANY DEFECTS MUST BE REPORTED TO THE SELLING DEALER WITHIN NINETY (90) DAYS FROM DATE OF ORIGINAL RETAIL PURCHASE.

Viking Range Corporation uses the most up-to-date processes and best materials available to produce all color finishes. However, slight color variation may be noticed because of the inherent differences in painted parts and porcelain parts as well as differences in kitchen lighting, product locations, and other factors.

## FIVE YEAR LIMITED WARRANTY

Any hood/blower motor which fails due to defective materials or workmanship in normal household use during the second through the fifth year from the date of original retail purchase will be repaired or replaced, free of charge for the part itself, with the owner paying all other costs, including labor.

This warranty extends to the original purchaser of the product warranted hereunder and to each transferee owner of the product during the term of the warranty.

This warranty shall apply to products purchased and located in the United States and Canada. Products must be purchased in the country where service is requested. Warranty labor shall be performed by an authorized Viking Range Corporation service agency or representative. Warranty shall not apply to damage resulting from abuse, accident, natural disaster, loss of electrical power to the product for any reason, alteration, outdoor use, improper installation, improper operation or repair or service to the product by anyone other than an authorized Viking Range Corporation service agency or representative. This warranty does not apply to commercial usage. Warrantor is not responsible for consequential or incidental damage whether arising out of breach of warranty, breach of contract, or otherwise. Some jurisdictions do not allow the exclusion or limitation of incidental or consequential damages, so the above limitation or exclusion may not apply to you.

Owner shall be responsible for proper installation, providing normal care and maintenance, providing proof of purchase upon request, and making the appliance reasonably accessible for service. If the product or one of its component parts contains a defect or malfunction during the warranty period, after a reasonable number of attempts by the warrantor to remedy the defects or malfunctions, the owner is entitled to either a refund or replacement of the product or its component part or parts. Replacement of a component part includes its free installation. Warrantor's liability on any claim of any kind, with respect to the goods or services covered hereunder, shall in no case exceed the price of the goods or service or part thereof which gives rise to the claim.

**WARRANTY SERVICE:** Under the terms of this warranty, service must be performed by a factory authorized Viking Range Corporation service agent or representative. Service will be provided during normal business hours, and labor performed at overtime or premium rates shall not be covered by this warranty. To obtain warranty service, contact the dealer from whom the product was purchased, an authorized Viking Range Corporation service agent, or Viking Range Corporation. Provide model and serial number and date of original purchase. For the name of your nearest authorized Viking Range Corporation service agency, call the dealer from whom the product was purchased or Viking Range Corporation. **IMPORTANT:** Retain proof of original purchase to establish warranty period.

The return of the Owner Registration Card is not a condition of warranty coverage. You, however, should return the Owner Registration Card so that Viking Range Corporation can contact you should any question of safety arise which could affect you.

Any implied warranties of merchantability and fitness applicable to the above described ventilator motor are limited in duration to the period of coverage of the applicable express written limited warranties set forth above. Some jurisdictions do not allow limitations on how long an implied warranty lasts, so the above limitation may not apply to you. This warranty gives you specific rights, and you may also have other rights which may vary from jurisdiction to jurisdiction.



## Free Manuals Download Website

<http://myh66.com>

<http://usermanuals.us>

<http://www.somanuals.com>

<http://www.4manuals.cc>

<http://www.manual-lib.com>

<http://www.404manual.com>

<http://www.luxmanual.com>

<http://aubethermostatmanual.com>

Golf course search by state

<http://golfingnear.com>

Email search by domain

<http://emailbydomain.com>

Auto manuals search

<http://auto.somanuals.com>

TV manuals search

<http://tv.somanuals.com>