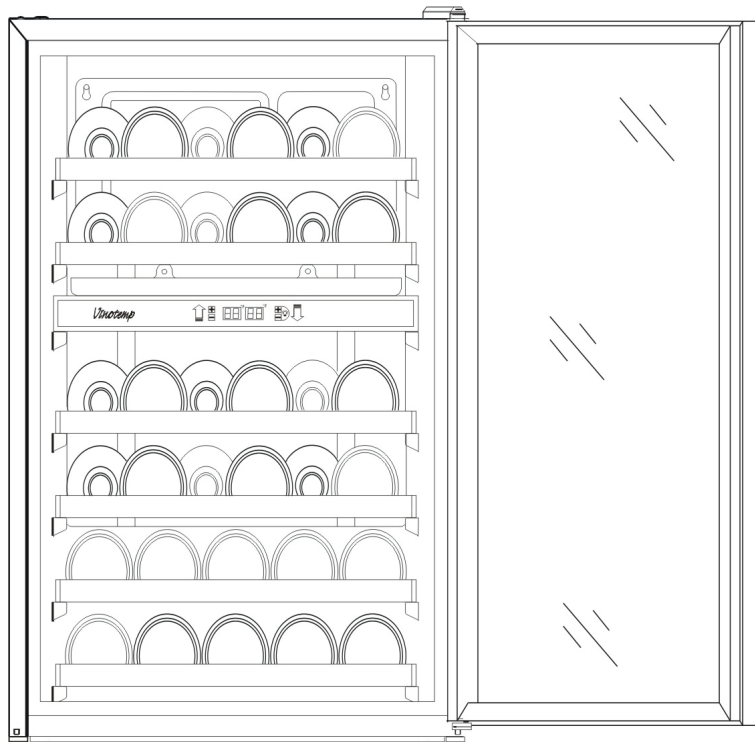


# Vinotemp®

A PROUD HERITAGE OF EXPERIENCE & QUALITY



## WINE CELLAR

VT-34-2ZONE (34 BOTTLE)

OWNER'S MANUAL



WWW.VINOTEMP.COM



## YOUR WINE CELLAR

This unit can be used for Storage and/or Service. The unit has a glass door and soft interior light that you can leave on to elegantly display your wine.

## SERVING WINES

Storing wines at the proper temperature is important. To preserve them as long as possible, wine should be stored at approximately 55° Fahrenheit. However, the chart below suggests the optimal drinking temperature for the different styles of wine.

°C	°F	Wine Style
19	66	Armagnac, Brandy, Cognac
18	64.5	Full Bodied Red wines, Shiraz
17	62	Tawny Port
15	59	Medium Bodied Red Wines
14	57	Amontillado Sherry
13	55.5	Light Bodied Red Wines
12	53.5	Full Bodied White Wines
11	52	Medium Bodied White Wines
10	50	Rosé, Light Bodied White Wines
9	48	Vintage Sparkling
8	53.5	Fino Sherry
7	44.5	Non Vintage Sparkling

## General Operating Instructions

Remove all external and internal packaging from your wine cellar. Be sure that all parts have been included before discarding any packaging materials. You may want to keep the box and packing materials for use at a later date.

Upon receipt and inspection of unit, the supply cord must be replaced if it is damaged. Contact our customer service at 1-800-777-8466 or [info@vinotemp.com](mailto:info@vinotemp.com).

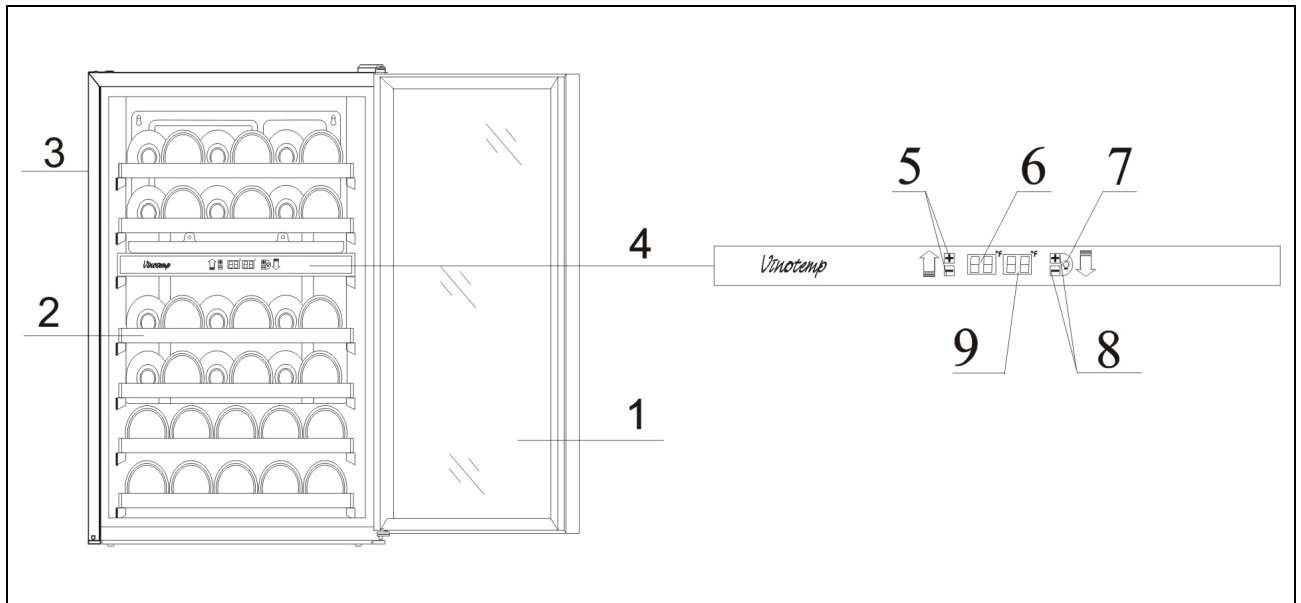
- Let the unit rest UNPLUGGED for 24 hours once you have it placed in your home.
- Please fully read the instruction manual.
- Save these instructions.

**Please read and follow all safety rules  
and operating instructions before using.**

## TABLE OF CONTENTS

PARTS AND SPECIFICATIONS.....	6
IMPORTANT SAFETY INSTRUCTIONS .....	7
CORD INSTRUCTIONS.....	8
WINE CELLAR INSTALLATION.....	8
OPERATING INSTRUCTIONS .....	9
TEMPERATURE CONTROL.....	9
WINE RACK INSTALLATION / REMOVAL.....	10
REVERSAL OF DOOR SWING .....	11
CLEANING AND CARE .....	12
MOVING YOUR WINE CELLAR.....	12
TROUBLESHOOTING .....	13
TERMS OF SALE AND WARRANTY .....	14
SERVICE & IMPORTANT NOTICE .....	15

## PARTS AND SPECIFICATIONS



1. Double-pane window
2. Shelf
3. Cabinet
4. Control panel
5. Temperature adjustment (for upper shelves, white wines)
6. LED display (for upper shelves, white wines)
7. Light button
8. Temperature adjustment (for lower shelves, red wines)
9. LED display (for lower shelves, red wines)

<b>Type</b>	2 Temp.
<b>Item Number</b>	VT-34-2ZONE
<b>Bottle Capacity</b>	Approx. 34
<b>Dimension (HxWxD) without handle</b>	32.8"×19.8"×22.6"
<b>Weight</b>	88 Lbs
<b>Input Power (90°F Ambient Temp.)</b>	87.5W
<b>Power Consumption (90°F Ambient Temp.)</b>	1.25 kW.h/24h
<b>Cooling System</b>	R134a
<b>Ambient Temp. Range</b>	60 ~ 90°F
<b>Temperature Range (for white wines)</b>	48 ~ 54°F
<b>Temperature Range (for red wines)</b>	55 ~ 65°F
<b>Rated Voltage</b>	115V
<b>Rated Frequency</b>	60Hz

## IMPORTANT SAFETY INSTRUCTIONS

When using an electrical appliance, basic precautions should be followed to reduce the risk of fire, electric shock, and personal injury.

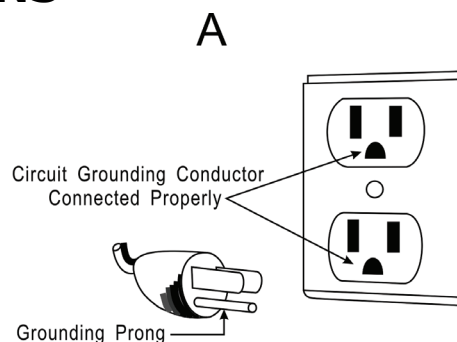
1. Use this appliance only as described in this manual. Other uses are not recommended and may cause fire, electric shock or injury.
2. This product is intended for household use.
3. To protect against electric shock, do not immerse unit, plug or cord in water or other liquids. Avoid locating the unit in moist areas.
4. Never allow children to operate, play with, or crawl inside the unit.
5. Unplug from the outlet when not in use, when moving from one location to another, or before cleaning.
6. To disconnect the appliance, grip the plug and pull it from the wall outlet. Never pull by the cord.
7. Do not operate the appliance in the presence of explosive and/or flammable fumes.
8. Do not place the appliance or any of its parts near an open flame, cooking or other heating appliance.
9. Do not operate the appliance with a damaged cord or plug. If the product malfunctions, or if it is dropped or damaged in any manner, do not use.
10. The use of attachments is not recommended and may be hazardous.
11. Do not operate if the housing is removed or damaged.
12. A loose fit plug may cause overheating and a distortion of the plug. Contact a qualified electrician to replace loose or worn outlet.
13. This unit is designed to be free standing only, not to be built in.
14. The wine cellar is intended for use in a controlled ambient location such that the ambient temperature does not exceed 90°F (32°C).
15. Locate the unit away from direct sunlight and sources of heat (stove, heater, radiator, etc.). Direct sunlight may affect/alter the outside color of the appliance.

**WARNING:** To reduce the risk of fire, electric shock or personal injury, unplug or disconnect the appliance from the power supply before servicing.

**WARNING:** Risk of child entrapment. Before you throw away your old wine cellar, take off the door and leave the shelves in place so that children may not easily climb inside.

## CORD INSTRUCTIONS

For your protection, this unit should be properly grounded. Unit is equipped with a 3-conductor cord set that has a molded 3-prong grounding-type plug, and should be used in combination with a properly connected grounding-type outlet as shown in figure A.



It is not recommended to use this wine cellar with an extension cord or power board. Please ensure that the appliance is plugged directly into the electrical outlet.

## WINE CELLAR INSTALLATION

- Remove all exterior and interior packaging before use.
- Check to be sure you have all of the parts and 1 owner's manual.
- Place your wine cellar on a flat, dry surface that is strong enough to support the unit when fully loaded.
- This unit is designed to be free standing only.
- Do not place heavy objects on top of the unit.
- Unit is not designed for installation in a garage or basement.
- Do not place the unit in direct sunlight or near sources of heat. Extreme hot and cold ambient temperatures may cause the unit not to perform properly or increase electrical consumption.
- Do not place the unit next to a major appliance that emits large amounts of heat, such as a dishwasher, microwave, oven, etc.
- Do not plug unit into the same outlet as a refrigerator or microwave.
- Before connecting the appliance to the power source, let it stand upright for approximately 24 hours. This will reduce the possibility of a malfunction in the cooling system from handling during transportation.
- Clean the interior surface with lukewarm water using a soft cloth before first use.



## OPERATING INSTRUCTIONS

1. Gently place/slide the racks in the wine cellar.
2. Determine the best temperature setting to use.
3. Place bottles inside the cooler.
4. Plug the power cord into a standard electrical outlet.
5. Limit the frequency of opening the door to conserve energy and maintain proper storage temperature.
6. You can turn the interior light on and off by touching the button labeled with a light bulb on the front control panel.

**Important:** When using the wine cellar for the first time, allow at least 24 hours for the internal temperature to adjust properly. Make sure there are at least 3 to 5 bottles in the unit.

## TEMPERATURE CONTROL

**Important:** In order to operate efficiently, this product should be in an environment with an ambient temperature of less than 90°F (32°C).

### **Temperature preset:**

For your convenience, the wine cellar is programmed at storing temperature. White wines are stored in the upper two shelves of the cabinet. The white temperature pre-set by the manufacture is 48°F (9°C). Red wines are stored in the lower four shelves of the cabinet. The red temperature pre-set by the manufacture is 55°F (13°C).

### **Setting the temperature control (manually):**

You can manually adjust the temperature. Simply press the (-) button on the control panel to decrease the temperature and the (+) button to increase the temperature inside the wine cellar. The temperature range for white wines is from 48°F (9°C) to 54°F (12°C). The temperature range for red wines is from 55°F (13°C) to 65°F (18°C).

When the cabinet temperature is too low, the LED will display "LL". When the temperature is too high, it will display "HH". The "ER" display shows when there has been a power disruption.

## WINE RACK INSTALLATION / REMOVAL

**To prevent damaging the door gasket, make sure to have the door all the way open when pulling shelves out of the rail compartment.**

### **To insert a rack in the cabinet (See Figure 1):**

1. Using a right angle engagement on both sides, gently push the rack into the cabinet until the notch is positioned over the screw, then put it down over the screws and push the shelf into the cabinet until it stops.

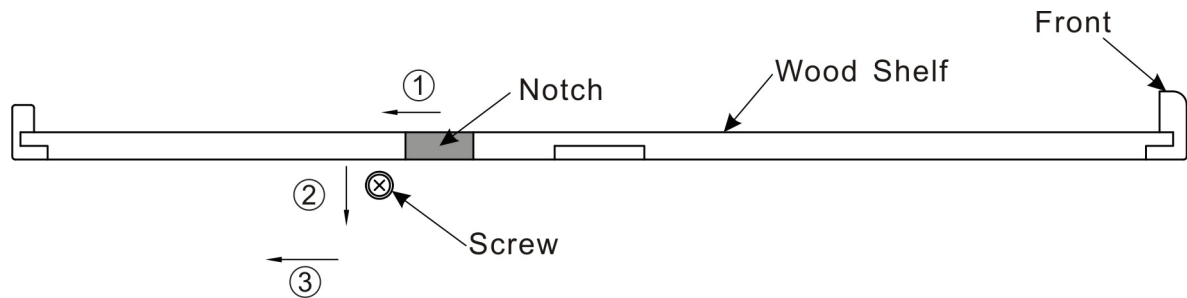


Figure 1

### **To remove a rack from the cabinet (See Figure 2):**

1. Remove all bottles stored on the wood shelf.
2. Grasp the front of the shelf, and gently slide it until the side screws are positioned above the notches in the shelf, then lift the shelf and take it out.

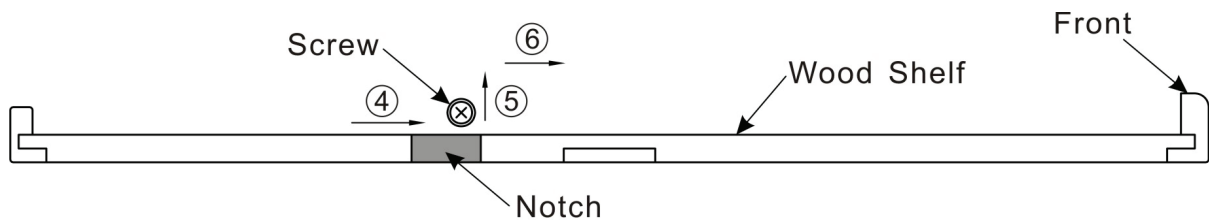


Figure 2

## REVERSAL OF DOOR SWING

The door of the wine cellar could be opened either from the left or right side. The wine cellar is installed to open from the left side.

### **To reverse, please do as follows:**

1. Remove the hinge cover on top right side of the cellar, then remove the bolts and take off the hinge, and put them to the side.
2. Take off the door accordingly and put it to the side gently.
3. Remove the plugs from the left side top of the cellar and insert them into the hole on the right side.
4. Remove the hinge bracket on bottom right side of cellar, flip the bracket over and then transfer it to the opposite side. Make certain the leveling legs are properly adjusted.
5. Install the door. (Note: the door must be upside down to insure proper installation).
6. Install the hinge on the top right side of the cellar, screw the bolts tightly, and then install the hinge cover.

**Note:** Please remember, do not power up the unit for 48 hours, to allow the coolants to settle inside the compressor.

### **OTHER OPERATION NOTES:**

1. Always store wine in properly sealed bottles.
2. Do not overload the cabinet.
3. Do not cover shelves with aluminum foil or any other shelf material which may prevent air circulation.
4. Should the wine cooler be stored without use for long periods, it is suggested, after a careful cleaning, to leave the door ajar to allow air to circulate inside the cabinet in order to avoid possible formations of condensation, mold or odors.

## **CLEANING AND CARE**

- Always unplug the wine cellar before cleaning.
- Do not use benzene, scrubbing brushes or chemical cleaners as these will damage the unit.
- Use only a mild, nonabrasive cleanser to clean the exterior of the cabinet.
- Clean the stainless steel door and handle by wiping with a warm water and baking soda solution. The solution should be about 2 tablespoons of baking soda to a quart of water.
- Wood shelving does not require cleaning.
- Always dry all parts with a clean dry cloth before plugging the wine cellar back into the receptacle.

## **MOVING YOUR WINE CELLAR**

- Always unplug the wine cellar before moving.
- Always remove all bottles before moving the wine cellar.
- Securely tape down all loose items (shelves) inside your appliance.
- Turn the leveling legs up to the base to avoid damage.
- Tape the door shut.
- Be sure the wine cellar stays in the upright position during transportation
- Protect the outside of appliance with a blanket or similar item when moving as needed.

## TROUBLESHOOTING

You can solve many common wine cellar problems easily, saving you the cost of a possible service call. Try the suggestion below to see if you can solve the problem before contacting Vinotemp at [info@vinotemp.com](mailto:info@vinotemp.com).

<b>SYMPTOM</b>	<b>POSSIBLE CAUSE</b>
Door will not close properly.	<ul style="list-style-type: none"> <li>• The wine cellar is not level.</li> <li>• The shelves are out of position.</li> <li>• The door was reversed and not properly installed.</li> <li>• The door gasket is dirty.</li> <li>• A bottle in the cellar is too long.</li> </ul>
Unit does not operate—does not have power	<ul style="list-style-type: none"> <li>• Check that unit is plugged into the wall socket.</li> <li>• Make sure the wall socket has power. If outlet is controlled by a wall switch, make sure switch is set to on. Test wall socket functionality by testing another electrical appliance in the power socket.</li> </ul>
Power is ON but the unit will not cool.	<ul style="list-style-type: none"> <li>• Make sure there are at least 3 to 5 bottles in the unit. When using the unit for the first time, it can take up to 24 hours to reach the desired temperature.</li> <li>• If the room temperature is above 90°F (32°C), the unit can have difficulty cooling. Humidity does not affect the cooling ability of the unit.</li> <li>• To achieve accurate temperature control, the unit should not be used or operated in any of the following locations:               <ul style="list-style-type: none"> <li>○ In a sunny place</li> <li>○ In a room with poor air circulation such as a garage near another heat-producing appliance such as a dishwasher, oven or refrigerator.</li> <li>○ With an outlet shared with a refrigerator, as the refrigerator will drain power from the wine cellar.</li> <li>○ In a cabinet or closet.</li> </ul> </li> <li>• Make sure the cooling vents are not obstructed.</li> </ul>
Fan is always running.	<ul style="list-style-type: none"> <li>• This is simply a function of the cooling system. The lower the setting, the more the fan will run. If the room is warmer than 90°F (32°C), it will run more.</li> <li>• The unit has been designed to run continuously when operating at the lower temperatures.</li> </ul>
Vibrations	<ul style="list-style-type: none"> <li>• Check to make sure the wine cellar is level.</li> </ul>

# TERMS OF SALE AND WARRANTY

Vinotemp International ("Seller") and the person or entity that acquires these goods from Seller ("Purchaser") hereby fully agree to the following terms and conditions of the sale: Shipping fees are the responsibility of the Purchaser whether freight prepaid or freight collect. Seller assumes no responsibility for the goods sold to the Purchaser once the goods have left the Seller's premises, including, but not limited to, late delivery by the moving carrier, or for events caused by any difficulty carrier incurs in attempting to fit the goods into the Purchaser's place of business or residence due to the size of the goods or otherwise. Purchaser assumes all responsibility for delivery, payment of freight, access, measurement, installation, hook-up, wiring, moving and storage of the goods. The transportation of all goods is subject to the terms and conditions which the moving carrier imposes on Purchaser including, but not limited to, additional charges imposed per flight of stairs, and/or additional charges resulting from the carrier's inability to safely and/or adequately use the building elevator to lift the goods to an upper floor. Any claim for damages incurred during shipment by the carrier of the goods are insured and handled directly with the carrier. Any damages due to manufacture defects will be handled directly with Vinotemp International, subject to the limited warranty.

All sales are final, and unless authorized in writing by the Seller, Purchaser may not return the goods, under any circumstance. If Purchaser refuses to accept the goods, under any circumstance, the Purchaser is liable for the return and cost of freight both ways, and if Seller does take back the goods, there will be a restocking charge that is 35% of the purchase price of the goods. Purchaser must notify Seller of non-conforming goods within four days of delivery, after which time all goods are deemed accepted.

If Purchaser tenders payment with a check that has insufficient funds (NSF), or stops payment on a check or credit card for any reason, Purchaser agrees to pay for all costs associated with the Seller's connection or litigation of such a claim, including without limitation extra damages, court costs and attorneys' fees. Finance charges begin the date of invoice. Collection fees plus NSF fee of \$50 will be added to your invoice, which you agree to promptly pay. Title to the goods does not pass until payment is received in full by Seller and Seller retains a security interest in the goods until they are paid for in full.

**LIMITED WARRANTY:** Seller warrants that the goods will be free of defects in materials and workmanship as follows: Metal cabinet wine, beverage, refrigerator and freezer units: parts and labor for cooling system and cabinetry for a period of 12 (twelve) months from date of sale, removal and re-installation of unit is not included in warranty. For a scratch and dent or refurbished unit, warranty is 3 months from your dated invoice (parts for function only, not cosmetic). There is no warranty on parts purchased separately. Purchaser's exclusive remedy is limited, at Seller's option; to repair or replace defective part[s] with either new or factory reconditioned part[s]. Purchaser is responsible for shipping the unit pre-paid to designated facility and Seller will pay return shipping charges in the continental United States for items repaired under warranty within 12 months from date of sale. Improper placement of the unit will void the warranty. This limited warranty does not cover damage due to such things as accident, misuse, abuse, mishandling, neglect, acts of God, fires, earthquakes, floods, high winds, government, war, riot or labor trouble, strikes, lockouts, delay of carrier, unauthorized repair, or any other cause beyond the control of the Seller, whether similar or dissimilar to the foregoing. Seller is not responsible for any damages caused to Seller's property resulting from the good. This limited warranty applies only inside the Continental US. (Alaska, Puerto Rico and Hawaii are not warranted).

Purchaser understands and acknowledges that the goods sold here are wine cellars and/or other similar units which house wine. Purchaser assumes all risk of using these units, including risk of spoilage, humidity variations, temperature variations, leaks, fire, water damage, mold, mildew, dryness and similar and any other perils that might occur.

Seller is not responsible for incidental or consequential damages, and there are no warranties, expressed or implied, which extend beyond the Limited Warranty described above. The implied warranties of merchantability and of fitness for a particular purpose are hereby expressly disclaimed. Some states do not allow the exclusion of incidental or consequential damages, or a waiver of the implied warranties of fitness and/or merchantability, so the above limitations may not apply to you. This warranty gives you specific legal rights and you may also have other rights which vary from state to state.

In the event of any dispute between Seller and Purchaser arising out of or relating to these terms and conditions or to the goods sold generally, Purchaser must first file a written claim with Seller within ten days of the occurrence giving rise to the claim and wait an additional thirty days for a response before initiating any legal action. The sale and all terms are subject to California law. Any legal proceeding arising out of or relating to these terms and conditions or to the goods sold generally shall be brought solely and exclusively in the County of Los Angeles. In no event may Purchaser initiate any legal proceeding more than six months after the occurrence of the event giving rise to the dispute.

The above terms and conditions are the only ones governing this transaction and Seller makes no oral representations of any kind. These Terms and Conditions can only be modified in writing, signed by both Purchaser and Seller. 07/08

## **SERVICE & IMPORTANT NOTICE**

Upon receipt and inspection of unit, the supply cord must be replaced if it is damaged. Contact our customer service at 1-800-777-8466 or [info@vinotemp.com](mailto:info@vinotemp.com).

The manufacturer has a policy of continuous improvement on its products and reserves the right to change materials and specifications without notice.

## **WARNING**

**Please do not place the unit within reach of children.  
For adult use only.**

Contact **[info@vinotemp.com](mailto:info@vinotemp.com)** with any questions or visit:

**[www.vinotemp.com](http://www.vinotemp.com)**



17631 S. Susana Road  
Rancho Dominguez, CA 90221  
[www.vinotemp.com](http://www.vinotemp.com)

Vinotemp is a registered trademark of Vinotemp International. All products, features, and services are subject to change without notice. We cannot guarantee the accuracy of the contents of this document. We disclaim liability for errors, omissions, or future changes.

© 2008 Vinotemp International. All rights reserved.



## Free Manuals Download Website

<http://myh66.com>

<http://usermanuals.us>

<http://www.somanuals.com>

<http://www.4manuals.cc>

<http://www.manual-lib.com>

<http://www.404manual.com>

<http://www.luxmanual.com>

<http://aubethermostatmanual.com>

Golf course search by state

<http://golfingnear.com>

Email search by domain

<http://emailbydomain.com>

Auto manuals search

<http://auto.somanuals.com>

TV manuals search

<http://tv.somanuals.com>