



User Manual

GV25-EU

GV35-EU

GV702-EU



english	User Manual.....	1-11
deutsch	Betriebsanleitung.....	xxx
français	Notice d'utilisation	xxx
nederlands	Gebbruiksaanwijzing.....	xxx
italiano	Istruzioni sull'uso.....	xxx
español	Instrucciones de manejo.....	xxx
portugues	Instruções de operação.....	xxx

Company information:

WWW.vipercleaning.eu

info-eu@vipercleaning.com



GV12066(1) – 2009-01-01

TABLE OF CONTENTS

INTRODUCTION 2

 MANUAL PURPOSE AND CONTENTS 2

 TARGET 2

 HOW TO KEEP THIS MANUAL 2

 DECLARATION OF CONFORMITY 2

 OTHER REFERENCE MANUALS 2

 SPARE PARTS AND MAINTENANCE 2

 CHANGES AND IMPROVEMENTS 3

 OPERATION CAPABILITIES 3

 CONVENTIONS 3

UNPACKING/DELIVERY 3

SAFETY 3

 SYMBOLS 3

 GENERAL INSTRUCTIONS 4

MACHINE DESCRIPTION 6

 MACHINE STRUCTURE 6

 TECHNICAL DATA 7

 WIRING DIAGRAM 8

OPERATION OF WET&DRY VACUUM 9

 BASIC OPERATION 9

 MAINTENANCE 10

 STORAGE 11

INTRODUCTION (CAUTION: Read the instruction manual before using the appliance)



NOTE

The numbers in brackets refer to the components shown in Machine Description chapter.

MANUAL PURPOSE AND CONTENTS

The purpose of this Manual is to provide the operator with all necessary information to use the machine properly, in a safe and autonomous way. It contains information about technical data, safety, operation, storage, maintenance, spare parts and disposal. Before performing any procedure on the machine, the operators and qualified technicians must read this Manual carefully. Contact VIPER in case of doubts concerning the interpretation of the instructions and for any further information.

TARGET

This Manual is intended for operators and technicians qualified to perform the machine maintenance. The operators must not perform procedures reserved for qualified technicians. VIPER will not be answerable for damages coming from the non-observance of this prohibition.

HOW TO KEEP THIS MANUAL

The User Manual must be kept near the machine, inside an adequate case, away from liquids and other substances that can cause damage to it.

DECLARATION OF CONFORMITY

The declaration of conformity, supplied with the machine, certifies the machine conformity with the law in force.



NOTE

Two copies of the original declaration of conformity are provided together with the machine documentation. CE-declaration is print in Quick Start Guide

IDENTIFICATION DATA

The machine model and serial number are marked on the plate.

The machine model year is written in the declaration of conformity and it is also indicated by the first two figures of the machine serial number.

This information is useful when requiring machine spare parts. Use the following table to write down the machine identification data.

MACHINE model
MACHINE serial number

OTHER REFERENCE MANUALS

- Service Manual (that can be consulted at VIPER Service Centers)
- Spare Parts List (see www.vipercleaning.eu)

SPARE PARTS AND MAINTENANCE

All necessary operating, maintenance and repair procedures must be performed out by qualified personnel or by VIPER Service Centers. Only original spare parts and accessories must be used.

Contact VIPER for service or to order spare parts and accessories, specifying the machine model and serial number.

CHANGES AND IMPROVEMENTS

VIPER constantly improves its products and reserves the right to make changes and improvements at its discretion without being obliged to apply such benefits to the machines that were previously sold.

Any change and/or addition of accessories must be approved and performed by VIPER.

OPERATION CAPABILITIES

This dry and wet vacuum cleaner is a cleaning appliance for professional use and is suitable for commercial use, for example in hotels, schools, hospitals, factories, shops, offices, and rental businesses. The appliance is intended for the dry and wet vacuum cleaning of textile floorings and wall coverings, sucking up dust and liquids.

CONVENTIONS

Forward, backward, front, rear, left or right and up are intended with reference to the operator's position, that is to say in working position with the handle.

UNPACKING/DELIVERY

To unpack the machine, carefully follow the instructions on the packing.

When the machine is delivered, check that the packing and the machine were not damaged during transportation. In case of visible damages, keep the packing and have it checked by the carrier that delivered it. Call the carrier immediately to fill in a damage claim.

Check that the machine is equipped with the following features:

1. Technical documents:
 - VACUUM CLEANER User Manual
 - VACUUM CLEANER Spare Parts List

SAFETY

The following symbols indicate potentially dangerous situations. Always read this information carefully and take all necessary precautions to safeguard people and property.

The operator's cooperation is essential in order to prevent injury. No accident prevention program is effective without the total cooperation of the person responsible for the machine operation. Most of the accidents that may occur in a factory, while working or moving around, are caused by failure to comply with the simplest rules for exercising prudence. A careful and prudent operator is the best guarantee against accidents and is essential for successful completion of any prevention program.

SYMBOLS



DANGER!

It indicates a dangerous situation with risk of death for the operator.



WARNING!

It indicates a potential risk of injury for people or damage to objects.



CAUTION!

It indicates a caution related to important or useful functions. Pay careful attention to the paragraphs marked by this symbol.



NOTE

It indicates the necessity to refer to the User Manual before performing any procedure.

GENERAL INSTRUCTIONS

Specific warnings and cautions to inform about potential damages to people and machine are shown below.



DANGER!



- *Always disconnect the power supply cable when the machine is not in use, before performing maintenance procedures and before replacing parts or converting the appliance to another .*
- *This machine must be used by properly trained and authorised personnel only. Children or disabled people cannot use this machine.*
- *Do not wear jewels when working near electrical components.*
- *Do not work under the lifted machine without supporting it with safety stands.*
- *Do not operate the machine near toxic, dangerous, flammable and/or explosive powders, liquids or vapours.*



WARNING!



- *The machine power supply cable is grounded and the relevant plug is grounded too. In case of machine malfunction or breakdown, grounding connection reduces the risk of electric shock.*
- *The power supply cable plug must be connected to an appropriate outlet, which is grounded according to law in force.*
- *This appliance is not intended for use by persons (including children) with reduced physical, sensory or mental capabilities, or lack of experience and knowledge, unless they have been given supervision or instruction concerning use of the appliance by a person responsible for their safety.*
- *Children should be supervised to ensure that they do not play with the appliance.*
- *if the supply cord is damaged, it must be replaced by the manufacturer, its service agent or similarly qualified persons in order to avoid a hazard.*
- *Improper connection can cause electric shock. Consult a qualified technician to make sure that the outlet is properly grounded.*
- *Do not tamper with the power supply cable plug. If the power supply cable plug cannot be connected to the outlet, have new grounded outlet installed by a qualified technician, according to the law in force.*
- *Before connecting the power supply cable to the electrical mains, check that frequency and voltage, shown on the machine serial number plate, match the electrical mains voltage.*
- *Regularly examine the supply cable for damage, such as cracking or ageing, cuts, etc. If the damaged is found, replace the cord before further use.*
- *To avoid any risk, if the power supply cable is damaged, contact VIPER Service Center or a qualified technician.*
- *Do not pull or carry the machine by the power supply cable and never use the power supply cable as a handle. Do not close a door on the power supply cable, or pull the power supply cable around sharp edges or corners. Do not run the machine on the power supply cable.*
- *Keep the power supply cable away from heated surfaces.*
- *To reduce the risk of fire, electric shock, or injury, do not leave the machine unattended when it is plugged in. Disconnect the machine from the electrical mains when not in use and before performing maintenance procedures.*
- *To avoid electric shock, do not expose the machine to rain or other bad weather conditions. Store the machine indoors, in a dry place.*
- *Do not allow to be used as a toy. Close attention is necessary when used near children.*
- *Use only as shown in this Manual. Use only VIPER's recommended accessories.*
- *Take all necessary precautions to prevent hair, jewels and loose clothes from being caught by the machine moving parts.*
- *Do not leave the machine unattended without being sure that it cannot move independently.*
- *While using this machine, take care not to cause damage to people or objects.*
- *Do not bump into shelves or scaffoldings, especially where there is a risk of falling objects.*
- *Do not use to pick up flammable or combustible liquids such as gasoline, or use in areas where they may be present .*
- *Do not pick up anything that is burning or smoking, such as cigarettes, matches or hot ashes..*
- *Use extra care when cleaning on stairs.*
- *This appliance is not suitable for picking up hazardous dust.*
- *This appliance is for dry use only and is not be used or stored outdoors in wet conditions.*
- *This appliance is suitable for commercial use, for example in hotels, schools, hospitals, shops, offices, and rental businesses.*
- *The machine working temperature must be between 0°C and +40°C.*
- *The machine storage temperature must be between 0°C and +40°C.*

- *The humidity must be between 30% and 95%.*
- *Do not use the machine as a means of transport.*
- *Do not use the machine on slopes with a gradient exceeding the specifications.*
- *In case of fire, use a powder fire extinguisher, not a water one.*
- *Do not tamper with the machine safety guards and follow the ordinary maintenance instructions scrupulously.*
- *Do not allow any object to enter into the openings. Do not use the machine if the openings are clogged. Always keep the openings free from dust, hairs and any other foreign material which could reduce the air flow.*
- *Do not remove or modify the plates affixed to the machine.*
- *If the machine is used according to the instructions, the vibrations are not dangerous. The machine vibration level is less than 2.5 m/s² (98/37/EEC-EN 1033/1995).*
- *This machine cannot be used on roads or public streets.*
- *Pay attention during machine transportation when temperature is below freezing point. The water in the recovery tank or in the hoses could freeze and seriously damage the machine.*
- *In case of machine malfunctions, ensure that these are not due to lack of maintenance. If necessary, request assistance from the authorised personnel or from an authorised Service Center.*
- *If the machine*
 - *does not work properly*
 - *is damaged*
 - *has water or foam leaks*
 - *has been left outdoors exposed to bad weather conditions*
 - *is wet or has been dropped into water**turn it off immediately and contact VIPER Service Center or a qualified technician.*
- *If parts must be replaced, require ORIGINAL spare parts from an Authorised Dealer or Retailer.*
- *To ensure machine proper and safe operation, the scheduled maintenance shown in the relevant chapter of this Manual, must be performed by the authorised personnel or by an authorised Service Center.*
- *If foam or liquid escapes from the appliance, switch off immediately.*
- *Regularly clean the water level limiting device in accordance with instructions and examine it for signs of damage.*
- *Carefully read all the instructions before performing any maintenance/repair procedure.*
- *Do not wash the machine with direct or pressurized water jets, or with corrosive substances.*
- *WARNING only use the accessory provide with the appliance, The use of other non original accessory may impair safety.*
- *The machine must be disposed of properly, because of the presence of toxic-harmful materials (electrical components, etc.), which are subject to standards that require disposal in special centres (see Scrapping chapter).*

MACHINE DESCRIPTION

MACHINE STRUCTURE (GV25-EU GV35-EU)

- | | |
|---------------|------------------|
| 1. Handle | 6. Caster |
| 2. Cover | 7. Mounting base |
| 3. Mains cord | 8. Intake |
| 4. Catch | 9. On/off switch |
| 5. Tank | |

MACHINE STRUCTURE (GV702-EU)

- | | |
|--------------------|----------------|
| 1. Carrying handle | 9. Castor |
| 2. On/off switch | 10. Wheel |
| 3. Top cover | 11. Support |
| 4. Tank | 12. Clamp |
| 5. Intake | 13. Catch |
| 6. Outlet | 14. Handle |
| 7. Handle lift | 15. Mains cord |
| 8. Mounting base | 16. Head cover |



GV25-EU、GV35-EU



GV702-EU

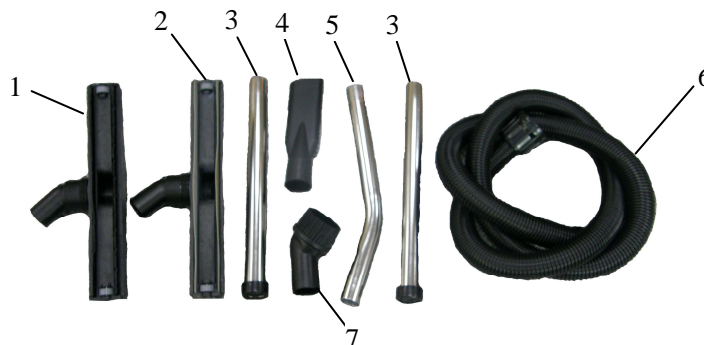
STANDARD ACCESSORY SET (GV25-EU GV35-EU)

- 1. Wet pick-up tool (300mm)
- 2. Crevice tool
- 3. Combination tool
- 4. Tube
- 5. Hose
- 6. Upholstery tool
- 7. Dusting tool



STANDARD ACCESSORY SET (GV702-EU)

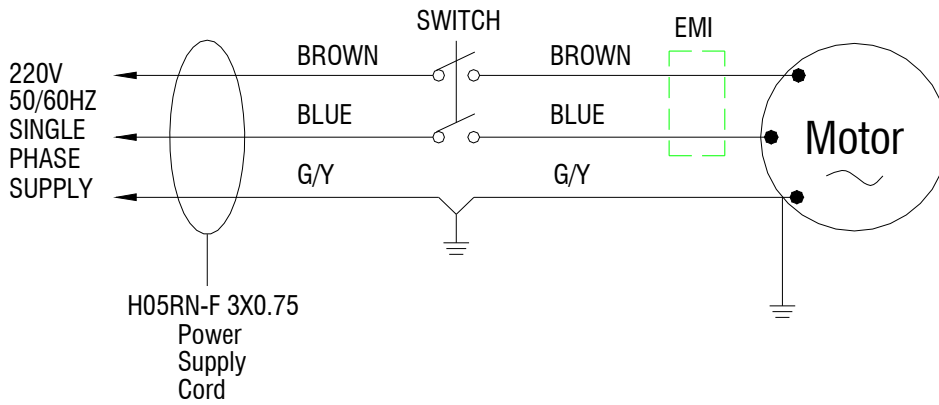
- 1. Combination tool
- 2. Upholstery tool
- 3. Dusting tool
- 4. Crevice tool
- 5. Tube
- 6. Paper bag
- 7. Filter basket with cotton cloth
- 8. Hose
- 9. Filter



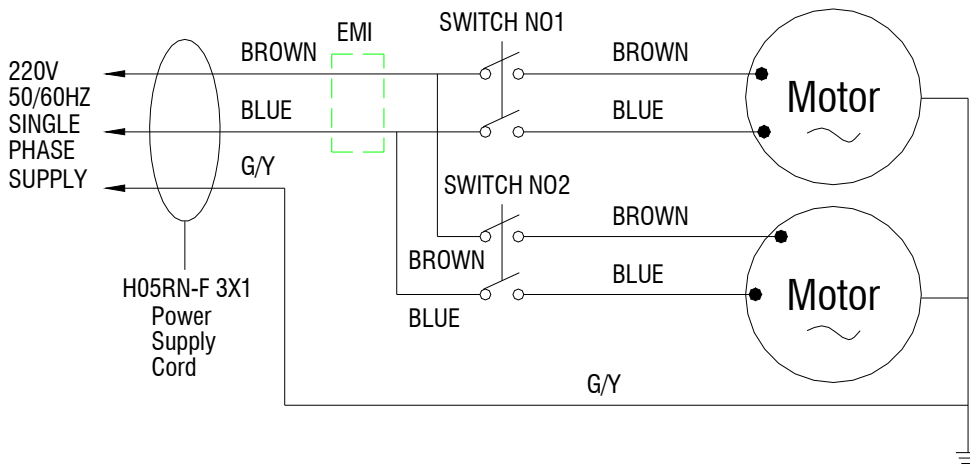
TECHNICAL DATA

Model	GV25-EU	GV35-EU	GV702-EU
Voltage	220 V-240V	220 V-240V	220 V-240V
Power	1100W	1100W	2200W
Current	5 A	5 A	10 A
Frequency	50-60Hz	50-60Hz	50-60Hz
Capacitor	25L	35L	70L
Vacuum	2032mmH ₂ O	2032mmH ₂ O	2032mmH ₂ O
Flow rate	3398L/Min	3398L/Min	6796L/Min
Sound pressure level at workstation	65 dB(A)	65 dB(A)	65 dB(A)
Weight	12kg	13kg	26.3kg
Length of Power cord	10m	10m	10m

WIRING DIAGRAM FOR GV25-EU GV35-EU

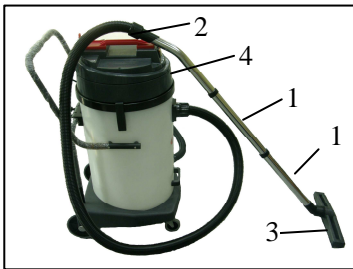


WIRING DIAGRAM FOR GV702-EU



OPERATION OF VACUUM CLEANER

BASIC OPERATION



1. Check that the electrical switch is switched off,
2. Then connect the suction hose (1) into the suction inlet (2) at the machine by pushing the hose forward until it is sliding in place at the inlet (to release the hose from machine just twist and pull out the hose).
3. Then connect the tubes (1) with the hose handle (2), twist the tubes in order to ensure that they are properly fitted.
4. Attach suitable nozzle (3) to the tube (1), Choose nozzle depending on what type of material that is to be picked-up.
5. Connect the plug into a proper electrical outlet
6. Put the electrical switch (4) into position "I" in order to start the motor. (GV702 has two motors/fan units and two electrical switches –one switch for each motor).

Dry Operation

The use of a cloth filter bag and a dust bag will improve levels of filtration and is recommended. Always ensure that the container is emptied of any liquid before using for dry pick-up and that the cloth filter is in a clean and dry condition.

Empty the tank when you notice that the performance is reducing or after dry pick-up.



1. Switch off the machine, Release the latches (1) by pulling them outwards so that the motor top (2) is released, and remove the motor top (2).
2. Shake the filter (3) in order to remove debris. This should be done while the hose is still connected to avoid dust exiting from the open dirt container connection. After shaking the filter, wait a few moments for the dust to settle. Remove filter (3) from machine and empty container (4). If the filter's surface appears to be heavily soiled, it is advisable to brush the filter material clean with an ordinary soft household brush. This ensures continued peak performance.
3. Having emptied container (4), replace filter (3) and the motor top (2). Make sure that the switch/switches is located in direction towards the suction inlet. You are now ready to start again.

Wet pick up

The float valve assembly must be used at all times for wet pick-up that shuts off the airflow through the machine when the maximum liquid level is reached.

Always ensure that the container is emptied of any dry dust before using the machine for wet pick-up.

Always be sure to use a wet pick-up nozzle with rubber blades.

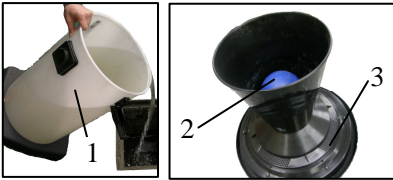
During wet pick-up operation the floor is left almost entirely dry.

When there is no longer liquid to be collected or the machine is full, switch off the power head, unplug the vacuum cleaner, empty the container.

Emptying GV25-EU GV35-EU

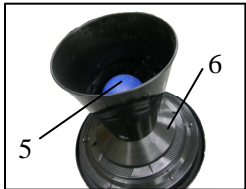
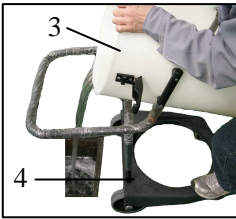
1. Release the latches (1) by pulling the lower parts outwards so that the motor top (2) is released, Remove the motor top (2).
2. Disconnect the hose (3) from the inlet (4) by screwing the hose outwards.





3. Empty by tilting the container (1) backwards and pour the liquids into a floor drain or similar.
4. Wipe float valve (2), filter (3) and the motor top with a damp cloth before the motor top is reinstalled to the container.
5. Replace the float valve assembly and power head. Secure with the latches.

Emptying GV702-EU



1. Drain hose: This mode has a draining hose (1) that easy and comfortable drain the container from liquids, Detach the drain hose (1) from the bracket (2) by pulling hose backwards from the cleaner. Place the drain hose end near a floor drain and then remove the plug at hose end. The natural pressure will then drain the liquids from the container.
2. Emptying from the container: Pull the lower parts of the latches outwards and release the motor top. Remove the motor top.
3. The suction hose can be attached during emptying from the container (3). Grasp with on hand at the handle at the lower part of the container. To avoid movement of the trolley-place, one foot at the base part (4) of the trolley. Then tilt the container backwards and pour the liquids into a floor drain or similar.
4. Wipe float valve (5), filter (6) and the motor top with a damp cloth before the motor top is reinstalled to the container.
5. Replace the motor top. Secure with the latches.

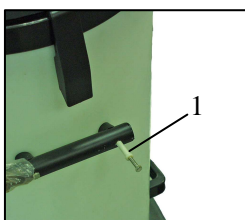
MAINTENANCE

To keep the machine performing well for many years, Please follow the following maintenance procedures.

*** Always confirm that the machine is unplugged prior to performing any maintenance or repairs.**

- 1] Make sure that the cable is not cut or damaged. (If it is, contact the nearest authorized service center for replacement)
- 2] Thoroughly clean the tank, do not let it sit for a long time with dust or dirty water.
- 3] The cloth dust bag can be washed and must be completely dry before use.
- 3] Lubricate casters with a water resistant lubricant every month.
- 4] Check machine for loose or missing nuts and bolts and replace as necessary.
- 5] Check the filter, and clean it after each use.
- 6] The motor is built for maintenance-free operation and does not need any particular service. The carbon brushes may need to be replaced due to normal wear and tear caused by using the vacuum cleaner over time, and they can be replaced only by an authorized VIPER distributor.

ATTENTION



1. To avoid the risk of electrical shock, always insure the four insulation bush (1) are installed.

STORAGE

- 1] Unplug machine from power source.
- 2] Store in upright position in a dry area.



Do not dispose of electrical appliances as unsorted municipal waste, use separate collection facilities.

Free Manuals Download Website

<http://myh66.com>

<http://usermanuals.us>

<http://www.somanuals.com>

<http://www.4manuals.cc>

<http://www.manual-lib.com>

<http://www.404manual.com>

<http://www.luxmanual.com>

<http://aubethermostatmanual.com>

Golf course search by state

<http://golfingnear.com>

Email search by domain

<http://emailbydomain.com>

Auto manuals search

<http://auto.somanuals.com>

TV manuals search

<http://tv.somanuals.com>