

Assembly Guide



STEP 4 AUTO CALIBRATION

Once the treadmill is plugged in, you need to perform an Auto-Calibration to assure maximum performance.

MODELS T9500HRT:

DO NOT STAND ON THE BELT WHEN PERFORMING THE AUTO-CALIBRATION

You need to access User Engineering Mode to run the Auto-Calibration. With the Safety Key in place, please hold down **SPEED DOWN** and **SELECT** for 5 seconds. When in the User mode, "USER" displays in the center window. To access the data press the **ELEVATION** keys until "Auto" appears in the center window. Press Start to select this function.

To begin Auto-Calibration, press **START**. The treadmill will run through minimum and maximum Speed and maximum Elevation. This will take 3.5 minutes. Let the treadmill perform this complete function before exiting the Engineering Mode.

Elevation A/D or Elevation in % appears in the left window. PWM value or Speed appears in the right window. "End" will appear in the center window when the Auto-Calibration is complete. When Auto-Calibration is complete, it will take the treadmill about 30 seconds to go to 0% Elevation and return to the start-up screen with "P1" showing in the Function window.

MODELS T9700HRT:

DO NOT STAND ON THE BELT WHEN PERFORMING THE AUTO-CALIBRATION

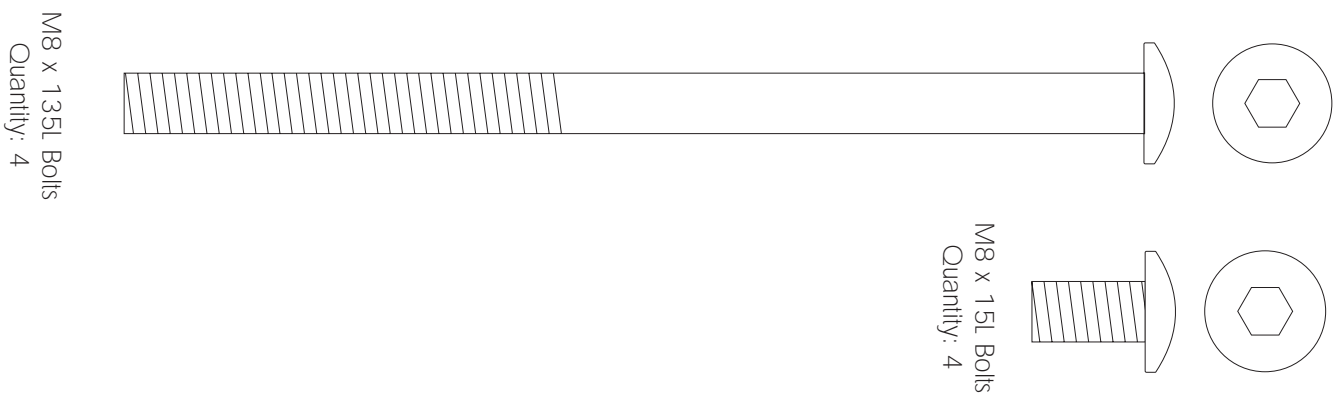
You need to access User Engineering Mode to run the Auto-Calibration. With the Safety Key in place, please hold down **SPEED DOWN** and **SELECT** for 5 seconds. When in the User mode, "User Mode" appears in the alphanumeric window. To access the data press the **ELEVATION** keys until "Auto-Cal" appears. Press Start to select this function.

To begin Auto-Calibration, press **START**. The treadmill will run through minimum and maximum Speed and maximum Elevation. This will take 3.5 minutes. Let the treadmill perform this complete function before exiting the Engineering Mode.

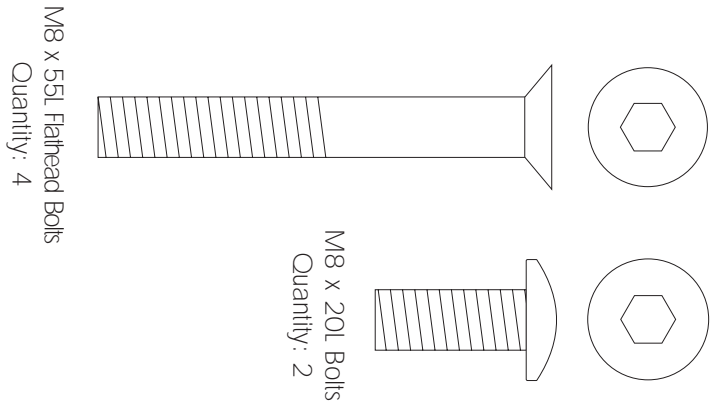
Elevation A/D or Elevation in % appears in the left window. PWM value or Speed appears in the right window. "Cal Passed" will appear in the alphanumeric window when the Auto-Calibration is complete. The treadmill will come to a complete stop and return to the start-up screen in the alphanumeric window.

HARDWARE INCLUDED

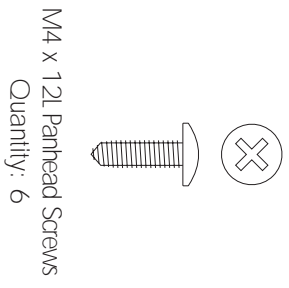
BLUE BAG



ORANGE BAG

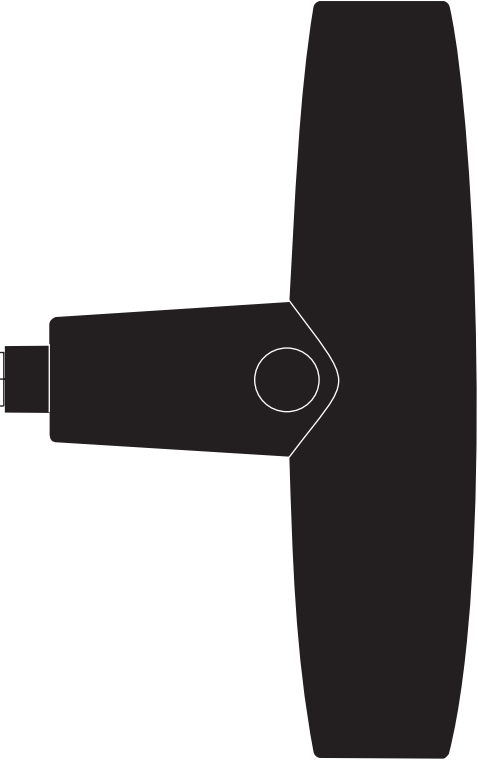


YELLOW BAG

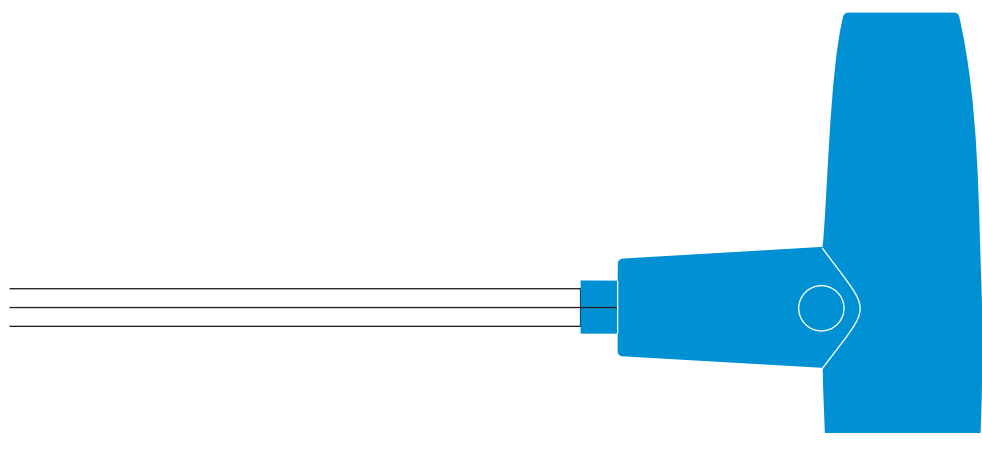


TOOLS, HARDWARE, & PARTS INCLUDED

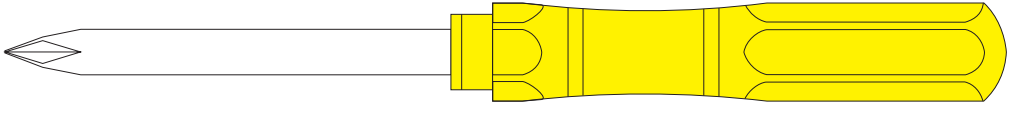
8^{mm} Allen Wrench



5mm I-Shaped Wrench



Screwdriver



PARTS BOX

Water Bottle, Qty: 1
Heart Rate Chest Strap, Qty: 1
Color-coded Hardware Bags
Owner's Guide
Assembly Guide
Warranty Card

Assembly Guide

T9500HRT AND T9700HRT PLATFORM TREADMILLS

To avoid possible damage to this Platform Treadmill, please follow these assembly steps in the correct order. Before proceeding though, find your new Platform Treadmill's serial number, located on the underside of the main frame, and enter here:

Be sure to read your Owner's Guide before using your new Platform Treadmill.

NOTE: It is recommended that you apply grease to the threads of each bolt as you assemble your Platform Treadmill, to prevent loosening and noise. Also, during each assembly step, ensure that ALL nuts and bolts are in place and partially threaded in before completely tightening any ONE bolt.

STEP 1

ORANGE BAG

- Slide the rubber covers on to the left & right console supports, making sure that the lower cutout is facing inward.

T9700HRT: Slide the data cable down the right console support using the white wire tie as a guide. Make sure that the data (1 large ribbon cable) goes through the large hole in the lower part of the console upright.

T9500HRT: Slide the data cables down the right console support using the white wire tie as a guide. Make sure that the data cables (one small grey & one large black telephone-style cable) go through the large hole in the lower part of the console upright.

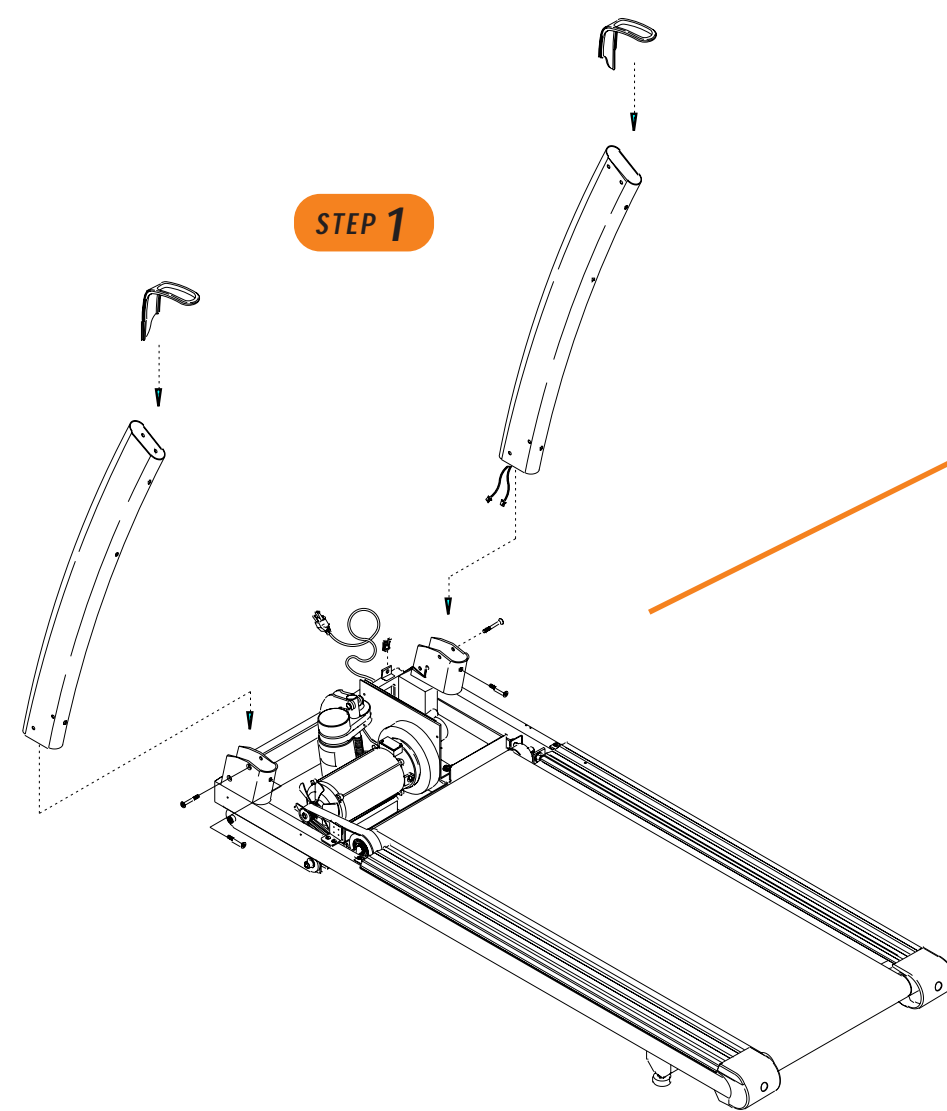
- Insert the left console support into the console support bracket and secure with two bolts (M8 x 55L Flathead) in the side of the console support bracket.

- Insert one bolt (M8 x 20L) in the rear of the console support bracket.

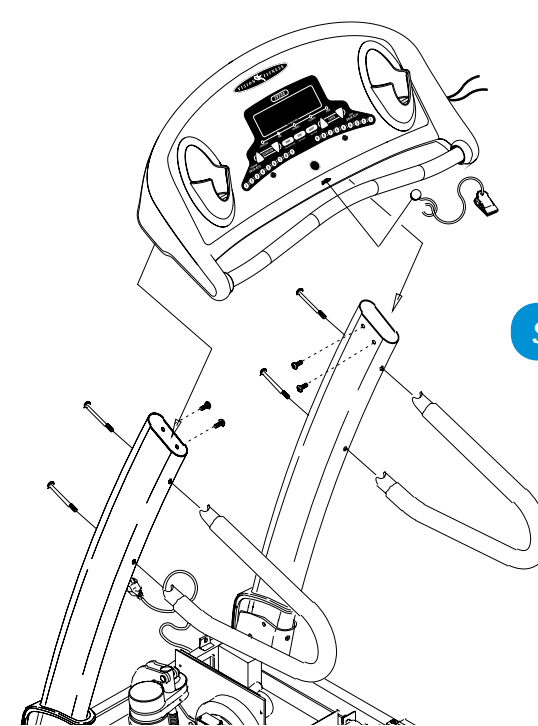
- Tighten all three bolts with the blue-handled 5mm Allen wrench.

- Repeat this on the right side.

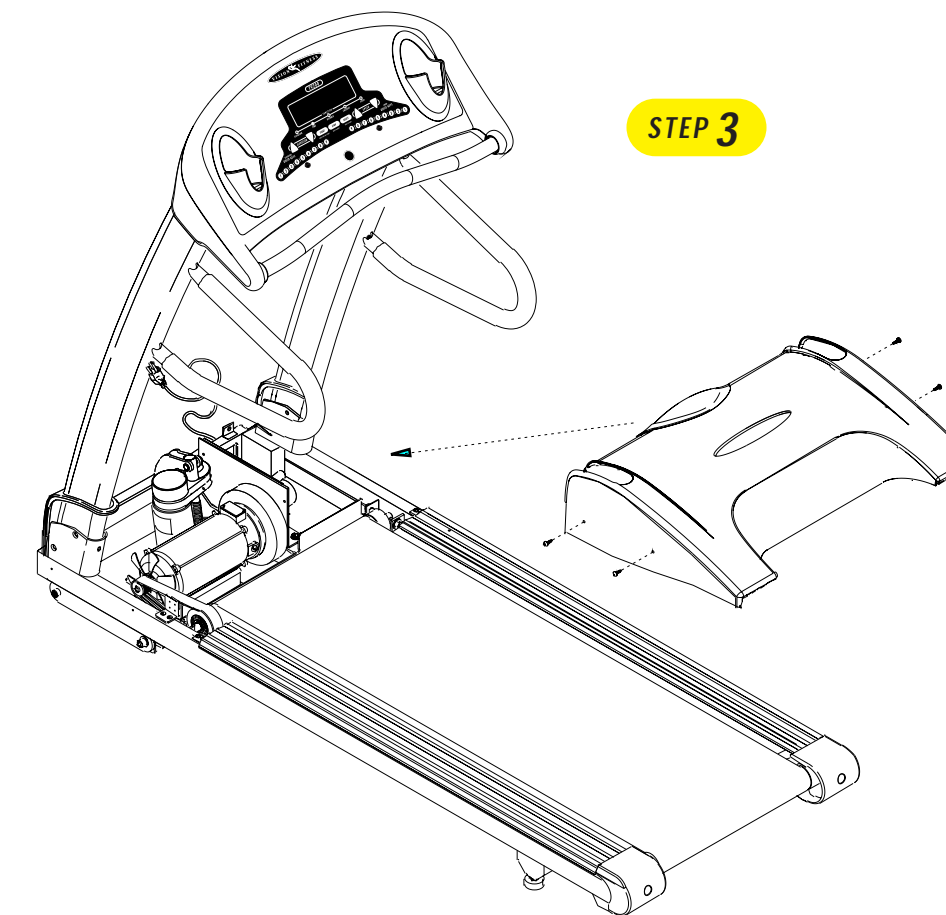
NOTE: There are no data cables on the left side.



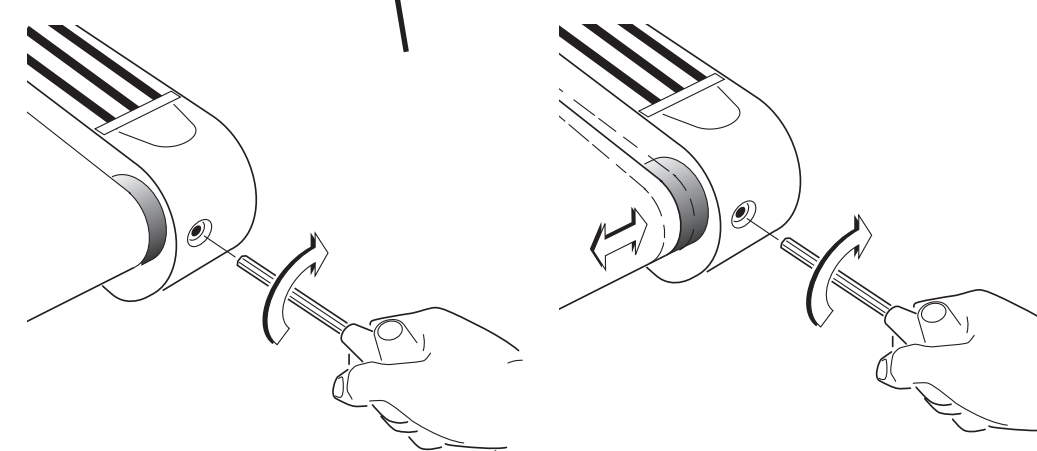
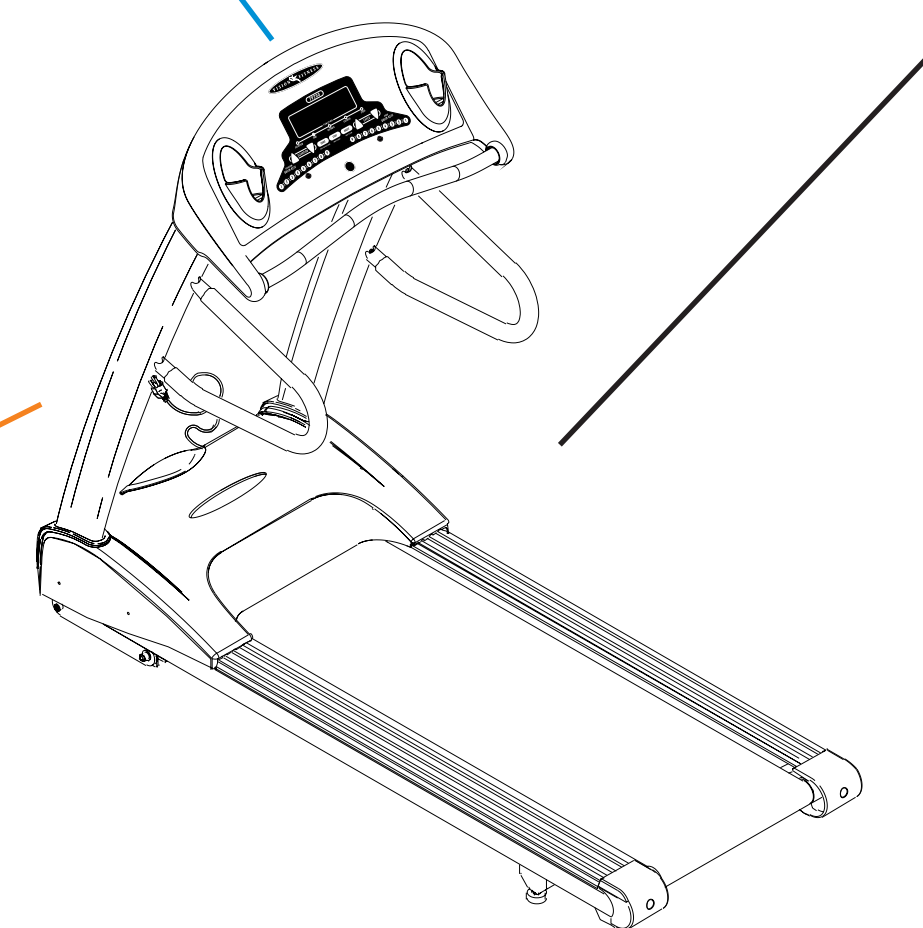
STEP 1



STEP 2



STEP 3



STEP 5

STEP 2

BLUE BAG

- Mount the console to the console mast using four bolts (M8 x 15L) and tighten with the 5mm Allen wrench.

NOTE: Push all extra data cable into the console mast. Make sure not to pinch or cut the data cable.

- Mount the right-hand side mount handlebar to the console mast using two bolts (M8 x 135L). Repeat this on the left-hand side.

STEP 3

DATA CABLES

T9500HRT: Plug in the small data cable into the small plug connection on the lower control board. Plug in the large data cable into the large plug connection on the lower control board.

T9700HRT: Plug the large 20-ribbon cable into the 20-pin connection on the lower control board. Slide down the rubber covers on the left & right console supports.

- Install the motor cover making sure that the rubber covers are inserted into the motor cover. Secure the motor cover using the six (M4 x 12L) screws (see Yellow bag).

STEP 4

AUTO CALIBRATION

Please refer to back cover for this procedure, then return to Step 5.

STEP 5

BELT TENSION

- If the running belt slips when used, use the supplied 8^{MM} Allen wrench to turn the left and right tension bolts clockwise 1/4-turn at a time until the belt no longer slips.

- If the running belt is too far to the right side, use the supplied 8^{MM} Allen wrench to turn the right tension bolt clockwise 1/4-turn at a time until the belt remains centered during use. If the running belt is too far to the left side, turn the left tension bolt clockwise 1/4-turn at a time until the belt remains centered during use.

Free Manuals Download Website

<http://myh66.com>

<http://usermanuals.us>

<http://www.somanuals.com>

<http://www.4manuals.cc>

<http://www.manual-lib.com>

<http://www.404manual.com>

<http://www.luxmanual.com>

<http://aubethermostatmanual.com>

Golf course search by state

<http://golfingnear.com>

Email search by domain

<http://emailbydomain.com>

Auto manuals search

<http://auto.somanuals.com>

TV manuals search

<http://tv.somanuals.com>