



Assembly Guide

**T9200, T9300, T9400HRT, T9500HRT,
T9600HRT, T9700HRT, & T9700S
PLATFORM TREADMILLS**



T 9 2 0 0

T 9 4 0 0 H R T

T 9 6 0 0 H R T

T 9 3 0 0

T 9 5 0 0 H R T

T 9 7 0 0 H R T

T 9 7 0 0 S

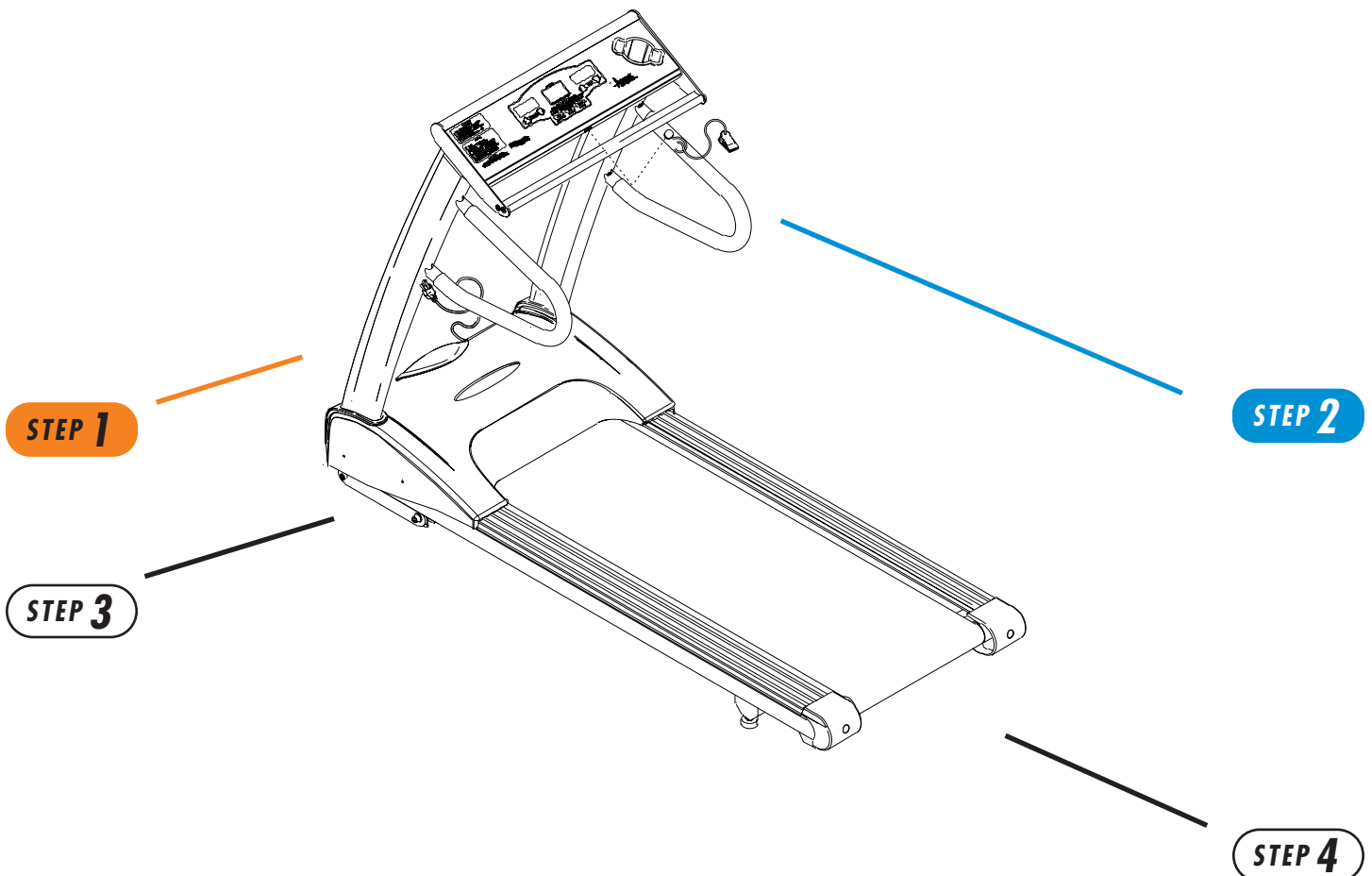
platform treadmills

To avoid possible damage to this Platform Treadmill, please follow these assembly steps in the correct order. Before proceeding though, find your new Platform Treadmill's serial number, located on the underside of the main frame, and enter here:

Refer to this number when calling for service, and also enter this serial number on your Warranty Card and in your own records. Be sure to read your Owner's Guide before using your new Platform Treadmill.

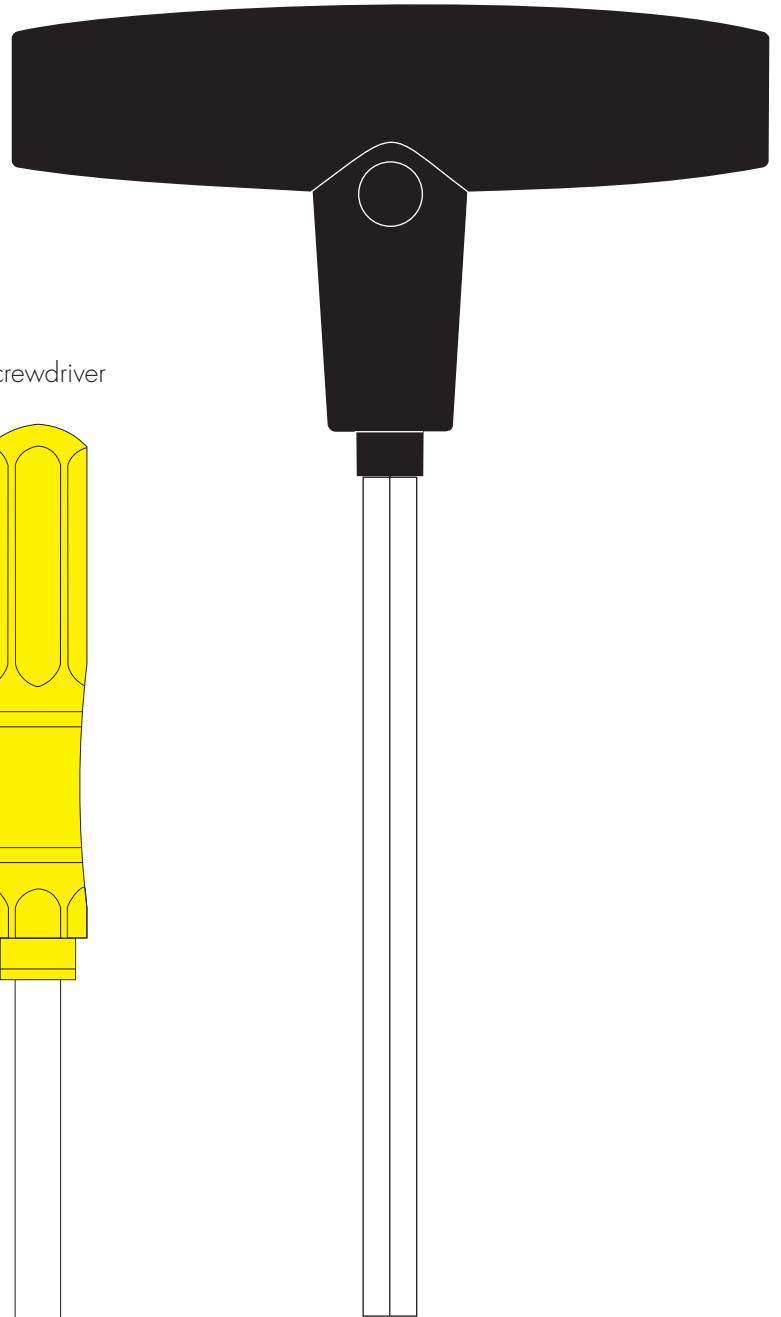
If any parts, hardware or tools are missing, please call 1.800.335.4348, Extension 12

NOTE: It is recommended that you apply grease to the threads of each bolt as you assemble your Platform Treadmill, to prevent loosening and noise. Also, during each assembly step, ensure that ALL nuts and bolts are in place and partially threaded in before completely tightening any ONE bolt.

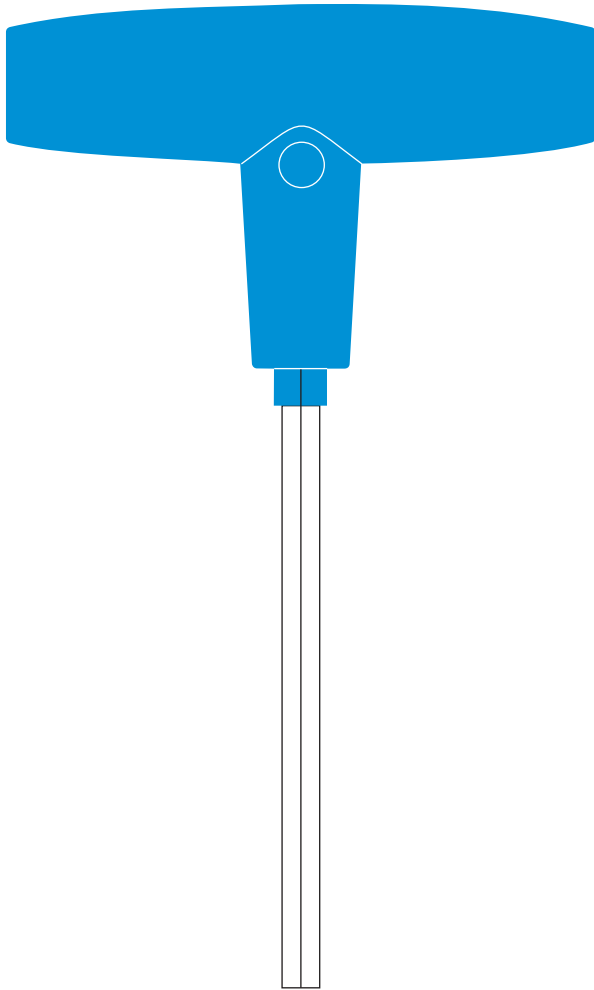


TOOLS & PARTS INCLUDED

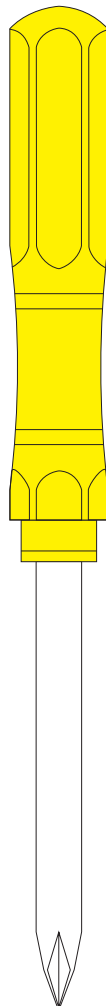
8^{mm} Allen Wrench



5^{mm} Allen Wrench



Screwdriver

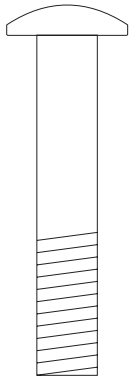
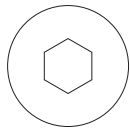


PARTS BOX

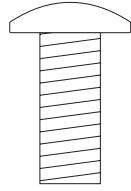
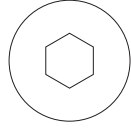
Water Bottle, Qty: 1
Optional Heart Rate Chest Strap, Qty: 1
(T9400HRT, T9500HRT, T9600HRT,
T9700HRT, & T9700S only)
Color-coded Hardware Bags
Owner's Guide
Assembly Guide
Warranty Card

HARDWARE INCLUDED

ORANGE BAG

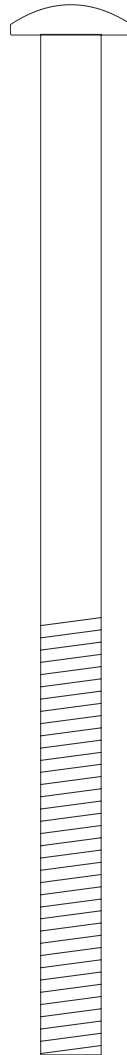
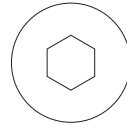


M8 x 50L Bolts
Quantity: 4

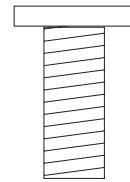
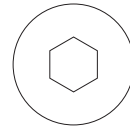


M8 x 20L Bolts
Quantity: 2

BLUE BAG



M8 x 135L Bolts
Quantity: 4



M8 x 20L Flathead Bolts
Quantity: 4

STEP 1**ORANGE BAG**

- Slide the rubber covers on to the left & right console supports, making sure that the lower cutout is facing inward.

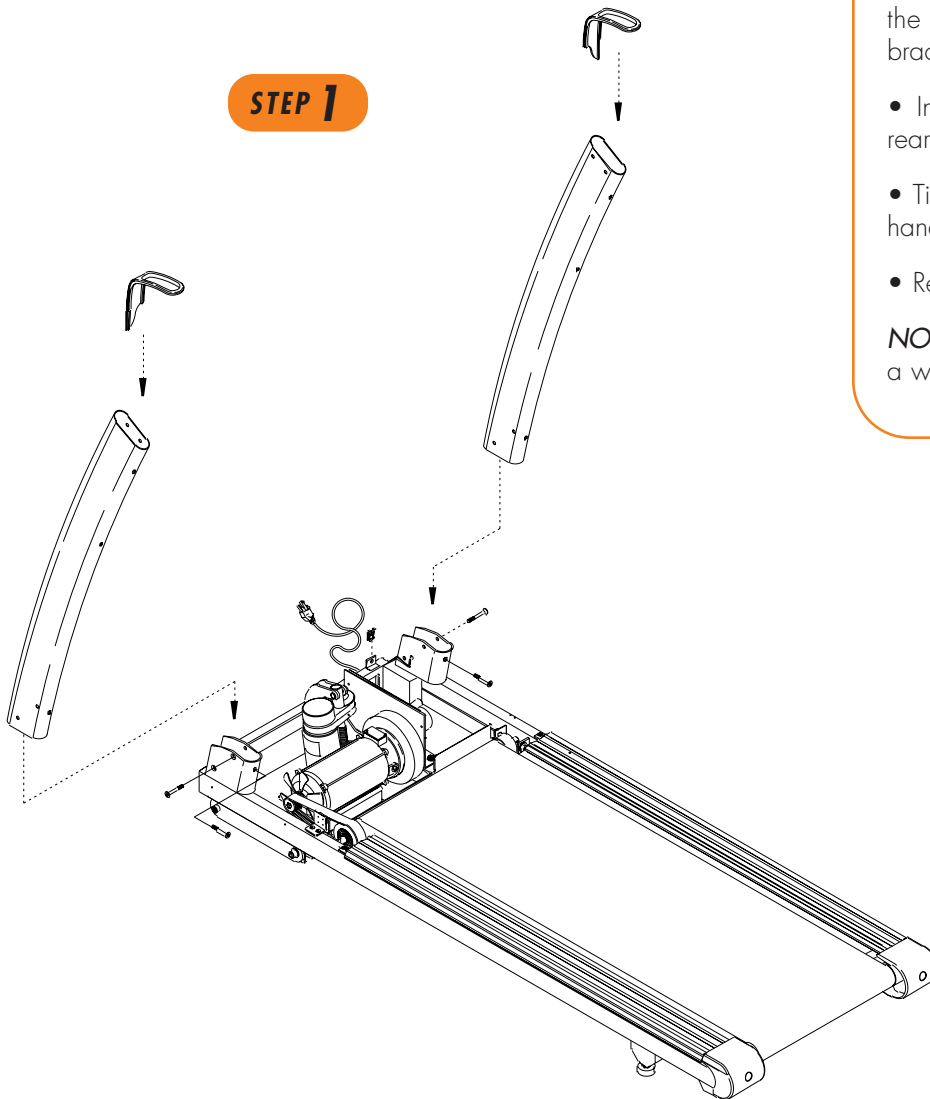
- Insert one of the console supports into the console support bracket and secure with two bolts (M8 x 20L) in the side of the console support bracket.

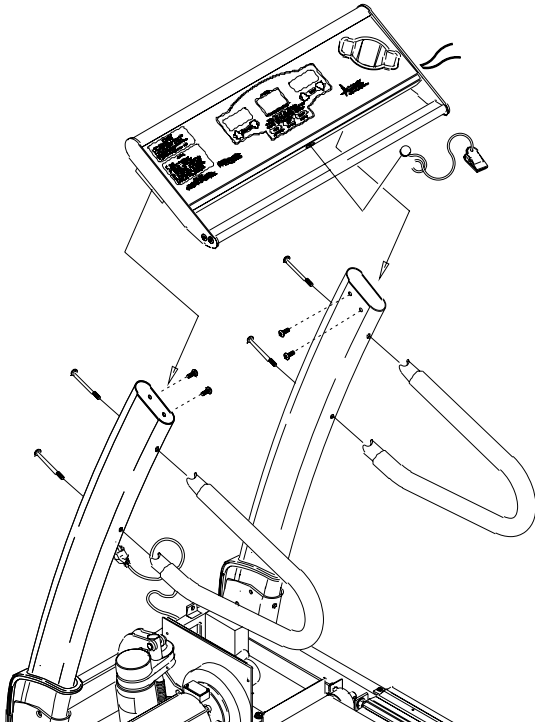
- Insert one bolt (M8 x 20L) in the rear of the console support bracket.

- Tighten all three bolts with the blue-handled 5^{MM} Allen wrench.

- Repeat this on the opposite side.

NOTE: The right console support has a white wire tie attached to it.





STEP 2

BLUE BAG

MODELS T9700HRT & T9700S: Slide the data cables down the right console support using the white wire tie as a guide. Make sure that the data cable (one large ribbon cable) goes through the large hole in the lower part of the console upright.

MODELS T9600HRT & T9500HRT: Slide the data cables down the right console support using the white wire tie as a guide. Make sure that the data cables (1 small & 1 large telephone style cable) go through the large hole in the lower part of the console upright.

MODELS T9400HRT, T9300 & T9200: Slide the data cables down the right console support using the white wire tie as a guide. Make sure that the data cables (1 small & 1 large telephone style cable) come out the bottom of the right console support.

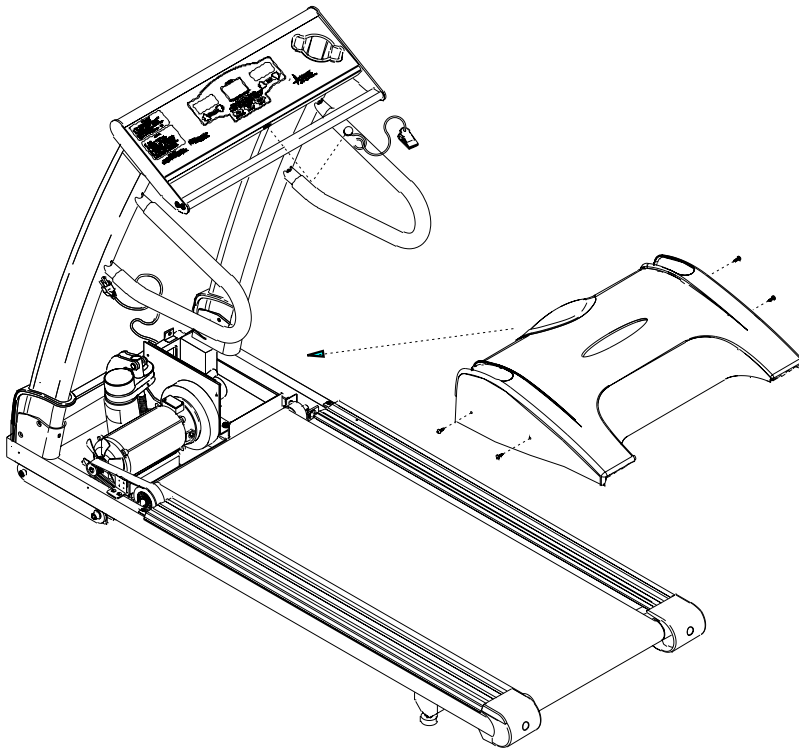
- Mount the console to the console mast using four bolts (M8 X 20L) and tighten with the blue-handled 5^{MM} Allen wrench.

NOTE: Push all extra data cable into the console mast. Make sure not to pinch or cut the data cable.

- Mount the right-hand side mount handlebar to the console mast using two bolts (M8 x 135L). Repeat this on the left-hand side.

STEP 2

STEP 3



STEP 3

DATA CABLES

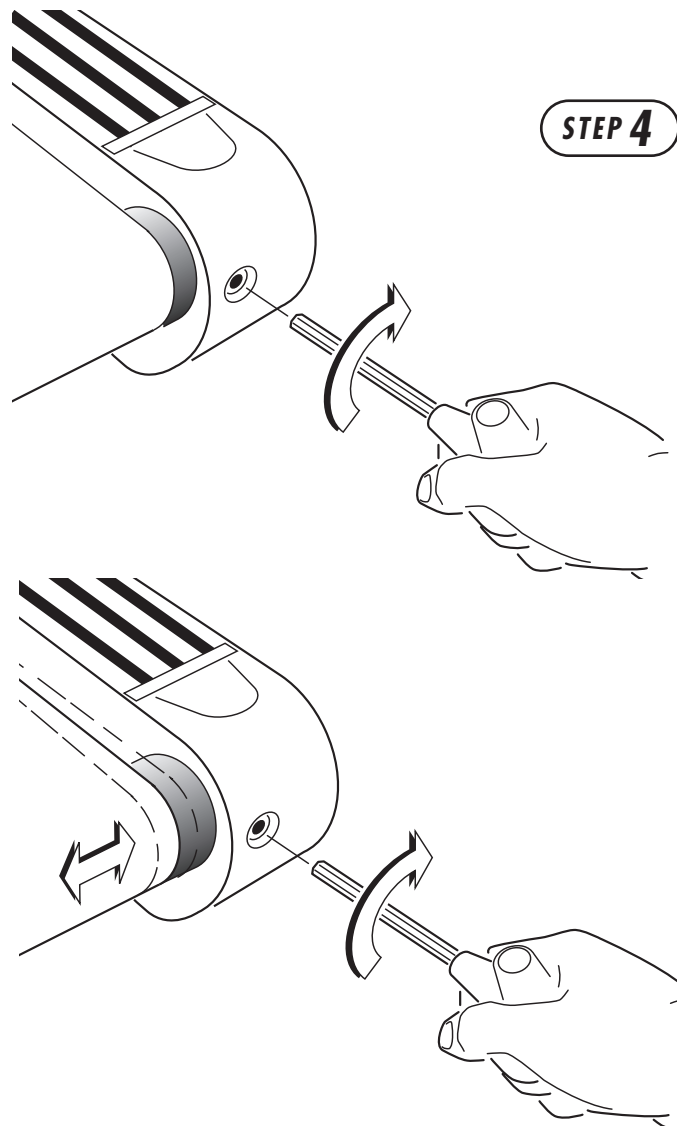
MODELS T9200, T9300, T9400HRT, T9500HRT, T9600HRT: Plug in the small data cable into the small plug connection on the lower control board. Plug in the large data cable into the large plug connection on the lower control board.

MODELS T9700HRT & T9700S: Plug the large 20 ribbon cable into the 20 pin connection on the lower control board. Slide down the rubber covers on the left & right console supports.

- Install the motor cover making sure that the rubber covers are inserted into the motor cover. Secure the motor cover using the six (M5 x 10L) screws.

STEP 4**BELT TENSION**

- If the running belt slips when used, use the supplied 8^{MM} Allen wrench to turn the left and right tension bolts clockwise 1/4-turn at a time until the belt no longer slips.
- If the running belt is too far to the *right* side, use the supplied 8^{MM} Allen wrench to turn the *right* tension bolt *clockwise* 1/4-turn at a time until the belt remains centered during use. If the running belt is too far to the *left* side, turn the *left* tension bolt clockwise 1/4-turn at a time until the belt remains centered during use.

**STEP 4**

500 South CP Avenue • P.O. Box 280 • Lake Mills, WI 53551
toll free 1.800.335.4348 • phone 1.920.648.4090 • fax 1.920.648.3373
www.visionfitness.com

©2001 Vision Fitness. All Rights Reserved. 11.01 Part #Z92TM49-AG18.12PRD
AG18.12PRD
REV2

Free Manuals Download Website

<http://myh66.com>

<http://usermanuals.us>

<http://www.somanuals.com>

<http://www.4manuals.cc>

<http://www.manual-lib.com>

<http://www.404manual.com>

<http://www.luxmanual.com>

<http://aubethermostatmanual.com>

Golf course search by state

<http://golfingnear.com>

Email search by domain

<http://emailbydomain.com>

Auto manuals search

<http://auto.somanuals.com>

TV manuals search

<http://tv.somanuals.com>