



THE ADVANCED DEPENDABLE BLENDER

LA LICUADORA AVANZADA FIABLE

The Drink Machine Advance is optimized for quiet operation and outstanding performance.

Pre-set programs eliminate guesswork, and a pulse switch easily refreshes any drink.

From fruit smoothies to thick shakes, the Drink Machine Advance blends them perfectly.

La Drink Machine Advance está optimizada para una operación silenciosa y un rendimiento superior.

Los programas preseleccionados eliminan el trabajo a ciegas, y el control de pulso refresca cualquier bebida en cualquier momento.

Desde los licuados de frutas hasta los batidos espesos, la Drink Machine Advance los deja perfectamente licuados.

DRINK MACHINE ADVANCE

DRINK MACHINE ADVANCE: THE ADVANCED DEPENDABLE BLENDER

DRINK MACHINE ADVANCE: LA LICUADORA AVANZADA FIABLE

6 OPTIMIZED PROGRAMS WITH AUTOMATIC SHUT-OFF

6 PROGRAMAS OPTIMIZADOS CON APAGADO AUTOMÁTICO



- Customers return for consistent, smooth beverages
- No need to monitor blending – turn it on and walk away!
- Los clientes regresan para las bebidas perfectamente cremosas y suaves
- No es necesario vigilar la mezcla – ¡enciéndala y váyase!

INNOVATIVE 32 OZ. XP CONTAINER & PATENTED BLADE

VASO NOVADOSO DE 32 ONZAS CON CUCHILLAS PATENTADAS



- Homogenize extra-thick ingredients quickly and easily
- Serve creamy, frozen beverages without cavitation or ice chunks
- Homogeniza ingredientes muy espesos fácilmente con rapidez
- Ofrezca bebidas suaves y cremosas sin pedazos de hielo

PULSE CONTROL

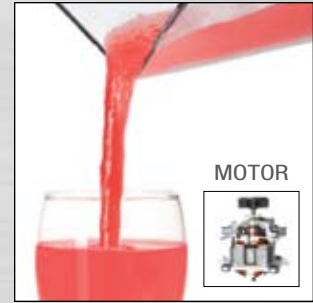
CONTROL DE PULSO



- Quickly refreshes drinks for efficiency
- Allows for multiple customers to be served a smooth, blended drink
- Refresca bebidas rápidamente con eficiencia
- Le permite ofrecer bebidas suaves y cremosas a clientes múltiples

ADVANCED TECHNOLOGY MOTOR

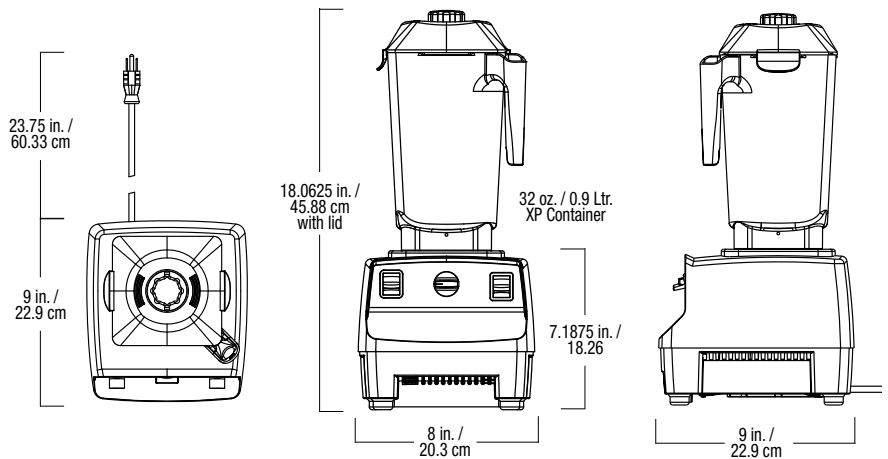
MOTOR DE TECNOLOGÍA AVANZADA



- Designed to eliminate overheating when using extra-thick ingredients
- Enhanced reliability during peak hours of operation
- Diseñado para eliminar el sobrecalentamiento cuando licua ingredientes muy espesos
- Sumamente fiable durante las horas de mayor actividad

SPECIFICATIONS FOR #5062

Motor:..... ≈ 2 peak HP
 Electrical:..... 120V, 50/60 Hz, 11.5 Amps
 Pack: Includes 1 Drink Machine Advance with 32 oz. / 0.9 Ltr. high-impact, clear / stackable XP Container and Blade
 Net Weight:..... 13 lbs. / 5.9 kg
 Product Dimensions:.. 18.0625 in. / 45.88 cm HIGH
 8 in. / 20.3 cm WIDE
 9 in. / 22.9 cm DEEP



WARRANTY: In the United States and Canada, the Drink Machine Advance is backed by a three-year limited warranty on motor base parts and a one-year limited warranty on parts and labor on the full unit. See the Owner's Manual for details. For more information regarding this warranty, please contact Customer Service at 440-235-0214. If purchased outside the U.S. or Canada, please contact your authorized Vita-Mix Distributor.



For more information, contact your local foodservice distributor below.



VITA-MIX HAS THE PERFECT PRODUCT FOR YOUR BUSINESS.

www.vitamix.com/drinkmachine

USA, CANADA AND LATIN AMERICA:

Tel: 440-235-0214
800-4DRINK4

Fax: 440-235-9670

E-mail: foodservice@vitamix.com

ALL OTHER COUNTRIES:

Tel: +1.440.782.2450

Fax: +1.440.782.2220

E-mail: international@vitamix.com

Free Manuals Download Website

<http://myh66.com>

<http://usermanuals.us>

<http://www.somanuals.com>

<http://www.4manuals.cc>

<http://www.manual-lib.com>

<http://www.404manual.com>

<http://www.luxmanual.com>

<http://aubethermostatmanual.com>

Golf course search by state

<http://golfingnear.com>

Email search by domain

<http://emailbydomain.com>

Auto manuals search

<http://auto.somanuals.com>

TV manuals search

<http://tv.somanuals.com>