



Day/Night Vandal-Proof Network Dome Camera

FD611V/FD6121V



Product name:	Network Camera (FD6111V/FD6121V)
Release Date:	2005/08/15
Manual Revision:	1.00
Web site:	www.vivotek.com
Email:	technical@vivotek.com sales@vivotek.com
Made in Taiwan.	©Copyright 2000-2005. All rights reserved


Before You Use This Product

The use of surveillance devices may be prohibited in your country by law. The Network Camera is not only a high-performance web-ready camera but also can be part of a flexible surveillance system. It is the user's responsibility to ensure that the operation of such devices is legal before installing this unit for its intended use.

It is important to first verify that all contents received are complete according to the list in the "Package Contents" chapter. Take notice of the warnings in "Quick Installation Guide" before the Network Camera is installed, then carefully read and follow the instructions in the "Installation" chapter to avoid damages due to faulty assembly and installation. This also ensures the product is used properly as intended.

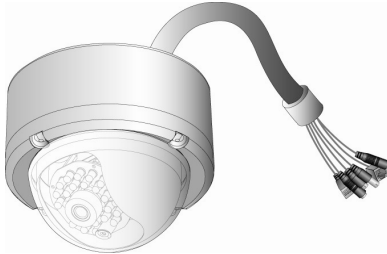
The Network Camera is a network device and its use should be straightforward for those who have basic network knowledge. The "Troubleshooting" chapter in the Appendix provides remedies to the most common errors in set up and configuration. You should consult this chapter first if you run into a system error.

The Network Camera is designed for various applications including video sharing, general security/surveillance, etc. The "How to Use" chapter suggests ways to best utilize the Network Camera and ensure proper operations. For the creative and professional developers, the "URL Commands of the Network Camera" chapter serves to be a helpful reference to customize existing homepages or integrating with the current web server.

For paragraphs preceded by  the reader should use caution to understand completely the warnings. Ignoring the warnings may result in serious hazards or injuries.

Package Contents

FD6111V/FD6121V



Software CD



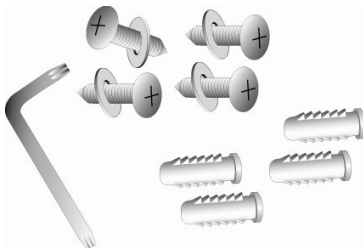
Power adapter



Quick installation guide



Screw Pack



Warranty card



Table of Contents

Before You Use This Product	2
Package Contents	3
Table of Contents.....	1
Installation	4
Hardware Installation	4
Ethernet Connection	4
Mount the Camera	5
Software Installation	9
Initial Access to the Network Camera	13
Installing Plug-in	13
Check Network Settings	14
Add Password to Prevent Unauthorized Access	14
How to Use	15
Authentication	15
Primary User's Capabilities	16
Main Screen with Camera View	16
The Configuration:	17
The camera view.....	17
Client Settings	18
Administrator's Capabilities	20
Fine-tuning for Best Performance	20
For Best Real-time Video Images.....	21
Only Quality Images Will Do	21
Somewhere Between Real-time and Clear Images	22
Select for Motion JPEG	22
Opening Accounts for New Users	23
Protect Network Camera by Passwords.....	23
More Flexible Options for Viewers	24
Build a Multimedia Web Attraction Site.....	24


Demo on Multiple Sites – Mid-scale Service.....	24
Product Demo for E-business – Large-scale Service	24
If the web space has FTP service.....	25
If the web space has no FTP service	26
Build a Security Application.....	28
Send Snapshots When Motion is Detected	29
Definitions in Configuration	31
System Parameters	32
User Group Administration	33
Edit User	35
Network Settings	36
General.....	36
HTTP	37
Streaming	37
DDNS & UPnP.....	39
Mail & FTP.....	41
SMTP.....	41
FTP	41
Video Codec Parameters	44
Image Settings	46
Camera Settings.....	47
Audio	48
Motion Detection.....	50
Application Setup	52
Weekly Schedule	52
Event Operation	52
Sequential Operation	53
Naming rule of snapshot file.....	54
Viewing System Log	56
Viewing System Parameters	56
Factory Default	56
Appendix	57
A. Troubleshooting	57

C. URL commands of Network Camera	61
Overview	61
Style convention.....	61
General CGI URL syntax and parameters	62
Get server parameter values	62
Set server parameter values	64
Available parameters on the server	65
Application page CGI command	75
Drive the digital output	78
Query status of the digital input	79
Query status of the digital output.....	80
Capture single snapshot	81
Account management.....	82
System logs.....	83
Configuration file	84
System Information	84
D. Technical Specifications.....	86
Electromagnetic Compatibility (EMC).....	6

Installation

Hardware Installation

Please verify that your product package contains all the accessories listed in the foregoing Package Contents. Depending on the user's application, an Ethernet cable may be needed. The Ethernet cable should meet the specs of UTP Category 5 and not exceed 100 meters in length.


 Connect the power adapter jack to the Network Camera before plugging in to the power socket. This will reduce the risk of accidental electric shock.

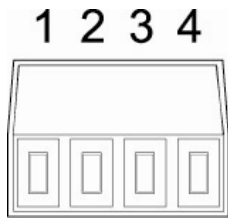
Upon powering up, the device runs through a self-test procedure and the LEDs will blink between green and red for a few times. If self-test passes, the green LED will shut off while the red LED is constantly on and the Network Camera will be on stand-by and ready for software installation. If self-test fails the red LED will blink several times. Refer to Appendix A for troubleshooting.

Ethernet Connection

Make sure the Ethernet is firmly connected to a switch hub; then, plug in the power adapter. If the LED turns out to be steady green after self-test, go to next paragraph "Software Installation".

The Network Camera provides a general I/O terminal block with one digital input and one relay switch for device control. Pin 3 and Pin 4 can be connected to an external sensor device and the state of voltage can be monitored from the initial state 'LOW'. The relay switches Pin 1 and Pin 2 can be used to turn on or off an external device.

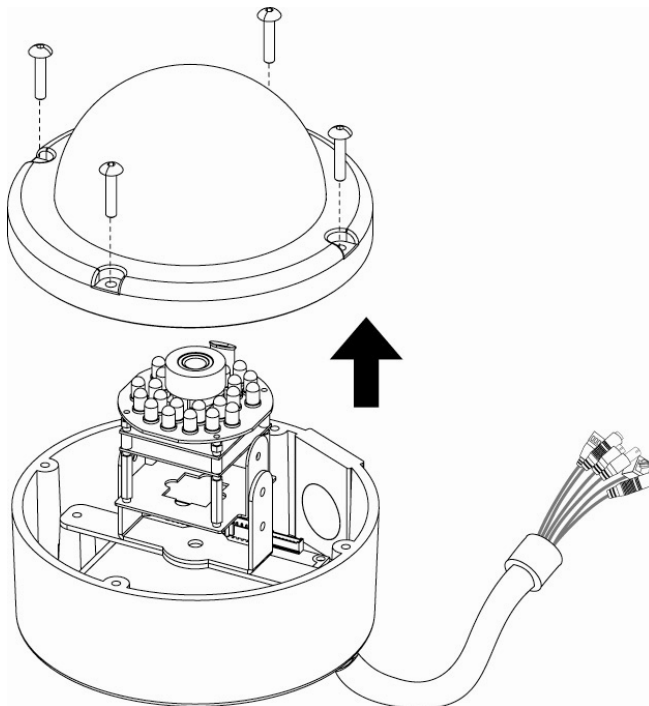
 Consult with the dealer of the peripherals for correct installation.



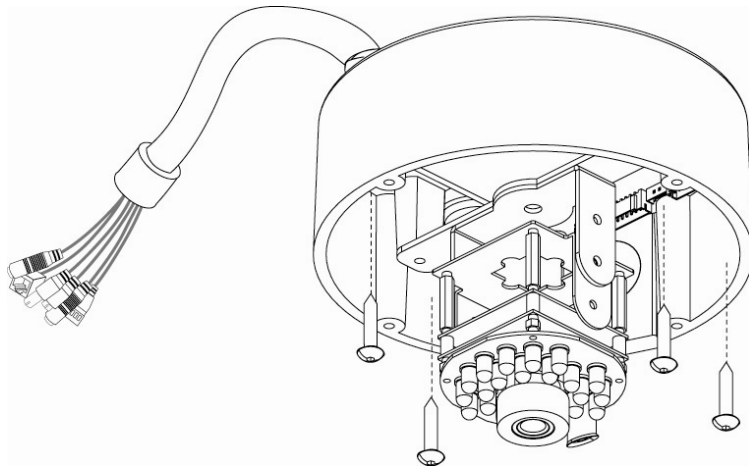
- | | | |
|---|-----------|---|
| 1 | SW_NOOPEN | OUTPUT (Max. 1A, 24VDC or 0.5A, 125VAC) |
| 2 | SW_COMMON | OUTPUT (open from SW_OPEN at initial state)
(close with SW_OPEN when set DO to ON) |
| 3 | DI+ | INPUT (Max. 50mA, 12VDC) |
| 4 | DI- | INPUT (Initial state of DI is low) |

Mount the Camera

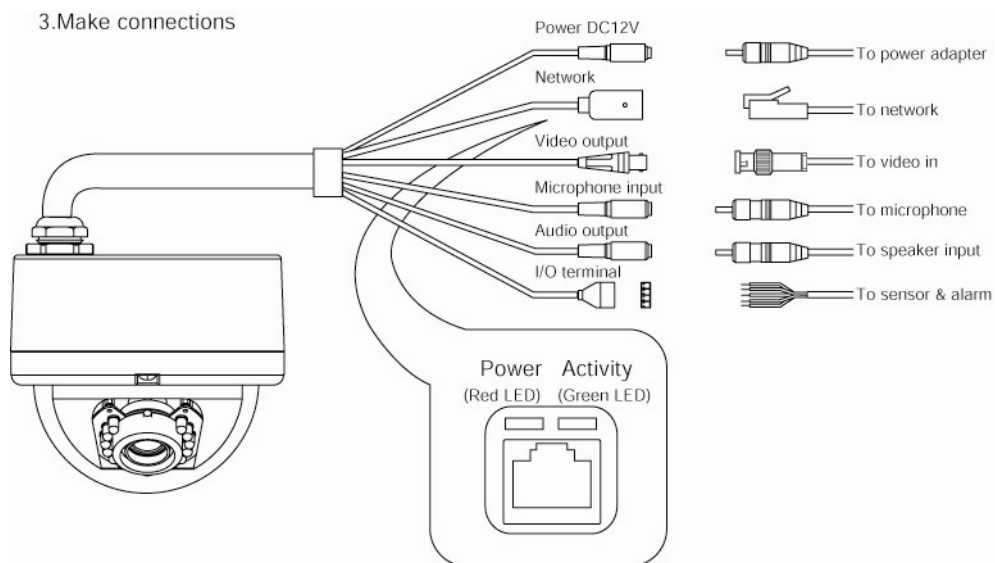
1. Use the supplied wrench to remove the dome cover



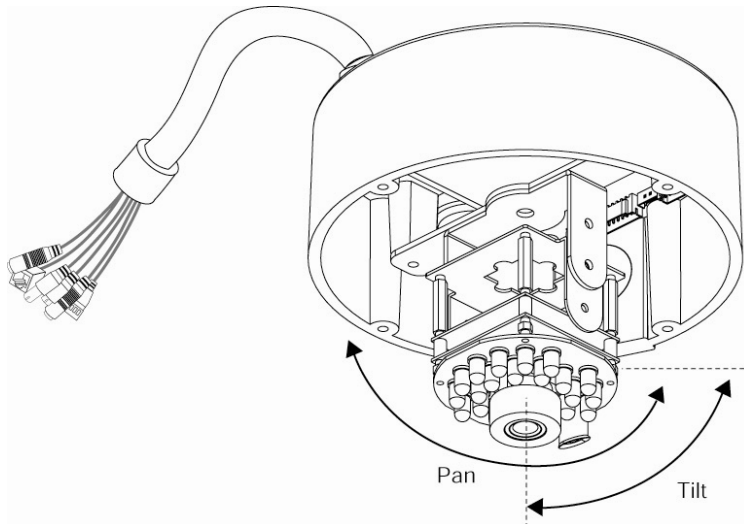
2. Fix the camera to the wall/ceiling with four supplied screws



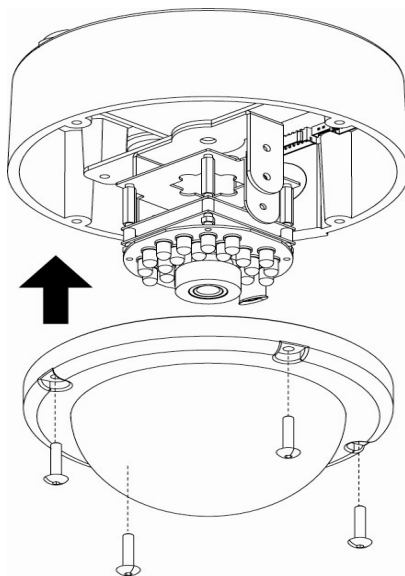
3. Make connections



4. Use the pan/tilt mechanism to set the camera to a proper position; then adjust the zoom and focus of the lens with zoom and focus lock screw



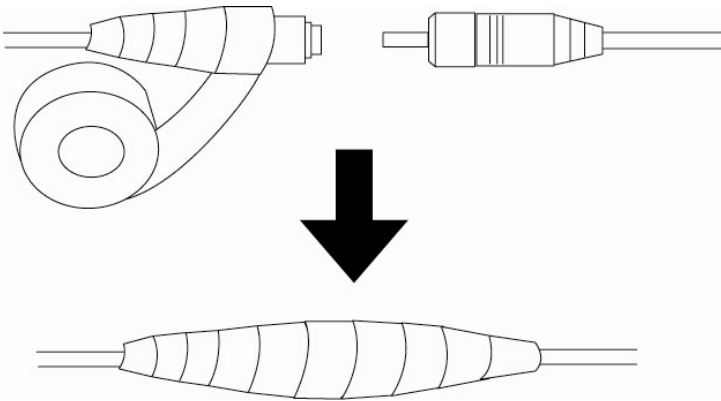
5. Attach the dome cover back to the camera



- Waterproof Process

To completely avoid the camera from water sock, apply waterproof process if necessary.

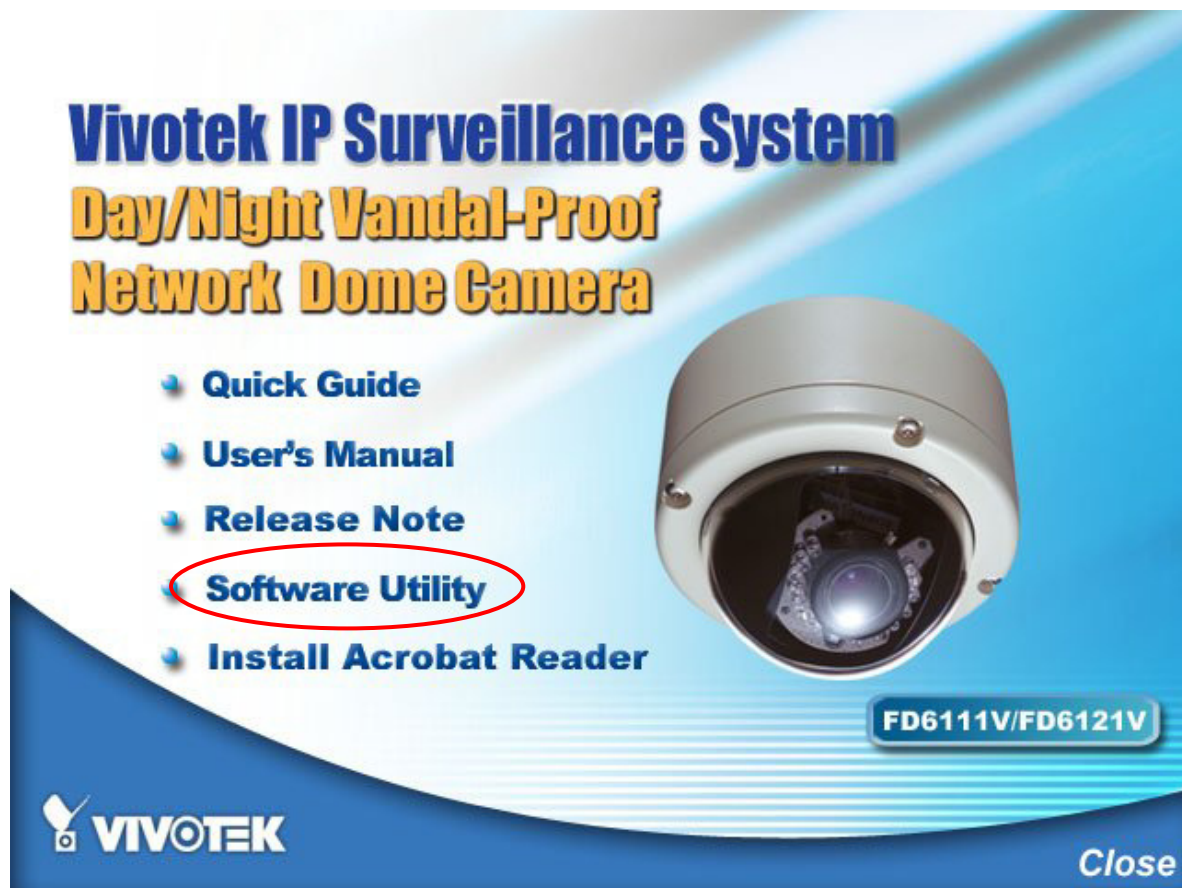
1. Utilize silicone clay or similar waterproof material applied to the screws, screw holes and other necessary portions.
2. Tape the junction points of the connectors on the cable.



Software Installation

In this manual, "User" refers to whoever has access to the Network Camera, and "Administrator" refers to the person who can configure the Network Camera and grant user access to the camera.

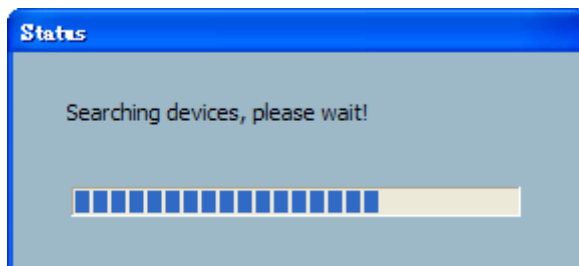
At the end of the hardware installation, the Administrator must place the product software CD into the CD-ROM drive of the PC running in MS Windows. An auto-run program will pop up (If the program is not on auto-run, go to the root directory of the software CD and click on "autorun.exe").



Click on "Software Utility" item, after the window contains changed, click on "Installation Wizard" to run Vivotek's installation program.

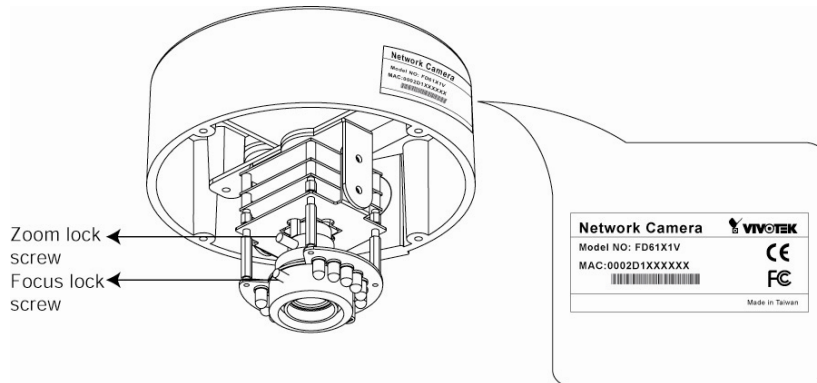


Upon Installation Wizard's start up, a searching box will pop up. This program searches for Vivotek's product on the same LAN:



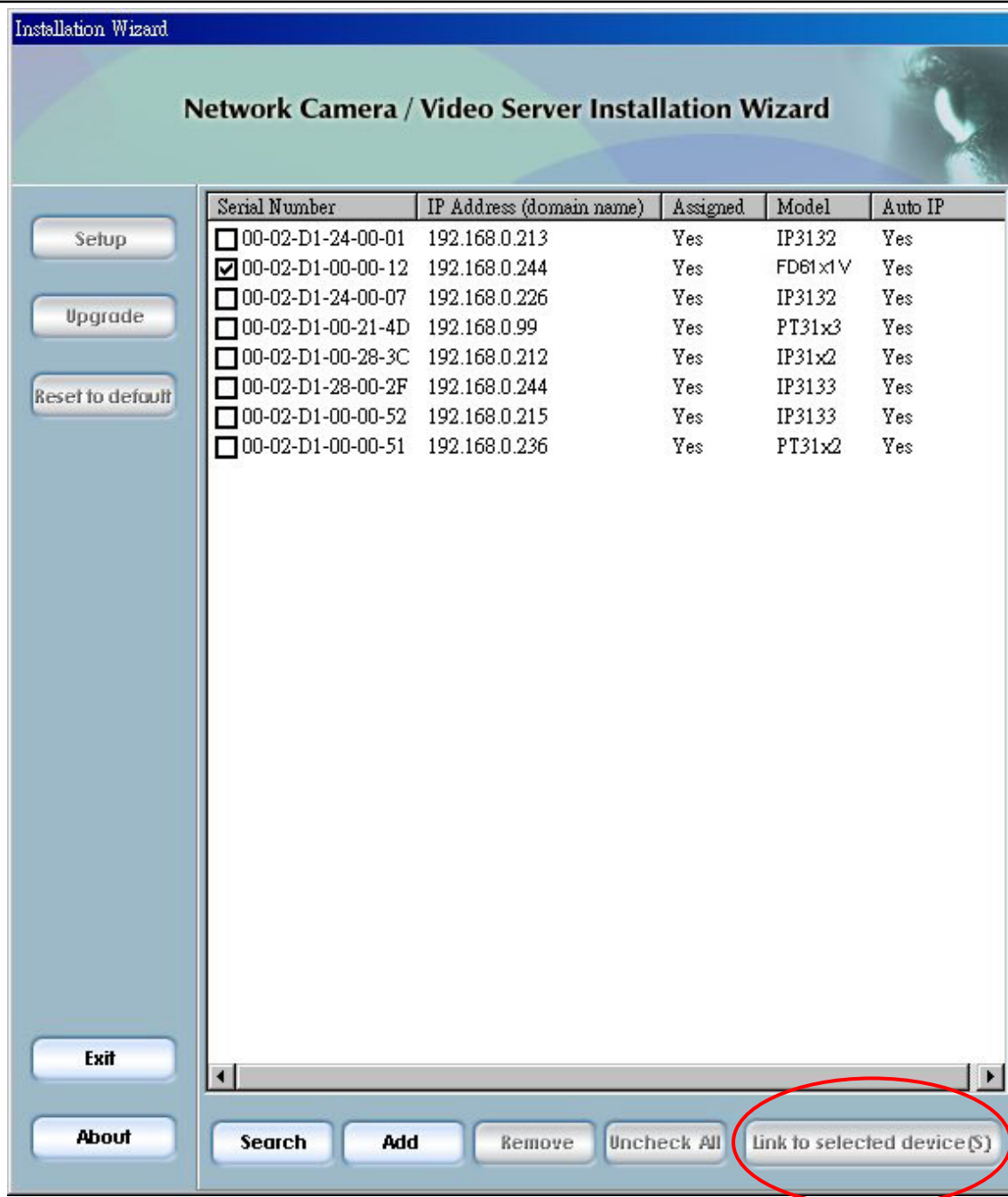
After searching, Vivotek Video Servers or Network Cameras will be located by the Installation Wizard. There may be several entries shown in the window. The Administrator may differentiate the Network Cameras with the serial number.

For the series number in the "Serial Number" field, please check the label on the bottom of the camera.



The IP addresses shown in the "Current IP Address" field reflect those on the local network. They may be from the DHCP server. If there is no DHCP server, the camera will try to find a free IP address (this takes from 15 second to 3 minutes, depending on the LAN status). The method of finding IP address is seeking from 192.168.0.99, to 192.168.0.254. If any of the address inside this range is free, the Network Camera will be assigned to this IP address, and its subnet mask would be 255.255.255.0. If none of the addresses is free, the Network Camera will try the range from 192.168.0.2 to 192.168.0.98. After an IP address is assigned to the camera, the "Activity" status LED blinks.

The Vivotek's new UPnP function will always assign an IP address for the Network Camera. The Administrator can click on button "Link to selected device" to connect the I.E. to the camera. If the camera is not on the IP installer list, click on the "Search" button to search for the camera on the LAN.

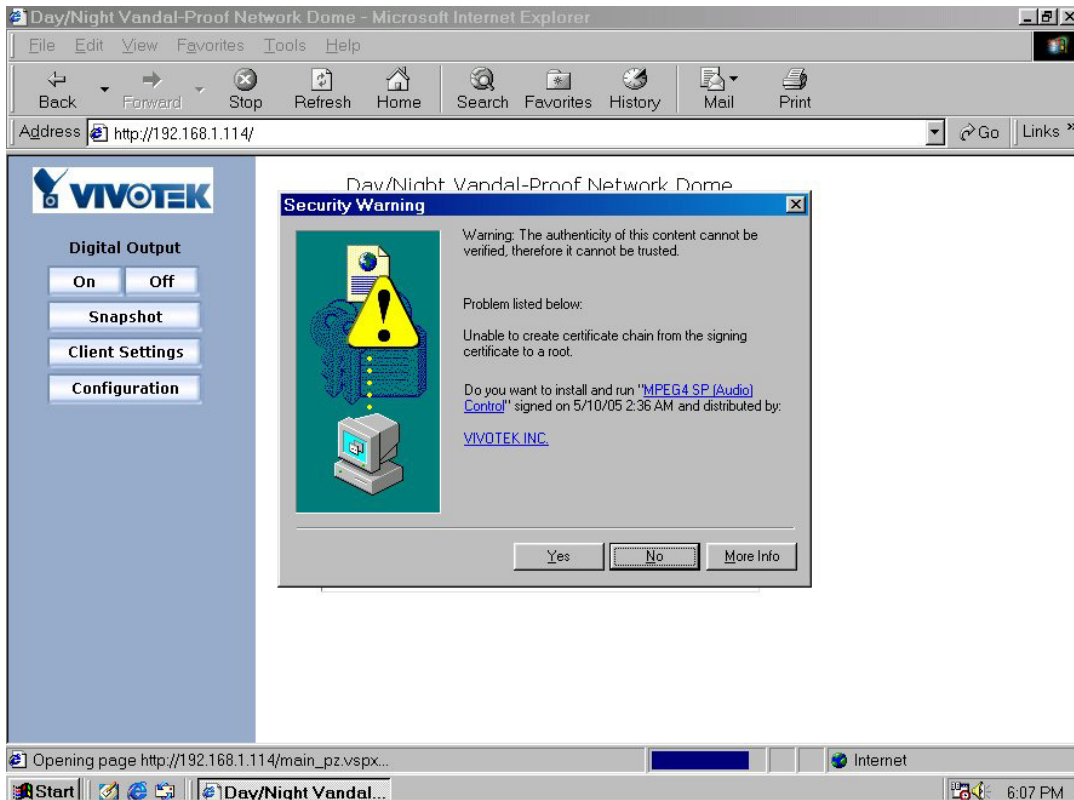


For more detailed usage of the Installation Wizard, please refer to the user's manual of the Installation Wizard.

Initial Access to the Network Camera

Installing Plug-in

For the initial access to the Network Camera in Windows, the web browser may prompt for permission to install a new plug-in for the Network Camera after a period of time of downloading. Permission request depends on the Internet security settings of the user's PC or notebook. If the highest security level is set, the computer may prohibit any installation and execution attempt. This plug-in has been registered for certificate and is used to display the video in the browser. Users may click on to proceed. If the web browser does not allow the user to continue to install, check the Internet security option and lower the security levels or contact your IT or networking supervisor for help.



Check Network Settings

The Network Camera can be connected either before or immediately after software installation onto the Local Area Network. The Administrator should complete the network settings on the configuration page, including the correct subnet mask and IP address of gateway and DNS. Ask your network administrator or Internet service provider for the detail information. By default the Network Camera requires the Administrator to run installation every time it reboots. If the network settings are to remain unchanged, disable the Install option. Refer to "Network settings" on the System Configuration page for details. If any setting is entered incorrectly and cannot proceed to setting up the Network Camera, restore the factory settings following the steps in the "Troubleshooting" chapter of the Appendix.

Add Password to Prevent Unauthorized Access

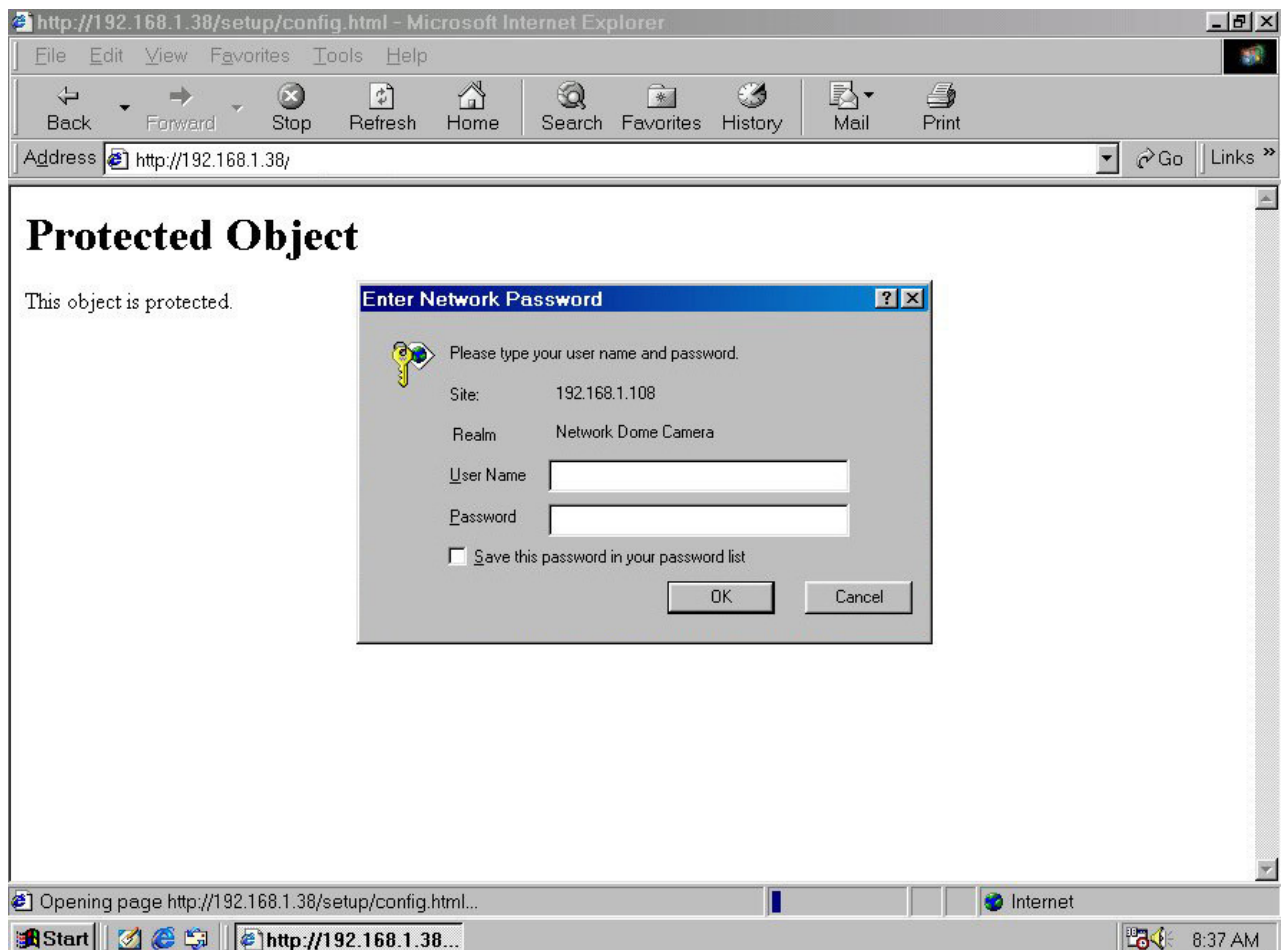
The default Administrator's password is blank and the Network Camera initially will not ask for any password. The Administrator should immediately implement a new password as a matter of prudent security practice. Once the Administrator's password is saved, the Network Camera will ask for the user's name and password before each access. The Administrator can set up a maximum of twenty (20) user accounts. Each user can access the Network Camera except to perform system configuration. Some critical functions are exclusive for the Administrator, such as system configuration, user administration, and software upgrades. The user name for the Administrator is permanently assigned as "root". Once the password is changed, the browser will display an authentication window to ask for the new password. **Once the password is set, there is no provision to recover the Administrator's password. The only option is to restore to the original factory default settings.**

How to Use

Authentication

After opening the web browser and typing in the URL of the Network Camera, a dialogue window pops up to request a username and password.

The foreground is the login window and the background shows the message if authentication fails. The user may check the option box to save the password for future convenience.



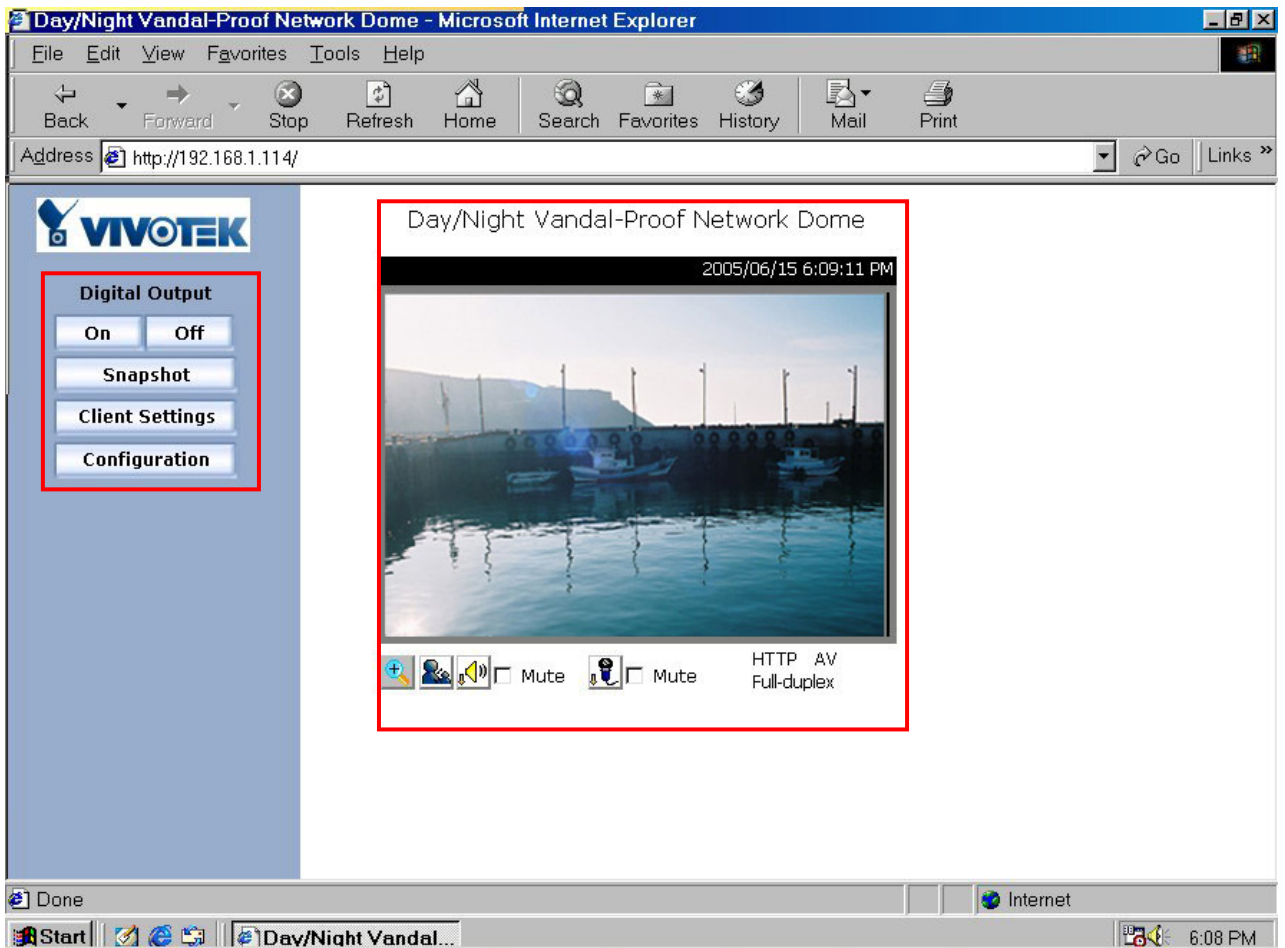
Primary User's Capabilities

Main Screen with Camera View

The main page layout has two parts:

Configuration functions: The camera can be configured using these user interfaces.

Camera View: What the camera sees.



The Configuration:

"Digital Output"

Clicking on the "On" or "Off" button turns the digital output to either on or off status.

"Snapshot"

Clicking on the "Snapshot" can get a JPEG format image of the current camera view in another window.

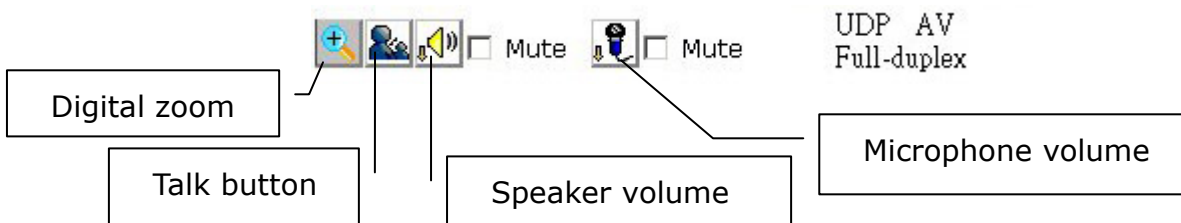
"Client Settings"

Clicking on this button links you to the client setting page, please check the following session for more details.

"Configuration" Only the Administrator can access camera configurations.

The camera view

The information bar at the top of the camera view shows the assigned caption and the current date/time. The information bar at the bottom of the camera view shows the current streaming mode and audio transmission mode. You can push/toggle the talk button to talk to the remote server. The volume of speaker and microphone can also be adjusted.



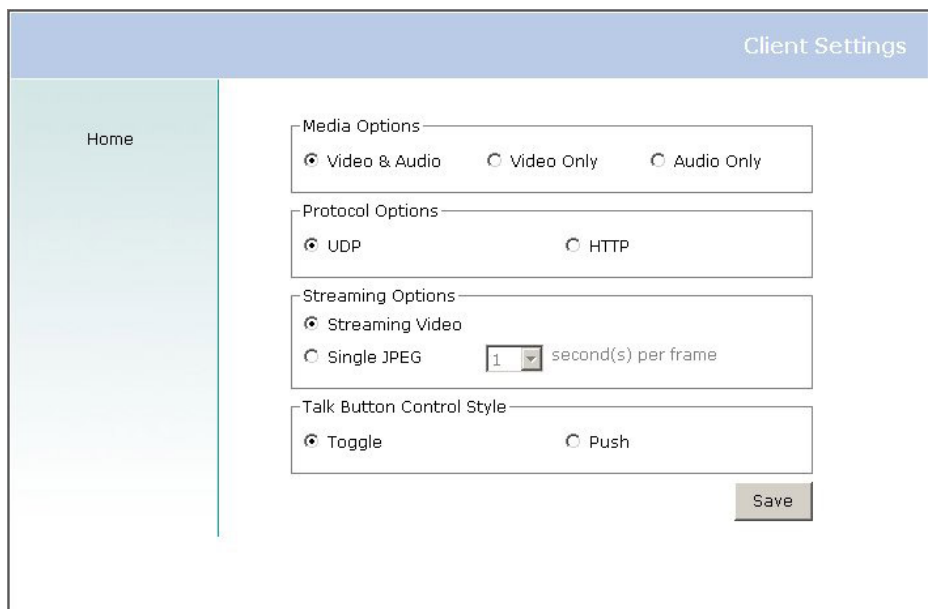
Client Settings

There are four settings for the client side.

Media Options - For the User to determine whether to receive **video, audio** or **both**.

Protocol Options – Which allows choosing on connection protocol between client and server. There are two protocol choices to optimize your usage – UDP and HTTP. The **UDP** protocol allows for more real-time audio and video streams. However, some packets may be lost due to network burst traffic and images may be obscured.

The **HTTP** protocol must be selected if the network is protected by a firewall which allows only HTTP Port (80) to be opened. If there is no restriction, UDP protocol is recommended. Generally speaking, the client's choice will be in the order of UDP → HTTP. After the Network Camera is connected successfully, "**Protocol Options**" will indicate the selected protocol. The selected protocol will be recorded in the user's PC and will be used for the next connection. If the network environment is changed, or the user wants to let the web browser to detect again, manually select the UDP protocol and save, then return to HOME to connect to the Network Camera.



The screenshot shows a web interface titled "Client Settings". On the left is a navigation menu with "Home" selected. The main content area contains four settings sections:

- Media Options:** Radio buttons for "Video & Audio" (selected), "Video Only", and "Audio Only".
- Protocol Options:** Radio buttons for "UDP" (selected) and "HTTP".
- Streaming Options:** Radio buttons for "Streaming Video" (selected) and "Single JPEG". Next to "Single JPEG" is a dropdown menu showing "1" and the text "second(s) per frame".
- Talk Button Control Style:** Radio buttons for "Toggle" (selected) and "Push".

A "Save" button is located at the bottom right of the settings area.

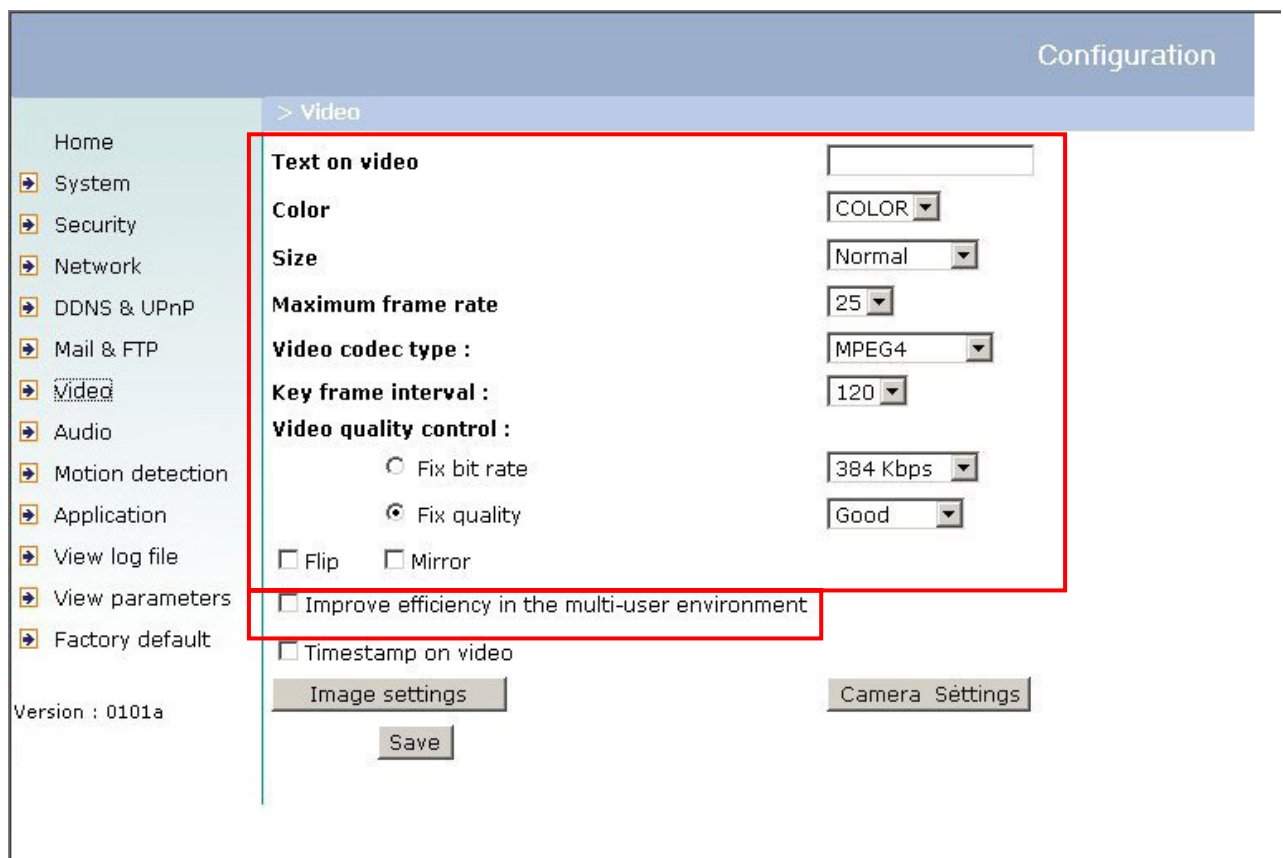
Streaming Options – For users to select the video streaming types. Select “**Streaming Video**” options, the video connection will keep alive to enable you to see smooth video, while “**Single JPEG**” options will let you see the video in JPEG format by client periodic update the JPEG image from server according to the “**Frame rate**” settings.

Talk Button Control Style – For the User to determine whether to “click once and talk” or “push to talk”.

Administrator's Capabilities

Fine-tuning for Best Performance

There are a few choices the Administrator is allowed to maximize the capabilities of the Network Camera. Best performance generally equates to the fastest image refresh rate with the best video quality, and at the lowest network bandwidth as possible. The six factors, "Size", "Maximum frame rate", "Video codec type", "Key frame interval", "Fix bit rate", and "Fix quality" on the Video Configuration page, are correlative to allow for achieving the best performance possible.



The screenshot shows the 'Configuration' page for a Vivotek camera, specifically the 'Video' settings. A red box highlights the following settings:

- Text on video**: [Empty text box]
- Color**: COLOR
- Size**: Normal
- Maximum frame rate**: 25
- Video codec type**: MPEG4
- Key frame interval**: 120
- Video quality control**:
 - Fix bit rate
 - Fix quality
- Flip
- Mirror
- Improve efficiency in the multi-user environment
- Timestamp on video

Buttons: Image settings, Camera Settings, Save

For Best Real-time Video Images

To achieve good real-time visual effect, the network bandwidth should be large enough to allow a transmission rate of greater than 20 image frames per second. If the broadband network is over 1 Mbps, set the "Fix bit rate" to 1000Kbps or 1200Kbps, or set "Fix quality" at the highest quality. The maximum frame rate is 25 fps in a 50Hz system and 30 fps in a 60Hz system. If your network bandwidth is more than 384Kbps, you can fix the bit rate according to your bandwidth and set the maximum frame rate to 25 fps or 30 fps. If you are shooting fast-moving images, you may want to slow the maximum frame rate down to 20 fps in order to lower the rate of data transmission. This allows for better video quality and the human eyes cannot readily detect the differences between those of 20, 25, or 30 frames per second. If your network bandwidth is below 384 Kbps, set the "Fix bit rate" according to your bandwidth and try to get the best performance by fine-tuning with the "Maximum frame rate". In a slow network, greater frame rate results in blur images. Another work-around is to choose "Half" in the "Size" option for better images, or "Halfx2" for a larger image view. Video quality performance will vary somewhat due to the number of users viewing on the network; even when the parameters have initially been finely tuned. Performance will also suffer due to poor connectivity because of the network's burst constraint.

In multi-user environment, the user who has poor network performance will receive only the key frame in MPEG4 format. Try to reduce the key frame interval can improve the frame rate for poor network performance, but the penalty is the increasing of network traffic. If the server is running on the Internet, select the "improve efficiency in the multi-user environment" will improve the efficiency in the multi-user environment.

Only Quality Images Will Do

To have the best video quality, you should set "Fix quality" at "Detailed" or "Excellent" and adjust the "Maximum frame rate" to match your network's bandwidth. If your network is slow and you receive "broken" pictures, go to the HTTP protocol in "Connection type" and choose a more appropriate mode of transmission. The images may suffer a time delay due to a slower connection.

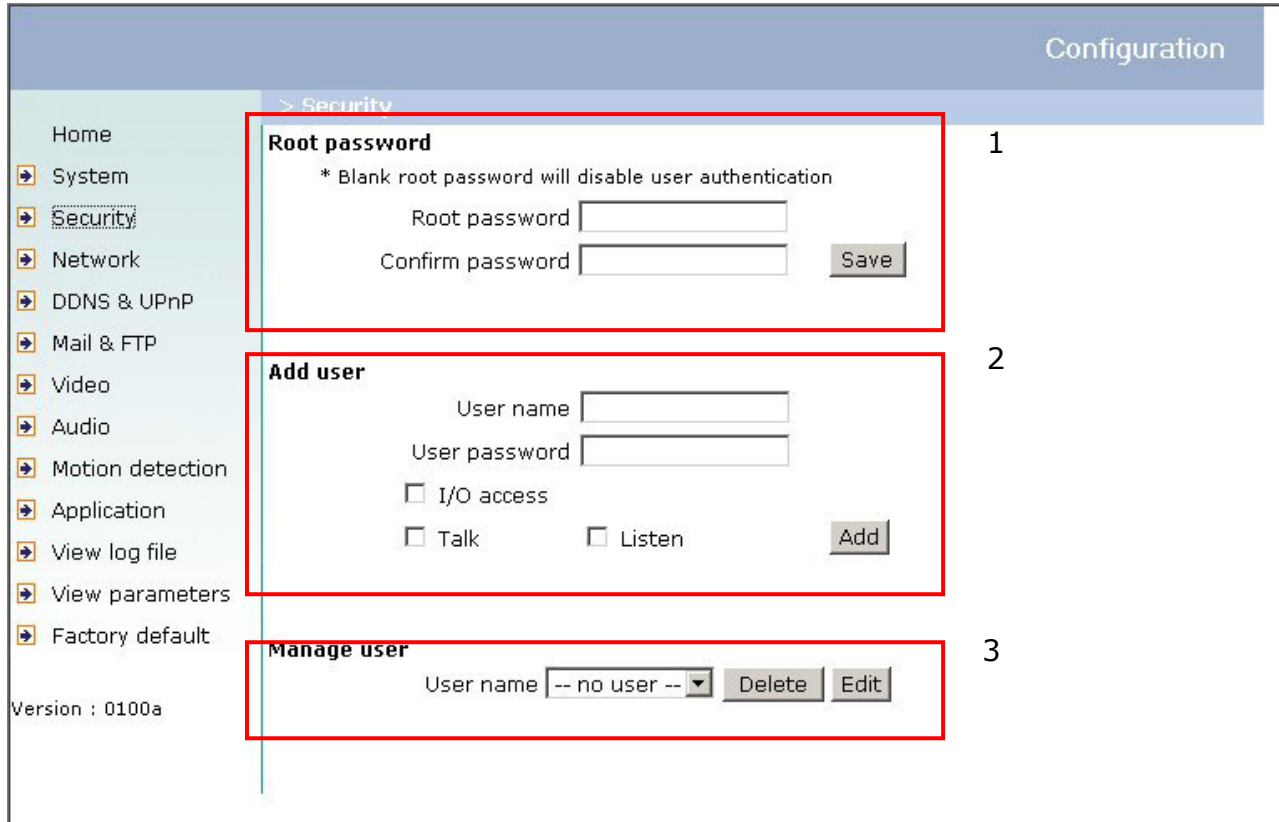
Somewhere Between Real-time and Clear Images

If you have a broadband network, set "Fix quality" at "Normal" or better, rather than setting "Fix bit rate". You can also fix the bandwidth according to your actual network speed and adjust the frame rate. Start from 30 fps down for best results but not below 15 fps. If the image qualities are not improved, select a lower bandwidth setting.

Select for Motion JPEG

The Network Camera is a camera with dual video codec, they're MPEG4 and MJPEG. If MJPEG is selected, the camera will transmit video data in JPEG format. Therefore, it requires higher bandwidth to view smooth video. General speaking, each normal sized JPEG image would be 3k~12k bytes, depending on the selected video quality and contents. Together with the frame rate selected, the administrator can control the bandwidth of each connection.

Opening Accounts for New Users



The screenshot shows the configuration interface for a Vivotek device, specifically the Security section. The interface is divided into a left sidebar and a main content area. The sidebar contains a navigation menu with options like Home, System, Security, Network, DDNS & UPnP, Mail & FTP, Video, Audio, Motion detection, Application, View log file, View parameters, and Factory default. The main content area is titled 'Configuration' and shows the 'Security' settings. Three specific areas are highlighted with red boxes and numbered 1, 2, and 3:

- Root password:** A section with a note: "* Blank root password will disable user authentication". It contains two input fields: "Root password" and "Confirm password", followed by a "Save" button.
- Add user:** A section for adding a new user. It contains input fields for "User name" and "User password", and three checkboxes: "I/O access", "Talk", and "Listen". An "Add" button is located at the bottom right.
- Manage user:** A section for managing existing users. It features a dropdown menu for "User name" (currently showing "-- no user --") and two buttons: "Delete" and "Edit".

Version : 0100a

Protect Network Camera by Passwords

The Network Camera is shipped without any password by default. That means everyone can access the Network Camera including the configuration as long as the IP address is known. It is necessary to assign a password if the Network Camera is intended to be accessed by others. Type a new word twice in the first field to enable protection. This password is used to identify the administrator. Then add an account with user name and password for your friends in the second field. The Network Camera can provide twenty accounts for your valuable customers or friends. Each account identifies the access right rather than the real visitor. That allows multiple visitors share the same account of different level. Each account has four kinds of privileges, which can be set individually. The **"I/O access"** privilege permits the user

to access DI/DO of the server. The **"Talk"** privilege permits the user to send speech to the Network Camera. The **"Listen"** privilege permits the user to listen sounds from the server. You may edit or delete some users from the third field.

More Flexible Options for Viewers

If you want to have a guest account for viewers only, you just need to add a user without password and disable all the privileges. Share the account to your friends to access your camera.

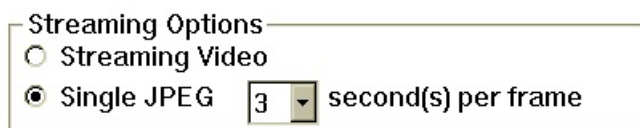
Build a Multimedia Web Attraction Site

Demo on Multiple Sites – Mid-scale Service

The Network Camera can allow ten visitors on-line simultaneously. After Installation, focus the Network Camera on any object you wish to share, and tell the visitors to type in the web browser address. Caution: You may want to maintain your visitor's list in the security configuration page to block out unexpected visitors.

Product Demo for E-business – Large-scale Service

If the number of visitors has exceeded the limit, the Network Camera can allow the "overload" viewers to see the snapshots in JPEG mode, on the homepage. These are still images and will be refreshed periodically and automatically.



The image shows a screenshot of a web interface titled "Streaming Options". It contains two radio button options: "Streaming Video" (which is unselected) and "Single JPEG" (which is selected). To the right of the "Single JPEG" option is a dropdown menu showing the number "3" and the text "second(s) per frame".

1. Click on "Client Settings" on the homepage,
2. Select "Single JPEG" in "Streaming Options",
3. Set the snapshot interval to refresh the still image automatically. The longer the snapshot interval, the better the snapshot mode works for multiple viewers.

If you want to expand to allow in more viewers, the host server should be able to handle large network traffic, which must handle the picture refreshing from the Network Camera.

If the web space has FTP service

Set the Network Camera up as an FTP client to upload the pictures. The access to the Network Camera will be independent of the number of viewers and the picture quality will remain constant.

Configuration

> Application

- Home
- ▶ System
- ▶ Security
- ▶ Network
- ▶ DDNS & UPnP
- ▶ Mail & FTP
- ▶ Video
- ▶ Audio
- ▶ Motion detection
- ▶ **Application**
- ▶ View log file
- ▶ View parameters
- ▶ Factory default

Version : 0100d

Weekly schedule
 Sun Mon Tue Wed Thu Fri Sat
snapshots begin at [hh:mm:ss]
snapshots stop at [hh:mm:ss]
 All the time except for the above schedule

Snapshot file name prefix
 Event operation
General
Delay second(s) before detecting the next event
Send pre-event image(s) when event occurs
Trigger condition
 Input is high Input is low
 Input is rising Input is falling
Detect motion in :
 1 2 3
Note: Motion detection must be setup first
Trigger action
 Trigger output alarm while input condition matched
 Trigger output alarm while motion detected
 Upload snapshots while input condition matched
 Upload snapshots while motion detected

Reset output
 Sequential operation
Snapshot interval: second(s)
 Send snapshots by email
 Send snapshots by FTP
 FTP put snapshots with date and time suffix

1. Click on "Configuration" on the homepage,
2. Click on "Mail & FTP" in the left column,
3. Fill in the FTP related settings including server, server port, user name and password, as well as the upload path if it is specified by the web space,
4. Click on "Save",
5. Click on "Application" in the left column,
6. Select the day or days of the week in "Weekly schedule" you want to upload the pictures,
7. Select "Sequential operation" and set the interval,
8. Unselect "FTP put snapshots with date and time suffix" as the upload method and click on "Save",
9. The image file uploaded to the web space is named "video.jpg". Check if the file is successfully uploaded to the correct folder,
10. Prepare a homepage with the embedded image reference to the image file uploaded via FTP in advance.

If the web space has no FTP service

An auto-refresh homepage can be used to periodically poll the newest image from the Network Camera. It is most efficient if using a free web space provider as the FTP service may be limiting.

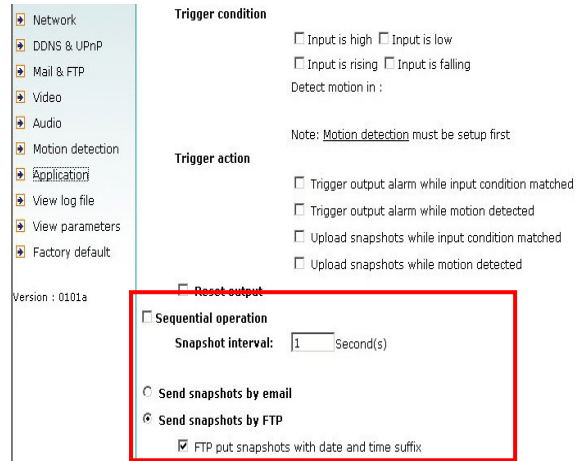
1. Prepare an auto-refresh homepage as the following example. The URL of image is `http://"IP address of the Network Camera"/cgi-bin/video.jpg`. Modify the IP address according to your Network Camera. Define the refresh interval according to your network bandwidth for best result. If the refresh rate is too fast and there is a large number of visitors, this may overload the Network Camera and slows the response.

Example of an auto-refresh web page:

```
<html>
<head>
<title>Example - auto refresh</title>
</head>
<body>
<p align=left>
  <font size="7" face="Comic Sans MS" color="#FF0000">
    MiniAVServer Demo
  </font>
</p>
<p align=left>
<!-- Begin of scripts to auto refresh the image. Change the IP address in the
image URL and refreshrate if necessary. //-->
<script language=javascript>
var image="http://192.168.0.203/cgi-bin/video.jpg";      //IMAGE URL
var refreshrate=5;          //SECONDS BETWEEN REFRESH
var imgwidth=352;          //IMAGE WIDTH
var imgheight=240;        //IMAGE HEIGHT
function refresh(){
document.images["pic"].src=image+"?" +new Date();
setTimeout('refresh()', refreshrate*1000);}
document.write('');
if(document.images)window.onload=refresh;
</script>
<!-- End of scripts to auto refresh the image. //-->
</p>
</body>
</html>
```

Build a Security Application

The Administrator can combine options on the application page to perform many useful security applications. There are two trigger sources coming from attached devices, such as for motion detection. There are also two kinds of actions responding to such events, including uploading snapshots over the Internet and driving other attached devices. To upload the snapshots, the User can choose either email or FTP according to user's needs. Both e-mail and FTP use the network settings on the Mail & FTP page. Refer to the definition section for detail configuration.



Network
 DDNS & UPnP
 Mail & FTP
 Video
 Audio
 Motion detection
 Application
 View log file
 View parameters
 Factory default

Version : 0101a

Trigger condition

Input is high Input is low
 Input is rising Input is falling
 Detect motion in :

Note: Motion detection must be setup first.

Trigger action

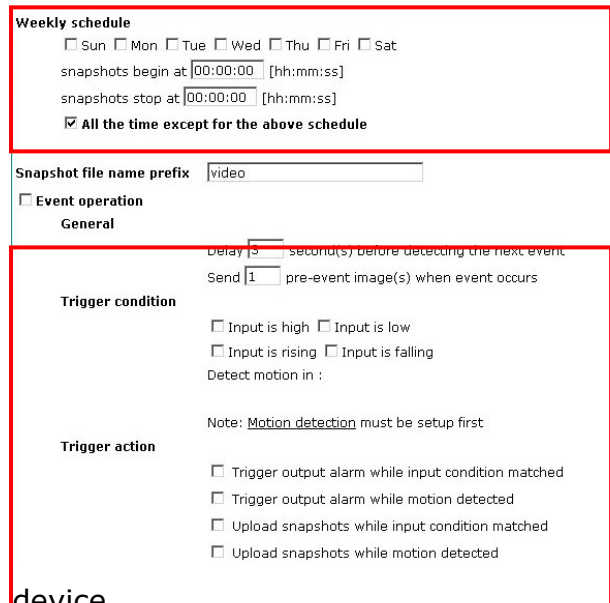
Trigger output alarm while input condition matched
 Trigger output alarm while motion detected
 Upload snapshots while input condition matched
 Upload snapshots while motion detected

Reset output

Sequential operation
 Snapshot interval: 1 Second(s)

Send snapshots by email
 Send snapshots by FTP
 FTP put snapshots with date and time suffix

1. Click on "Configuration" on the homepage,
2. Click on "Application" in the left column,
3. Check the weekdays as you need and give the period of "Snapshots begin" time and "Snapshots end" time to monitor the triggering conditions every day,
4. Check the "Event operation". The triggering condition can be set to detected motion or status of the attached device,
5. Set the delay before detecting next event to avoid continuous false alarms following the original event,



Weekly schedule

Sun Mon Tue Wed Thu Fri Sat
 snapshots begin at 00:00:00 [hh:mm:ss]
 snapshots stop at 00:00:00 [hh:mm:ss]
 All the time except for the above schedule

Snapshot file name prefix: video

Event operation

General

Delay 5 second(s) before detecting the next event.
 Send 1 pre-event image(s) when event occurs

Trigger condition

Input is high Input is low
 Input is rising Input is falling
 Detect motion in :

Note: Motion detection must be setup first.

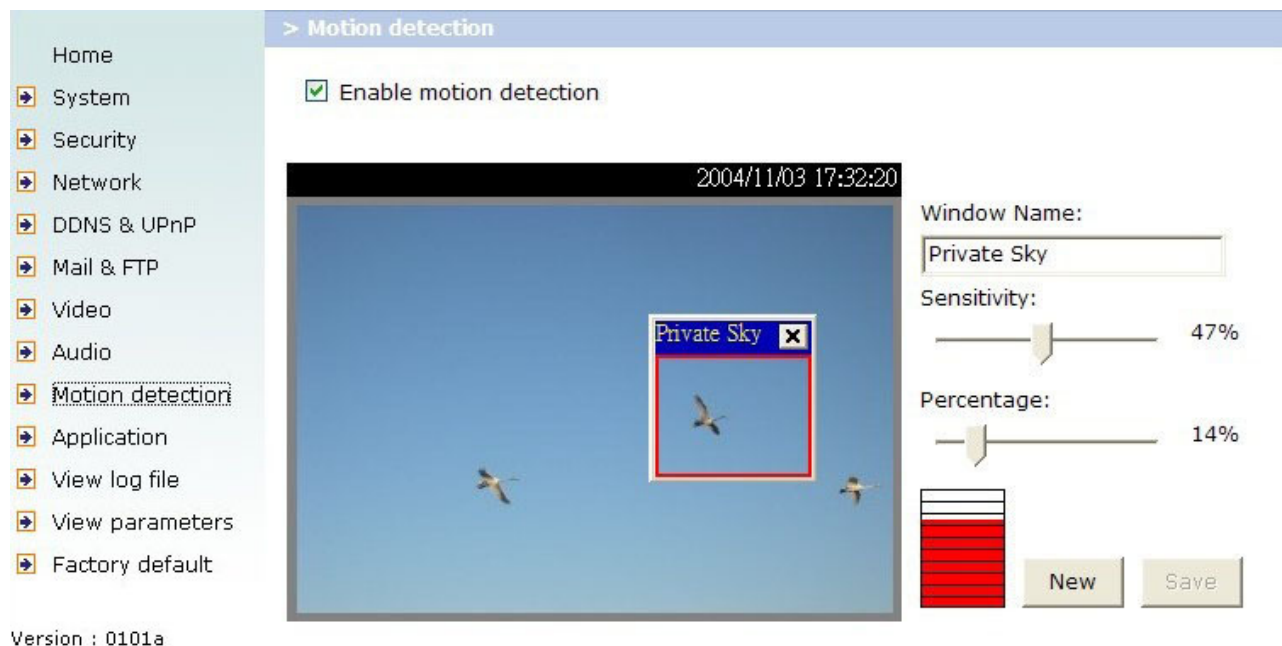
Trigger action

Trigger output alarm while input condition matched
 Trigger output alarm while motion detected
 Upload snapshots while input condition matched
 Upload snapshots while motion detected

Send Snapshots When Motion is Detected

If no external sensor is available, the Administrator can use the built-in motion detection to monitor any movement and send snapshots via emails for security check.

6. Click on "Motion detection" in the left column,
7. Check "Enable motion detection",
8. Click on "New" to have a new window to monitor video,
9. Type in a name to identify the new window,
10. Use the mouse to click, hold, and drag the window corner to resize or the title bar to move,
11. Fine-tune using the "Sensitivity" and "Percentage" fields to best suit the camera's environment. Higher "Sensitivity" detects the slighter motion. Higher "Percentage" discriminates smaller objects,
12. Clicking on "Save" enables the activity display. Green means the motion in the window is under the watermark set by the Administrator and red means it is over the watermark,



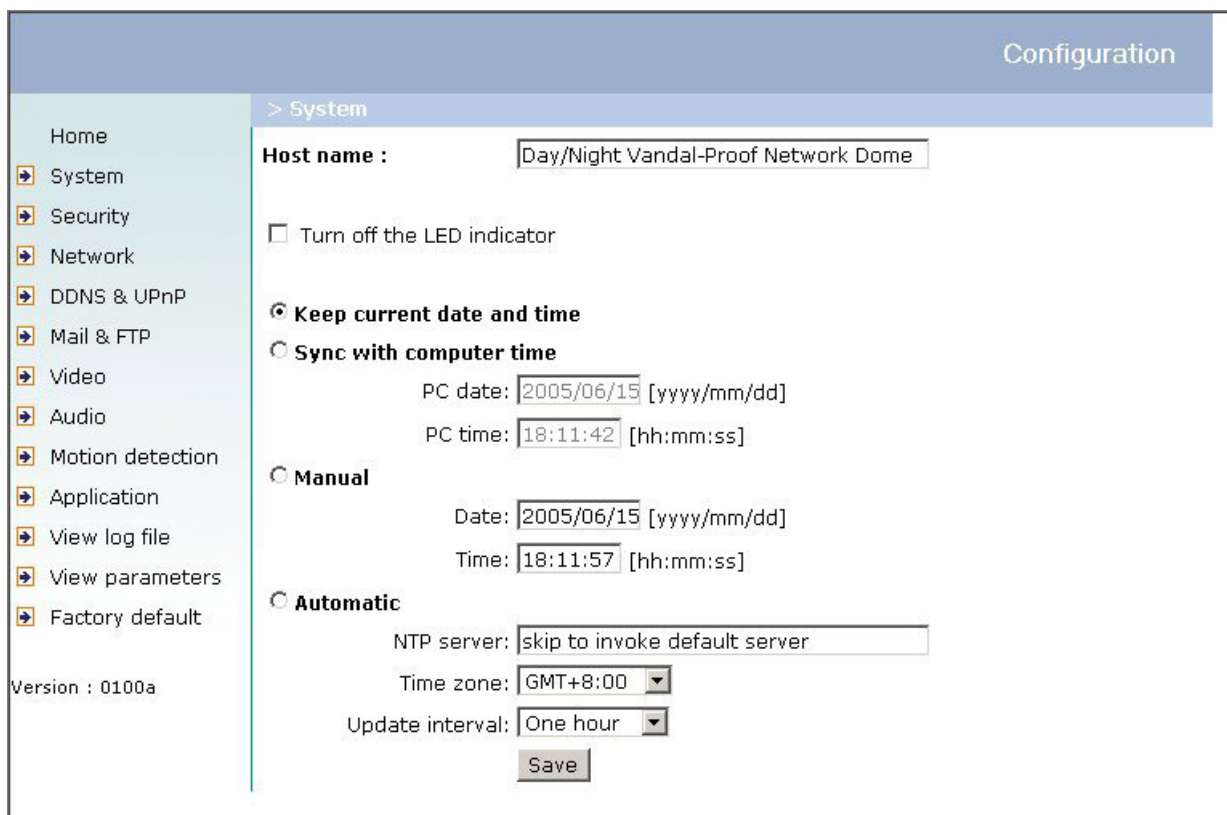
The screenshot shows the Vivotek web interface for motion detection settings. On the left is a navigation menu with options: Home, System, Security, Network, DDNS & UPnP, Mail & FTP, Video, Audio, Motion detection (highlighted), Application, View log file, View parameters, and Factory default. The main content area is titled "> Motion detection" and contains a checked checkbox for "Enable motion detection". Below this is a video preview window showing a blue sky with birds. A smaller window titled "Private Sky" is overlaid on the video, with a red border indicating motion detection. To the right of the video are sliders for "Sensitivity" (set to 47%) and "Percentage" (set to 14%). Below the sliders is a red bar chart representing motion activity, and two buttons labeled "New" and "Save". The version number "Version : 0101a" is displayed at the bottom left of the interface.

13. Click on "Application" in the left column,
14. Check on the window name set in step 9,

15. Check "Upload snapshots while motion detected", if e-mailing the snapshots is preferred,
16. Check "Send snapshots by email",
17. Click on "Save" to validate.

Definitions in Configuration

Only the Administrator can access system configuration. Each category in the left column will be explained in the following pages. The bold texts are the specific phrases on the Option pages. The Administrator may type the URL below the figure to directly enter the frame page of configuration. If the Administrator also wants to set certain options through the URL, read the reference appendix for details.



<url> <http://<Network Camera>/setup/config.html>

<Network Camera> is the domain name or original IP address of the Network Camera.

<url> <http://<Network Camera>/setup/system.vsp>

<Network Camera> is the domain name or original IP address of the Network Camera.

System Parameters

"Host name" The text displays the title at the top of the main page.

"Turn off the LED indicator" Check this option to shut off the LED on the Ethernet connector. It can prevent the camera's operation being noticed.

"Keep current date and time" Click on this to reserve the current date and time of the Network Camera. An internal real-time clock maintains the date and time even when the power of the system is turned off.

"Sync with computer time" Synchronize the date and time of the Network Camera with the local computer. The read-only date and time of PC is displayed as updated.

"Manual" Adjust the date and time according to what is entered by the Administrator. Notice the format in the related fields while doing the entry.

"Automatic" Synchronize with the NTP server over the Internet whenever the Network Camera starts up. It will fail if the assigned time-server cannot be reached.

"NTP server" Assign the IP address or domain name of the time-server. Leaving the text box blank connects the Network Camera to the default time-servers.

"Time zone" Adjust the time with that of the time-servers for local settings.

"Update interval" Select hourly, daily, weekly, or monthly update with the time on the NTP server.

Remember to click on to immediately validate the changes. Otherwise, the correct time will not be synchronized.

User Group Administration

"Root password" Change the Administrator's password by typing in the new password identically in both text boxes. The typed entries will be displayed as asterisks for security purposes. After pressing , the web browser will ask the Administrator for the new password for access.

"Add user" Type the new user's name and password and press to insert the new entry. The new user will be displayed in the user name list. There is a maximum of twenty user accounts. Each user can have four privileges - **"I/O access"**, **"Talk"** and **"Listen"**.

"I/O access" Allows user to control the DO and get status of the DI.

"Talk" Allows user to talk to the server.

"Listen" Allows user to listen from the server.

"Delete user" Pull down the user list to find the user's name and press to complete.

"Edit user" Pull down the user list to find the user's name and press to edit the user's password and privilege.

Configuration

> Security

- Home
- ▶ System
- ▶ **Security**
- ▶ Network
- ▶ DDNS & UPnP
- ▶ Mail & FTP
- ▶ Video
- ▶ Audio
- ▶ Motion detection
- ▶ Application
- ▶ View log file
- ▶ View parameters
- ▶ Factory default

Version : 0100a

Root password

* Blank root password will disable user authentication

Root password

Confirm password

Add user

User name

User password

I/O access

Talk Listen

Manage user

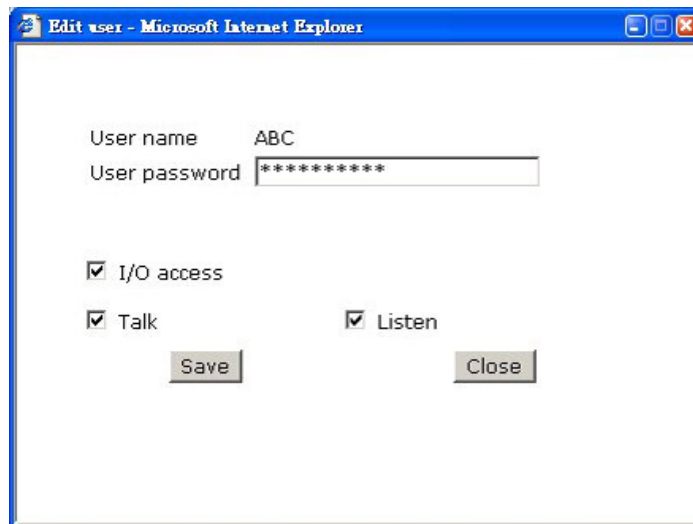
User name

<url> <http://<Network Camera>/setup/security.vspcx>

<Network Camera> is the domain name or original IP address of the Network Camera.

Edit User

Type the new password, change the privilege and press to modify the account.



<url> <http://<Network Camera>/setup/edituser.vsp>

<Network Camera> is the domain name or original IP address of the Network Camera.

Network Settings

Any changes made on this page will need to restart the system in order to validate the changes. Make sure every field is entered correctly before clicking on .

"Get IP address automatically" & "Use fixed IP address"

The default status is "**Get IP address automatically**". This can be tedious having to perform software installation whenever the Network Camera starts. Therefore, once the network settings, especially the IP address, have been entered correctly, select "**Use fixed IP address**" then the Network Camera will skip installation at the next boot. The Network Camera can automatically restart and operate normally after a power outage. Users can run IP installer to check the IP address assigned to the Network Camera if the IP address is forgotten or using the UPnP function provided by the Network Camera (MS Windows XP provides UPnP function at **My Network Place**). As for how to get IP address automatically, please refer to the section of Software Installation.

General

"**IP address**" This is necessary for network identification.

"**Subnet mask**" It is used to determine if the destination is in the same subnet. The default value is "255.255.255.0".

"**Default router**" This is the gateway used to forward frames to destinations in different subnet. Invalid router setting will fail the transmission to destinations in different subnet.

"**Primary DNS**" The primary domain name server that translates hostnames into IP addresses.

"**Secondary DNS**" The secondary domain name server that backups the Primary DNS.

HTTP

"HTTP port" This can be other than the default Port 80. Once the port is changed, the User must be notified the change for the connection to be successful. For instance, when the Administrator changes the HTTP port of the Network Camera whose IP address is 192.168.0.100 from 80 to 8080, the User must type in the web browser "http://192.168.0.100:8080" instead of "http://192.168.0.100".

Streaming

"UDP audio channel port" This can be something other than the default port 5002 in order to work with the port opened by the firewall.

"UDP video channel port" This can be something other than the default port 5003 in order to work with the port opened by the firewall.

Configuration

- Home
- System
- Security
- **Network**
- DDNS & UPnP
- Mail & FTP
- Video
- Audio
- Motion detection
- Application
- View log file
- View parameters
- Factory default

Version : 0100a

> Network

Get IP address automatically
 Use fixed IP address

General

IP address	<input type="text" value="192.168.1.114"/>
Subnet mask	<input type="text" value="255.255.255.0"/>
Default router	<input type="text" value="192.168.1.1"/>
Primary DNS	<input type="text" value="0.0.0.0"/>
Secondary DNS	<input type="text" value="0.0.0.0"/>

HTTP

HTTP port	<input type="text" value="80"/>
-----------	---------------------------------

Streaming

UDP audio channel port	<input type="text" value="5002"/>
UDP video channel port	<input type="text" value="5003"/>

<url> <http://<Network Camera>/setup/network.vspix>

<Network Camera> is the domain name or original IP address of the Network Camera.

DDNS & UPnP

"Enable DDNS" This option turns on the DDNS function.

"Provider" The provider list contains four hosts that provide DDNS services. Please connect to the service provider's website to make sure the service charges.

"Host Name" If the User wants to use DDNS service, this field must be filled. Please input the hostname that is registered in the DDNS server.

"Username/E-mail" The Username or E-mail field is necessary for logging in the DDNS server or notify the User of the new IP address. Note: when this field is input as "Username" the following field must be input as "Password".

"Password/Key" Please input the password or key to get the DDNS service.

"Enable UPnP" This turns on or off the UPnP function. When UPnP is turned off, the camera cannot be found through network neighbors in MS Windows XP. If the UPnP network component is installed in Windows XP, the hostname of the Network Camera will be shown with bracketed IP address in the Network neighbors. Ex: Network Camera (xxx.xxx.xxx.96). That is: The hostname of the Network Camera is "*Network Camera*", and the IP address of the Network Camera is *xxx.xxx.xxx.96*, depends on the last value of the IP address assigned to the Network Camera.

"Save" Click on this button to save current settings for the DDNS service and UPnP function.

Configuration

> DDNS & UPnP

- Home
- System
- Security
- Network
- **DDNS & UPnP**
- Mail & FTP
- Video
- Audio
- Motion detection
- Application
- View log file
- View parameters
- Factory default

Version : 0100a

Dynamic DNS
Use dynamic DNS if you want to use your DDNS account.

Enable DDNS

Provider

Host name

Username/E-mail

Password/Key

Universal PnP

Enable UPnP

<url> <http://<Network Camera>/setup/ddnsupnp.vsp>x

<Network Camera> is the domain name or original IP address of the Network Camera.

Mail & FTP

SMTP

"1st SMTP (mail) server" The domain name or IP address of the external email server.

"1st SMTP account name" Granted account name on the email server.

"1st SMTP password" Granted password on the email server.

"1st recipient email address" The email address of recipients for snapshots or log file. Multiple recipients must be separated by semicolon, `;`.

"2nd SMTP (mail) server" The domain name or IP address of another email server once the previous server is unreachable.

"2nd SMTP account name" Granted account name on the backup SMTP server.

"2nd SMTP password" Granted password on the backup SMTP server.

"2nd recipient email address" The email address of recipients for the backup server.

"Sender email address" The return email address used in the event the mails fail to send out.

FTP

"Built-in FTP server port" This can be other than the default Port 21. The User can change this value from 1 to 65535. After the change, the external FTP client program must change the server port of connection accordingly.

"1st FTP server" The domain name or IP address of the external FTP server. The following user settings must be correctly configured for remote access.

"1st FTP server port" The port to access the external FTP server.

"1st FTP user name" Granted user name on the external FTP server.

"1st FTP password" Granted password on the external FTP server.

"1st FTP remote folder" Granted folder on the external FTP server. The string must conform to that of the external FTP server. Some FTP servers cannot accept preceding

slash symbol before the path without virtual path mapping. Refer to the instructions for the external FTP server for details. The folder privilege must be open for upload.

"1st FTP passive mode" The Network Camera is located inside the network protected by a firewall, data connection for FTP may be prohibited. By selecting passive mode, the FTP can bypass the rule and allow snapshot upload to proceed. If the passive mode is selected, the Network Camera can automatically attempt for active mode, if the external FTP server does not support passive mode.

"2nd FTP server" The domain name or IP address of the backup FTP server.

"2nd FTP server port" The port to access the backup FTP server.

"2nd FTP user name" Granted user name on the backup FTP server.

"2nd FTP password" Granted password on the backup FTP server.

"2nd FTP remote folder" Granted folder on the backup FTP server.

"2nd FTP passive mode" Passive mode setting for the backup FTP server.

Configuration

Home

- [System](#)
- [Security](#)
- [Network](#)
- [DDNS & UPnP](#)
- [Mail & FTP](#)
- [Video](#)
- [Audio](#)
- [Motion detection](#)
- [Application](#)
- [View log file](#)
- [View parameters](#)
- [Factory default](#)

Version : 0101a

> Mail & FTP

SMTP

1st SMTP (mail) server	<input type="text"/>
1st SMTP account name	<input type="text"/>
1st SMTP password	<input type="text"/>
1st recipient email address	<input type="text"/>
2nd SMTP (mail) server	<input type="text"/>
2nd SMTP account name	<input type="text"/>
2nd SMTP password	<input type="text"/>
2nd recipient email address	<input type="text"/>
Sender email address	<input type="text"/>

FTP

Built-in FTP server port	<input type="text" value="21"/>
1st FTP server	<input type="text"/>
1st FTP server port	<input type="text" value="21"/>
1st FTP user name	<input type="text"/>
1st FTP password	<input type="text"/>
1st FTP remote folder	<input type="text"/>
<input type="checkbox"/> 1st FTP passive mode	
2nd FTP server	<input type="text"/>
2nd FTP server port	<input type="text" value="21"/>
2nd FTP user name	<input type="text"/>
2nd FTP password	<input type="text"/>
2nd FTP remote folder	<input type="text"/>
<input type="checkbox"/> 2nd FTP passive mode	

<url> <http://<Network Camera>/setup/mailftp.vsp>

<Network Camera> is the domain name or original IP address of the Network Camera.

Video Codec Parameters

"Text on video" The text will be displayed in the black bar above the video window with a timestamp. The timestamp is captured from date and time of the Network Camera that is maintained by a built-in real-time clock.

"Color" Select either for color or monochrome video display.

"Size" There are five options for three video sizes. "Half" is the quarter size of "Normal" and "Normal" is the quarter size of "Double". "Half x 2" has the same video size as "Normal" but of a lesser quality, while consuming less network bandwidth. "Normal x 2" has the same size as "Double" but of a lesser quality.

"Video codec type" It can be either MJPEG or MPEG4. In MJPEG mode, the video frames are independent. In MPEG4 mode, there are I frames and P frames. To decode a P frame need the information of previous frame. MPEG4 consumes much less network bandwidth than MJPEG.

There are five dependent parameters provided for video performance adjustment.

"Maximum frame rate" This limits the maximal refresh frame rate, which can be combined with the **"Video quality control"** to optimize the bandwidth utilization and video quality. If the User wants to fix the bandwidth utilization regardless of the video quality, choose **"Fix bit rate"** and select the desired bandwidth. MPEG4 video are composed by I frames and P frames as the following sequence. IPPPPP IPPPPP IPPPP.. **"Key frame interval"** determines how many repeated P frames will appear after one I frame. Large **"Key frame interval"** can reduce the bit rate, but cause image corrupt longer if there is packet loss while transmission. **"Fix bit rate"** option and **"Key frame interval"** option are only available in **"MPEG4"** mode. The video quality may be poor due to the sending of maximal frame rate within the limited bandwidth when images are moving rapidly. Consequently, to ensure detailed video quality (quantization rate) regardless of the network, it will utilize more bandwidth to send the maximal frames when images change drastically.

"Flip" Vertically rotate the video.

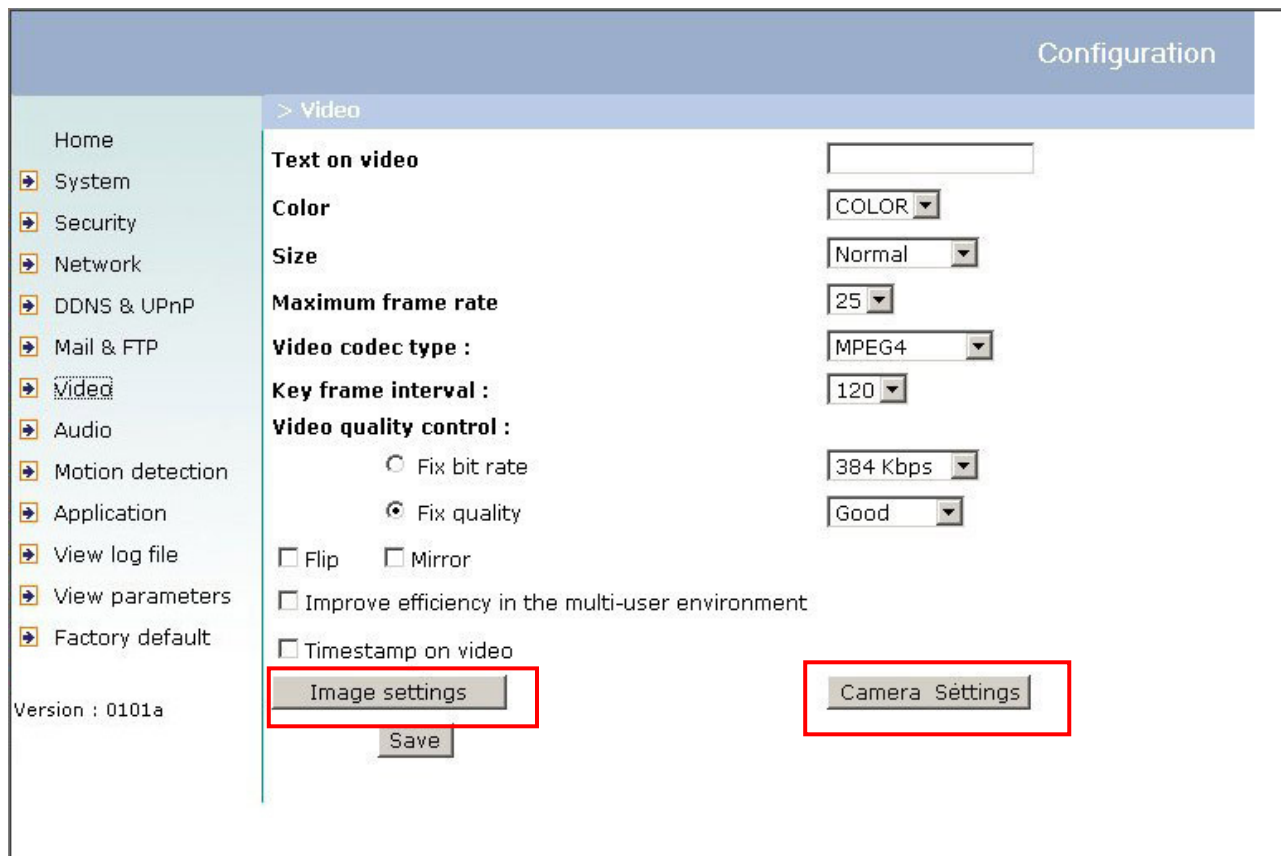
"Mirror" Horizontally rotate the video. Check options both if the Network Camera is installed upside down.

"Improve efficiency in the multi-user environment" Check this option to

improve efficiency in the multi-user environment when running in the low bandwidth environment. But it will cause each connection slow a few minutes when connection established.

“Time stamp on video” When selected the time stamp format is:

- a) “Size” becomes Normal or Double, “Text on video hh:mm:ss yyyy/mm/dd”
- b) “Size” becomes half, “hh:mm:ss yyyy/mm/dd”

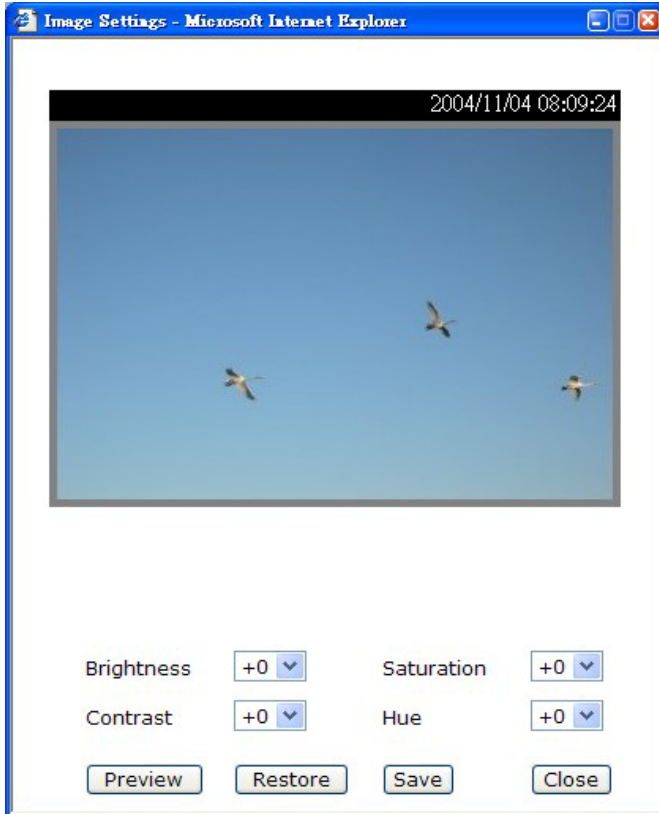


<url> <http://<Network Camera>/setup/video.vsp>

<Network Camera> is the domain name or original IP address of the Network Camera.

Image Settings

Click on "**Image Settings**" to pop up another window for tuning "**Brightness**", "**Contrast**", "**Hue**" and "**Saturation**" for video compensation.



Each field has eleven levels ranged from -5 to +5. The User may press "**Preview**" to fine-tune the image. When the image is O.K., press "**Save**" to set the image settings. Click on "**Restore**" to recall the original settings without incorporating the changes.

Camera Settings

Click on "**Camera Settings**" button, the Camera settings window will pop up.



"BLC" - back light compensation, enable this will help to identify

In the Camera Settings window, click on **"Preview"** to see the effect of changing the options. Click on **"Save"** to set the Camera Settings. Click on **"Restore"** to recall the original settings without incorporating the changes.

Audio

“Transmission mode” There are five options to select. For all the modes, only one client can talk to the server at the same time.

“Full-duplex (Talk and listen simultaneously)” In this mode, the User can talk to the server while listening sound from the server simultaneously.

“Half-duplex (Talk or listen, not at the same time)” In this mode, the User can talk to the server or listen from the server, but not at the same time.

“Simplex – Talk only” In this mode, the User can only talk to the server.

“Simplex – Listen only” In this mode, the User can only listen from the server.

“Disable” In this mode, the audio is disabled in both directions.

“Send audio from the active client to all the other clients” In half duplex transmission mode, select the option to talk to the server and broadcast your voice to all the other clients.

“Improve audio quality in low bandwidth environment” If the Network Camera works in versatile or low network bandwidth environment, the User can check this option to improving audio quality by sacrificing some real-time synchronization.

“Acoustic echo cancellation” In full-duplex mode, the server can play sound from the client and receive sound from the environment and send to client. Since the sound from the client is played by server, it will also be received by the server’s microphone and send back to client. That is the client will hear its echo. Select this option can prevent echo by sacrificing the video frame rate.

“Bit rate” There are three kinds of bit-rate for audio. 32Kbps and 24Kbps are suitable for both music and speech like audio while 8Kbps are suitable for only speech like audio.

Configuration

- Home
- System
- Security
- Network
- DDNS & UPnP
- Mail & FTP
- Video
- Audio
- Motion detection
- Application
- View log file
- View parameters
- Factory default

Version : 0101a

> Audio

Transmission mode:

- Full-duplex (Talk and listen simultaneously)
- Half-duplex (Talk or listen, not at the same time)
- Simplex (Talk only)
- Simplex (Listen only)
- Disable

Send audio from the active client to all the other clients:

- Yes (Only possible when transmission mode is half-duplex and bitrate is 8 Kbps)
- No

Improve audio quality in low bandwidth environment:

- Yes
- No

Acoustic echo cancellation:

- Enable
- Disable

Bit rate:

<url> <http://<Network Camera>/setup/audio.vsp>

<Network Camera> is the domain name or original IP address of the Network Camera.

Motion Detection

“Enable motion detection” Check this option to turn on motion detection.

New Click on this button to add a new window. At most three windows can exist simultaneously. Use the mouse to click, hold and drag the window frame to resize or the title bar to move. Clicking on the 'x' at the upper right-hand corner of the window to delete the window. Remember to save in order to validate the changes.

Save Click on this button to save the related settings. A graphic bar will rise or fall depending on the image variations. A green bar means the image variation is under monitoring level and a red bar means the image variation is over monitoring level. When the bar goes red, the detected window will also be outlined in red. Going back to the homepage, the monitored window is hidden but the red frame shows when motion is detected.

“Window Name” The text will show at the top of the window.

“Sensitivity” This sets the endurable difference between two sequential images.

“Percentage” This sets the space ratio of moving objects in the monitoring window. Higher sensitivity and small percentage will allow easier motion detection.


Home

- System
- Security
- Network
- DDNS & UPnP
- Mail & FTP
- Video
- Audio
- Motion detection**
- Application
- View log file
- View parameters
- Factory default

Version : 0101a

> Motion detection

Enable motion detection



Window Name: Private Sky

Sensitivity: 47%

Percentage: 14%

New Save

<url> <http://<Network Camera>/setup/motion.vsp>

<Network Camera> is the domain name or original IP address of the Network Camera.

Application Setup

Weekly Schedule

"Sun" ~ "Sat" Select the days of the week to perform the following operations.

"Snapshots begin at" Set the time to start operations.

"Snapshots stop at" Set the time to stop operations. Setting identical begin time and stop time means 24-hour operation.

"All the time except for the above schedule" Invert the selected schedule. The default setting of this option is checked.

"Snapshot file name prefix" Specify the prefix name for the snapshot file. Please check naming rule of snapshot file for more detail.

Event Operation

"Delay second(s) before detecting next event" Set the time delay before restarting to check on the triggering condition when the current condition is triggered.

"Send pre-event image(s) when event occurs" Specify how many pre-event snapshot will be sent if events happen.

"Trigger condition" There are four conditions relative to the digital input and three windows for motion detection. More than one condition can be selected at once. Select the appropriate digital input condition that suits the characteristics of the external device. "high", "low" selects level-triggering via external voltage input. "rising", "falling" is for edge-triggering. There are three windows for motion detection each can be assigned a name. If motion detection has not been set up, it will not be shown. If this happens, clicking on "Motion detection" and a note will show to direct the User to the configuration page for motion detection.

"Trigger action" There are four options for two types of action. More than one condition can be selected at once. While choosing to trigger an output alarm, the

digital output will short both pins and complete the external device's circuit. The normal state is open. Either email or FTP can be used to command uploading snapshots. The date and time suffix may also be added as an option. Confirm the external mail or FTP server settings in the network configuration.

"Reset output" Select and save this option to reset the external device at the digital output to return to the original state.

Sequential Operation

"Snapshot interval" The Network Camera will send snapshots at the specified intervals to the external server.

"Send snapshots by email" This selects the uploading method following the intervals set above. The snapshot will be attached in the email with the subject title "Periodic snapshots".

"Send snapshots by FTP" The snapshots will be uploaded to the external FTP server with the file name defined in the next option. This can also be used to refresh the captured images stored in the external web server to build creative homepages.

"FTP put snapshots with date and time suffix" This option sets up the snapshot capture date and time, which can be used to easily differentiate the snapshot file names in either the sequential or event operation. Please check naming rule of snapshot file for more detail.

Naming rule of snapshot file

Assume the Snapshot file name prefix is <prefix>

Method	with date and time suffix	Sequential	Event
FTP	Yes	<prefix>_20050107175903.jpg	<prefix>_20050107180653_1_pre.jpg <prefix>_20050107180654_2_pre.jpg <prefix>_20050107180655_3_pre.jpg <prefix>_20050107180659_4_trg.jpg <prefix>_20050107180700_5_pos.jpg (according to the sending order)
	No	<prefix>.jpg	<prefix>_1_pre.jpg <prefix>_2_pre.jpg <prefix>_3_pre.jpg <prefix>_4_trg.jpg <prefix>_5_pos.jpg (according to the sending order)
Email	N.A	<prefix>.jpg Example: *** Periodic snapshots *** From: http://192.168.1.53 <prefix>.jpg: 2005/01/07 17:59:45 Note: Network Camera	<prefix>_1_pre.jpg <prefix>_2_pre.jpg <prefix>_3_pre.jpg <prefix>_4_trg.jpg <prefix>_5_pos.jpg Example: *** Event snapshots: Motion detected *** From: http://192.168.1.53 <prefix>_1_pre.jpg 2005/01/07 18:09:16 <prefix>_2_pre.jpg 2005/01/07 18:09:17 <prefix>_3_pre.jpg 2005/01/07 18:09:18 <prefix>_4_trg.jpg 2005/01/07 18:09:19 <prefix>_5_pos.jpg 2005/01/07 18:09:20 Note: Network Camera

Configuration

> Application

Home

- [System](#)
- [Security](#)
- [Network](#)
- [DDNS & UPnP](#)
- [Mail & FTP](#)
- [Video](#)
- [Audio](#)
- [Motion detection](#)
- [Application](#)
- [View log file](#)
- [View parameters](#)
- [Factory default](#)

Version : 0101a

Weekly schedule

Sun Mon Tue Wed Thu Fri Sat

snapshots begin at [hh:mm:ss]

snapshots stop at [hh:mm:ss]

All the time except for the above schedule

Snapshot file name prefix

Event operation

General

Delay second(s) before detecting the next event

Send pre-event image(s) when event occurs

Trigger condition

Input is high Input is low

Input is rising Input is falling

Detect motion in :

Note: Motion detection must be setup first

Trigger action

Trigger output alarm while input condition matched

Trigger output alarm while motion detected

Upload snapshots while input condition matched

Upload snapshots while motion detected

Reset output

Sequential operation

Snapshot interval: Second(s)

Send snapshots by email

Send snapshots by FTP

FTP put snapshots with date and time suffix

<url> http://<Network Camera>/setup/app.vspix

<Network Camera> is the domain name or original IP address of the Network Camera.

Viewing System Log

Click on the link on the configuration page to view the system log file. The content of the file provides useful information about configuration and connections after system boot-up.

Viewing System Parameters

Click on this link on the configuration page to view the entire system's parameter set. The content is the same as those in CONFIG.INI.

Factory Default

"Factory default"

Click on this link on the configuration page to restore factory default settings. Any changes made so far will be lost and the system will be reset to the initial factory settings. After clicking on the "Restore" button and make confirmation, the system will restart and require the installer program to set up the network again.

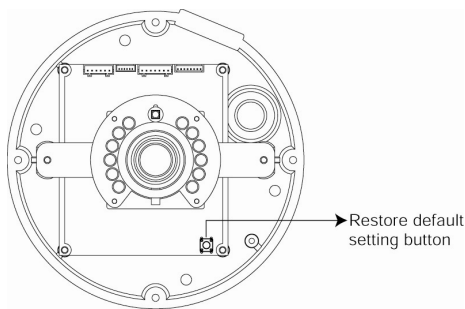
Appendix


A. Troubleshooting

Status LED

After powering up, the Network Camera performs a self-diagnostic to detect any hardware defects. The following table lists the LED patterns in general. In case of any fatal error, the LED will blink in a pattern other than those below.

Condition	LED Color
During self-diagnostic after power on	Blinking in interchanged Green and Red
After power on and before network is setup	Red LED is constantly ON and Green LED is OFF
After network is setup	Red LED is constantly ON and Green LED blinking every 0.5 second
Ethernet signal is lost	Red LED is constantly ON and Green LED is OFF
No audio or speak only	Red LED is constantly ON and Green LED blinking every second



 Restoring the factory defaults will erase any previous settings. Reset or restore the system after power on.

Reset and Restore

There is a button on the main board of the camera inside the dome body as shown in the picture. It is used to reset the system or restore the factory default settings. Sometimes resetting the system sets the system back to normal state. If the system problems remain after reset, restore the factory settings and install again.

RESET: Press the button once.

RESTORE: 1. Press the button continuously.

2. Plug in the power and wait for the self-diagnostic.

3. Release the button after both LEDs shut off..

B. Frequently Asked Questions

Q What if I forget my password?

A After the Administrator's password has been assigned, every access to the Network Camera needs authentication. If you are one of the managed users, you have to ask the Administrator for the password. If you are the Administrator, there is no way to recover the root password except by restoring the factory default settings. Refer to Appendix A for the procedures.

Q Why can I not watch video from the Network Camera after it is authenticated?

A There are many possible scenarios regarding this problem,

1. If you have just installed the Network Camera and are unable to watch the video, check if the heartbeat LED is blinking or the lens cap is off. If the heartbeat LED is dim, perform the software installation again.
2. If the Network Camera is well installed and you are accessing the Network Camera for the first time using Internet Explorer, adjust the security level of Internet Explorer to allow installation of plug-ins.
3. If the problem still exists after adjusting, and the message over the image window is showing "connecting", the network traffic may be too crowded.
4. If there is only "A" shown below the image, check the media options in client settings containing video.

Q What is the plug-in for?

A The plug-in provided by the Network Camera is used to display motion pictures and audio in Internet Explorer. If your system does not allow installation of any plug-in software, the security level of the web browser may need to be lowered. It is recommended that you consult your network supervisors in your office regarding adjustment of the security level. Software installation may be regulated in some offices.

Q Why is the timestamp different from the system time of my PC or notebook?

A The timestamp is based on the system time of the Network Camera. It is maintained by a real-time clock inside and can be automatically synchronized with

the time-server if the Network Camera is connected to the Internet and the function is enabled. Differences of several hours may result from the time zone setting.

Q Can I install it on ceiling?

A Yes. There are flip and mirror options in video configuration page to correct the images for upside down installation.

Q The image is not clear enough.

A The image settings and white balance can be fine tuned to achieve the best visual effect. Also notice the power line frequency must match the local utility to synchronize and minimize the effect of flickering florescent lights.

Q Why does the image not refresh regularly?

A Some anti-virus programs filter the received web content. It takes time to perform data examination and affect the streaming application such as that of Network Camera. However, it only affects the HTTP mode of Network Camera. If the network allows only HTTP mode, disable the web filtering function of the anti-virus program temporarily. During this period, the User should be aware of the risk of malicious network activity.

Q I have opened motion detection windows but it cannot work.

A If the motion detection windows are set up and names are given, check to see if the function is checked on the first line. While it is enabled, adjust the sensitivity and percentage to monitor the level indicator for best results.

Q I cannot hear any sound while watching.

A If there is "V" shown below the image, check the sound card in your PC and make sure media options in client settings containing audio. If "AV" is shown, check the audio source of the Network Camera, make sure you are using internal or external microphone.

Q How many users are allowed to watch the Network Camera at the same time?

A Too many users requesting the real-time multimedia content will jam the network.

For best results, the Network Camera is designed to accommodate a maximum of ten (10) users to watch and listen for streaming video and audio at the same time. For a larger number of users, it is recommended to build another web server to host the retrieved contents from the Network Camera.

Q How fast is the video rate of the Network Camera?

A The MPEG4 codec engine can process up to 30 frames per second internally. However the total performance is subject to many coefficients such as:

1. Network throughput,
2. Bandwidth share,
3. Number of users,
4. The complicated/detailed objects and movement in view,
5. The power of your PC or notebook that is responsible for displaying images.

In general, the transfer rate in a general local network environment can achieve over 200 kilobytes per second and approximately 10 to 20 pictures per second from a regular environment.

Q How can I keep the Network Camera as private as possible?

A The Network Camera is designed for surveillance purposes and has many flexible interfaces. The user authentication and special confirmation in installation can keep the Network Camera from unauthorized access. You may also change the HTTP port to a non-public number. The demo account is good to separate guests from normal users and thus you can easily block guests anytime. You can check the system log to examine any abnormal activities and trace the origins.

Q Why can I not access the Network Camera when I setup some options in the application?

A Since the Network Camera is a "network camera", any incorrect network settings will make it inaccessible. If this happens, restore the factory default settings following the procedures in Appendix A.

C. URL commands of Network Camera

For some customers who already have their own web site or web control application, Network Camera can be easily integrated through convenient URLs. This section lists the commands in URL format corresponding to the basic functions of Network Camera.

Overview

This section specifies the external HTTP based application programming interface. The HTTP based camera interface provides the functionality to request a single image, to control camera functions (output relay etc.) and to get and set internal parameter values. The image and CGI-requests are handled by the built in Web server.

Style convention

In URL syntax and in descriptions of CGI parameters, a text in italic within angle brackets denotes a content that is to be replaced with either a value or a string. When replacing the text string also the angle brackets shall be replaced. An example of this is the description of the name for the server, denoted with <servername> in the URL syntax description below, that is replaced with the string myserver in the URL syntax example, also below.

URL syntax' are written with the "**Syntax:**" word written in bold face followed by a box with the referred syntax as seen below. The name of the server is written as <servername>. This is intended to be replaced with the name of the actual server. This can either be a name, e.g., "mywebcam" or "thecam.adomain.net" or the associated IP number for the server, e.g., 192.168.0.220.

Syntax:

<a href="http://<servername>/cgi-bin/video.jpg">http://<servername>/cgi-bin/video.jpg

Description of returned data is written with "**Return:**" in bold face followed by the returned data in a box. All data returned as HTTP formatted, i.e., starting with the string HTTP is line separated with a Carriage Return and Line Feed (CRLF) printed as \r\n.

Return:

```
HTTP/1.0 <HTTP code> <HTTP text>\r\n
```

URL syntax examples are written with "**Example:**" in bold face followed by a short description and a light grey box with the example.

Example: request a single snapshot image

```
http://mywebserver/cgi-bin/video.jpg
```

General CGI URL syntax and parameters

CGI parameters are written in lower-case and as one word without any underscores or other separators. When the CGI request includes internal camera parameters, the internal parameters must be written exactly as they are named in the camera or video server. The CGIs are organized in function related directories under the cgi-bin directory. The file extension of the CGI is required.

Syntax:

```
http://<servername>/cgi-bin/<subdir>[/<subdir>...]/<cgi>.<ext>  
[?<parameter>=<value>[&<parameter>=<value>...]]
```

Example: Setting digital output #1 to high

```
http://mywebserver/cgi-bin/setparam.cgi?do1=h
```

Get server parameter values

Note: This request require administrator access

Method: GET/POST

Syntax:

```
http://<servername>/cgi-bin/admin/getparam.cgi?[<parameter>]
[&<parameter>...]
```

where the *<parameter>* should be *<group>[_<name>]* or *<group>[.<name>]* If you do not specify the any parameters, all the parameters on the server will be returned. If you specify only *<group>*, the parameters of related group will be returned.

When query parameter values, the current parameter value are returned.
Successful control requests returns paramter pairs as follows.

Return:

```
HTTP/1.0 200 OK\r\n
Content-Type: text/html\r\n
Context-Length: <length>\r\n
\r\n
<parameter pair>
```

where *<parameter pair>* is
<parameter>=<value>\r\n
[<parameter pair>]

<length> is the actual length of content.

Example: request IP address and it's response

Request:

```
http://192.168.0.123/cgi-bin/admin/getparam.cgi?network_ipaddress
```

Response:

```
HTTP/1.0 200 OK\r\n
Content-Type: text/html\r\n
Context-Length: 33\r\n
\r\n
network.ipaddress=192.168.0.123\r\n
```

Set server parameter values

Note: This request require administrator access

Method: GET/POST

Syntax:

```
http://<servername>/cgi-bin/admin/setparam.cgi?
[nosync=<value>&]<parameter>=<value>
[&<parameter>=<value>...][&return=<return page>]
```

parameter	value	description
nosync	0, 1	Specifies that there should be no sync (write) of the corresponding configuration file on flash. If parameter is omitted, a sync write will occur. <i>(note: this parameter must be put at begin of parameter list)</i>
<group>_<name>.	value assigned to	Assign <value> to the parameter <group>_<name>..
return	<return page>	Redirect to the page <return page> after the parameter is assigned. The <return page> can be a full URL path or relative path according the the current path. If you omit this parameter, it will redirect to an empty page. (note: The return page can be a general HTML file(.htm, .html) or a Vivotek server script executable (.vspj) file. It can not be a CGI command. It can not have any extra parameters. This parameter must be put at end of parameter list)

Return:

```
HTTP/1.0 200 OK\r\n
Content-Type: text/html\r\n
Context-Length: <length>\r\n
\r\n
<parameter pair>
```

where <parameter pair> is

<parameter>=<value>\r\n

[<parameter pair>]

Only the parameters that you set and readable will be returned.

Example: Set the IP address of server to 192.168.0.123

Request:

http://myserver/cgi-bin/admin/setparam.cgi?Network_IPAddress=192.168.0.123

Response:

```
HTTP/1.0 200 OK\r\n
Content-Type: text/html\r\n
Context-Length: 33\r\n
\r\n
network.ipaddress=192.168.0.123\r\n
```

Available parameters on the server

NOTE: The bold characters in table are the default value of each parameter.

Group: **System**

NAME	VALUE	DESCRIPTION
hostname (r/w)	<text string shorter than 40 characters>	host name of server <<Wireless>Network Camera <with Pan/Tilt/<Zoom>>>
ledoff (r/w)	0	Do not turn off the led indicator
	1	Turn off the led indicator

date (r/w)	<yyyy/mm/dd>	year, month and date separated by slash.
	<keep>	keep date unchanged
	<auto>	Using NTP to sync date/time automatically
time (r/w)	<hh:mm:ss>	hour, minute and second separated by colon.
	<keep>	keep date unchanged
	<auto>	Using NTP to sync date/time automatically
ntp (r/w)	<domain name or IP address>	NTP server <skip to invoke default server>
timezone (r/w)	-12 ~ 12	time zone, 8 means GMT +8:00 <8>
updateinterval (r/w)	0 ~ 2592000	0 to Disable automatic time adjustment, otherwise, it means the seconds between NTP automatic update interval. <0>
serialnumber (r)	<mac address>	12 characters mac address without hyphen connected
firmwareversion (r)	<text string shorter than 39 characters>	The version of firmware, including model, company, and version number
restore (w)	0	Restore the system parameters to default value.
	Positive integer	Restore the system parameters to default value and restart the server after <value> seconds.
reset (w)	0 ~ 65535	Restart the server after <value> seconds.
	-1	Not restart the server.

do<1~4> (w)	<state>	H – NC connected with COMMON L – NO connected with COMMON
di<1~4> (r)	<state>	H – NC connected with COMMON L – NO connected with COMMON
supportscriptversion (r)	<text string shorter than 10 characters>	The version of supported script/webpage
scriptversion	<text string shorter than 10 characters >	The maximum version of currently installed script/webpage
language	<text string shorter than 16 characters>	The webpage language
webpageversion	<text string shorter than 39 characters>	The version of webpage
enableir(r/w)	0	Turn on the IR control
	1	Turn off the IR control
ptzenabled (r)	32-bit integer	Indicate the operations of camera supported

Group: **Security**

NAME	VALUE	DESCRIPTION
username_<1~20> (r/w)	<text string shorter than 16 characters>	change user name. <blank>
userpass_<0~20> (r/w)	<text string shorter than 14 characters>	change user's password. The UserPass_0 is root's password. <blank>
userattr_<1~20> (r/w)	[dido][talk][listen][conf]	change user's privilege. The privilege can be the combination of dido – Permit I/O access talk – Permit to talk to server listen – Permit to listen from server conf – Permit to change server's configuration

		<blank>
usercount (r)	1 ~ 21	The current account number on the server including root. <1>

Group: **Network**

NAME	VALUE	DESCRIPTION
resetip (r/w)(restart)	1	enable to get ipaddress, subnet, router, dns1, dns2 from DHCP server at next reboot
	0	Using preset ipaddress, subnet, router, dns1, dns2
ipaddress (r/w) (restart)	<IP address>	IP address of server <192.168.0.99>
subnet (r/w) (restart)	<IP address>	subnet mask <255.255.255.0>
router (r/w) (restart)	<IP address>	default gateway <blank>
dns1 (r/w) (restart)	<IP address>	primary DNS server <blank>
dns2 (r/w) (restart)	<IP address>	secondary DNS server <blank>
smtp1 (r/w)	<domain name or IP address, string shorter than 40 characters>	primary SMTP server <blank>
mailto1 (r/w)	<string shorter than 80 characters>	mail recipient address <blank>
mailuser1 (r/w)	<text string shorter than 63 characters>	User name of primary smtp server <blank>
mailpass1 (r/w)	<text string shorter than 15 characters>	Password of primary smtp server <blank>
smtp2 (r/w)	<domain name or IP address, string shorter	secondary SMTP server <blank>

	than 40 characters>	
mailto2 (r/w)	<text string shorter than 80 characters>	mail recipient address <blank>
mailuser2 (r/w)	<text string shorter than 63 characters>	User name of secondary smtp server <blank>
mailpass2 (r/w)	<text string shorter than 15 characters>	Password of secondary smtp server <blank>
returnemail (r/w)	<text string shorter than 80 characters>	return email address <blank>
localftpport (r/w)	<positive number less than 65535>	FTP port <21>
ftp1 (r/w)	<domain name or IP address, string shorter than 40 characters >	primary FTP server <blank>
ftpport1 (r/w)	<positive number less than 65535>	primary FTP port <21>
ftpuser1 (r/w)	<text string shorter than 63 characters>	user name for primary FTP server <blank>
ftppass1 (r/w)	<text string shorter than 15 characters>	password for primary FTP server <blank>
ftpfolder1 (r/w)	<text string shorter than 40 characters>	upload folder in primary FTP server <blank>
ftppasvmode1 (r/w)	1	Enable passive mode of primary FTP server
	0	Disable passive mode of primary FTP server
ftp2 (r/w)	<domain name or IP address, string shorter than 40 characters >	secondary FTP server
ftpport2 (r/w)	<positive number less than 65535>	secondary FTP port <21>
ftpuser2 (r/w)	<text string shorter than 63 characters>	user name for secondary FTP server <blank>

ftppass2 (r/w)	<text string shorter than 15 characters>	password for secondary FTP server <blank>
ftpfolder2 (r/w)	<text string shorter than 40 characters>	upload folder in secondary FTP server <blank>
ftppasvmode2 (r/w)	1	Enable passive mode of primary FTP server
	0	Disable passive mode of primary FTP server
httpport (r/w) (restart)	<positive number less than 65535>	HTTP port <80>
videoport (r/w) (restart)	<positive number less than 65535>	video Channel port for UDP <5003>
audioport (r/w) (restart)	<positive number less than 65535>	audio Channel port for UDP <5002>

Group: **Video**

NAME	VALUE	DESCRIPTION
text (r/w)	<text string shorter than 14 characters>	enclosed caption <blank>
codectype (r/w)	0	MPEG4
	1	MJPEG
keyinterval (r/w)	1, 3, 5, 10, 30, 60, 90, 120	Key frame interval <120>
size (r/w)	1	half
	2	half x 2
	3	normal
	4	normal x 2
	5	double
color (r/w)	0	monochrome
	1	color
quality (r/w)	0	fix bit rate
	1	fix quantization
quant	1	lowest quality of video

(r/w)	2	lower quality of video
	3	normal quality of video
	4	higher quality of video
	5	highest quality of video
bitrate (r/w)	64000	set bit rate to 64K bps
	128000	set bit rate to 128K bps
	256000	set bit rate to 256K bps
	384000	set bit rate to 384K bps
	512000	set bit rate to 512K bps
	768000	set bit rate to 768K bps
	1000000	set bit rate to 1000K bps
	1200000	set bit rate to 1200K bps
maxframe (r/w)	1	set maximum frame rate to 1 fps
	2	set maximum frame rate to 2 fps
	3	set maximum frame rate to 3 fps
	5	set maximum frame rate to 5 fps
	10	set maximum frame rate to 10 fps
	15	set maximum frame rate to 15 fps
	20	set maximum frame rate to 20 fps
	25	set maximum frame rate to 25 fps
	30 (for NTSC only)	set maximum frame rate to 30 fps
modulation (r/w)(in server version only) (restart)	0	NTSC
	1	PAL
	2	AUTO
actualmodulation (r) (in built-in CCD version only)	0	NTSC
	1	PAL
flip (r/w)	1	flip image
	0	normal image
mirror	1	mirror image

(r/w)	0	normal image
imprnttimestamp	1	Overlay time stamp on video
(r/w)	0	Do not overlay time stamp on video
udpslowstart	1	Enable udp slow start
	0	Disable udp slow start

Group: **Audio**

NAME	VALUE	DESCRIPTION
bitrate (r/w)	8000	set bitrate to 8K bps
	24000	set bitrate to 24K bps
	32000	set bitrate to 32K bps
transfermode (r/w)	0	Full-duplex (Talk & Listen simultaneously)
	1	Half-duplex (Talk or Listen, not at the same time)
	2	Simplex – Talk only
	3	Simplex – Listen only
	4	Disable audio
sendclientaudio (r/w)	0	Do not send audio from active client to all other clients
	1	Send audio from active client to all other clients (only possible in Half-duplex)
source (r/w)	0	Use external microphone in
	1	Use build microphone
lowbandwidth (r/w)	0	Disable low bandwidth environment support
	1	Improve in low bandwidth environment
enableaec (r/w)	0	Disable
	1	Enable

Group: **Image**

NAME	VALUE	DESCRIPTION
brightness	<-5 ~ 5>	Adjust brightness of image according to

(r/w)		mode settings. <0>
saturation (r/w)	<-5 ~ 5>	Adjust saturation of image according to mode settings. <0>
contrast (r/w)	<-5 ~ 5>	Adjust contrast of image according to mode settings. <0>
hue (r/w)	<-5 ~ 5>	Adjust hue of image according to mode settings. <0>
mode (w)	Preview	Apply the parameter of image but not save
	Restore	Restore the last saved image parameters
	Save	Directly save the adjust image parameters

Group: **CCD**

NAME	VALUE	DESCRIPTION
enableblc (r/w)	0	Turn off backlight compensation
	1	Turn on backlight compensation
	1	Set auto gain control to MAX level
mode (w)	Preview	Apply the parameter of image but not save
	Restore	Restore the last saved image parameters
	Save	Directly save the adjust image parameters

Group: **Motion**

NAME	VALUE	DESCRIPTION
enabled (r/w)	0	disable motion detection
	1	enable motion detection
winenabled_<1~3> (r/w)	0	disable motion window #1
	1	enable motion window #1

winname_<1~3> (r/w)	<text string shorter than 14 characters >	name of motion window #1 <blank>
winleft_<1~3> (r/w)	0 ~ 352 for CCD 0 ~ 320 for CMOS	Left coordinate of window position. <0>
wintop_<1~3> (r/w)	0 ~ 288 for PAL 0 ~ 240 for NTSC & CMOS	Top coordinate of window position. <0>
winwidth_<1~3> (r/w)	0 ~ 352 for CCD 0 ~ 320 for CMOS	Width of motion detection window. <0>
winheight_<1~3> (r/w)	0 ~ 288 for PAL 0 ~ 240 for NTSC & CMOS	Height of motion detection window. <0>
winobjsize_<1~3> (r/w)	0 ~ 100	Percent of motion detection window <0>
winsensitivity_<1~3> (r/w)	0 ~ 100	Sensitivity of motion detection window <0>
update (w)	1	Update the above motion detection settings to take effect

Group: **DDNS**

NAME	VALUE	DESCRIPTION
enable (r/w)	0, 1	Enable or disable the dynamic dns. <0>
provider (r/w)	1 ~ 4	dyndns.org (dynamic) dyndns.org (custom) tzo.com dhs.org <1>
hostname (r/w)	Text string shorter than 127 characters.	Your dynamic hostname. <blank>
usernameemail	Text string shorter than	Your user or email to login ddns service

(r/w)	63 characters.	provider <blank>
passwordkey (r/w)	Text string shorter than 20 characters.	Your password or key to login ddns service provider <blank>
update (w)	0, 1	Update the above ddns settings to take effect

Group: **UPNP**

NAME	VALUE	DESCRIPTION
enable (r/w)	0, 1	Enable or disable the UPNP service. <1>

Group: **App**

NAME	VALUE	DESCRIPTION
scriptname (r/w)	<text string shorter than 255 characters>	File name of script <script.vssx>
enablescript (r/w)	0	Disable script
	1	Enable script

Group: **Feature**

NAME	VALUE	DESCRIPTION
event (r/w)	0	
	1	support motion detection/dido/video loss information in video bitstream

Application page CGI command

Note: This request requires administrator privilege.

Method: GET/POST

Syntax:

```

http://<servername>/setup/app.vspcx?[method=<value>][&sun=<value>]
[&mon=<value>]
[&tue=<value>][&wed=<value>][&thu=<value>][&fri=<value>][&sat=<value>]
[&begin_time=<value>][&end_time=<value>][&exclude=<value>]
[&eventop=<value>]
[&delay=<value>][&prevnum=<value>][&ssfprefix=<value>][&dihigh=<value>]
[&dilow=<value>][&dirise=<value>][&difall=<value>][&motion1=<value>]
[&motion2=<value>][&motion3=<value>][&ioalarm=<value>]
[&mdalarm=<value>]
[&ioupload=<value>][&mdupload=<value>][&seqop=<value>][&sinter=<value>]
[&smethod=<value>][&suffix=<value>][&resetdo=<value>]

```

Return:

```

HTTP/1.0 200 OK\r\n
Content-Type: text/plain\r\n
Content-Length: <length>\r\n
\r\n
<depends on method value>
If(method == get || method == set)
{
  tue=<value>\r\n
  wed=<value>\r\n
  ...
}
Else if(method == normal)
{
  Application page contents
}

```

parameter	Value	description
-----------	-------	-------------

method	get	Get parameters, if no parameter followed, all the parameters value will be listed. Otherwise, it will list followed parameter value.
	set	Set parameters
	normal	Display normal application page contents
sun	0/1	Disable/Enable Sunday weekly schedule check box
mon	0/1	Disable/Enable Monday weekly schedule check box
tue	0/1	Disable/Enable Tuesday weekly schedule check box
wed	0/1	Disable/Enable Wednesday weekly schedule check box
thu	0/1	Disable/Enable Thursday weekly schedule check box
fri	0/1	Disable/Enable Friday weekly schedule check box
sat	0/1	Disable/Enable Satday weekly schedule check box
begin_time	hh:mm:ss	Begin time of weekly schedule
end_time	hh:mm:ss	End time of weekly schedule
exclude	0/1	Disable/Enable all the time except for the above schedule check box
eventop	0/1	Disable/Enable Event operation
delay	1~999	Delay seconds before detect next event
prevnum	0~6	Number of pre-trigger event images
ssfprefix	<text string shorter than 60 characters>	Snapshot file name prefix for both event and sequential operation
dihigh	0/1	Enable/Disable trigger when input is high
dilow	0/1	Enable/Disable trigger when input is low

dirise	0/1	Enable/Disable trigger when input is rising
difall	0/1	Enable/Disable trigger when input is falling
motion1	0/1	Enable/Disable trigger when motion int window #1 is detected
motion2	0/1	Enable/Disable trigger when motion int window #2 is detected
motion3	0/1	Enable/Disable trigger when motion int window #3 is detected
ioalarm	0/1	Enable/Disable DO trigger when DI condition matched
mdalarm	0/1	Enable/Disable DO trigger when motion detection condition matched
ioupload	0/1	Enable/Disable upload snapshot when DI condition matched
mdupload	0/1	Enable/Disable upload snapshot when motion detection condition matched
seqop	0/1	Enable/Disable sequential operation
sinter	1 ~ 99999	Interval of sequential snapshot in second
smethod	<i>mail</i>	Send snapshot by e-mail
	<i>ftp</i>	Send snapshot by ftp
suffix	0/1	Enable/Disable FTP put snapshots with date and time suffix
resetdo	0/1	Reset/No reset DO when click save button

Example: Enable sequential send snapshot by every 1 second with email.

<http://myserver/setup/app.vsp?method=set&exclude=1&eventop=0&seqop=1&smethod=mail&sinter=1>

Drive the digital output

Note: This request requires the privilege of I/O access control.

Method: GET/POST

Syntax:

```
http://<servername>/cgi-bin/setdo.cgi?do1=<state>[&do2=<state>]  
[&do3=<state>][&do4=<state>][&return=<return page>]
```

Where state is H, L. H means NC (normal close) connected with COMMON and L means NO (normal open) connected with COMMON. The number of DO dependents on the server type.

parameter	Value	description
do<num>	<state>	H – NC connected with COMMON
		L – NO connected with COMMON
return	<return page>	Redirect to the page <return page> after the parameter is assigned. The <return page> can be a full URL path or relative path according the the current path. If you omit this parameter, it will redirect to an empty page.

Example: Drive the digital output 1 to high and redirect to an empty page

```
http://myserver/cgi-bin/setdo.cgi?do1=H
```

Query status of the digital input

Note: This request requires the privilege of I/O access control.

Method: GET/POST

Syntax:

```
http://<servername>/cgi-bin/getdi.cgi?[di1][&di2][&di3][&di4]
```

If no parameter is specified, all the status of digital input will be returned.

Return:

```
HTTP/1.0 200 OK\r\n
Content-Type: text/plain\r\n
Content-Length: <length>\r\n
\r\n
[di1=<state>]\r\n
[di2=<state>]\r\n
[di3=<state>]\r\n
[di4=<state>]\r\n
```

where <state> can be H or L.

Example: Query the status of digital input 1

Request:

<http://myserver/cgi-bin/getdi.cgi?di1>

Response:

```
HTTP/1.0 200 OK\r\n
Content-Type: text/plain\r\n
Content-Length: 7\r\n
\r\n
di1=H\r\n
```

Query status of the digital output

Note: This request requires the privilege of I/O access control.

Method: GET/POST

Syntax:

```
http://<servername>/cgi-bin/getdo.cgi?[do1][&do2][&do3][&do4]
```

If no parameter is specified, all the status of digital output will be returned.

Return:

```
HTTP/1.0 200 OK\r\n
```

```
Content-Type: text/plain\r\nContent-Length: <length>\r\n\r\n[do1=<state>]\r\n[do2=<state>]\r\n[do3=<state>]\r\n[do4=<state>]\r\n
```

where <state> can be H or L.

Example: Query the status of digital output 1

Request:

<http://myserver/cgi-bin/getdo.cgi?di1>

Response:

```
HTTP/1.0 200 OK\r\nContent-Type: text/plain\r\nContent-Length: 7\r\n\r\ndo1=H\r\n
```

Capture single snapshot

Note: This request require normal user privilege

Method: GET/POST

Syntax:

<http://<servername>/cgi-bin/video.jpg>

Server will return the most up-to-date snapshot in JPEG format. The size and quality of image will be set according to the JPEG settings on the server.

Return:

```
HTTP/1.0 200 OK\r\n
```

```
Content-Type: image/jpeg\r\n
[Content-Length: <image size>\r\n

<binary JPEG image data>
```

Account management

Note: This request requires administrator privilege

Method: GET/POST

Syntax:

```
http://<servername>/cgi-bin/admin/editaccount.cgi?
method=<value>&username=<name>[&userpass=<value>][&privilege=<value>]
[&privilege=<value>][...][&return=<return page>]
```

parameter	value	description
method	add	Add an account to server. When using this method, "username" field is necessary. It will use default value of other fields if not specified.
	delete	Remove an account from server. When using this method, "username" field is necessary, and others are ignored.
	edit	Modify the account password and privilege. When using this method, "username" field is necessary, and other fields are optional. If not specified, it will keep original settings.
username	<name>	The name of user to add, delete or edit
userpass	<value>	The password of new user to add or that of old user to modify. The default value is an empty string.

privilege	<value>	The privilege of user to add or to modify. The privilege can be the addition of the following values. Ex: A user with DI/DO access and listen privilege can be assigned privilege as privilege=dido&privilege=listen .
	dido	DI/DO access privilege
	listen	listen privilege
	talk	talk privilege
	camctrl	camera control privilege (support only on PT(Z) version)
	conf	configuration privilege
return	<return page>	Redirect to the page <return page> after the parameter is assigned. The <return page> can be a full URL path or relative path according the the current path. If you omit this parameter, it will redirect to an empty page.

System logs

Note: This request require administrator privilege

Method: GET/POST

Syntax:

<http://<servername>/cgi-bin/admin/syslog.cgi>

Server will return the up-to-date system log.

Return:

```
HTTP/1.0 200 OK\r\n
Content-Type: text/plain\r\n
```

```
Content-Length: <syslog length>\r\n\r\n<system log information>\r\n
```

Configuration file

Note: This request requires administrator privilege

Method: GET/POST

Syntax:

```
http://<servername>/cgi-bin/admin/configfile.cgi
```

Server will return the up-to-date configuration file.

Return:

```
HTTP/1.0 200 OK\r\nContent-Type: text/plain\r\nContent-Length: <configuration file length>\r\n\r\n<configuration data>\r\n
```

System Information

Note: This request requires normal user privilege

Method: GET/POST

Syntax:

```
http://<servername>/cgi-bin/sysinfo.cgi
```

Server will return the system information.

Return:

```
HTTP/1.0 200 OK\r\n
Content-Type: text/plain\r\n
Content-Length: <system information length>\r\n
\r\n
Model=<model name of server>\r\n
HostName=<host name of server>\r\n
Location=<video on text of server>\r\n
[Preset<0>=<first preset location>\r\n]
[Preset<1>=<second preset location>\r\n]
[...]\r\n
PTZEnabled=<PTZ status>\r\n
```

Where the <PTZ status> is a 32-bits integer, each bit can be set separately as follows:

- Bit 0 => Support camera control function 0(not support), 1(support)
- Bit 1 => **Build-in** or **external** camera. 0(external), 1(build-in)
- Bit 2 => Support **pan** operation. 0(not support), 1(support)
- Bit 3 => Support **tilt** operation. 0(not support), 1(support)
- Bit 4 => Support **zoom** operation. 0(not support), 1(support)
- Bit 5 => Support **focus** operation. 0(not support), 1(support)

D. Technical Specifications

- System

CPU: Trimedia PNX1300
RAM: 16MB SDRAM
ROM: 4MB FLASH ROM

- Networking

Protocol

TCP/IP, HTTP, SMTP, FTP, Telnet, NTP, DNS UPnP, DDNS and DHCP

Physical

10BaseT Ethernet or 100BaseT Fast Ethernet
Auto negotiation

- Video

Algorithm supported

MPEG4 simple profile/MJPEG selectable
JPEG for still image

Features

Adjustable image size, quality and bit rate
Timestamp and text overlay
3 motion detection windows

Resolution

Up to 30/25 frames at 176x120 or 176x144
Up to 30/25 frames at 352x240 or 352x288
Up to 15/12 frames at 704x480 or 704x576

- Camera specification

1/3 inch color Hi-res. SONY CCD sensor, 520 TV lines

0 Lux when IR on; IR distance: 10M

Built-in removable IR cut filter

AGC, AWB, BLC

Electronic shutter: 1/60(1/50) to 1/100,000 sec

- Lens

Vari-focal auto iris 3.6~9.0mm

- Audio

32Kbps, 24Kbps, 8Kbps
Acoustic echo cancellation
Full duplex audio communication

- General I/O

1 sensor input max.12VDC 50mA
1 relay output max. 24VDC 1A, 125VAC 0.5A

- LED indicator

System power and status indicator
System activity and Network link indicator

- Weight

NET. 1070g

- Dimension

137 mm(D) * 110mm(H)

- Power

Consumption: MAX 7.2 W
Adapter input: 100-240VAC, 50/60Hz, 0.4A
Adapter output: 12VDC, 1.5A

- Operating Environment

Temperature: 0-50°C/32-122°F

Humidity: 95%RH

- EMI & Safety

CE, FCC, LVD

- Viewing system requirement

Operating System

Microsoft Windows 98SE/ME/2000/XP

Browser

Internet Explorer 5.x or above

Electromagnetic Compatibility (EMC)

This device complies with FCC Rules Part 15. Operation is subject to the following two conditions.

This device may not cause harmful interference, and

This device must accept any interference received, including interference that may cause undesired operation.

This equipment has been tested and found to comply with the limits for a Class B digital device, pursuant to Part 15 of the FCC Rules. These limits are designed to provide reasonable protection against harmful interference in a residential installation. This equipment generates, uses, and can radiate radio frequency energy and, if not installed and used in accordance with the instructions, may cause harmful interference to radio communications. However, there is no guarantee that interference will not occur in a partial installation. If this equipment does cause harmful interference to radio or television reception, which can be determined by turning the equipment off and on, the user is encouraged to try to correct the interference by one or more of the following measures:

- Reorient or relocate the receiving antenna.
- Increase the separation between the equipment and receiver.
- Connect the equipment into an outlet on a circuit different from that to which the receiver is connected.
- Consult the dealer or an experienced radio/TV technician for help.

Shielded interface cables must be used in order to comply with emission limits.

Europe CE - This digital equipment fulfills the requirement for radiated emission according to limit B of EN55022/1998, and the requirement for immunity according to EN50082-1/1992.

Liability

Vivotek Inc. cannot be held responsible for any technical or typographical errors and reserves the right to make changes to the product and manuals without prior notice. Vivotek Inc. makes no warranty of any kind with regard to the material contained within this document, including, but not limited to, the implied warranties of merchantability and fitness for a particular purpose.

Free Manuals Download Website

<http://myh66.com>

<http://usermanuals.us>

<http://www.somanuals.com>

<http://www.4manuals.cc>

<http://www.manual-lib.com>

<http://www.404manual.com>

<http://www.luxmanual.com>

<http://aubethermostatmanual.com>

Golf course search by state

<http://golfingnear.com>

Email search by domain

<http://emailbydomain.com>

Auto manuals search

<http://auto.somanuals.com>

TV manuals search

<http://tv.somanuals.com>