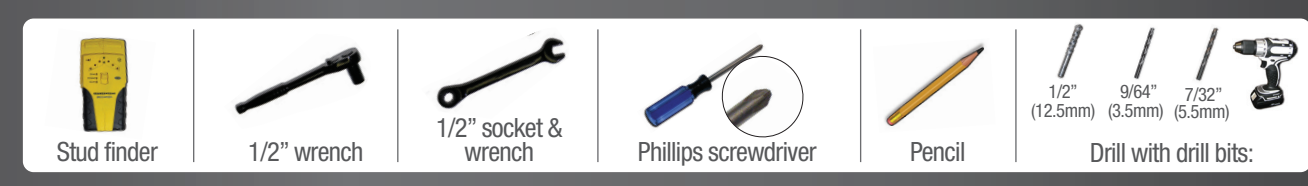




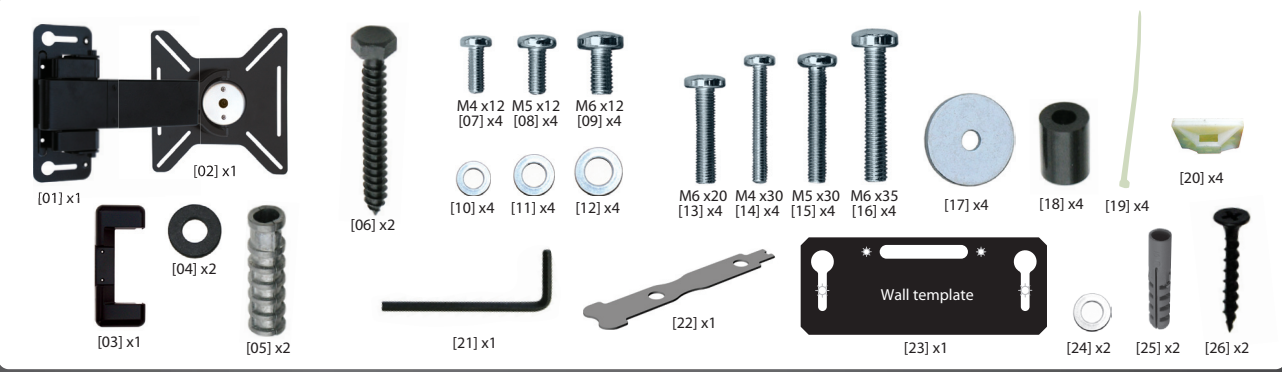
XMA500 QUICK START GUIDE

TOOLS NEEDED

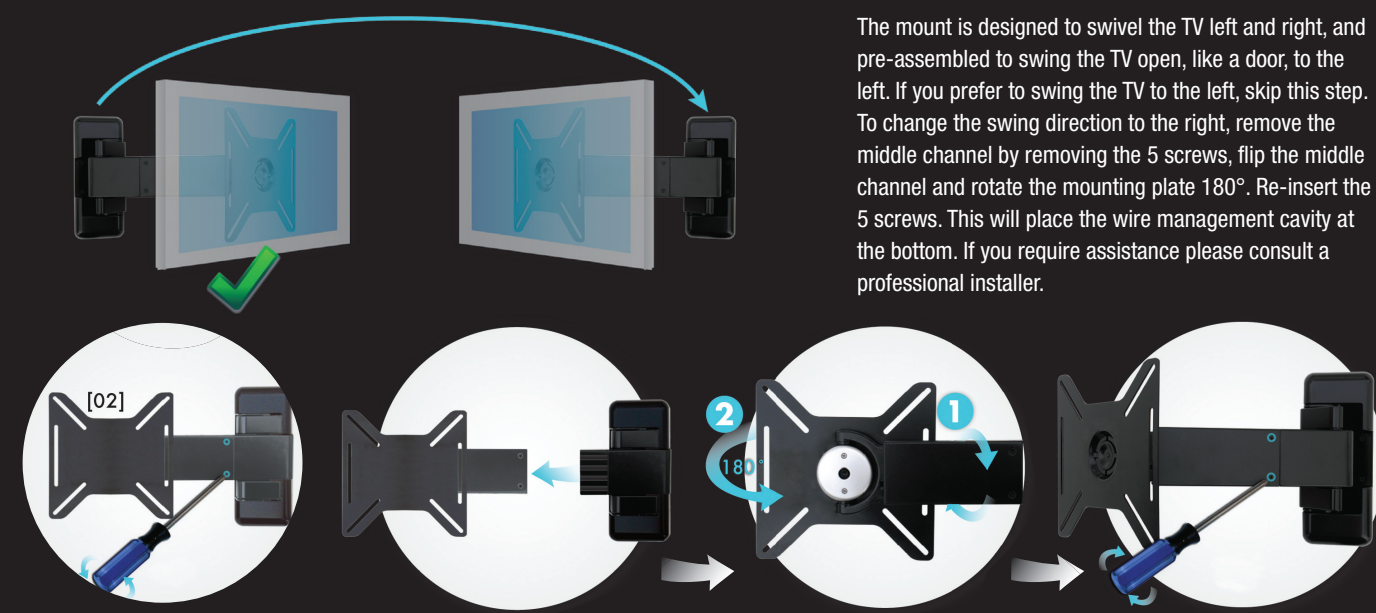


PACKAGE CONTENTS

Before starting assembly, verify that all parts are included and undamaged. If any parts are missing or damaged, do not return the item to your dealer; contact customer service number listed on the back cover. Never use damaged parts.

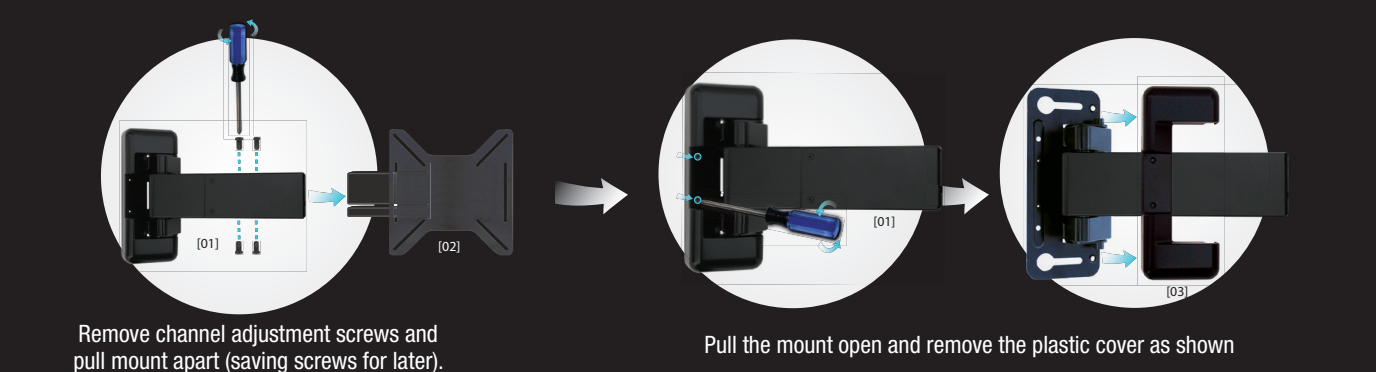


1 CHOOSE WHICH WAY THE MOUNT WILL OPEN



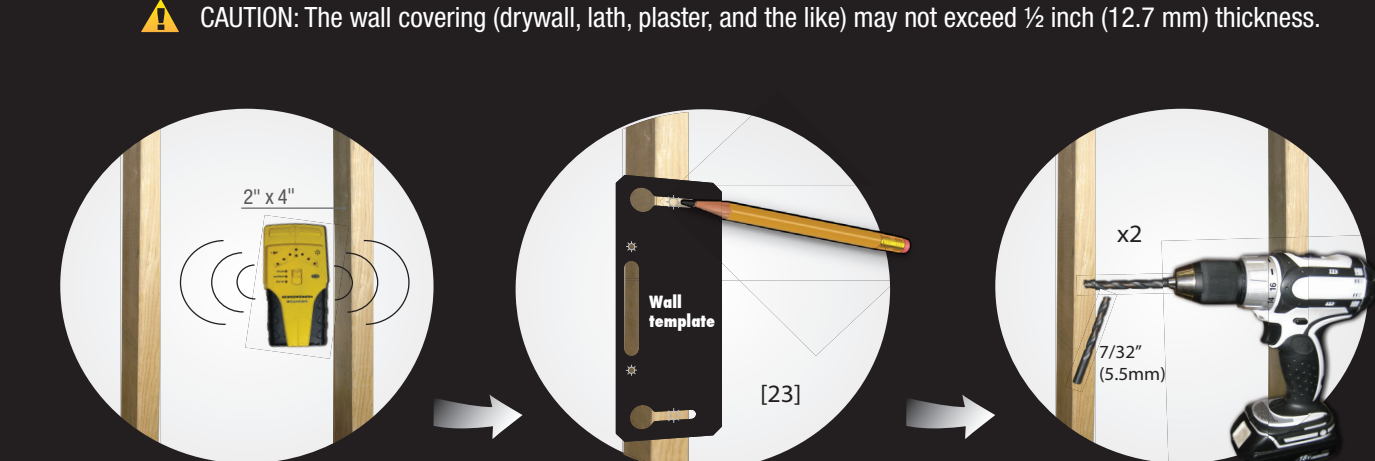
The mount is designed to swivel the TV left and right, and pre-assembled to swing the TV open, like a door, to the left. If you prefer to swing the TV to the left, skip this step. To change the swing direction to the right, remove the middle channel by removing the 5 screws, flip the middle channel and rotate the mounting plate 180°. Re-insert the 5 screws. This will place the wire management cavity at the bottom. If you require assistance please consult a professional installer.

2 BEFORE WALL MOUNTING:

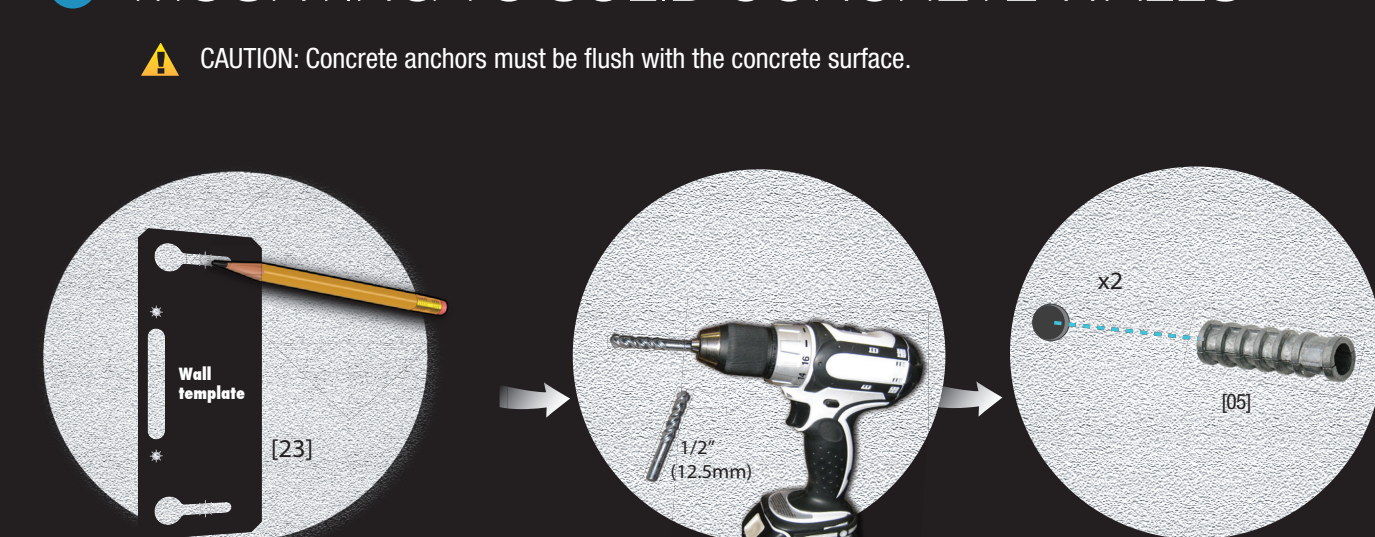


Remove channel adjustment screws and pull mount apart (saving screws for later). Pull the mount open and remove the plastic cover as shown.

3 MOUNTING TO WALLS WITH WOOD STUDS



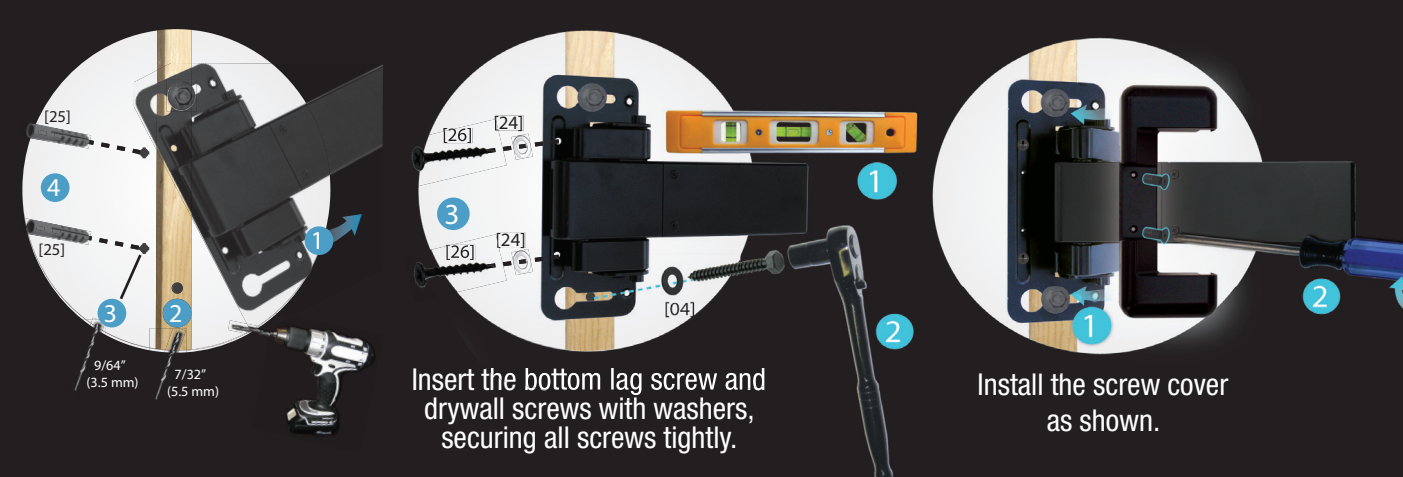
3.1 MOUNTING TO SOLID CONCRETE WALLS



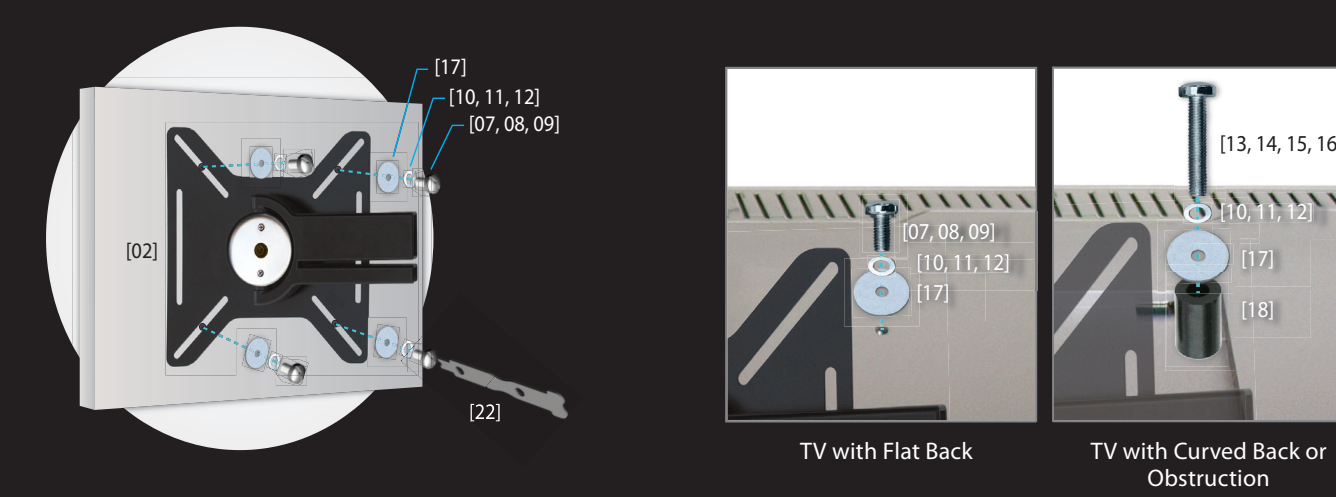
4 SECURE THE FIRST LAG SCREW TO A WOOD STUD BUT DO NOT TIGHTEN COMPLETELY



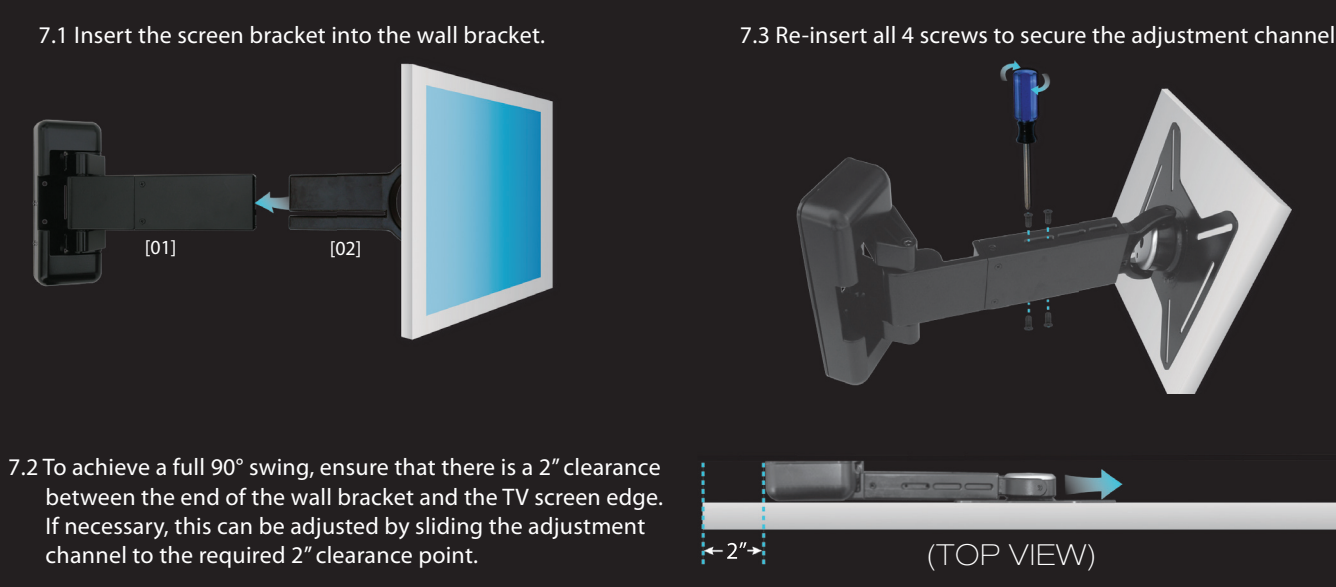
5 DRILL HOLES WHERE INDICATED, AND INSTALL THE PLASTIC DRYWALL ANCHORS BY GENTLY TAPPING THEM FLUSH WITH THE DRYWALL.



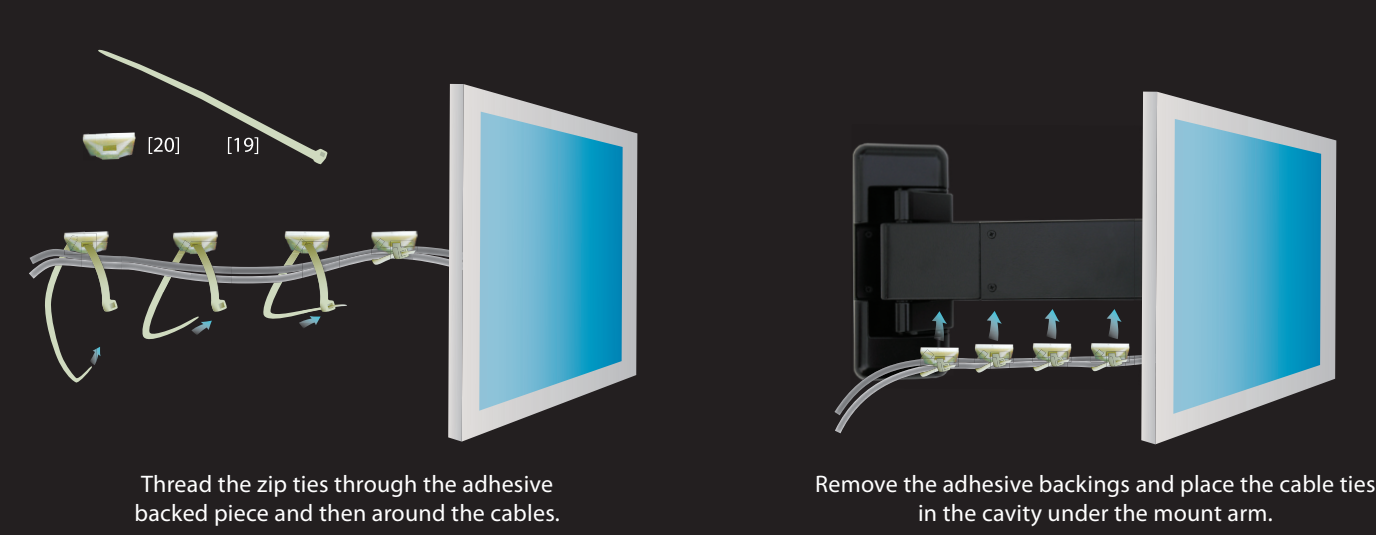
6 ATTACH THE SCREEN PLATE



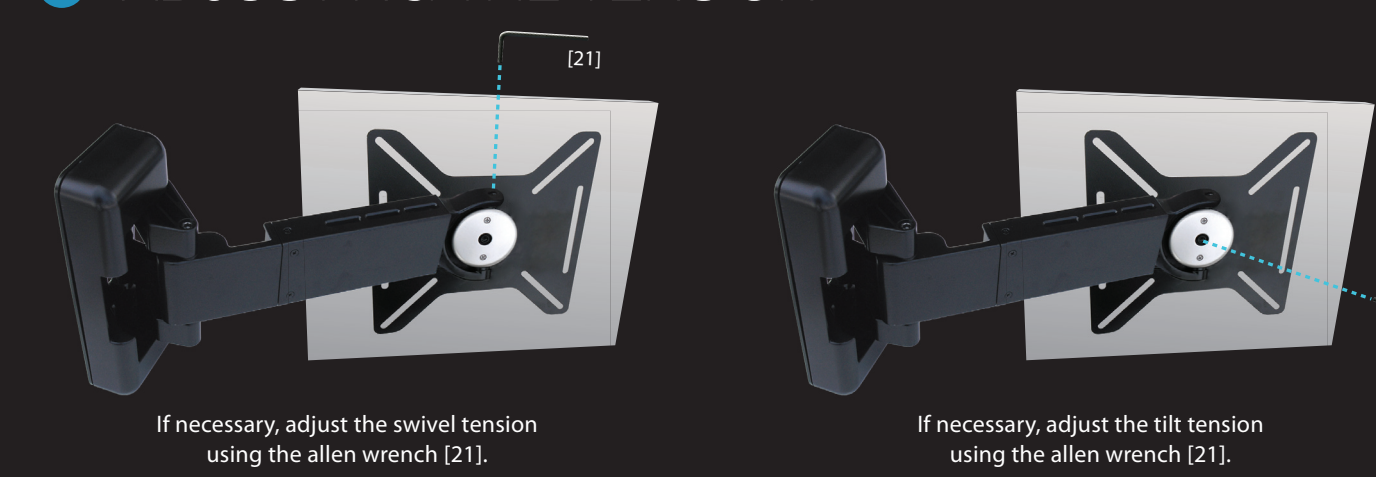
7 HANG THE SCREEN



8 CABLE AND WIRE MANAGEMENT



9 ADJUSTING THE TENSION



IMPORTANT SAFETY INSTRUCTIONS

- When using this tilt mounting system, basic precautions should be followed, including:
 - Follow the entire installation/user's manual and the important safety instructions before attempting to install or use this mounting system.
 - Manufacturer is not liable for damage or injury caused by incorrect mounting, assembly, or use.
 - This mount fits most screens from 26" to 37".
 - The maximum screen and weight this mounting system can support is 37" and not more than 50 lbs (22 Kg).
 - Attaching a screen that is heavier than the maximum weight specified above may result in instability, and possible personal injury.
 - Only attach this mount system on vertical walls as instructed in this manual.
 - If you have any doubts about the ability of the wall to support the TV and the mounting system, contact a qualified contractor.
 - This product contains small items that could be a choking hazard if swallowed.
 - Keep these items away from children.
 - For indoor use only.

TELEPHONE AND TECHNICAL SUPPORT

For technical assistance contact our VIZIO Technical Support Department via email or phone.

Email: techsupport@vizio.com
 (877) 698-4946 Fax: (949) 585-9563
 Hours of operation: Monday - Friday: 6 am to 9 pm
 Saturday - Sunday: 8 am to 4 pm

Please have your VIZIO model number, serial number, and date of purchase available before you call.

VIZIO
 Address:
 39 Tesla
 Irvine, CA 92618, USA
 Telephone: (949) 428-2625 Fax: 949-585-9514
 Web: www.vizio.com

ONE-YEAR LIMITED WARRANTY & INSURANCE

Covers units purchased as new in United States and Puerto Rico Only VIZIO warrants for a period of one (1) year from the date of purchase to the original purchaser of its mounting brackets, that the bracket shall be free from defects in assembly, material, or workmanship and will repair or replace, at its sole discretion, a defective bracket free of charge, provided the bracket is returned to VIZIO with shipping prepaid by purchaser. Unauthorized service or repairs by anyone other than VIZIO or a pre-approved repair facility renders this warranty void and shall release VIZIO from any further responsibility or obligation.

Insurance: VIZIO will repair or replace up to a maximum of \$10,000.00, at its option, any component (television, projector, monitor or screen) which is damaged by a VIZIO bracket's failure to perform** when that product is properly installed** for its intended use. This insurance is subject to the limitations and exclusions set forth herein. VIZIO will repair or replace the damaged television, monitor or screen ("Components") at VIZIO's option, up to an amount equal to the fair market value of the damaged Components of the original purchase price of the equipment, whichever is less, up to \$10,000.00.

Other Terms & Conditions: VIZIO reserves the right to inspect the damaged component, the VIZIO bracket alleged to have failed, and the site where the damage occurred. Damaged Components and bracket must remain available for inspection until the claim is finalized. VIZIO may require you to ship, at your expense, the VIZIO bracket and damaged Component to VIZIO for inspection. VIZIO reserves the right to negotiate the costs of repair. If VIZIO determines, in its sole discretion, that it is impractical to ship the damaged component or bracket, VIZIO may designate, in its sole discretion, a component repair facility to inspect and estimate the cost to repair. The cost, if any, of shipping the Component to and from such repair facility and of each estimate shall be borne solely by the purchaser. Whenever claims are settled, VIZIO reserves the right to be subrogated under any existing insurance policies the claimant/purchaser may have.

All above warranties and insurance are null and void if: the VIZIO bracket in use during the occurrence is not provided to VIZIO for inspection upon VIZIO's request at the sole expense of the purchaser; or if VIZIO determines that the VIZIO bracket has been improperly installed, altered in any way or tampered with; or if it is determined by VIZIO that the damage did not result from the VIZIO product's failure or that in fact no occurrence took place; or the repair or replacement of the damaged Component is covered under a manufacturer's warranty; or VIZIO determines that the Component was not used under normal operating conditions or in accordance with any labels or instructions. Improper installation voids this Limited Warranty & Insurance. VIZIO's Limited Warranty & Insurance only protects against damage to properly connected and installed Components where VIZIO has determined, in its sole discretion, that the damage resulted from a VIZIO bracket's failure, and does not protect against acts of God such as flood, earthquake, war, vandalism, theft, normal-use wear and tear, corrosion, misuse or abuse. Any damage caused by failure to observe instructions for installation, or product limitations specified in the product manual or product specification sheet, or mounting on unsuitable surfaces will not be covered by the VIZIO's Limited Warranty & Insurance.

The protections described herein shall be IN LIEU OF any other warranty, express or implied, including but not limited to, any warranty of MERCHANTABILITY or FITNESS FOR A PARTICULAR PURPOSE.

In no event shall VIZIO be liable for incidental, special, direct, indirect consequential or multiple damages such as, but not limited to, lost business or profits arising out of the sale, use or inability to sell or use any VIZIO products, even if advised of the possibility of damages. This Limited Warranty & Insurance gives you specific legal rights, and you may also have other rights, which may vary from state to state. Some states do not allow the exclusion or limitation of incidental or consequential damage so the above limitations may not apply to you. This Limited Warranty & Insurance is valid only for the original purchaser of the product and only if the original purchaser registers the purchase on-line at www.vizio.com or by mailing a copy of the purchase receipt (showing the date of purchase) and product warranty registration card to VIZIO, 39 Tesla, Irvine, CA 92618. All damage claims must be made to VIZIO within fifteen (15) days from the date of the occurrence and must be accompanied by the purchase receipt for the damaged bracket or this Limited Warranty & Insurance is void. This Limited Warranty & Insurance is only valid in USA and Canada. To make a warranty or insurance claim, please call (877) 698-4946 within fifteen (15) days of the occurrence. Please provide to us or have the following information available:

- The date of the occurrence and the part number of the VIZIO bracket involved.
- The Component that was used with the VIZIO bracket at the time of the occurrence.
- The Component that was damaged during the occurrence and the extent of the damage.
- A detailed description of any additional damage from the occurrence.
- A legible copy of the original receipt showing the place and date of purchase of the VIZIO bracket.
- A legible copy of the original receipt for the damaged Component.
- Photos of any damaged damage.
- Serial number which is located on the carton box and the wall plate.

* Failure to perform in accordance with that bracket's specifications sheet or product manual.
 ** Properly installed in accordance with that bracket's installation instruction sheet or user manual and only when mounted on approved surfaces.
 *** VIZIO reserves the right to require additional supporting evidence to substantiate any additional damage claims.

Free Manuals Download Website

<http://myh66.com>

<http://usermanuals.us>

<http://www.somanuals.com>

<http://www.4manuals.cc>

<http://www.manual-lib.com>

<http://www.404manual.com>

<http://www.luxmanual.com>

<http://aubethermostatmanual.com>

Golf course search by state

<http://golfingnear.com>

Email search by domain

<http://emailbydomain.com>

Auto manuals search

<http://auto.somanuals.com>

TV manuals search

<http://tv.somanuals.com>