

MODEL

SB4021M-A1

VIZIO

# QUICK START GUIDE

# IMPORTANT SAFETY INSTRUCTIONS

**Your Unit is designed and manufactured to operate within defined design limits, and misuse may result in electric shock or fire. To prevent your Unit from being damaged, the following rules should be observed for its installation, use, and maintenance. Please read the following safety instructions before operating your Unit. Keep these instructions in a safe place for future reference.**

- Read these instructions.
- Keep these instructions.
- Heed all warnings.
- Follow all instructions.
- Do not use this apparatus near water.
- Clean only with a dry cloth.
- Do not block any ventilation openings. Install in accordance with the manufacturer's instructions.
- Do not install near any heat sources such as radiators, heat registers, stoves, or other apparatus (including amplifiers) that produce heat.
- Do not defeat the safety purpose of the polarized or grounding-type plug. A polarized plug has two blades with one wider than the other. A grounding type plug has two blades and a third grounding prong. The wide blade or the third prong are provided for your safety. If the provided plug does not fit into your outlet, consult an electrician for replacement of the obsolete outlet.
- Protect the power cord from being walked on or pinched, particularly at plugs, convenience receptacles, and the point where they exit from the apparatus.
- Only use attachments/accessories specified by the manufacturer.
- Use only with the cart, stand, tripod, bracket, or table specified by the manufacturer, or sold with the apparatus. When a cart is used, use caution when moving the cart/apparatus combination to avoid injury from tip-over.
- Unplug this apparatus during lightning storms or when unused for long periods of time.
- Refer all servicing to qualified service personnel. Servicing is required when the apparatus has been damaged in any way, such as when the power supply cord or plug is damaged, liquid has been spilled or objects have fallen into the apparatus, the apparatus has been exposed to rain or moisture, does not operate normally, or has been dropped.
- To reduce the risk of electric shock or component damage, switch off the power before connecting other components to your Unit.
- Unplug the power cord before cleaning your Unit. A damp cloth is sufficient for cleaning. Do not use a liquid or a spray cleaner on your Unit. Do not use abrasive cleaners.
- Always use the accessories recommended by the manufacturer to insure compatibility.
- When moving your Unit from an area of low temperature to an area of high temperature, condensation may form in the housing. Wait before turning on your Unit to avoid causing fire, electric shock, or component damage.
- Slots and openings in the back and bottom of the cabinet are provided for ventilation. To ensure reliable operation of your Unit and to protect it from overheating, be sure these openings are not blocked or covered. Do not place your Unit in a bookcase or cabinet unless proper ventilation is provided.
- Never push any object into the slots and openings on your Unit enclosure. Do not place any objects on the top of your Unit. Doing so could short circuit parts causing a fire or electric shock.



Never spill liquids on your Unit.

- The power cord must be replaced when using different voltage than the voltage specified. For more information, contact your dealer.
- When connected to a power outlet, power is always flowing into your Unit. To totally disconnect power, unplug the power cord.
- The lightning flash with arrowhead symbol within an equilateral triangle is intended to alert the user to the presence of un-isolated, dangerous voltage within your Unit that may be of sufficient magnitude to constitute a risk of electric shock to persons.
- The exclamation point within an equilateral triangle is intended to alert the user to the presence of important operating and servicing instructions in the literature accompanying your Unit.
- Do not overload power strips and extension cords. Overloading can result in fire or electric shock.
- The wall socket should be located near your Unit and be easily accessible.
- Keep your Unit away from moisture. Do not expose your Unit to rain or moisture. If water penetrates into your Unit, unplug the power cord and contact your dealer. Continuous use in this case may result in fire or electric shock.
- Do not use your Unit if any abnormality occurs. If any smoke or odor becomes apparent, unplug the power cord and contact your dealer immediately. Do not try to repair your Unit yourself.
- Avoid using dropped or damaged appliances. If your Unit is dropped and the housing is damaged, the internal components may function abnormally. Unplug the power cord immediately and contact your dealer for repair. Continued use of your Unit may cause fire or electric shock.
- Do not install your Unit in an area with heavy dust or high humidity. Operating your Unit in environments with heavy dust or high humidity may cause fire or electric shock.
- Ensure that the power cord and any other cables are unplugged before moving your Unit.
- When unplugging your Unit, hold the power plug, not the cord. Pulling on the power cord may damage the wires inside the cord and cause fire or electric shock. When your Unit will not be used for an extended period of time, unplug the power cord.
- To reduce risk of electric shock, do not touch the connector with wet hands.
- Insert the remote control battery in accordance with instructions. Incorrect polarity may cause the battery to leak which can damage the remote control or injure the operator.
- See the important note and rating located on the bottom of the unit.
- **WARNING** - This equipment is not waterproof. To prevent a fire or shock hazard, do not place any container filled with liquid near the equipment (such as a vase or flower pot) or expose it to dripping, splashing, rain, or moisture.
- **CAUTION** - Danger of explosion or fire if battery is mistreated. Replace only with the same or specified type.
- Do not leave the battery exposed to direct sunlight for a long period of time with doors and windows closed. Do not disassemble the battery or dispose of it in fire.
- Disconnect the mains plug to shut off when you experience trouble or the device is not in use. The mains plug shall remain readily operable.



# PACKAGE CONTENTS



Home Theater Sound Bar



Remote Control  
with Battery



Wireless Subwoofer



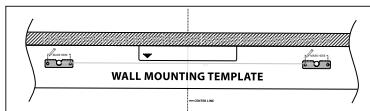
Power Adapter  
for Sound Bar



3.5mm to RCA  
Stereo Audio Cable



Wall Mount  
Brackets (2)

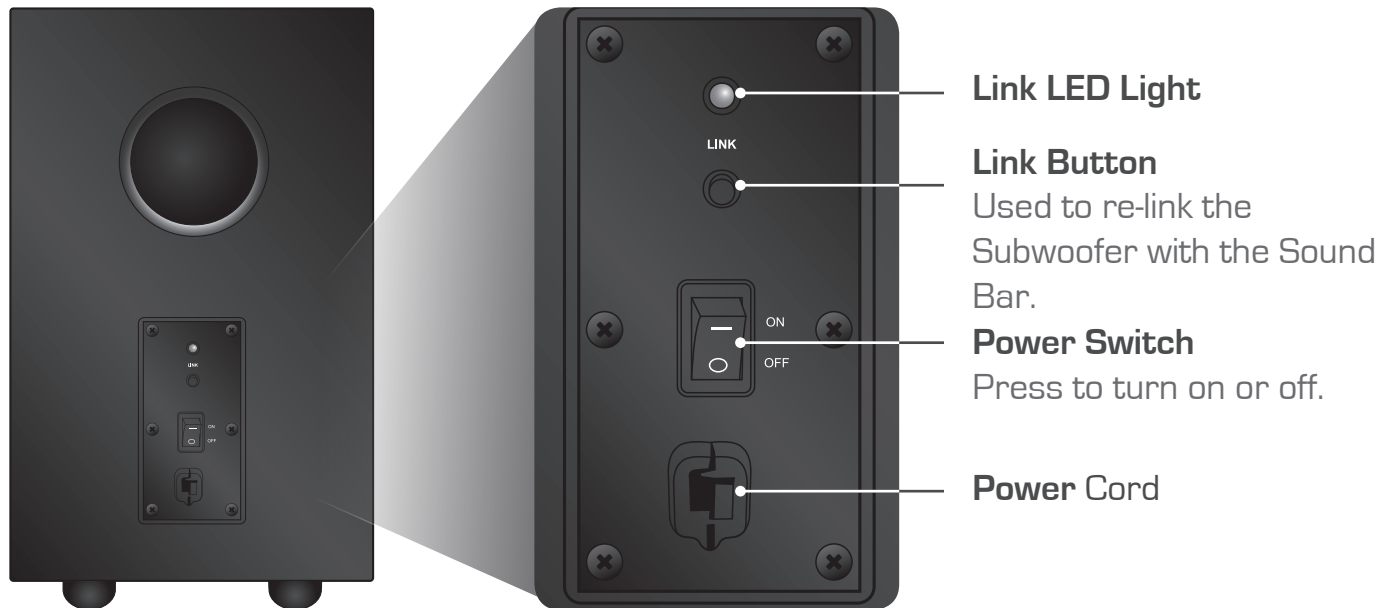
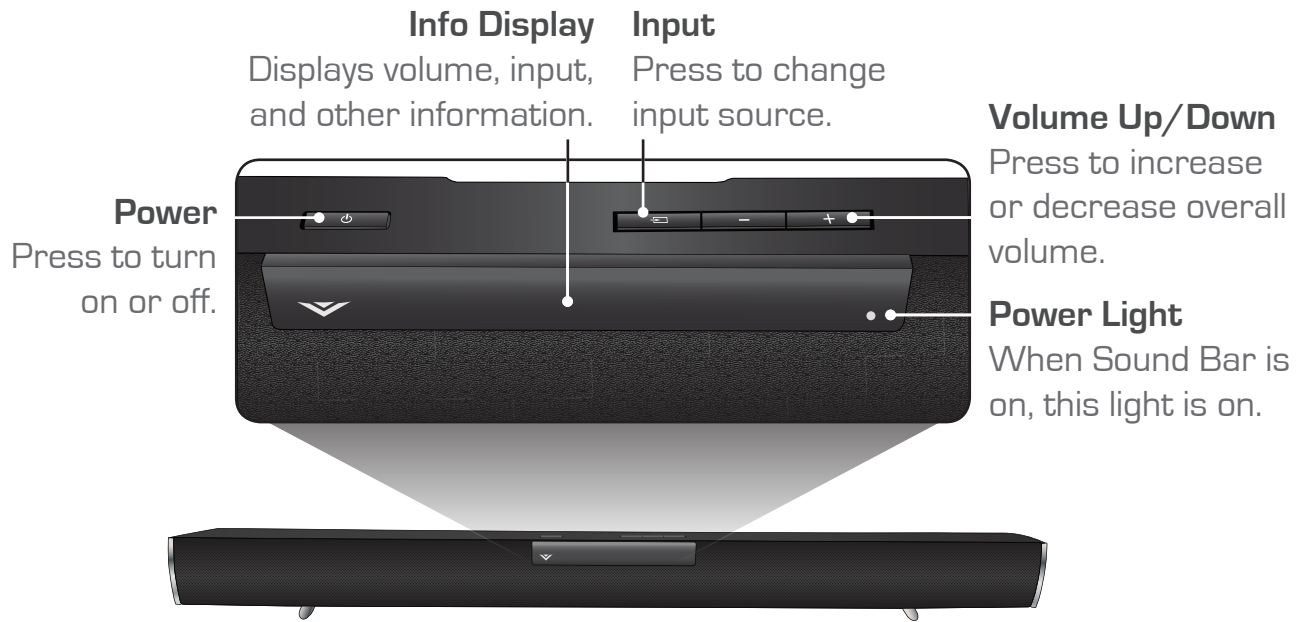


Wall Mount Template



Quick Start Guide

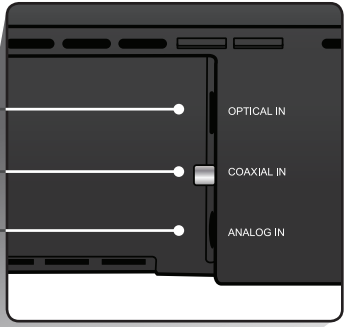
# CONTROLS & CONNECTIONS



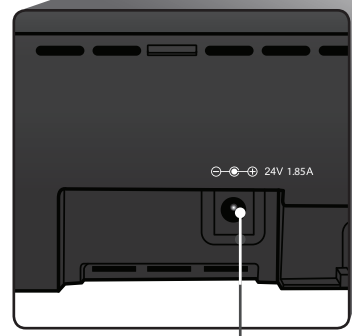
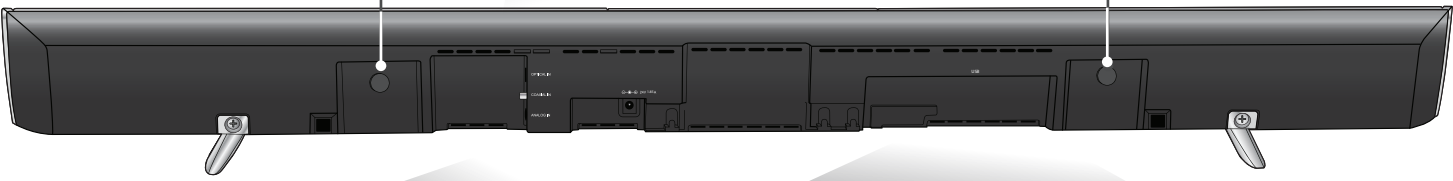
Digital Optical In

Digital Coaxial In

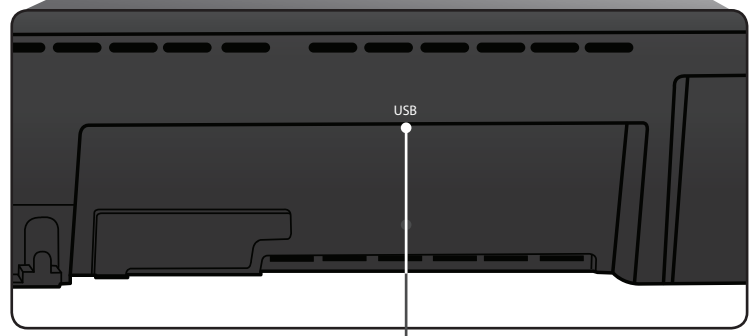
Analog 3.5mm In



Wall Mount Posts



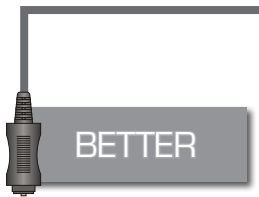
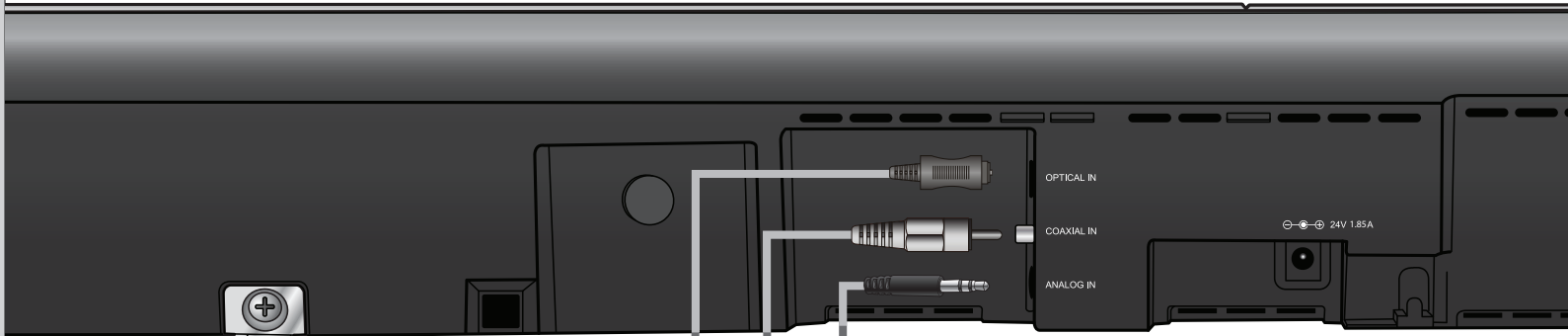
Power Port



USB Port

# FIRST-TIME SETUP

# 1



BETTER

DIGITAL OPTICAL  
CABLE \*



BETTER

DIGITAL COAXIAL  
CABLE \*



GOOD

3.5MM  
CABLE \*



GOOD

3.5MM TO RCA  
CABLE



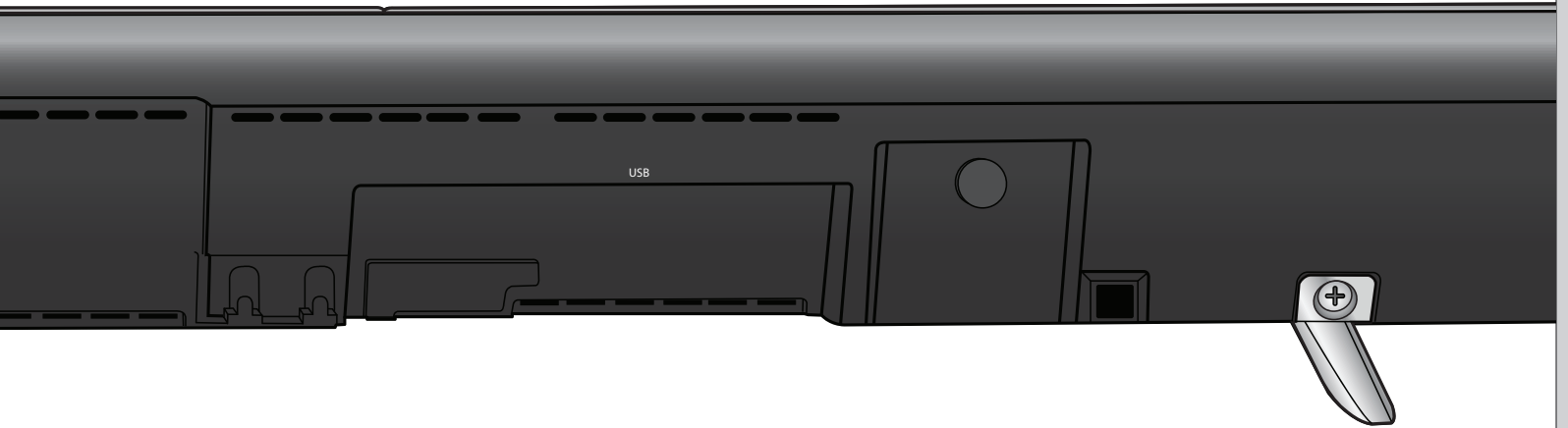
CHOOSE **ONE** CABLE:

GOOD

BETTER

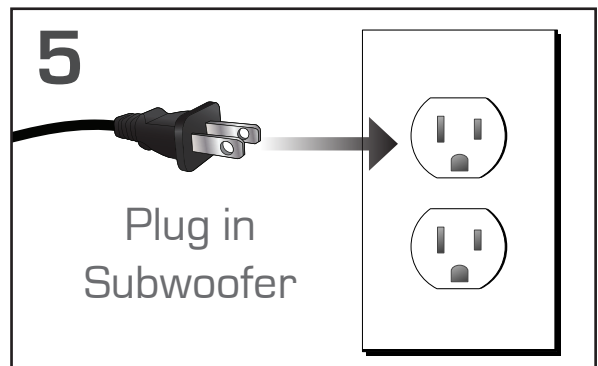
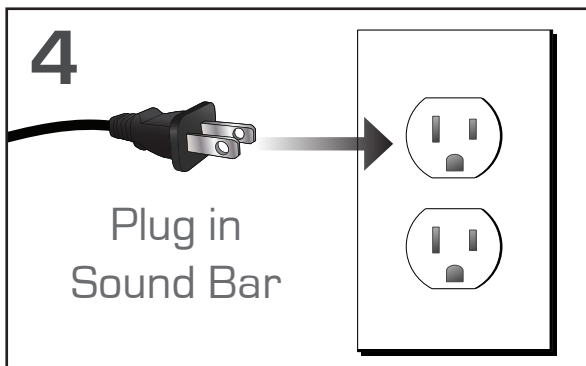
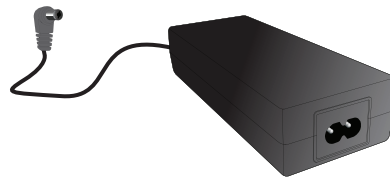
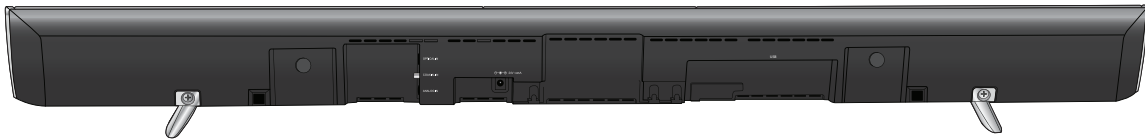
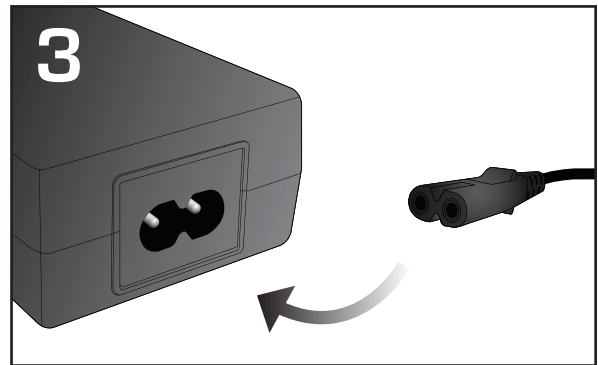
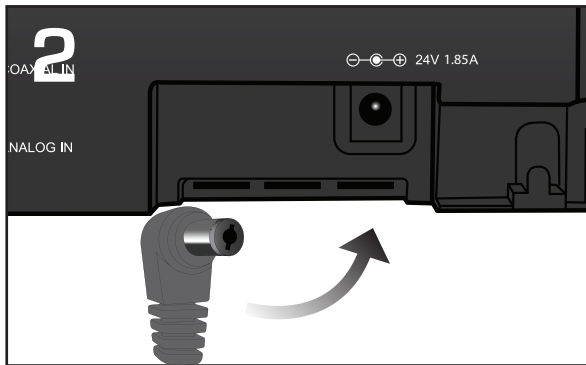
AND CONNECT IT TO YOUR TV

\*Not Included



Connect the Sound Bar to your TV using one of the connection types to the left. Choose the best possible connection type.

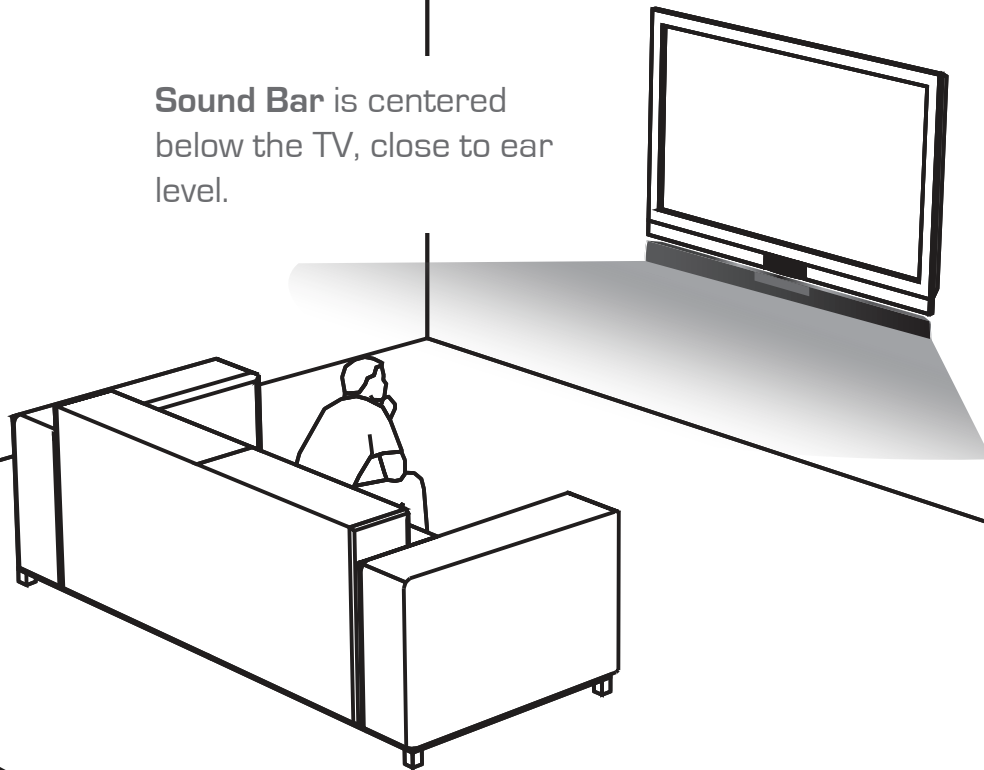
Be sure the TV port is an audio output, not an audio input.





6

**Sound Bar** is centered below the TV, close to ear level.



**Wireless Subwoofer** is in the front corner of the room, up to 60 feet away from the Sound Bar. Bass is projected outward.

**For the best surround sound experience, position the speakers as shown.**

7



Flip the ON/OFF  
Switch to ON.



# 8

Turn your TV on, then press the Power button on the remote to turn the Sound Bar on.

Press the Input button on the remote until your connection type is displayed. Push repeatedly to cycle through input sources (Analog In, Coaxial In, Optical In, and USB).



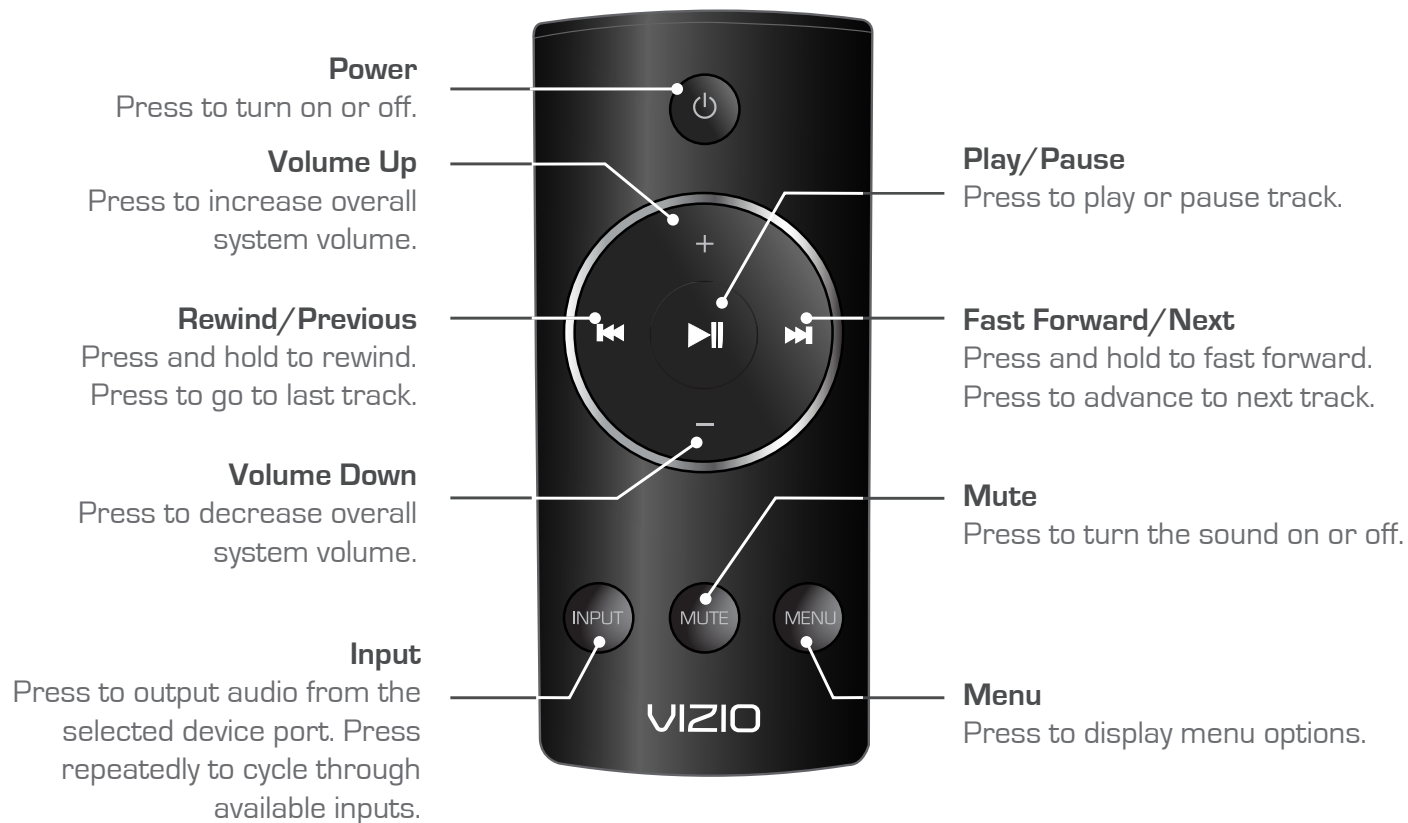
# 9



Setup is complete.

If there is no sound coming from the Sound Bar or Subwoofer, or if you experience other issues, turn to page 18 for help and troubleshooting tips.

# USING THE REMOTE



## SRS TruVolume

When on, SRS TruVolume intelligently normalizes volume fluctuations due to television commercials or channel changes.

## SRS TruSurround HD

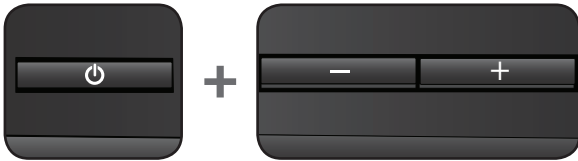
When on, SRS TruSurround HD delivers enveloping, immersive surround sound, making every seat in the room the "sweet spot".

# EXTENDED FUNCTIONS USING BUTTON COMBINATIONS



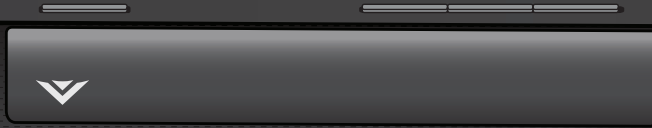
**Mute/Unmute = Volume Up + Volume Down**

Press and hold both buttons for 1 second to mute/unmute your Sound Bar.



**Factory Reset = Power + Volume Up + Volume Down**

Press and hold all 3 buttons for 10 seconds to return your Sound Bar to its factory default settings.



## THE SOUND BAR INFO DISPLAY

**Volume** - Increase or decrease volume



**Bass Level** - Increase or decrease bass level



**Treble Level** - Increase or decrease treble level



**SRS TruVolume** - Toggle SRS TruVolume on or off



**SRS TruSurround** - Toggle SRS TruSurround on or off



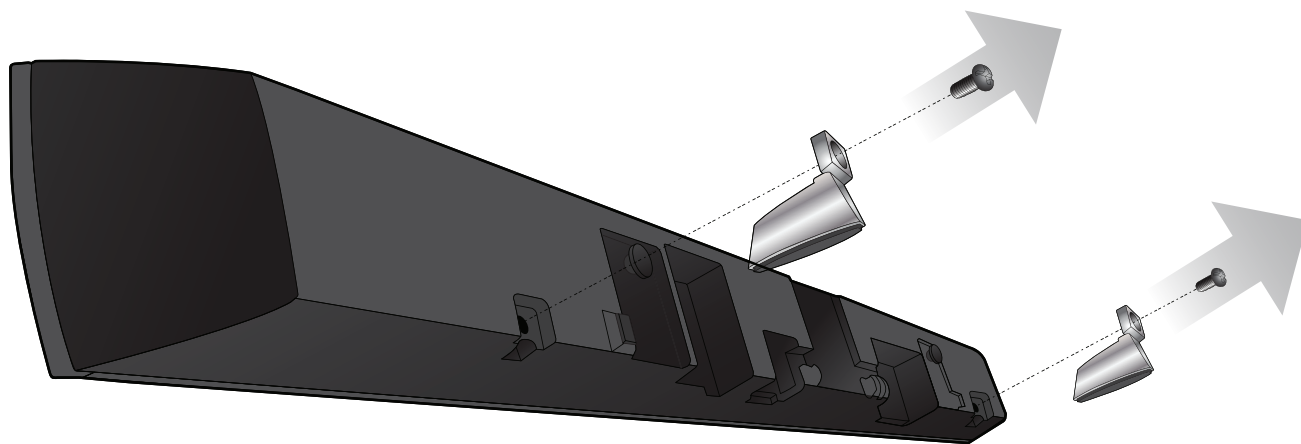
**Brightness Level** - Increase or decrease brightness level



To conserve energy, after displaying a message for several seconds, the Info Display automatically shuts off.

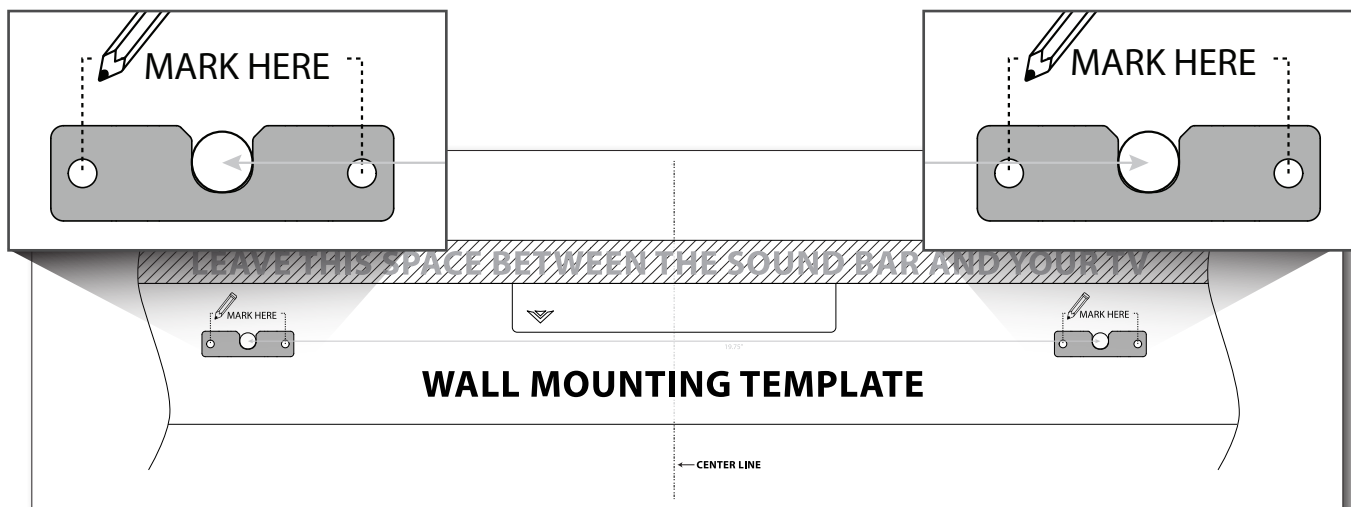
# WALL MOUNTING THE SOUND BAR

1



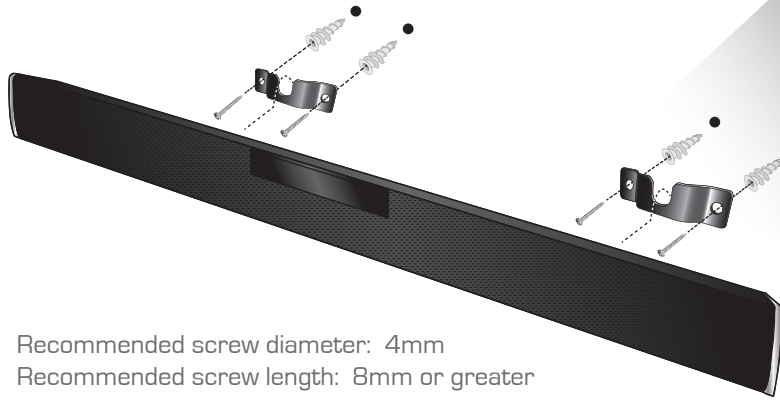
Use a phillips-head screwdriver to remove the screws from the Sound Bar stands. Reinsert the screws for safekeeping. Save the stands for future use.

2

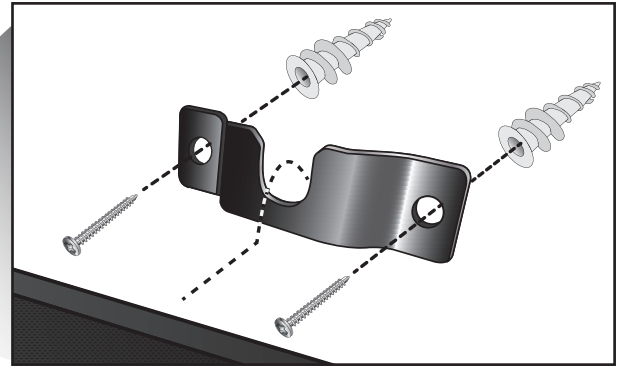


Place the included wall mounting template against the wall under your TV. Mark the locations of the 4 bracket holes using a pencil.

# 3



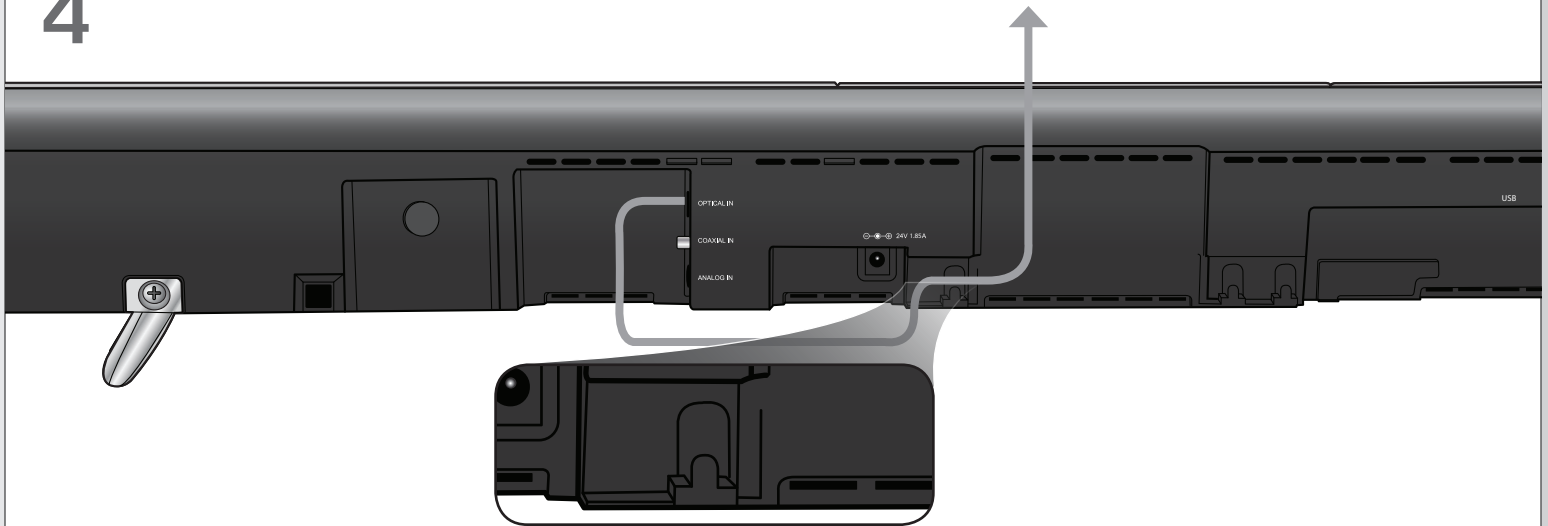
Recommended screw diameter: 4mm  
Recommended screw length: 8mm or greater



The screws and anchors depicted are not included. The appropriate screws and anchors will depend on the material of your wall. Be sure that the screws and/or anchors you use are securely fastened and can support the weight of the Sound Bar.

Attach the brackets to the wall as shown. Gently hang the Sound Bar on the brackets using the wall mount posts on the back of the Bar.

# 4



Use the cable management hooks to route your audio cables to your TV.

# RE-LINKING THE SUBWOOFER AND SOUND BAR

1



You may need to re-link the Subwoofer to the Sound Bar if there is no sound coming from the Subwoofer and the orange light on the rear of the Subwoofer is either blinking or not lit.

2



Press and hold the **INPUT** button on the top of the Sound Bar for 5 seconds. The Sound Bar will display Pairing.

3



Press and hold the **LINK** button on the back of the Subwoofer until the Sound Bar displays Paired.



## REPLACING THE REMOTE BATTERY

1



Insert a flat-head screwdriver into the slot as shown. Gently push down on the tab, then press and pull downward on the battery cover to open.

2

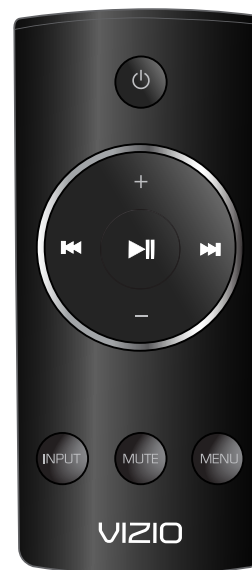


When replacing an old battery with a new CR2032, be sure that the + sign on the battery is facing up. Push the battery cover until it clicks back into place.

## PROGRAMMING YOUR UNIVERSAL REMOTE

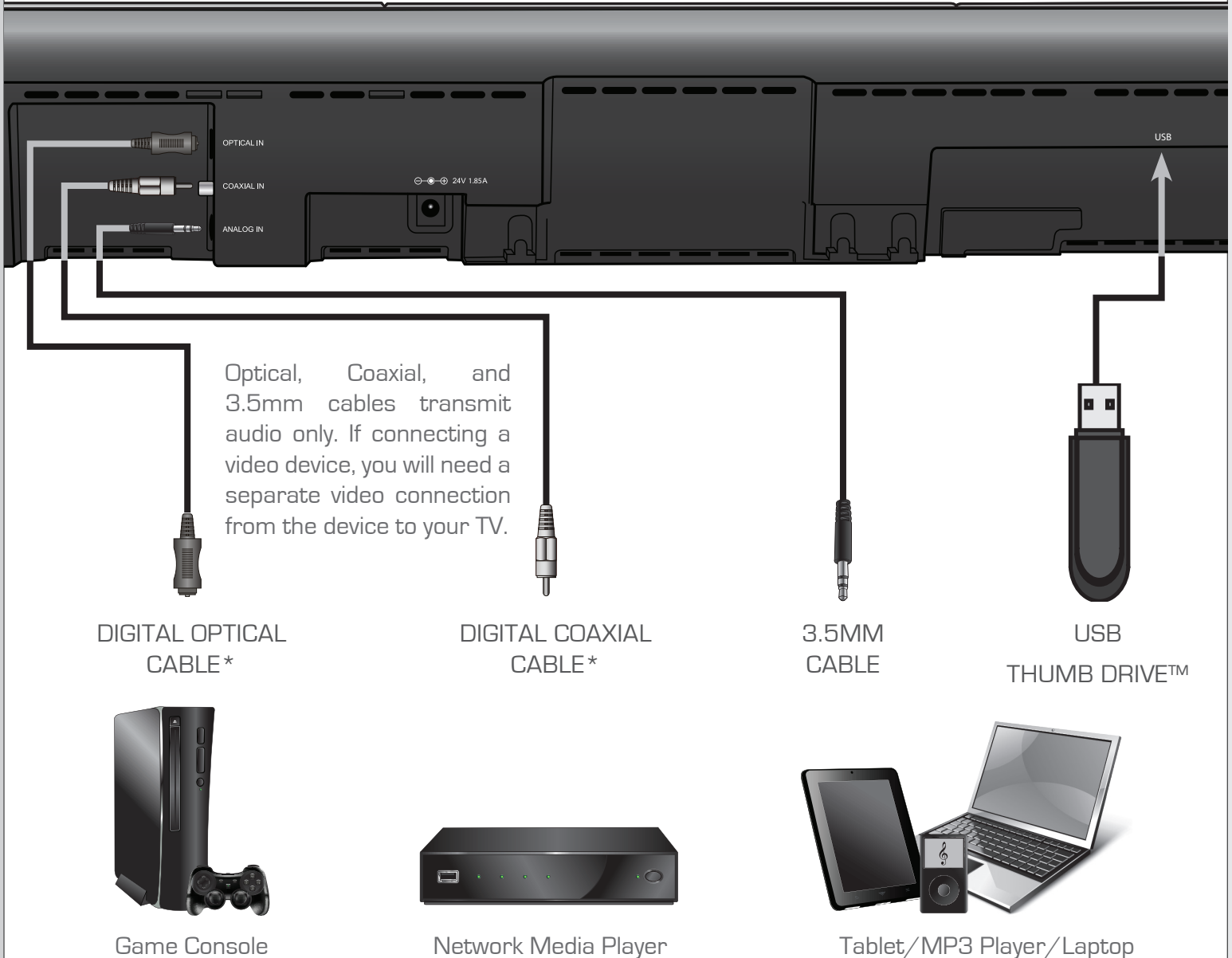
Many universal remote controls can be programmed to control your Sound Bar.

As each universal remote works differently, you should refer to your remote's user manual for instructions on programming.



# ADVANCED SETUP

Connect up to four different devices to the Sound Bar  
(devices shown are examples—you can use any device).  
To listen to a device, change the input source on the Sound Bar.



# ONE POWERFUL MOVIE MACHINE



## 3D BLU-RAY™ PLAYER WITH WIRELESS INTERNET APPS

The VIZIO 3D Blu-ray™ Player with Wireless Internet Apps delivers breathtaking 3D and 1080p Full HD video performance with up to 7.1 channels of crystal-clear digital surround sound. It's stylishly slim with an easy slot-load design so there's no waiting for a tray to eject. Built-in Wi-Fi delivers easy wireless access to on-demand movies, TV shows, music, and more. It's all at the push of a button on the enhanced 2-sided remote with full keyboard.\*

Sold separately. Available at [www.VIZIO.com](http://www.VIZIO.com)

## There is no power.

- Press the **POWER** button on the remote control or on the top of your Sound Bar.
- Ensure the power cords are securely connected.
- Turn the Subwoofer power switch to ON.
- Plug a different device into the electrical outlet to verify that the outlet is working correctly.
- To conserve power, the Sound Bar shuts off automatically after 30 minutes if not in use.

## There is no sound from the Sound Bar.

- Increase the volume. Press **Volume Up** on the remote control or on the top of your Sound Bar.
- Press MUTE on the remote to ensure the Sound Bar is not muted.
- Select a different input source (Analog, Coaxial, or Optical).
- Be sure the audio cable coming from the TV is connected to an audio output, not an audio input.
- If listening to a USB source, be sure the files are in MP3 format.

## There is no sound coming from the Subwoofer.

- If the lights on the Subwoofer are in a slow blink pattern, you will need to pair the Subwoofer with the Sound Bar. See Re-Linking the Subwoofer and Sound Bar on page 14.
- Move the Subwoofer closer to the Sound Bar.
- Turn the Subwoofer power switch to ON.
- To conserve power, the Subwoofer will automatically enter a low power state when not in use. It may take up to 10 seconds for the Subwoofer to link after the Sound Bar is turned on.

## I hear buzzing or humming.

- Ensure all cables and wires are securely connected.
- Connect a different source device (TV, Blu-ray player, etc) to see if the buzzing persists. If it does not, the problem may be with the original device.
- Connect your device to a different input on the Sound Bar.

## How do I listen to SRS TruSurround or Dolby Digital?

- To activate SRS TSHD, press the Menu button on the remote and use the arrow keys to scroll to the TSHD screen to toggle between on and off.
- To listen to Dolby Digital, your device must be playing content in Dolby Digital format. Dolby Digital is only available over Digital Coaxial or Digital Optical.

## I would like to adjust the sound on the Subwoofer and Sound Bar.

- Adjust the bass and treble levels using the remote.
- Try enabling/disabling SRS TruSurround.

## I want to return my Sound Bar to factory settings.

- Press and hold the Power, Volume Up, and Volume Down buttons for 10 seconds to return your Sound Bar to its factory default settings.

DO YOU HAVE QUESTIONS?

# LET US HELP!

YOUR PRODUCT INCLUDES FREE LIFETIME TECH SUPPORT

The VIZIO support team is highly trained and is based in the United States.

We can help with:

- New Product Setup
- Connecting Your Devices
- Technical Problems
- And More

Phone: (877) 878-4946 (TOLL-FREE)

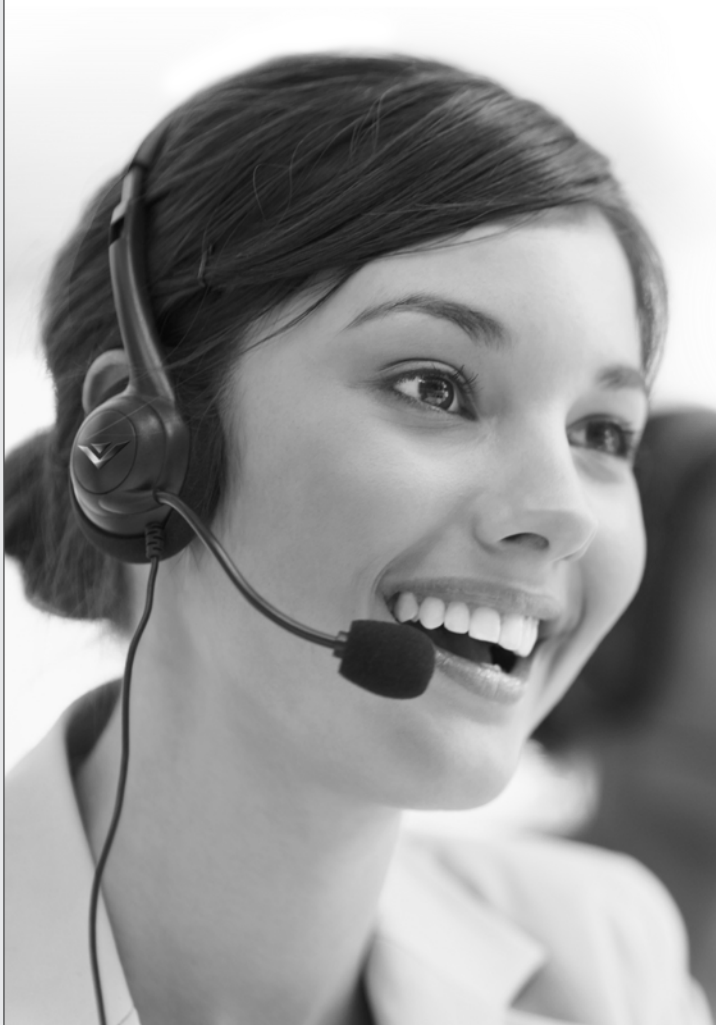
Email: [techsupport@VIZIO.com](mailto:techsupport@VIZIO.com)

Web: [www.VIZIO.com/support](http://www.VIZIO.com/support)

Hours of operation:

Monday - Friday: 5 AM TO 9 PM (PST)

Saturday - Sunday: 8 AM TO 4 PM (PST)



# ONE-YEAR LIMITED WARRANTY

## ON PARTS AND LABOR

### Covers units purchased as new in United States and Puerto Rico Only

VIZIO provides a warranty to the original purchaser of a new Product against defects in materials and workmanship for a period of one year of non-commercial usage and ninety (90) days of commercial use. If a Product covered by this warranty is determined to be defective within the warranty period, VIZIO will either repair or replace the Product at its sole option and discretion.

To obtain warranty service, contact VIZIO Technical Support via email: TechSupport@VIZIO.com or via phone at 877 MY VIZIO (877.698.4946) from 6:00AM to 9:00PM Monday through Friday and 8:00AM to 4:00PM Saturday and Sunday, Pacific Time, or visit [www.VIZIO.com](http://www.VIZIO.com). PRE-AUTHORIZATION MUST BE OBTAINED BEFORE SENDING ANY PRODUCT TO A VIZIO SERVICE CENTER. Proof of purchase in the form of a purchase receipt or copy thereof is required to show that a Product is within the warranty period.

### Parts and Labor

There will be no charge for parts or labor during the warranty period. Replacement parts and Products may be new or recertified at VIZIO's option and sole discretion. Replacement parts and Products are warranted for the remaining portion of the original warranty or for ninety (90) days from warranty service or replacement, whichever is greater.

### Type of Service

Defective Products must be sent to a VIZIO service center to obtain warranty service. VIZIO is not responsible for transportation costs to the service center, but VIZIO will cover return shipping to the customer. PRE-AUTHORIZATION IS REQUIRED BEFORE SENDING ANY PRODUCT TO A VIZIO SERVICE CENTER FOR WARRANTY SERVICE. Product returns to VIZIO's service centers must utilize either the original carton box and shipping material or packaging that affords an equal degree of protection. VIZIO

Technical Support will provide instructions for packing and shipping the covered Product to the VIZIO service center.

### Limitations and Exclusions

VIZIO's one-year limited warranty only covers defects in materials and workmanship. This warranty does not cover, for example: cosmetic damage, normal wear and tear, improper operation, improper voltage supply or power surges, signal issues, damages from shipping, acts of God, any type of customer misuse, modifications or adjustments, as well as installation and set-up issues or any repairs attempted by anyone other than by a VIZIO authorized service center. Products with unreadable or removed serial numbers, or requiring routine maintenance are not covered. This one year limited warranty does not cover Products sold "AS IS", "FACTORY RECERTIFIED", or by a non-authorized reseller.

THERE ARE NO EXPRESS WARRANTIES OTHER THAN THOSE LISTED OR DESCRIBED ABOVE. ANY IMPLIED WARRANTIES, INCLUDING ANY IMPLIED WARRANTY OF MERCHANTABILITY AND FITNESS FOR A PARTICULAR PURPOSE, SHALL BE LIMITED IN DURATION TO THE PERIOD OF TIME SET FORTH ABOVE. VIZIO'S TOTAL LIABILITY FOR ANY AND ALL LOSSES AND DAMAGES RESULTING FROM ANY CAUSE WHATSOEVER INCLUDING VIZIO'S NEGLIGENCE, ALLEGED DAMAGE, OR DEFECTIVE GOODS, WHETHER SUCH DEFECTS ARE DISCOVERABLE OR LATENT, SHALL IN NO EVENT EXCEED THE PURCHASE PRICE OF THE PRODUCT. VIZIO SHALL NOT BE RESPONSIBLE FOR LOSS OF USE, LOSS OF INFORMATION OR DATA, COMMERCIAL LOSS, LOST REVENUE OR LOST PROFITS, OR OTHER INCIDENTAL OR CONSEQUENTIAL DAMAGES. SOME STATES DO NOT ALLOW LIMITATIONS ON HOW LONG AN IMPLIED WARRANTY LASTS OR THE EXCLUSION OF INCIDENTAL OR CONSEQUENTIAL DAMAGES, SO THE ABOVE LIMITATIONS OR EXCLUSIONS MAY NOT APPLY TO YOU. THIS WARRANTY GIVES YOU SPECIFIC LEGAL RIGHTS, AND YOU MAY ALSO HAVE OTHER RIGHTS, WHICH VARY FROM STATE TO STATE. THIS WARRANTY IS SUBJECT TO CHANGE WITHOUT NOTICE. CHECK [www.VIZIO.com](http://www.VIZIO.com) FOR THE MOST CURRENT VERSION.

# SPECIFICATIONS

<b>Sound Bar:</b>	Two 3" High-Fidelity Drivers
<b>Subwoofer:</b>	One 6.5" Long Throw (High Excursion) Driver
<b>Frequency Response (Sound Bar):</b>	150 Hz - 18 kHz (+/-5dB)
<b>Frequency Response (Subwoofer):</b>	40 Hz - 150 Hz (+/-5dB)
<b>Subwoofer Wireless Range:</b>	> 60' with Clear Line of Sight
<b>Sound Pressure Level (SPL):</b>	89 dB 1w-1m
<b>Voltage (Sound Bar):</b>	100-240 V, 50-60 Hz
<b>Voltage (Subwoofer):</b>	120V, 60 Hz
<b>Dimensions (Sound Bar):</b>	40.1" x 4.1" x 2.1" (with Stand) 40.1" x 3.3" x 2.1" (without Stand)
<b>Dimensions (Subwoofer):</b>	8.5" x 12.8" x 11.0"
<b>Net Weight (Sound Bar):</b>	3.53 lbs (1.6 kg)
<b>Net Weight (Subwoofer):</b>	11.0 lbs (5.0 kg)
<b>Gross Weight:</b>	23.2 lbs (10.5 kg)
<b>Compliances:</b>	FCC, NOM, cULus



SRS<sup>®</sup> and SRS<sup>®</sup> are trademarks of SRS Labs, Inc. TruSurround HD and TruVolume technologies are incorporated under license from SRS Labs, Inc.



Manufactured under license from Dolby Laboratories. Dolby and the double-D symbol are trademarks of Dolby Laboratories.



This product qualifies for ENERGY STAR in the "factory default" setting and this is the setting in which power savings will be achieved. Changing the factory default settings or enabling other features will increase power consumption that could exceed the limits necessary to qualify for ENERGY STAR rating.



# LEGAL & COMPLIANCE

## FCC Class B Radio Interference Statement

NOTE: This equipment has been tested and found to comply with the limits for a Class B digital device, pursuant to Part 15 of the FCC Rules. These limits are designed to provide reasonable protection against harmful interference in a residential installation. This equipment generates, uses and can radiate radio frequency energy, and if not installed and used in accordance with the instructions, may cause harmful interference to radio communications. However, there is no guarantee that interference will not occur in a particular installation. If this equipment does cause harmful interference to radio or television reception, which can be determined by turning the equipment off and on, the user is encouraged to try to correct the interference by one or more of the following measures:

1. Reorient or relocate the receiving antenna.
2. Increase the separation between the equipment and receiver.
3. Connect the equipment into an outlet on a circuit different from that to which the receiver is connected.
4. Consult the dealer or an experienced radio/TV technician for help.

This device complies with Part 15 of the FCC Rules. Operation is subject to the following two conditions: (1) this device may not cause harmful interference, and (2) this device must accept any interference received, including interference that may cause undesired operation.

### Notice:

1. The changes or modifications not expressly approved by the party responsible for compliance could void the user's authority to operate the equipment.
2. Shielded interface cables and AC power cord, if any, must be used in order to comply with the emission limits.
3. The manufacturer is not responsible for any radio or TV interference caused by

unauthorized modification to this equipment. It is the responsibilities of the user to correct such interference.

## RF Exposure Information

This device meets the government's requirements for exposure to radio waves. This device is designed and manufactured not to exceed the emission limits for exposure to radio frequency (RF) energy set by the Federal Communications Commission of the U.S. Government. This device complies with FCC radiation exposure limits set forth for an uncontrolled environment.

## IC Statement

Operation is subject to the following two conditions:

1. This device may not cause interference, and
2. This device must accept any interference, including interference that may cause undesired operation of the device.

This Class B digital apparatus complies with Canadian ICES-003.

Cet appareil numérique de la classe B est conforme à la norme NMB-003 du Canada.

## IC Radiation Exposure Statement

This equipment complies with IC RSS-102 radiation exposure limits set forth for an uncontrolled environment. This equipment should be installed and operated with minimum distance 20cm between the radiator & your body.

## Disposal and Recycling

You must dispose of this product properly, according to local laws and regulations. Because this product contains electronic components and a battery, it must be disposed of separately from household waste. Contact local authorities to learn about disposal and recycling options.

# INFORMATION ON HEARING DAMAGE

## Understanding Noise Induced Hearing Loss

Exposure to loud sounds can damage your hearing, causing hearing loss and tinnitus (ringing or buzzing in the ears). While a variety of things can lead to hearing loss, including aging and side effects of certain medications, the most common cause of non-age-related hearing damage is loud noise. Extremely loud sounds, such as gun shots or firecrackers at close range, can cause immediate hearing damage. Hearing damage can also occur over time due to repeated exposure to loud sounds such as industrial noise or loud music. With continued exposure to loud noises, ears may become accustomed to the sound level, which may result in permanent damage to hearing without any noticeable discomfort.

## Temporary and Permanent Hearing Loss

Noise induced hearing loss and tinnitus may be temporary or permanent. Ears typically recover from temporary hearing damage in a short time. However, ears may not recover completely, and some damage may be permanent. Repeated exposure to loud sound can cause more and more damage, and eventually lead to serious hearing problems. Scientists generally agree that, over time, exposure to harmful levels of noise can lead to permanent noise induced hearing loss by damaging and/or destroying the inner ear's sensory hair cells.

## Loud Sounds + Time = Hearing Loss

The more time you spend exposed to loud sounds, the more likely you are to damage your hearing. All of the loud sounds that you are exposed to during a day add up - continued exposure to loud sounds can prevent your ears from recovering and also cause additional damage.

## Symptoms of Hearing Loss

While not all noise induced hearing loss is noticeable, symptoms may include a sensation of pressure or fullness in your ears, ringing in your ears, or muffled speech. If you experience these symptoms or believe you may have experienced noise induced hearing loss, you should have your hearing checked by an ear doctor or audiologist.

# CARE & MAINTENANCE

Do not use volatile solvents (such as toluene, rosin, or alcohol) to clean this product. Such chemicals may damage it. Do not spray cleaners directly on the product. To clean this product, gently wipe it with a clean, dry, soft cloth.





## Free Manuals Download Website

<http://myh66.com>

<http://usermanuals.us>

<http://www.somanuals.com>

<http://www.4manuals.cc>

<http://www.manual-lib.com>

<http://www.404manual.com>

<http://www.luxmanual.com>

<http://aubethermostatmanual.com>

Golf course search by state

<http://golfingnear.com>

Email search by domain

<http://emailbydomain.com>

Auto manuals search

<http://auto.somanuals.com>

TV manuals search

<http://tv.somanuals.com>