



Dear VIZIO Customer,

Congratulations on your new VIZIO purchase. To get the most out of your new VIZIO wall mount, please read these instructions before making any adjustments, and retain them for future reference. We hope you will experience many years of enjoyment from your new VIZIO wall mount.

For assistance, please call **877-MYVIZIO** (877-698-4946) or e-mail us at www.VIZIO.com.

To inquire about installation services for your VIZIO wall mount, please visit our website at www.vizio.com or call toll free at **(888) 849-4623**.

We recommend you register your wall mount at www.VIZIO.com.

Purchase Date _____

VIZIO is a registered trademark of VIZIO, Inc. dba V, Inc.

THE TRADEMARKS SHOWN HEREIN ARE THE PROPERTY OF THEIR RESPECTIVE OWNERS; IMAGES USED ARE FOR ILLUSTRATION PURPOSES ONLY. BRAVO, VIZIO AND THE V LOGO AND WHERE VISION MEETS VALUE AND OTHER VIZIO TRADEMARKS ARE THE INTELLECTUAL PROPERTY OF VIZIO INC. PRODUCT SPECIFICATIONS ARE SUBJECT TO CHANGE WITHOUT NOTICE OR OBLIGATION. © 2009 VIZIO INC. ALL RIGHTS RESERVED.



Important Safety Instructions

Follow the instructions within this manual and review these safety instructions before attempting to install this wall mount.

- Manufacturer is not liable for damage or injury caused by incorrect mounting, assembly, or use. Your TV must not be larger than 60 inches (152cm) and weigh not more than 150 lbs (68 Kg).
- Attaching a TV that is heavier than the maximum weight specified above may result in instability, and possible personal injury.
- Only attach this mount system on vertical walls as instructed in this installation/user's manual.
- **This product is not designed for use in metal stud walls!**
- If you have any doubts about the ability of the wall to support your TV and the mounting system, contact a qualified contractor. This product contains small items that could be a choking hazard if swallowed. Keep these items away from children!
- Do not run any wires and/or cables near moving parts of this mounting system.



We strongly recommend that two people perform the setup and assembly due to the weight and size of your TV.

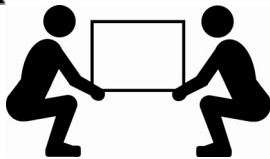


Table of Contents

Important Safety Instructions.....	2
Opening the Package.....	3
Step 1 Get Tools and Components	3
Tools Needed	3
Components/Parts Needed	3
Secure Wall Plate to Wall	6
Wood Stud Walls	6
Concrete Walls	7
Step 2 Attach Brackets to TV	8
TV with a Flat Back.....	8
TV with a Curved Back.....	9
Step 3 Connect Cables to TV	9
Step 4 Attach TV to Wall Plate	10
Step 5 Connect Cables and Power.....	11
Step 6 Tighten Safety Screws.....	11
Telephone & Technical Support.....	12
One-Year Limited Warranty & Insurance.....	12



Opening the Package

Before starting installation, verify that all parts are included and undamaged. If any parts are missing or damaged contact customer service at (877) 698-4946.

IMPORTANT: Save the carton and packing material for future shipping.


Step 1 Get Tools and Components

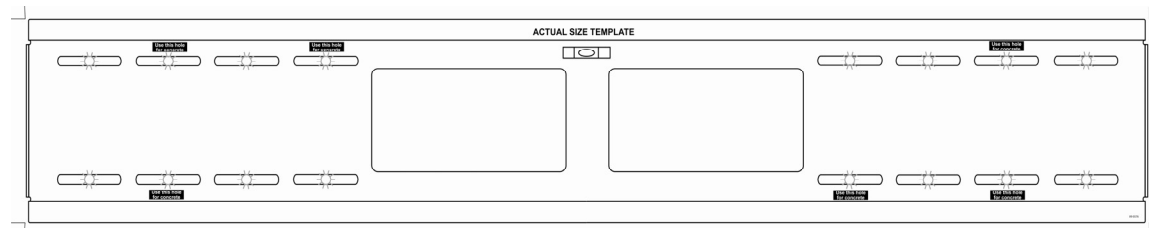
Tools Needed

- Stud Finder
- Phillips screwdriver
- 1/2" wrench
- Drill with 3/16" (wood) or 1/2" (concrete) drill bit
- 1/2" socket & wrench
- Hammer

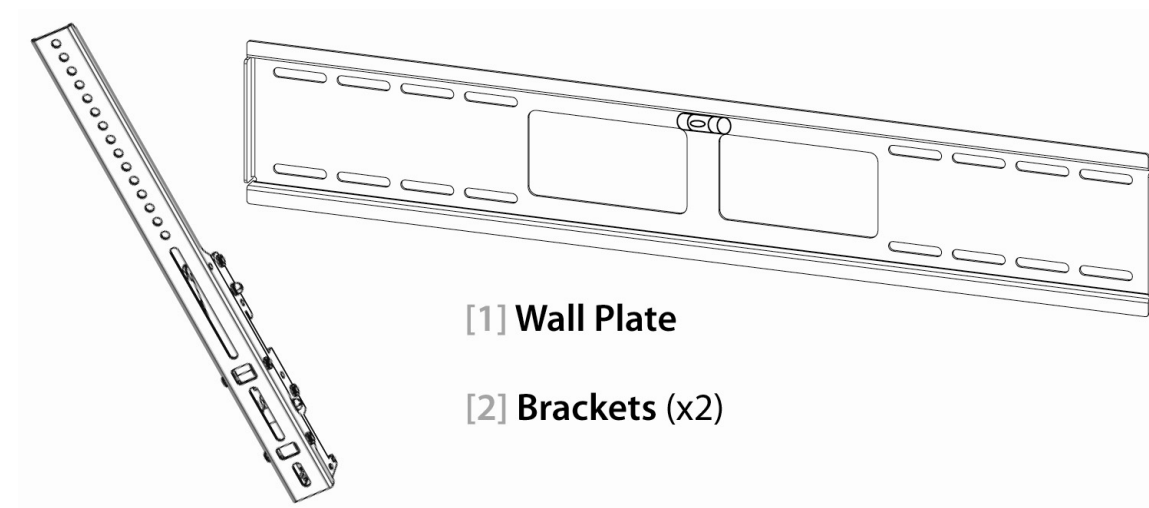
Components/Parts Needed

Gather the following components to assemble your wall mount:

 **Note:** Not all hardware included with the wall mount is needed depending on your setup.



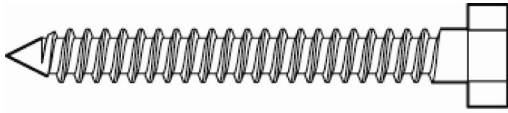
Wall Mount Template



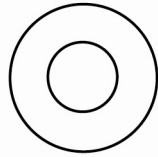
[1] Wall Plate

[2] Brackets (x2)

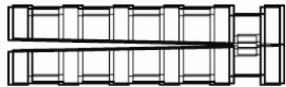




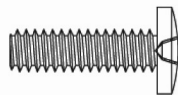
[3] **Lag Bolts**
(x6 - use 4 for wood, 6 for concrete)



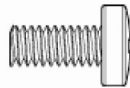
[4] **3/4" Lag Washers**
(x6 - use 4 for wood, 6 for concrete)



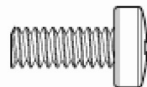
[5] **Anchors** (x6 for concrete)



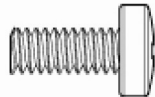
[6] **M6 x 20mm**
(medium-size) **Screws** (x4)



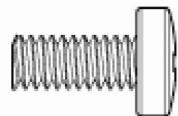
[7] **M4 x 12mm**
(short) **Screws** (x4)



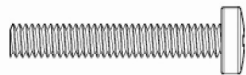
[8] **M5 x 12mm**
(short) **Screws** (x4)



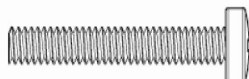
[9] **M6 x 12mm**
(short) **Screws** (x4)



[10] **M8 x 16mm**
(short) **Screws** (x4)



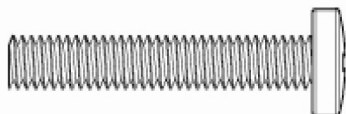
[11] **M4 x 30mm**
(long) **Screws** (x4)



[12] **M5 x 30mm**
(long) **Screws** (x4)



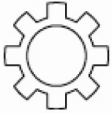
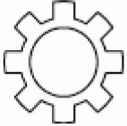
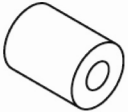
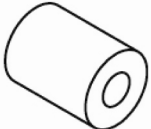
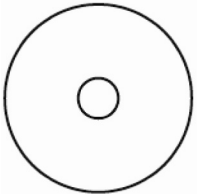
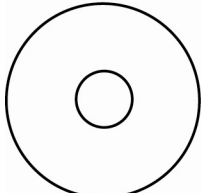


[13] **M6 x 35mm**
(long) **Screws** (x4)



[14] **M8 x 40mm**
(long) **Screws** (x4)



-  [15] **M4 Lock Washers (x4)**
-  [16] **M5 Lock Washers (x4)**
-  [17] **M6 Lock Washers (x4)**
-  [18] **M8 Lock Washers (x4)**
-  [19] **MISC Spacers for M4 & M5 hardware (x4)**
-  [20] **MISC Spacers for M6 & M8 hardware (x4)**
-  [21] **MISC Washers for M4 & M5 hardware (x4)**
-  [22] **MISC Washers for M6 & M8 hardware (x4)**

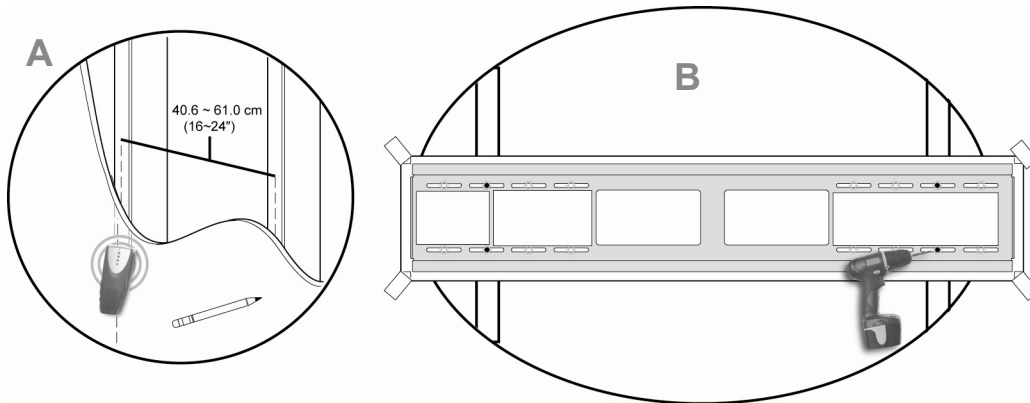


Secure Wall Plate to Wall

Caution: This product is not designed for use in metal stud walls

Wood Stud Walls

Note: You must attach your TV wall mount to a wall that has at least 2" x 4" wood studs to avoid property damage or injury.



A. Locate wall studs

1. Using a stud finder, locate two wood studs that are 16" to 24" apart.
2. With a pencil, mark the location of the studs.

B. Mark and drill holes

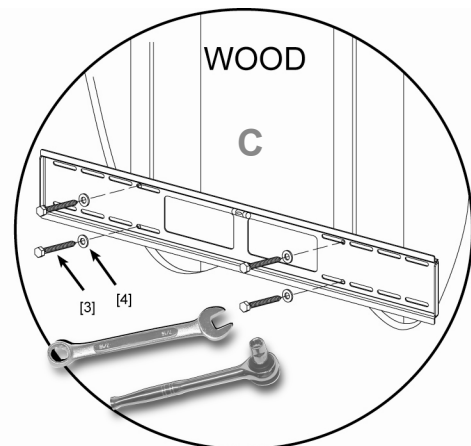
1. Tape the included Wall Mount Template to the wall so the holes align with the studs. Hold the wall plate [1] up to the Wall Mount Template and use the built-in level to make sure the Wall Mount Template is level. Put the wall plate [1] aside.
2. Drill 4 holes with the 3/16" drill bit, 2-1/2" deep. Remove the Wall Mount Template.

C. Anchor mount to wall

1. Using a 1/2" wrench or socket, attach the wall plate [1] to the wall with the supplied lag bolts and washers [3] & [4].
2. Use the level before tightening bolts.

Note: It is important to make sure the wall plate is level.

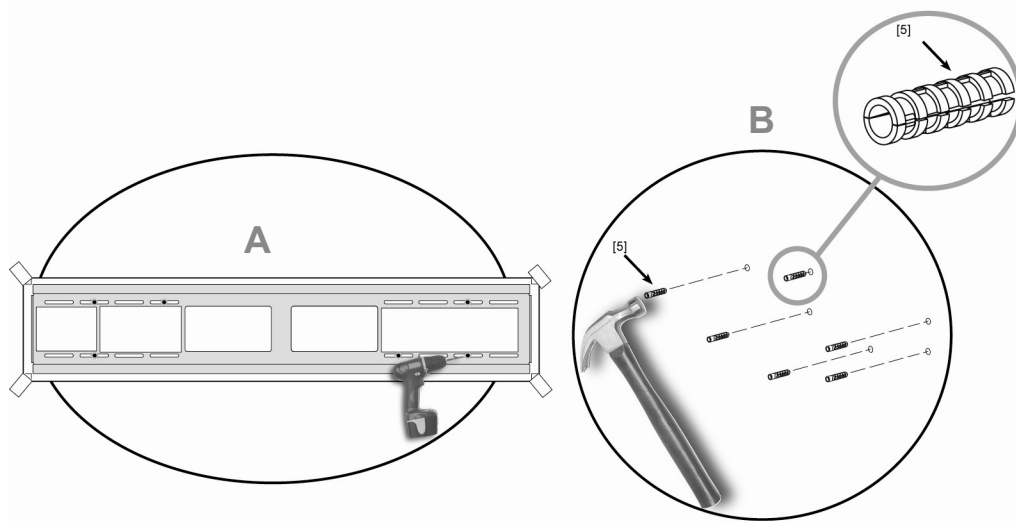
Note: Do not over-tighten lag bolts. Tighten only until they are firmly against the wall plate.



OR



Concrete Walls



A. Mark and drill holes

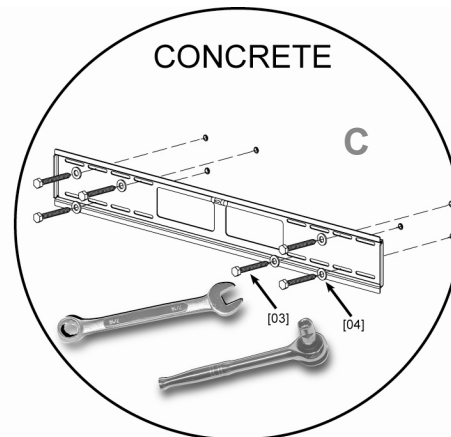
1. Tape the included Wall Mount Template to the wall. Hold the wall plate [1] up to the Wall Mount Template and use the built-in level to make sure it is level. Put the wall plate [1] aside.
2. Drill 6 holes with a 1/2" masonry bit, 2-1/2" deep where indicated. Remove the Wall Mount Template.

B. Install anchors

1. Install the provided anchors [5] in the holes, flush with the wall so that the hinged end faces out.

C. Anchor mount to wall

1. Using a 1/2" wrench or socket, attach the wall plate [1] to the wall with the supplied lag bolts and washers [3] & [4].
 2. Use the level before tightening bolts.
- **Note:** It is important to make sure the wall plate is level.
- **Note:** Do not over-tighten lag bolts. Tighten only until they are firmly against the wall plate.



Step 2 Attach Brackets to TV

- A. Lay your TV face down on a clean, flat surface.
- B. Insert the screws and washers into the desired holes in the brackets [2]. Use the screws provided with your TV if they hold the bracket securely, otherwise use the appropriate screws from those provided.

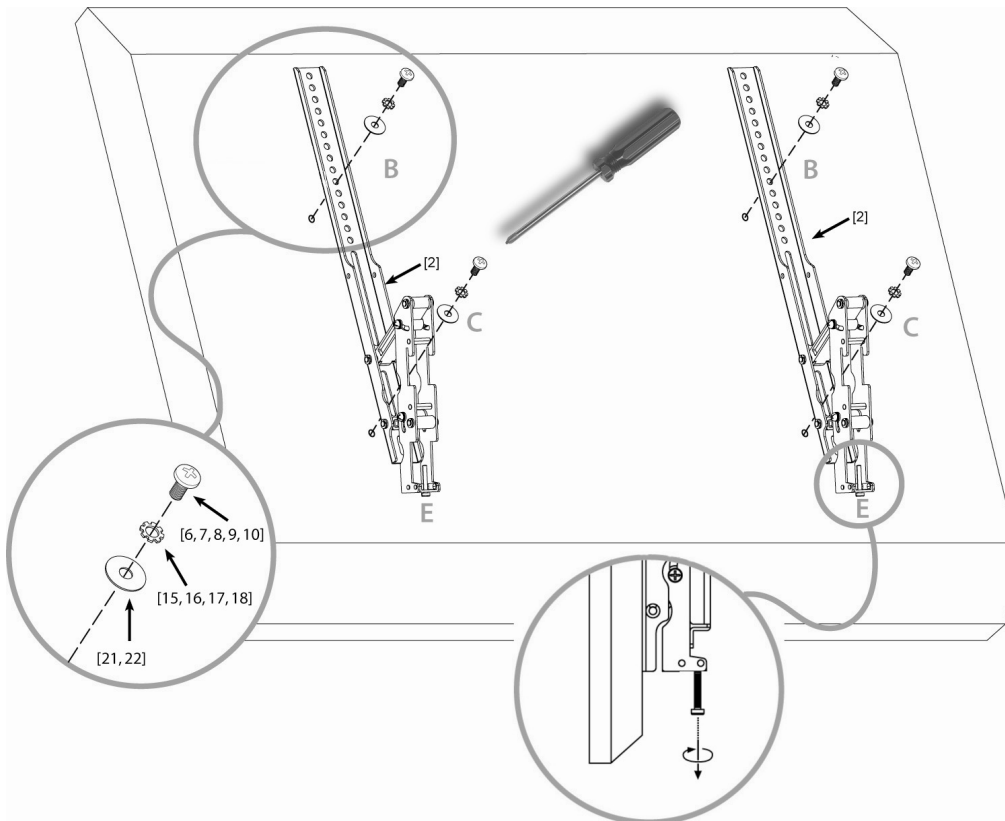


Caution:

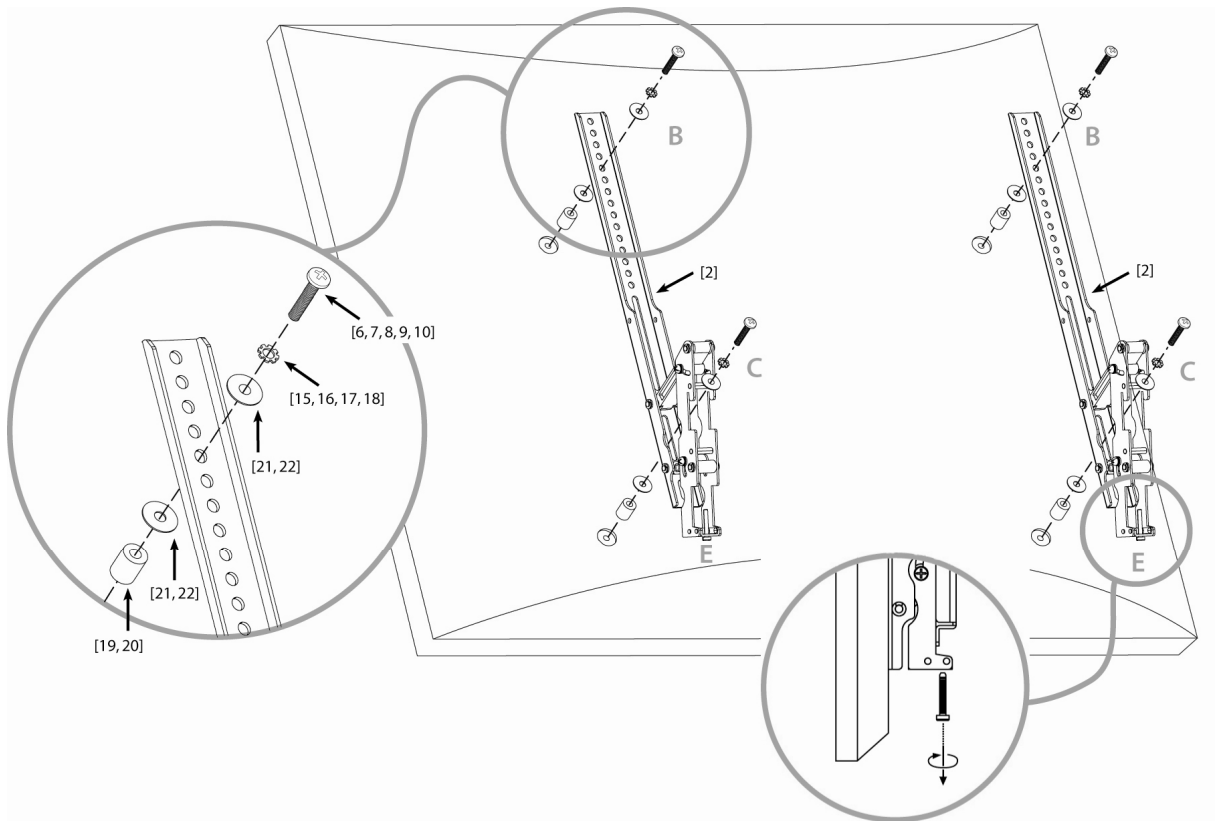
- Using screws that are too long or too short can damage your TV.
- Use spacer [21] with M4 or M5 hardware only.
- Use spacer [22] with M6 or M8 hardware only.
- Depending on the depth of your TV mounting holes, spacers [19] and [20] may be necessary.

- C. Raise the hinged part of the bracket to reveal the hole in the elongated opening and then insert the screws and washers.
- D. Fully tighten the screws.
- E. Loosen both safety screws from the bottom of each wall mount bracket [2].

TV with a Flat Back



TV with a Curved Back

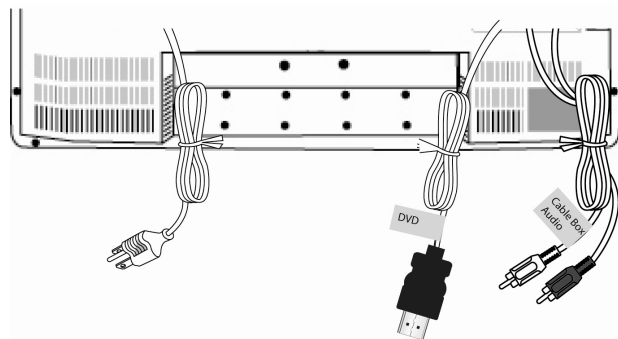


Step 3 Connect Cables to TV

This step requires you to refer to the documentation that is included with your TV. Once you've complete this step, come back to this manual to complete the mounting process.

See the documentation that came with your TV to connect the cables needed for any device (i.e. DVD player, cable box, etc.) you want to connect to your TV. **Do not connect the other end of the cables to the devices yet.** You will do that after your TV is mounted on the wall.

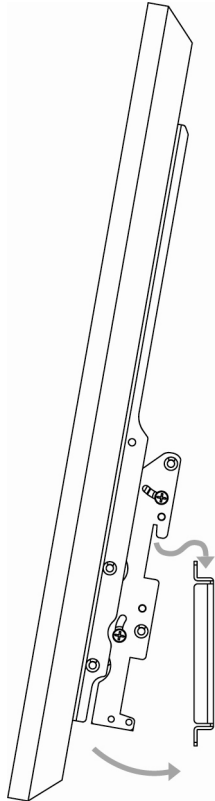
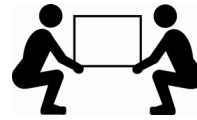
TIP: Create and attach labels to the cables, identifying the cables to make it easier to later connect the cables to the devices.



Step 4 Attach TV to Wall Plate

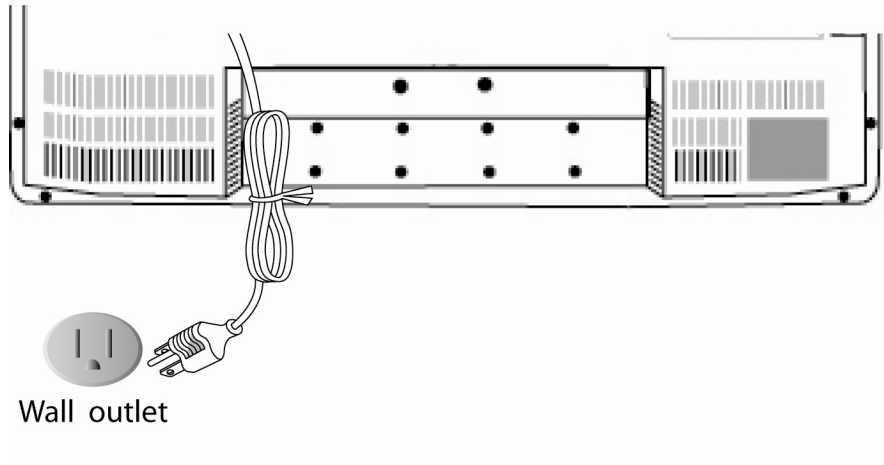


Caution: For safety, we recommend having two people lift your TV onto the mount.



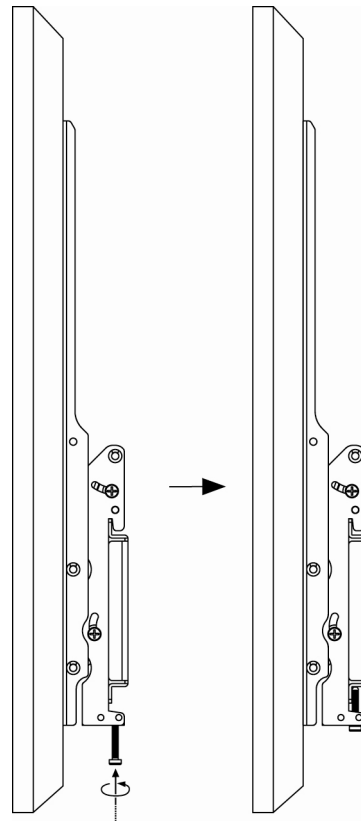
Step 5 Connect Cables and Power

- A. Connect the other ends of the cables that are hanging from your TV to the appropriate devices (i.e. DVD player, cable box, etc.).
- B. Connect the other end of the TV power cable into a wall outlet.



Step 6 Tighten Safety Screws

Tighten safety screws using a Phillips screwdriver.



Telephone & Technical Support

Products are often returned due to a technical problem rather than a defective product that may result in unnecessary shipping charges billed to you. Our trained support personnel can often resolve the problem over the phone. For more information on warranty service or repair, after the warranty period, please contact our Support Department at the number below.

Customer support and quality service are integral parts of VIZIO's commitment to service excellence.

For technical assistance contact our VIZIO Technical Support Department via email or phone.

Email: techsupport@vizio.com

(877) 698-4946 Fax: (949) 585-9563

Hours of operation: Monday - Friday: 6 am to 9 pm

Saturday – Sunday: 8 am to 4 pm

Please have your VIZIO model number, serial number, and date of purchase available before you call.

VIZIO

Address:

39 Tesla

Irvine, CA 92618, USA

Telephone: (949) 428-2525 Fax: 949-585-9514

Web: www.vizio.com

One-Year Limited Warranty & Insurance

Covers units purchased as new in United States and Puerto Rico Only

VIZIO warrants for a period of one (1) year from the date of purchase to the original purchaser of its mounting brackets, that the bracket shall be free from defects in assembly, material, or workmanship and will repair or replace, at its sole discretion, a defective bracket free of charge, provided the bracket is returned to VIZIO with shipping prepaid by purchaser. Unauthorized service or repairs by anyone other than VIZIO or a pre-approved repair facility renders this warranty void and shall release VIZIO from any further responsibility or obligation.

Insurance: VIZIO will repair or replace up to a maximum of \$10,000.00, at its option, any component (television, projector, monitor or screen) which is damaged by a VIZIO bracket's failure to perform* when that product is properly installed** for its intended use. This insurance is subject to the limitations and exclusions set forth herein. VIZIO will repair or replace the damaged television, monitor or screen ("Components") at VIZIO's option, up to an amount equal to the fair market value of the damaged Components or the original purchase price of the equipment, whichever is less, up to \$10,000.00.

Other Terms & Conditions: VIZIO reserves the right to inspect the damaged component, the VIZIO bracket alleged to have failed, and the site where the damage occurred. Damaged Components and bracket must remain available for inspection until the claim is finalized. VIZIO may require you to ship, at your expense, the VIZIO bracket and damaged Component to VIZIO for inspection. VIZIO reserves the right to negotiate the costs of repair. If VIZIO determines, in its sole discretion, that it is impractical to ship the damaged component or bracket, VIZIO may designate, in its sole discretion, a component repair facility to inspect and estimate the cost to repair. The cost, if any, of shipping the Component to and from such repair facility and of such



estimate shall be borne solely by the purchaser. Whenever claims are settled, VIZIO reserves the right to be subrogated under any existing insurance policies the claimant/purchaser may have.

All above warranties and insurance are null and void if: the VIZIO bracket in use during the occurrence is not provided to VIZIO for inspection upon VIZIO's request at the sole expense of the purchaser; or if VIZIO determines that the VIZIO bracket has been improperly installed, altered in any way or tampered with; or if it is determined by VIZIO that the damage did not result from the VIZIO product's failure or that in fact no occurrence took place; or the repair or replacement of the damaged Component is covered under a manufacturer's warranty; or VIZIO determines that the Component was not used under normal operating conditions or in accordance with any labels or instructions. Improper installation voids this Limited Warranty & Insurance. VIZIO's Limited Warranty & Insurance only protects against damage to properly connected and installed Components where VIZIO has determined, in its sole discretion, that the damage resulted from a VIZIO bracket's failure, and does not protect against acts of God such as flood, earthquake, war, vandalism, theft, normal-use wear and tear, corrosion, misuse or abuse. Any damage caused by failure to observe instructions for installation, or product limitations specified in the product manual or product specification sheet, or mounting on unsuitable surfaces will not be covered by the VIZIO's Limited Warranty & Insurance.

The protections described herein shall be IN LIEU OF any other warranty, express or implied, including but not limited to, any warranty of MERCHANTABILITY or FITNESS FOR A PARTICULAR PURPOSE.

In no event shall VIZIO be liable for incidental, special, direct, indirect consequential or multiple damages such as, but not limited to, lost business or profits arising out of the sale, use or inability to sell or use any VIZIO products, even if advised of the possibility of damages. This Limited Warranty & Insurance gives you specific legal rights, and you may also have other rights, which may vary from state to state. Some states do not allow the exclusion of limitation of incidental or consequential damage so the above limitations may not apply to you.

This Limited Warranty & Insurance is valid only for the original purchaser of the product and only if the original purchaser registers the purchase on-line at www.VIZIO.com or by mailing a copy of the purchase receipt (showing the date of purchase) and product warranty registration card to VIZIO, 39 Tesla, Irvine, CA 92618. All damage claims must be made to VIZIO within fifteen (15) days from the date of the occurrence and must be accompanied by the purchase receipt for the damaged bracket or this Limited Warranty & Insurance is void. This Limited Warranty & Insurance is only valid in USA and Canada. To make a warranty or insurance claim, please call (877) MY VIZIO (877-698-4946) within fifteen (15) days of the occurrence. Please provide to us or have the following information available:

- a. The date of the occurrence and the part number of the VIZIO bracket involved.
- b. The Component that was used with the VIZIO bracket at the time of the occurrence.
- c. The Component that was damaged during the occurrence and the extent of the damage.
- d. A detailed description of any additional damage from the occurrence.***
- e. A legible copy of the original receipt showing the place and date of purchase of the VIZIO bracket.
- f. A legible copy of the original receipt for the damaged Component.
- g. Photo(s) of any claimed damage.
- h. Serial number which is located on the carton box and the wall plate.

* Failure to perform in accordance with that bracket's specifications sheet or product manual.

** Properly installed in accordance with that bracket's installation instruction sheet or bracket manual and only when mounted on approved surfaces.

***VIZIO reserves the right to require additional supporting evidence to substantiate any additional damage claims.



Free Manuals Download Website

<http://myh66.com>

<http://usermanuals.us>

<http://www.somanuals.com>

<http://www.4manuals.cc>

<http://www.manual-lib.com>

<http://www.404manual.com>

<http://www.luxmanual.com>

<http://aubethermostatmanual.com>

Golf course search by state

<http://golfingnear.com>

Email search by domain

<http://emailbydomain.com>

Auto manuals search

<http://auto.somanuals.com>

TV manuals search

<http://tv.somanuals.com>