

VIZIO

QUICK INSTALL SLIM HDTV MOUNT

UNIVERSAL FOR 32" - 55" TVS UP TO 100 LBS

XMF1000 - QUICK INSTALL GUIDE

Download from www.Somanuals.com. All Manuals Search And Download.

IMPORTANT SAFETY INFORMATION



Read the Important Safety Information on this page before installing or using this mounting system.



Always follow the instructions in this Quick Install Guide. VIZIO is not liable for damage or injury caused by incorrect mounting, assembly, or use.



This mount fits most screens from 32" to 55".



This mounting system supports a maximum weight of 100 lbs and a maximum screen size of 55". Attaching a screen that is larger or heavier than specified above may result in personal injury or damage to your TV.



If you have any doubts about the ability of the wall to support the mounting system or your TV, do not install the mounting system. Contact a qualified contractor.



Only attach this mount system to vertical walls as instructed in this Quick Install Guide.



This mounting system is for indoor use only.



Keep all contents of this box away from small children. This product contains small items that could be a choking hazard if swallowed.

STEP 1 - BEFORE YOU BEGIN

Before you begin the installation, ensure you have all of the items listed on this page. Do not begin the installation unless you have **all** of the following items.



Mounting a TV requires power tools. If you are unfamiliar with safe power tool use, consult a professional installer.



Mounting a TV requires lifting. To make the installation easier and safer, have someone help you. Always lift properly.

TWO-PERSON JOB



YOU WILL NEED



Power Drill



1/2" (12.7mm) Concrete Drill Bit



7/32" (5.5mm) Drill Bit



Pencil



Phillips-head Screwdriver



Electronic Stud Finder



1/2" Wrench

Not Included

STEP 2 - REVIEW THE PACKAGE CONTENTS



Before you begin, ensure all parts are included and undamaged. To prevent loss, do not unpack the small parts until they are required. If any parts are missing or damaged, contact VIZIO Customer Service (877) 698-4946.



A

x 2



B

x 2



C

x 1



D

x 1



E

x 1



F

x 1



G

x 2



H

x 1



I

x 1

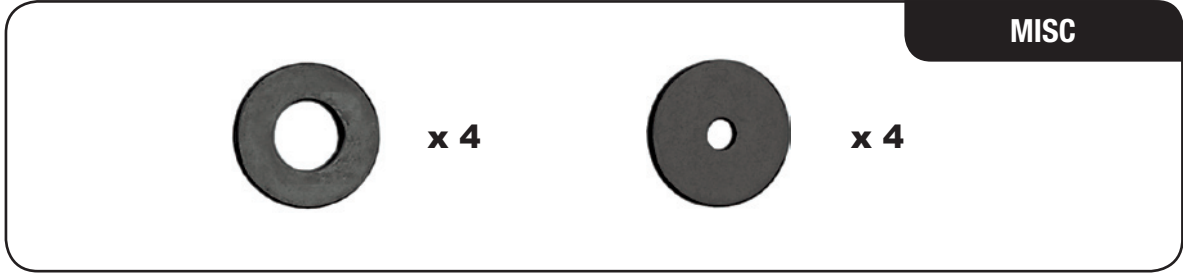
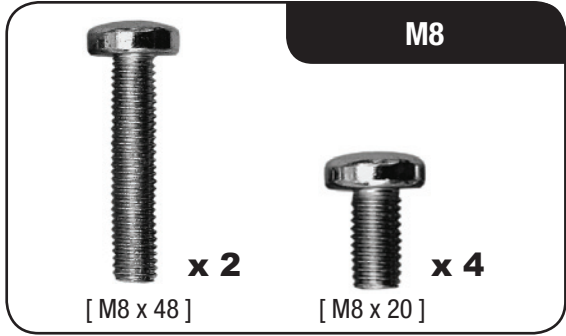
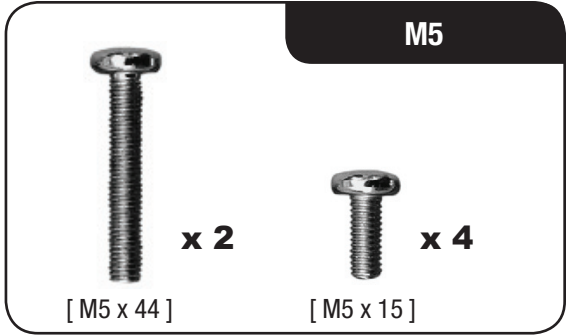
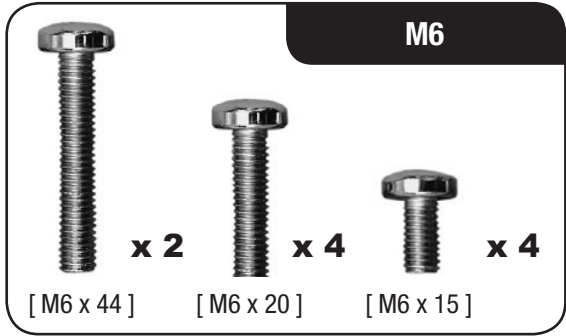
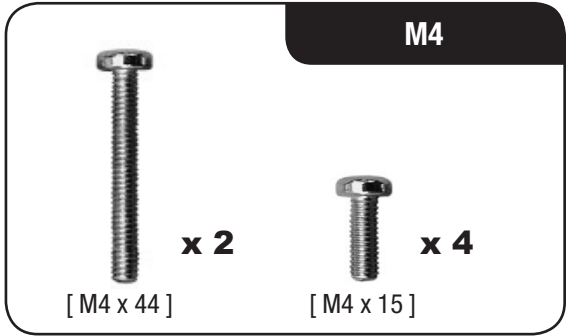


J

x 1



x 1



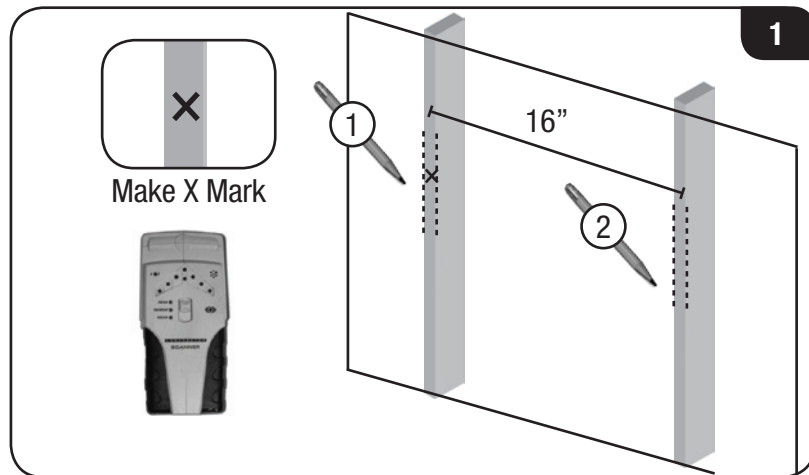
STEP 3A - MOUNTING TO A WALL WITH WOOD STUDS

The mount can be attached to walls with wood studs. The wall covering (drywall, lath, plaster, etc.) may not be thicker than 1/2".

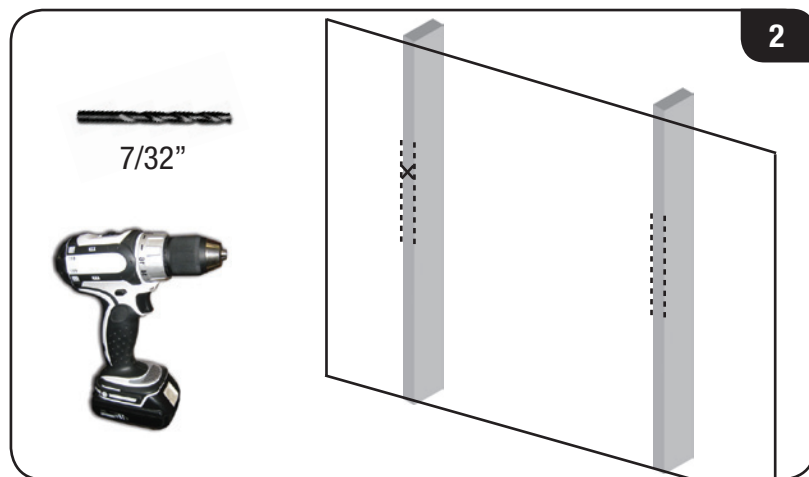
If you are mounting on a concrete wall, go to Step 3B on page 10.

1. Use the electronic stud finder to locate two studs in the wall. The studs should be approximately 16" apart. Use the pencil to mark the areas of the wall where the studs are located.

Mark the left stud with an **X** at the height you want to mount the TV.

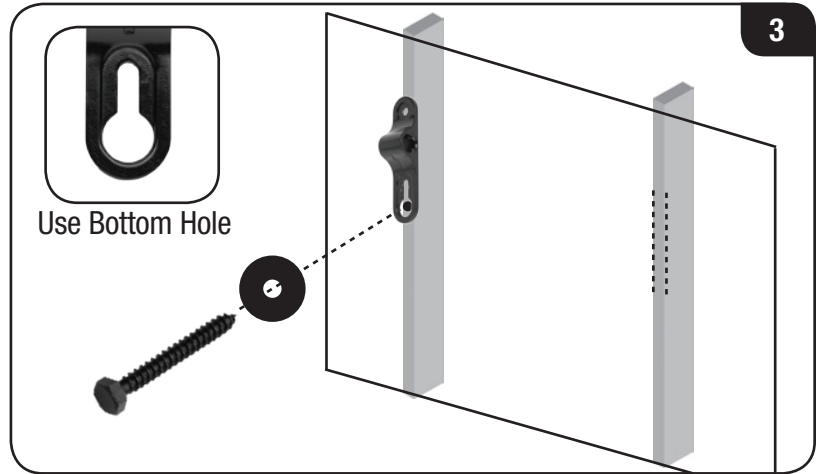


2. Using the power drill and the 7/32" drill bit, drill into the **X** mark you just made. **Ensure you are drilling into the stud.** Drill the hole about 2" into the stud.



3. Remove **1 lag bolt** and **1 washer** from the pouch labeled **LAG**.

Place **part A** against the wall as shown, and use a wrench to insert the lag bolt and washer into the hole you just drilled.

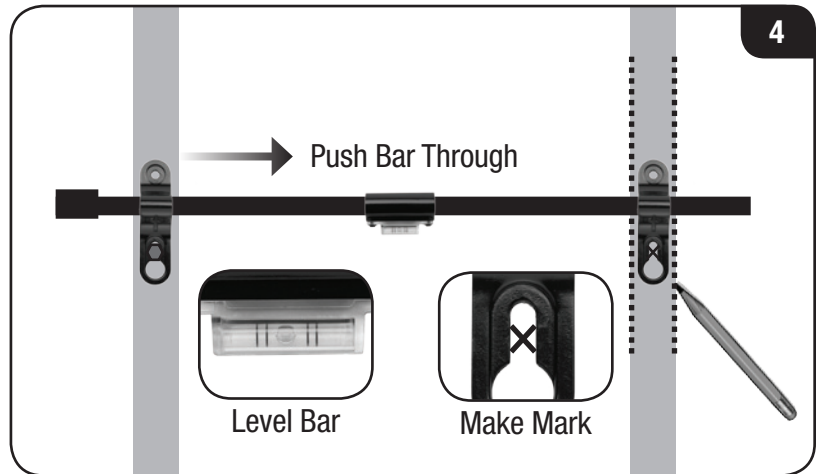


4. Push the bar through the opening in the bracket (**part A**) as shown.

Push the other bracket (**part A**) onto the bar and hold it flat against the wall. **Ensure it is over the stud.**

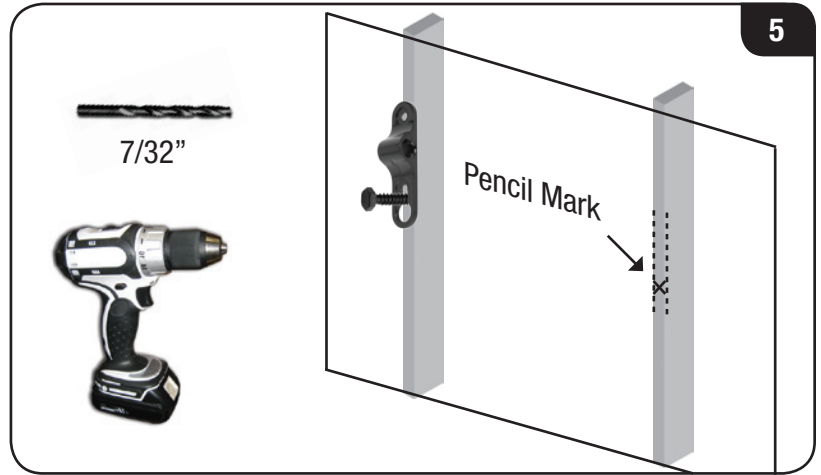
Snap on the leveler (**part E**) and level the bar.

Mark the location of the hole in the bracket as shown.



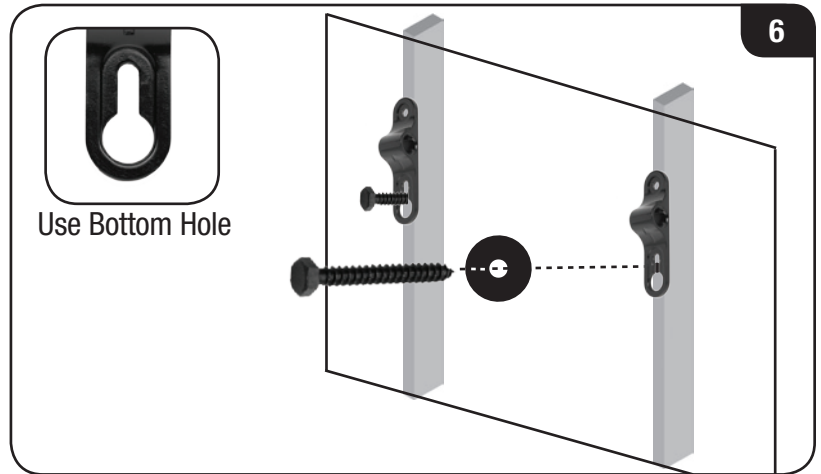
5. Remove the bar, the leveler, and the unattached bracket (**part A**) from the wall.

Using the power drill and the 7/32" drill bit, drill into the pencil mark as shown. **Ensure you are drilling into the stud.** Drill the hole about 2" into the stud.



6. Remove **1 lag bolt** and **1 washer** from the pouch labeled **LAG**.

Place the other bracket (**part A**) against the wall as shown, and use a wrench to insert the lag bolt and washer into the hole you just drilled. Do not insert the lag bolts completely. Leave 1/2" of the bolt showing.



7. Push the bar through the openings in each bracket (**part A**) as shown.

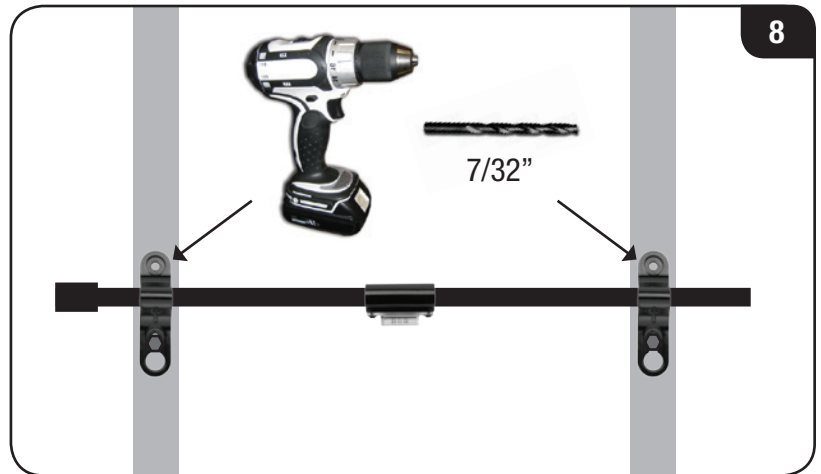
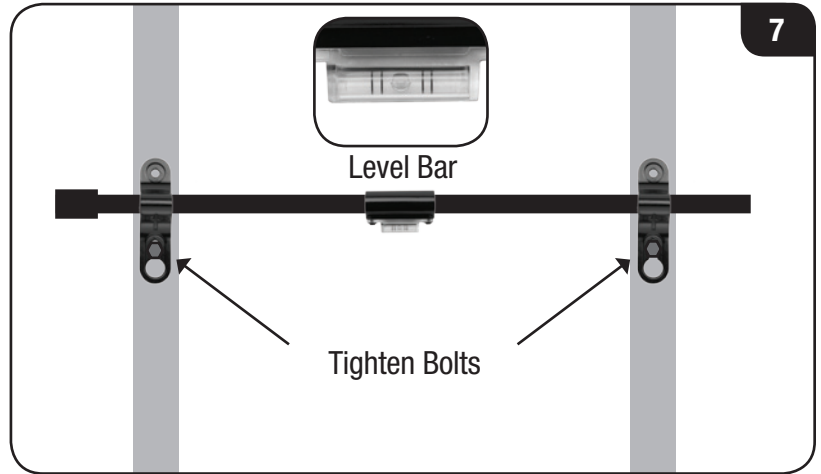
Snap on the leveler (**part E**) and verify that the bar is level.

Make any small adjustments, then use a wrench to tighten the 2 lag bolts completely.



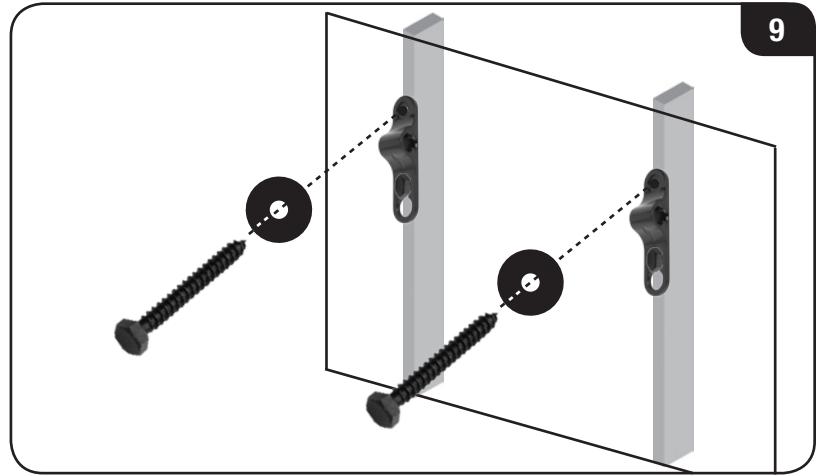
The bar can be inserted from right to left or left to right, depending on the end of the bar to which you would like the handle attached.

8. Using the power drill and the 7/32" drill bit, drill into the top 2 holes as shown. **Ensure you are drilling into the stud.** Drill the hole about 2" into the stud.



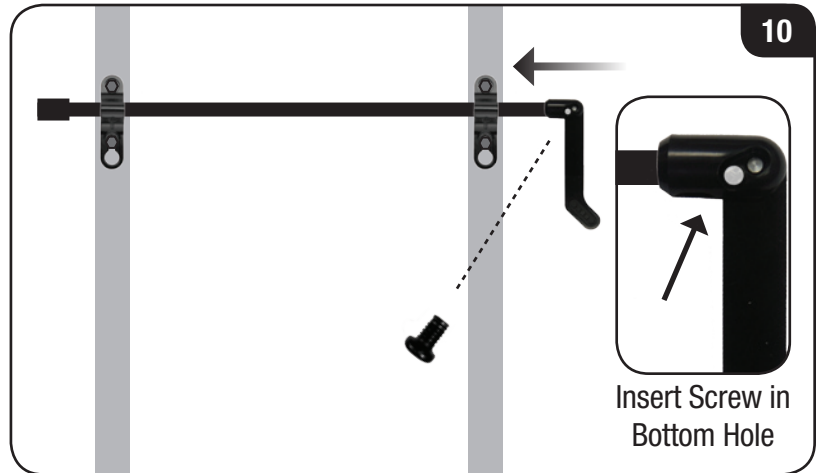
9. Remove **2 lag bolts** and **2 washers** from the pouch labeled **LAG**.

Use a wrench to insert the lag bolts and washers as shown. Tighten the bolts completely.



10. Attach the handle (**part F**) to the end of the bar.

Secure the handle to the bar by inserting a screw (**part H**) into the bottom hole on the handle. Tighten the screw completely.



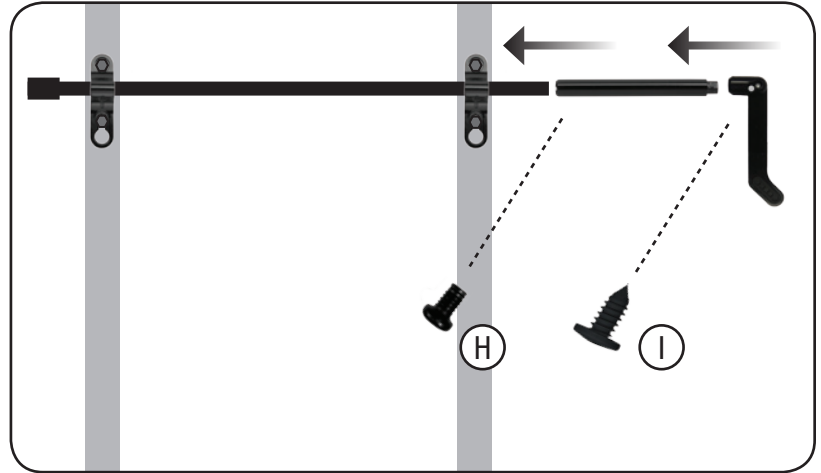
OPTIONAL: The extender can be attached to lengthen the bar. A longer bar may be easier to access when mounting large TVs.

To attach the extender, push it onto the end of the bar.

Secure the extender to the bar by inserting a screw (**part H**) into the bottom hole on the extender. Tighten the screw completely.

Secure the handle to the extender by inserting a screw (**part I**) into the bottom hole on the handle. Tighten the screw completely.

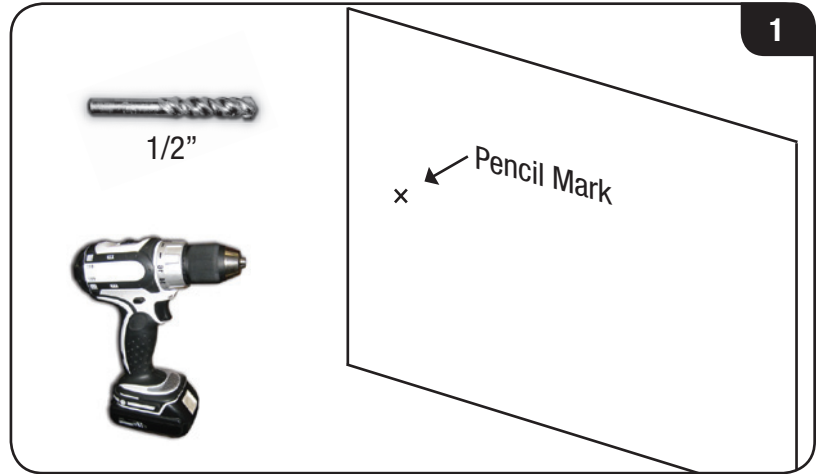
Go to Step 4 on page 15.



STEP 3B - MOUNTING TO A CONCRETE WALL

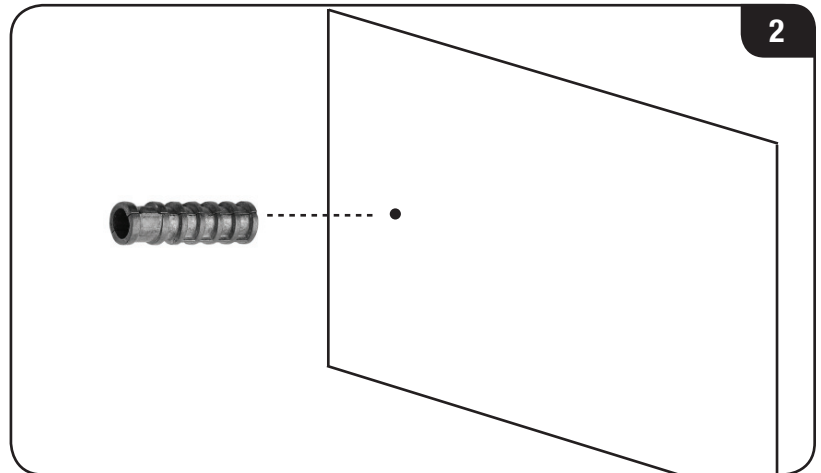
1. Determine the height at which you want the mount to hang. Mark the position of the left bracket hole with a pencil.

Using the power drill and the 1/2" concrete drill bit, drill a hole into the pencil mark. Drill about 2 1/2" deep.



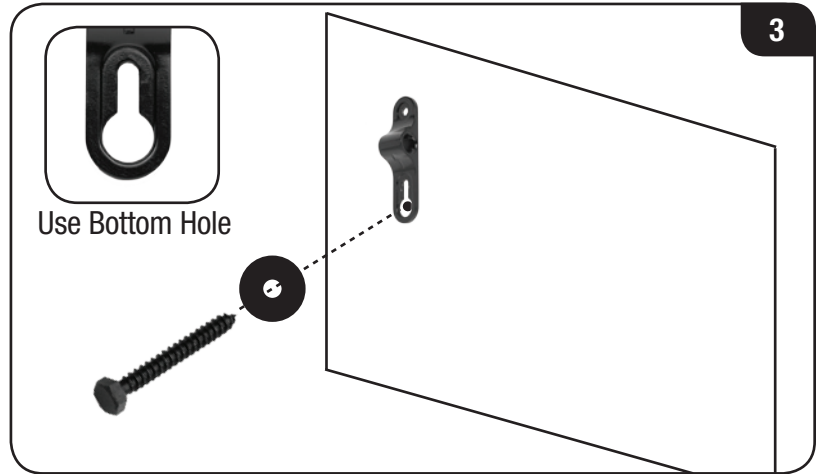
2. Remove **1 anchor** from the pouch labeled **ANCHOR**.

Push the anchor into the hole you just drilled. Ensure the anchor is completely inserted and flush with the wall.



3. Remove **1 lag bolt** and **1 washer** from the pouch labeled **LAG**.

Place a bracket (**part A**) against the wall as shown, and use a wrench to insert the lag bolt and washer into the anchor.

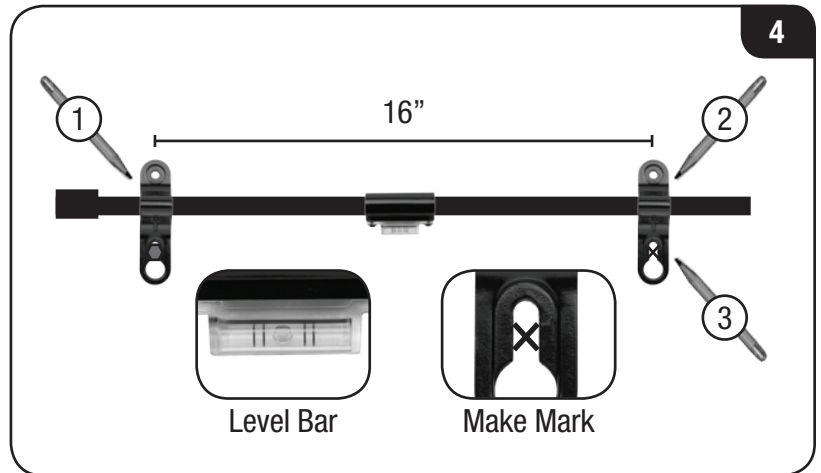


4. Push the bar through the opening in the bracket (**part A**) as shown.

Push the other bracket (**part A**) onto the bar and hold it flat against the wall. **Ensure it is at least 16" from the other bracket.**

Snap on the leveler (**part E**) and level the bar.

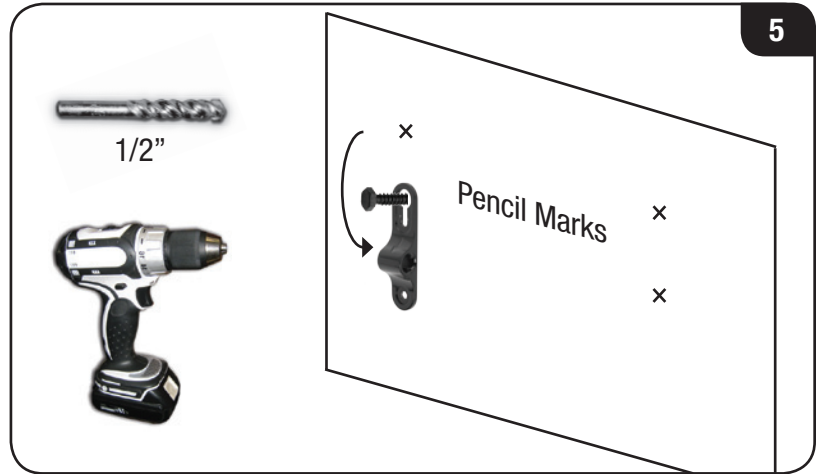
Mark the location of the 3 holes on the brackets as shown.



5. Remove the bar, the leveler, and the unattached bracket (**part A**) from the wall.

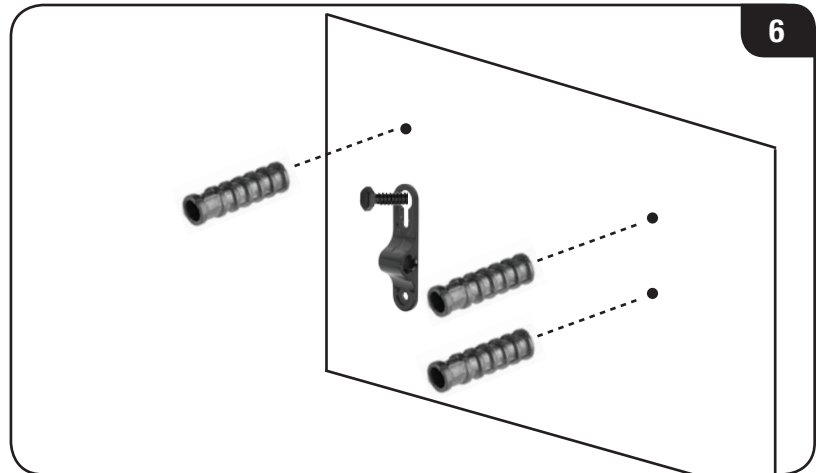
Allow the attached bracket to swing down.

Using the power drill and the 1/2" concrete drill bit, drill into the 3 pencil marks as shown. Drill each hole about 2 1/2" deep.



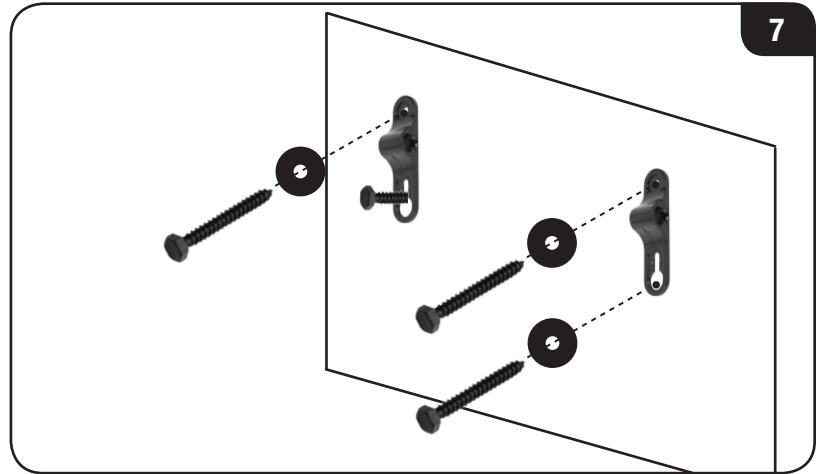
6. Remove **3 anchors** from the pouch labeled **ANCHOR**.

Push the anchors into the holes you just drilled. Ensure the anchors are completely inserted and flush with the wall.



7. Remove **3 lag bolts** and **3 washers** from the pouch labeled **LAG**.

Place the other bracket (**part A**) against the wall as shown, and use a wrench to insert the lag bolts and washers into the anchors. Do not insert the lag bolts completely. Leave 1/2" of the bolts showing.



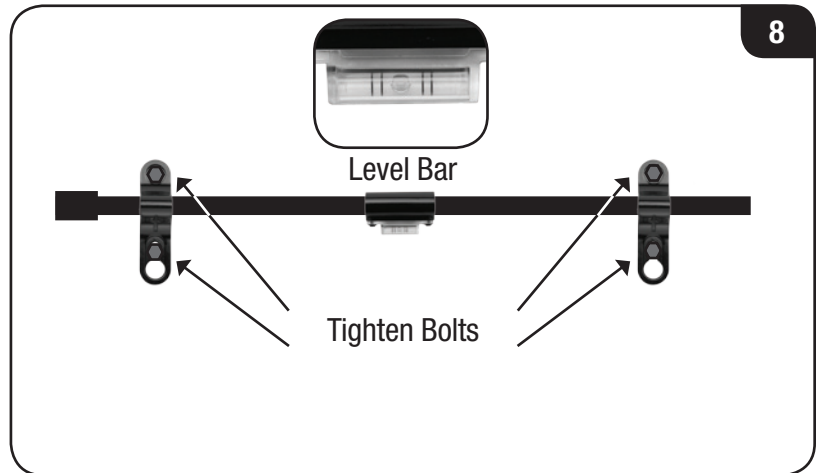
8. Push the bar through the openings in each bracket (**part A**) as shown.

Snap on the leveler (**part E**) and verify that the bar is level.

Make any small adjustments, then use a wrench to tighten the 4 lag bolts completely.

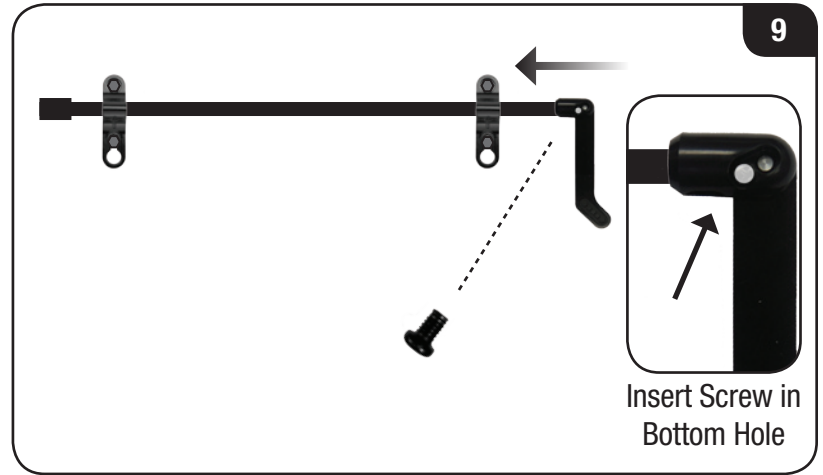


The bar can be inserted from right to left or left to right, depending on the end of the bar to which you would like the handle attached.



9. Attach the handle (**part F**) to the end of the bar.

Secure the handle to the bar by inserting a screw (**part H**) into the bottom hole on the handle. Tighten the screw completely.



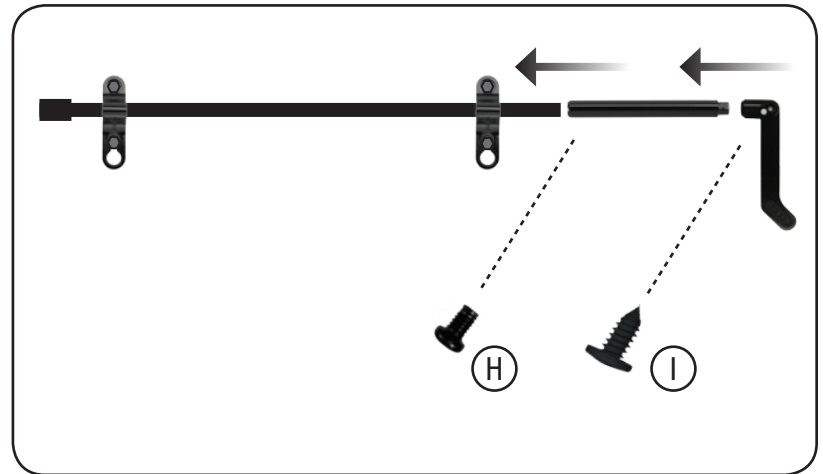
OPTIONAL: The extender can be attached to lengthen the bar. A longer bar may be easier to access when mounting large TVs.

To attach the extender, push it onto the end of the bar.

Secure the extender to the bar by inserting a screw (**part H**) into the bottom hole on the extender. Tighten the screw completely.

Secure the handle to the extender by inserting a screw (**part I**) into the bottom hole on the handle. Tighten the screw completely.

Go to Step 4 on page 15.



STEP 4 - ATTACHING THE TV HOOKS AND KICK STANDS

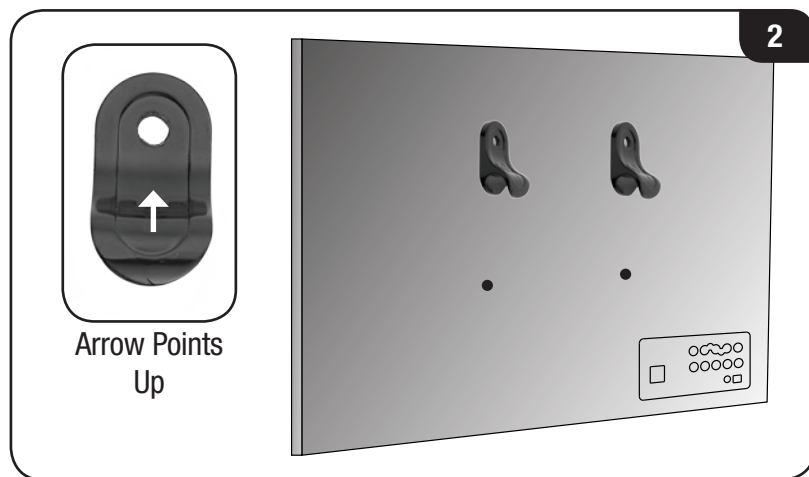
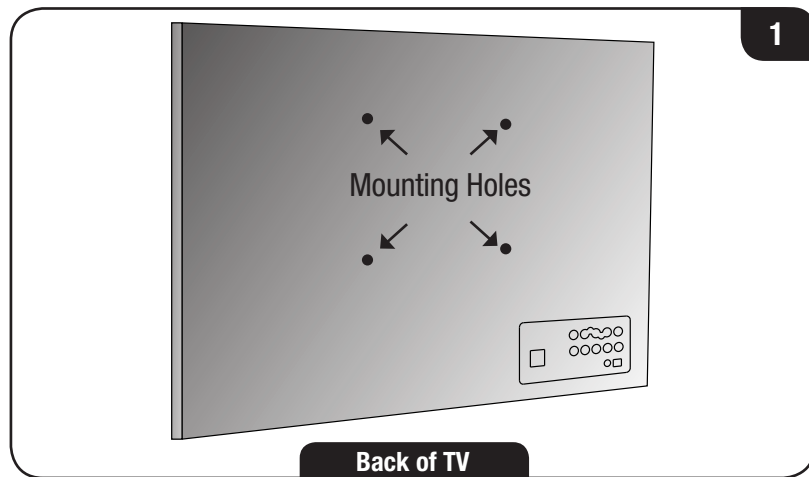
1. Gently place the TV on the floor screen-down. You may want to place a rug or blanket beneath the screen to prevent scratches.

In your TV's User Guide, find the size and depth of your TV's mounting holes. These will be listed as **M4**, **M5**, **M6**, or **M8**.

Open the pouch labeled with the size that matches your TV's mounting holes. If you do not have the User Guide, or the size is not listed, you may have to try several sizes until you find one that fits.

2. Place the 2 TV hooks (**part B**) against the top 2 mounting holes as shown.

If you want your TV to have a 9° downward tilt when mounted, see the next page for spacer installation instructions.



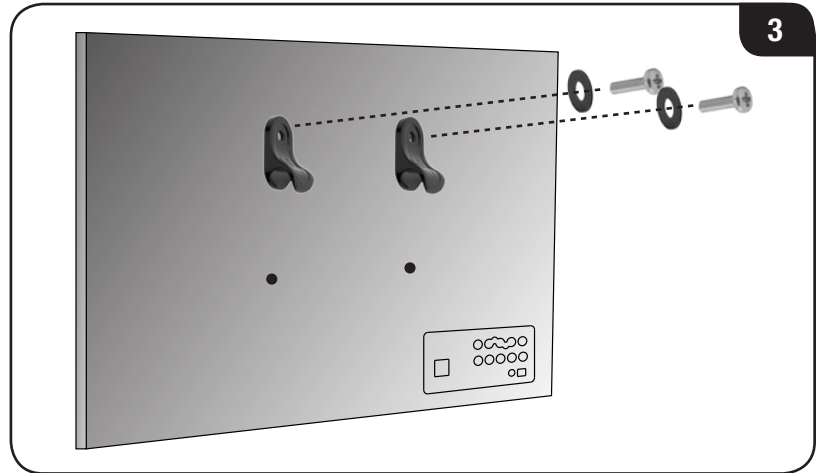
OPTIONAL: If you want your TV to have a 9° downward tilt when mounted, use the spacers (**part G**) and the longer screws when mounting the TV hooks.



3. Using the screwdriver, insert the screws and washers as shown.

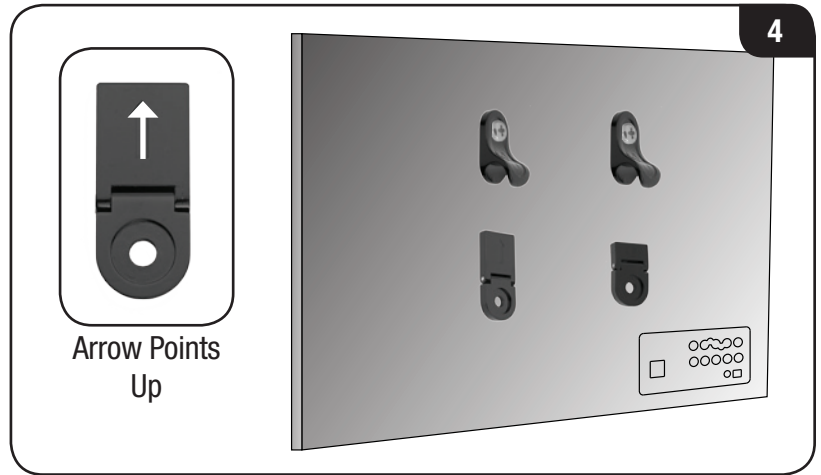
Because each TV is different, your VIZIO TV mount includes screws of different lengths. Use screws that can be inserted completely.

Do not use a short screw if a longer screw can be inserted completely.



4. Place the two kickstands (**parts C and D**) against the two bottom mounting holes as shown.

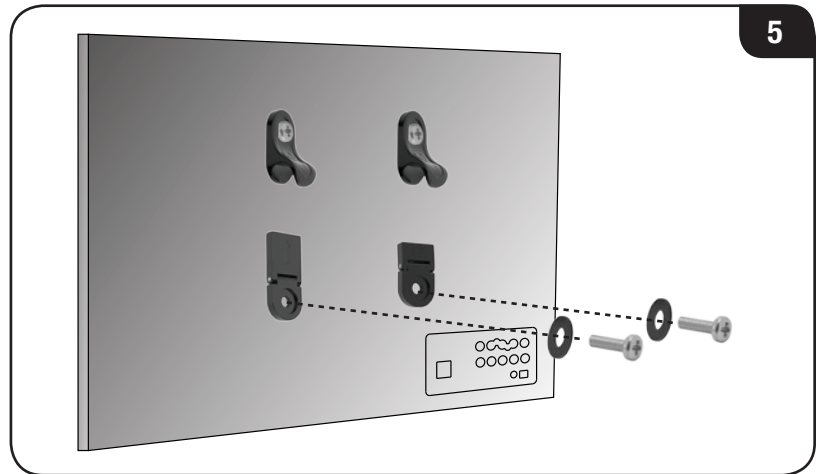
The larger kickstand can be placed on either the left or right mounting hole.



5. Using the screwdriver, insert the screws and washers as shown.

Do not use a short screw if a longer screw can be inserted completely.

Go to Step 5 on page 18.

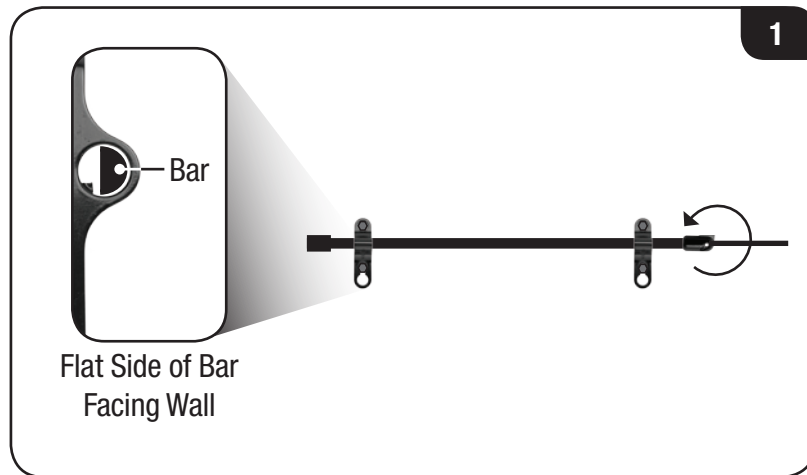


STEP 5 - HANGING THE TV ON THE MOUNT

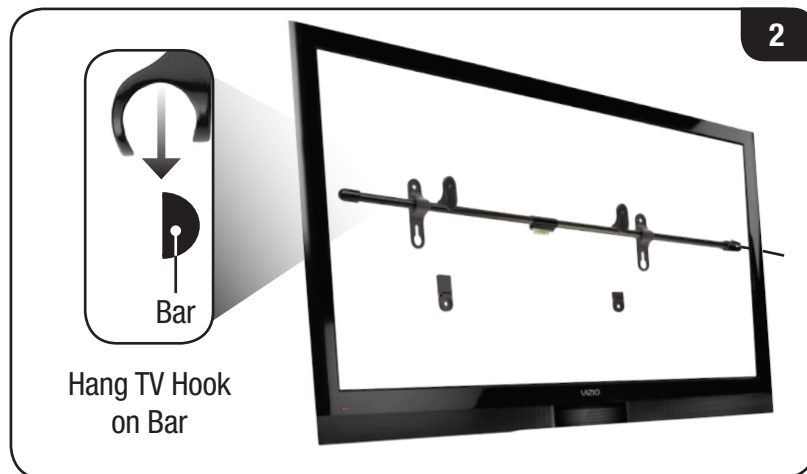


This step requires lifting the TV. To prevent injury to yourself or damage to your TV, perform this step with the help of another person.

1. Turn the handle on the bar until the flat side of the bar is facing the wall.



2. **With the help of another person**, lift the TV and hang the TV hooks on the bar as shown.

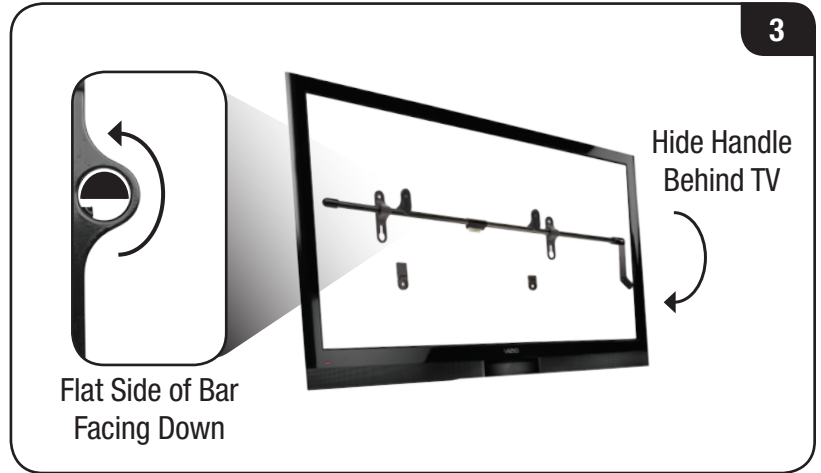


3. Turn the handle on the bar until the flat side of the bar is facing down.

Ensure the flat side of the bar is facing down. This locks the TV to the bar. If the flat side of the bar is not facing down, your TV is not locked to the bar.

Adjust the position of the TV by sliding it to the left or right.

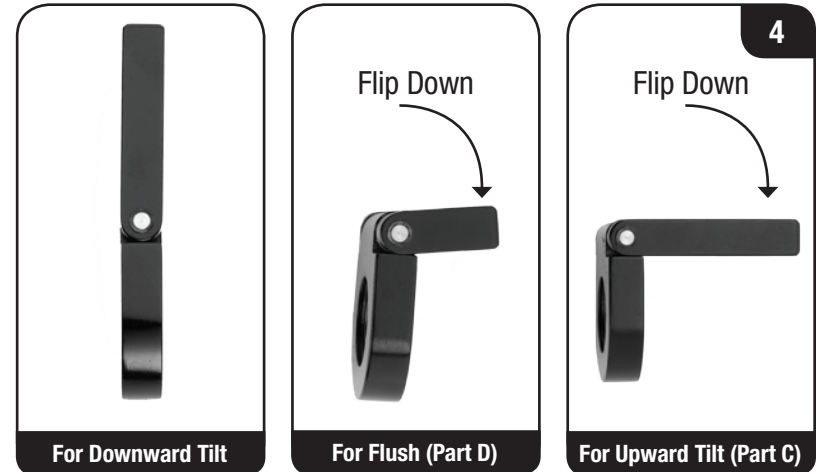
Hide the handle behind the TV by swinging it downward as shown.



4. **To give the TV a downward tilt**, leave both kickstands flat against the back of the TV.

To keep the TV flush, flip down the small kickstand (**part D**).

To give the TV an upward tilt, flip down the large kickstand (**part C**). This is useful when attaching cables to the back of the TV.



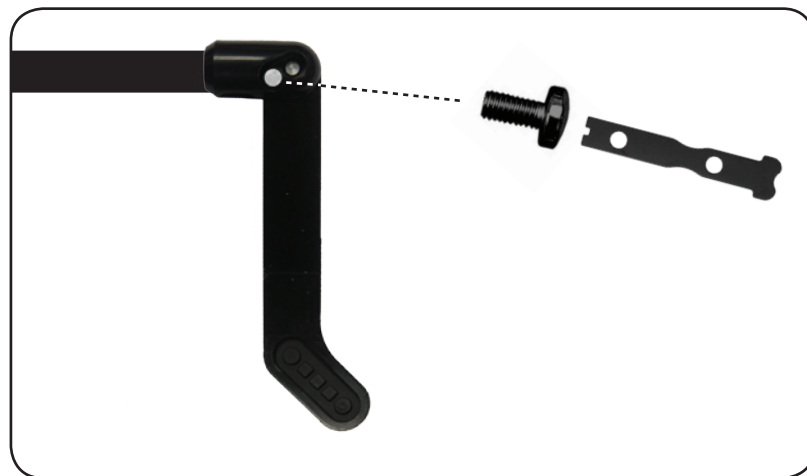
OPTIONAL: Your mount includes an anti-theft device. Attaching this device prevents the TV from being removed from the mount.

To attach the device, remove the **security screw** and the **locking tool** from the pouch (**part J**). Insert the security screw as shown and use the locking tool to tighten.

Be sure to save the locking tool. You will need it to remove the security screw in the future. The mount setup is complete.



To remove the TV from the mount, perform Step 5 in reverse.



TECHNICAL SUPPORT

Products are often returned due to a technical problem rather than a defective product that may result in unnecessary shipping charges billed to you. Our trained support personnel can often resolve the problem over the phone. For more information on warranty service or repair, after the warranty period, please contact our Support Department at the number below.

Customer support and quality service are integral parts of VIZIO's commitment to service excellence. For technical assistance contact our VIZIO Technical Support Department via email or phone. Please have your VIZIO model number, serial number, and date of purchase available before your call.

Address: 39 Tesla
Irvine, CA 92618, USA
Phone: (877) 698-4946
Fax: (949) 585-9563
Email: techsupport@vizio.com
Web: www.vizio.com

Hours of operation:
Monday - Friday: 6 am to 9 pm (PST)
Saturday - Sunday: 8 am to 4pm (PST)

ONE-YEAR LIMITED WARRANTY & INSURANCE

Covers units purchased as new in United States and Puerto Rico Only VIZIO warrants for a period of one (1) year from the date of purchase to the original purchaser of its mounting brackets, that the bracket shall be free from defects in assembly, material, or workmanship and will repair or replace, at its sole discretion, a defective bracket free of charge, provided the bracket is returned to VIZIO with shipping prepaid by purchaser. Unauthorized service or repairs by anyone other than VIZIO or a pre-approved repair facility renders this warranty void and shall release VIZIO from any further responsibility or obligation.

Insurance

VIZIO will repair or replace up to a maximum of \$10,000.00, at its option, any component (television, projector, monitor or screen) which is damaged by a VIZIO bracket's failure to perform* when that product is properly installed** for its intended use. This insurance is subject to the limitations and exclusions set forth herein. VIZIO will repair or replace the damaged television, monitor or screen ("Components") at VIZIO's option, up to an amount equal to the fair market value of the damaged Components or the original purchase price of the equipment, whichever is less, up to \$10,000.00.

Other Terms & Conditions

VIZIO reserves the right to inspect the damaged component, the VIZIO bracket alleged to have failed, and the site where the damage occurred. Damaged Components and bracket must remain available for inspection until the claim is finalized. VIZIO may require you to ship, at your expense, the VIZIO bracket and damaged Component to VIZIO for inspection. VIZIO reserves the right to negotiate the costs of repair. If VIZIO determines, in its sole discretion, that it is impractical to ship the damaged component or bracket, VIZIO may designate, in its sole discretion, a component repair facility to inspect and estimate the cost to repair. The cost, if any, of shipping the Component to and from such repair facility and of such estimate shall be borne solely by the purchaser. Whenever claims are settled, VIZIO reserves the right to be subrogated under any existing insurance policies the claimant/purchaser may have.

All above warranties and insurance are null and void if: the VIZIO bracket in use during the occurrence is not provided to VIZIO for inspection upon VIZIO's request at the sole expense of the purchaser; or if VIZIO determines that the VIZIO bracket has been improperly installed, altered in any way or tampered with; or if it is determined by VIZIO that the damage did not result from the VIZIO product's failure or that in fact no occurrence took place; or the repair or replacement of the damaged Component is covered under a manufacturer's warranty; or VIZIO determines that the Component was not used under normal operating conditions or in accordance with any labels or instructions. Improper installation voids this Limited Warranty & Insurance. VIZIO's Limited Warranty & Insurance only protects against damage to properly connected and installed Components where VIZIO has determined, in its sole discretion, that the damage resulted from a VIZIO bracket's failure, and does not protect against acts of God such as flood, earthquake, war, vandalism, theft, normal-use wear and

tear, corrosion, misuse or abuse. Any damage caused by failure to observe instructions for installation, or product limitations specified in the product manual or product specification sheet, or mounting on unsuitable surfaces will not be covered by the VIZIO's Limited Warranty & Insurance.

The protections described herein shall be IN LIEU OF any other warranty, express or implied, including but not limited to, any warranty of MERCHANTABILITY or FITNESS FOR A PARTICULAR PURPOSE.

In no event shall VIZIO be liable for incidental, special, direct, indirect consequential or multiple damages such as, but not limited to, lost business or profits arising out of the sale, use or inability to sell or use any VIZIO products, even if advised of the possibility of damages. This Limited Warranty & Insurance gives you specific legal rights, and you may also have other rights, which may vary from state to state. Some states do not allow the exclusion of limitation of incidental or consequential damage so the above limitations may not apply to you. This Limited Warranty & Insurance is valid only for the original purchaser of the product and only if the original purchaser registers the purchase on-line at www.VIZIO.com or by mailing a copy of the purchase receipt (showing the date of purchase) and product warranty registration card to VIZIO, 39 Tesla, Irvine, CA 92618. All damage claims must be made to VIZIO within fifteen (15) days from the date of the occurrence and must be accompanied by the purchase receipt for the damaged bracket or this Limited Warranty & Insurance is void. This Limited Warranty & Insurance is only valid in USA and Canada. To make a warranty or insurance claim, please call (877) MY VIZIO (877-698-4946) within fifteen (15) days of the occurrence.

Please provide to us or have the following information available:

- a. The date of the occurrence and the part number of the VIZIO bracket involved.
- b. The Component that was used with the VIZIO bracket at the time of the occurrence.
- c. The Component that was damaged during the occurrence and the extent of the damage.
- d. A detailed description of any additional damage from the occurrence.***
- e. A legible copy of the original receipt showing the place and date of purchase of the VIZIO bracket.
- f. A legible copy of the original receipt for the damaged Component.
- g. Photo(s) of any claimed damage.
- h. Serial number.

* Failure to perform in accordance with that bracket's specifications sheet or product manual.

** Properly installed in accordance with that bracket's installation instruction sheet or bracket manual and only when mounted on approved surfaces.

***VIZIO reserves the right to require additional supporting evidence to substantiate any additional damage claims.

**TRADEMARKS SHOWN ARE THE PROPERTY OF THEIR RESPECTIVE OWNERS. IMAGES USED ARE FOR ILLUSTRATION PURPOSES ONLY. VIZIO, THE V LOGO, WHERE VISION MEETS VALUE, AND OTHER VIZIO TRADEMARKS ARE THE INTELLECTUAL PROPERTY OF VIZIO INC. PRODUCT FEATURES AND SPECIFICATIONS ARE SUBJECT TO CHANGE WITHOUT NOTICE.
© 2010 VIZIO INC. ALL RIGHTS RESERVED.**

Free Manuals Download Website

<http://myh66.com>

<http://usermanuals.us>

<http://www.somanuals.com>

<http://www.4manuals.cc>

<http://www.manual-lib.com>

<http://www.404manual.com>

<http://www.luxmanual.com>

<http://aubethermostatmanual.com>

Golf course search by state

<http://golfingnear.com>

Email search by domain

<http://emailbydomain.com>

Auto manuals search

<http://auto.somanuals.com>

TV manuals search

<http://tv.somanuals.com>