

VAXCARE

Please register your warranty. Send in your completed Warranty Card.

If you require any further assistance or advice about any VAX please call VAXCARE on

1300 36 4040 (Australia - cost of a local call)
and **0800 800 900** (NZ)



VAX Appliances (Australia) Pty Ltd
A.C.N. 009099736

296 Victoria Road Malaga Western Australia 6090.

EMAIL: vaxcare@vax.com.au

WEBSITE: www.vax.com.au

vax AUST. & NZ BRANCHES

• NSW/ACT

Unit 2, 239 Beaconsfield St,
Milperra, NSW 2214
Telephone: (02) 9792 8900
Facsimile: (02) 9792 8911

• VICTORIA/TASMANIA

Unit 3, 46 Burgess Road,
Bayswater North, VIC 3153
Telephone: (03) 9761 7160
Facsimile: (03) 9761 7175

• SOUTH AUSTRALIA/ NORTHERN TERRITORY

Unit 3, 75-77 Grange Road,
Welland, SA 5007
Telephone: (08) 8340 2222
Facsimile: (08) 8346 7933

• QUEENSLAND

186 Kerry Road,
Archerfield, QLD 4108
Telephone: (07) 3216 7350
Facsimile: (07) 3216 7375

• WESTERN AUSTRALIA

296 Victoria Road,
Malaga, WA 6090
Telephone: (08) 9247 8100
Facsimile: (08) 9247 8192

• VAX APPLIANCES NEW ZEALAND

27 Clemow Drive
Mt Wellington, Auckland
Telephone: (09) 5736220
Facsimile: (09) 5736224
Email: vaxnz@vax.co.nz



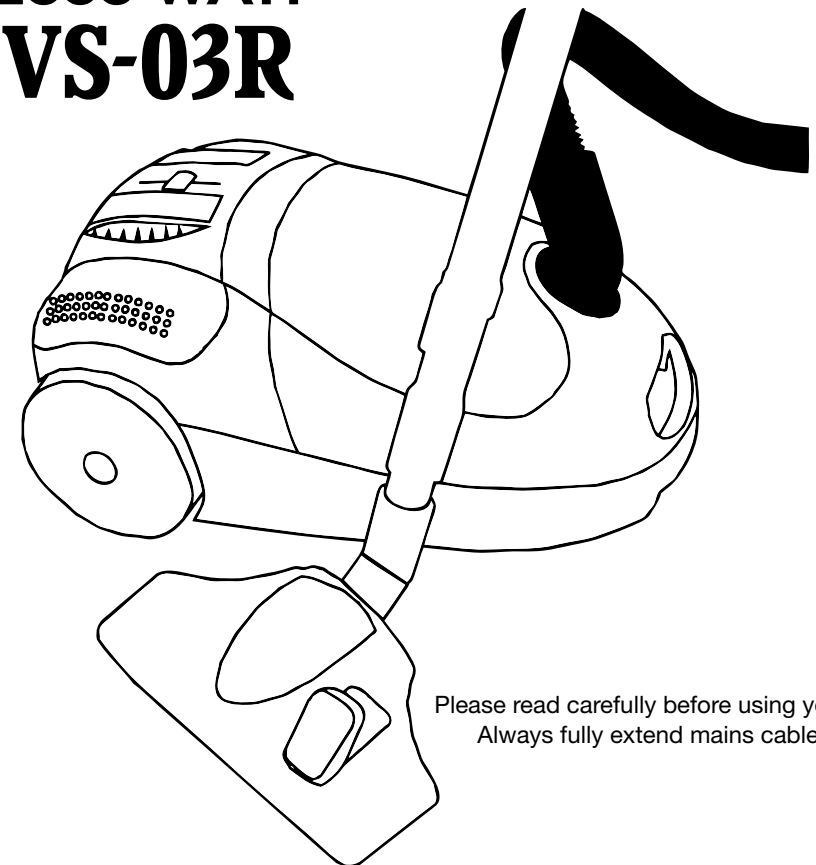
www.vax.com.au

Vaxcare:
AUST: 1300 36 4040
NZ: 0800 800 900

VAX[®]

2000 WATT

VS-03R



Please read carefully before using your VS-03R.
Always fully extend mains cable before use.

Instruction Manual

1. All Manuals Search And Download.

Operating Instructions

Congratulations on the purchase of your VAX VS-03R cylinder cleaner. To get the best performance from this product please read and retain these instructions.

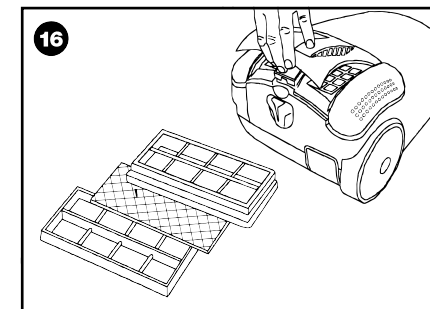
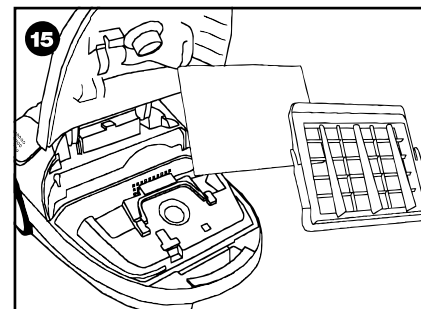
Check whether the voltage indicated on the rating plate is the same as the voltage of your local mains. This product is intended for home use only.

When using electrical appliances, in order to reduce the risk of fire, electric shock, and/or injury to persons, basic safety precautions should be followed. These include:

1. This vacuum cleaner is not intended for cleaning wet or damp flooring. Water entering the motor unit can cause permanent damage putting the cleaner out of operation. This is not covered by the warranty.
2. To avoid damage to the dust bag or the cleaner mechanics, never use your VAX to remove sharp articles such as broken glass or hot, volatile or explosive articles such as ash, burning cigarette butts, etc.
3. In case the cleaner is used to remove very fine particles such as fine sand, cement or other like substances, the pores of the dust bag can become clogged. In that case, replace the dust bag and the filters even if the dust bag is only partly filled
4. If your VAX fails to operate, never attempt to repair it yourself as repairs carried out by an unauthorised or inexperienced person may cause injury to you or damage to your VAX.
5. Have your VAX serviced by an authorised VAX Service Agent using only genuine VAX replacement parts.
6. The manufacturer shall not be held liable for any damage caused by incorrect use of the cleaner.
7. Never put the hose or nozzle near your eyes or ears.

8. Never operate your VAX with wet hands or feet.
9. Never leave the appliance running unattended.
10. This appliance is not intended for use by young or infirm persons unless they have been adequately supervised by a responsible person to ensure that they can use the appliance safely. Young children should be supervised to ensure that they do not play with the appliance.
11. Never use your VAX without a dust bag.
12. Never alter the specification or modify your VAX in any way.

To Change the Filters



Motor Protection Filter

Fig.15 The filter is located in the dust bag compartment and protects the motor from dust. To reach this filter, lift up the grill which secures it and replace it with a new one.

We recommend changing the filter after 5 bag changes or when it appears soiled.

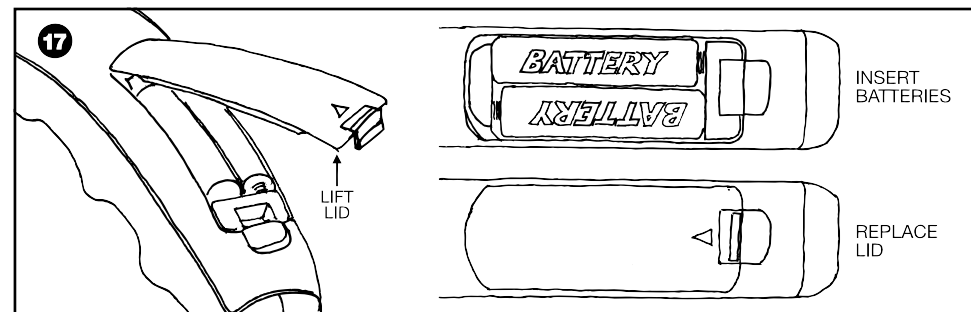
Attention: Do not use the vacuum cleaner without the motor protection filter.

Air outlet filters

Fig.16 To remove the filters first remove the filter cover. Remove both filter cartridges.

On each individual cartridge remove holding bracket. Replace used filter medium with new - the gauze side first. Reassemble and replace filter cover.

We recommend replacing the air outlet filters after one month's use. Thereafter, replace every 4-6 months, after 5 bag changes, when appearance is soiled or if a loss of suction is experienced (whichever is sooner).



Remote Control Battery

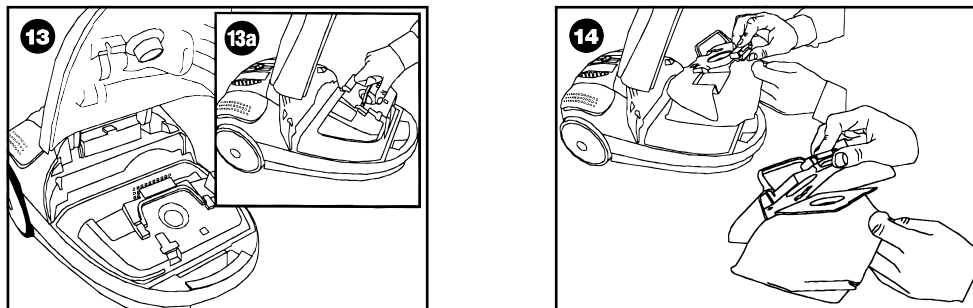
- The remote control on the handle is powered by 2 AAA batteries. To change the batteries, remove battery cover, pull out old batteries (fig.17) and replace with new ones. Replace battery cover.

Looking After Your Vax

IMPORTANT: The Vax VS-03R is a very powerful vacuum cleaner. It will collect an extraordinary amount of dust and dirt, especially during the first few applications of use, which will quickly fill a paper dust bag or block the pores of a cloth dust bag. Excessive dust and dirt will also contaminate the motor protection and air outlet filters.

Any of these conditions usually result in a noticeable drop-off in suction, or a possible motor shut down due to thermostat activation.

On such occasions, it will be necessary to replace the paper dust bag or wash and thoroughly dry a cloth dust bag before reusing, and renew all filters to regain peak suction and performance.



Your appliance is equipped with a dust bag. If you notice that the vacuum cleaner seems to be less efficient than usual, check the dust indicator by selecting the maximum power and lifting the cleaner tool off the floor. If the indicator turns red, change the bag.

To change the dustbag

Turn off the appliance and unplug it. Lift up the catch to gain access to the dustbag compartment and raise the cover (fig.13). Pull the handle up to remove the bag holder (fig.13a). The bag can then be unclipped and disposed of hygienically (fig.14). Do not forget to regularly change the dust bag and filter. The efficiency of your cleaner and the life of the motor depends on it.

Dustbag Indicator

When the indicator light comes on or when the suction power reduces substantially, this indicates that you should change/empty the dust bag.

Attention: If after inserting a new dust bag, the indicator light stays on, this could be for several reasons:

- Suction passages may be blocked - check flexible hose and extension tubes, suction inlet, floor brushes and nozzles for obstruction.
- Check motor protection filter
- Check to see if air outlet filter is dirty

Check carefully which of these causes is making the light go on and correct it so that the vacuum cleaner can work normally.

Do not work the vacuum cleaner with this indicator light on, as this could cause irreparable damage to the motor.

Motor Thermostat

IMPORTANT: The motor is equipped with a thermal cut-out. If for any reason, the vacuum cleaner should over-heat, the thermostat will automatically turn the unit off. Should this occur, unplug the vacuum cleaner from the electrical outlet and turn the unit off. Remove the dirt container and empty. Clean the filters. Allow the cleaner to cool for approximately one (1) hour. To re-start, plug into an electrical outlet and switch back on.

Replacement Bags & Filters

Replacement bags and filters are available from your Vax stockist or Vax direct. Phone Vaxcare or visit: www.vax.com.au

VAXCARE Service & Help AUSTRALIA 1300 36 4040 NEW ZEALAND 0800 800 900

Any queries or concerns about using the Vax, call VAXCARE.

Please make a note of the serial number and model number of the appliance before calling.

(Aust only: Mon-Fri. 10.00am to 6.00pm. EST)

Calls are charged at the local rate.

An answerphone is available out of these hours.

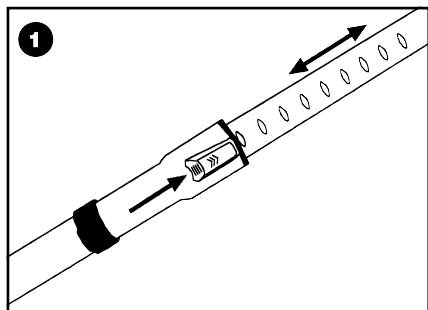
There are over 300 approved Vax Service Agents in Australia and New Zealand. For the nearest Service Agent, please refer to your Vax warranty or call VAXCARE or visit www.vax.com.au

Technical Specification

Voltage:	220-240V~50Hz
Wattage:	2000W
Capacity:	3.5 litres
Filters:	Motor protection filter Air outlet filter
Cord length:	5 metres
Weight:	10kg
Part No:	73000

Subject to technical change without notice.

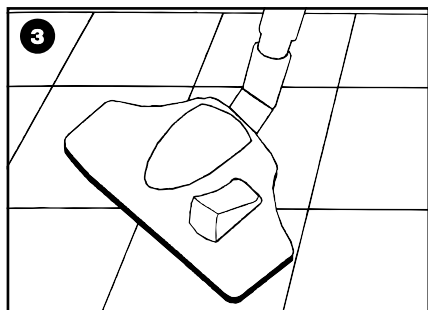
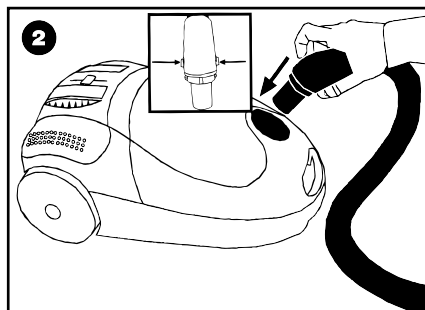
How to Use Your Vax VS-03R



Assembling the Appliance

Fig.1 The telescopic extension tubes can be lengthened by pressing the button & sliding the inner tube to required length.

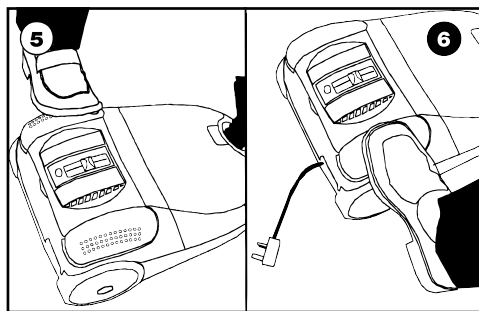
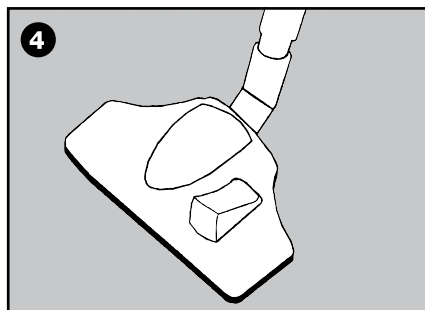
Fig.2 To attach the flexible hose to the vacuum cleaner, push the connecting end of the flexible hose into the attachment point on the vacuum cleaner.



Adjusting the cleaning tool for carpets & hard floors

Fig.3 Hard floor position (tiles, parquet floors, etc.) - The cleaning tools brush must be in the lower position. Press on the rocker switch to lower it.

Fig.4 Carpet or rug position - The cleaning tools brush should be raised. Press the rocker switch to lift the brush up.



Getting started

Fully extend the mains cable but not beyond the yellow marker and plug it into a standard domestic outlet

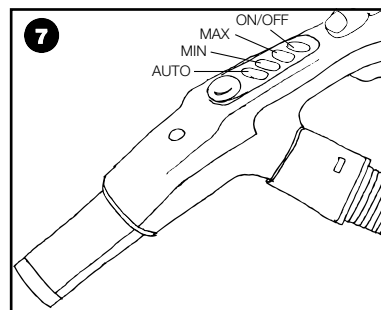


Fig.5 Press the foot pedal to start the vacuum cleaner. To stop it press the pedal again.

Fig.6 Press the foot pedal to recoil the power lead. **NOTE: Guide power cord with one hand. Rewind 1-1/2 metres of cord at a time. This will prevent the cord from whipping which could cause damage or injury.**

Fig.7 The hose grip has buttons for control of suction power.

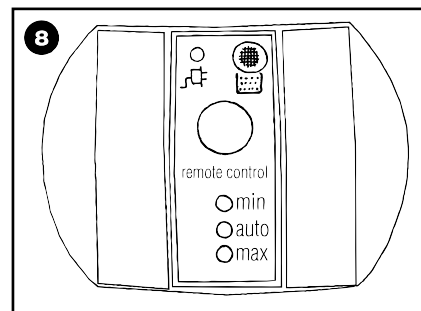


Fig.8 Vacuum power can be adjusted electronically by pressing one of the buttons on the handle (fig.7).

Auto - for normal vacuuming of carpets and hard floors.

Min - for curtains - soft furnishings.

Max - for very dirty carpets or carpet with high pile.

Using the accessories

Fig.9 Open the accessory storage compartment (fig. 9a). These accessories can be fitted directly to the tubes or onto the end of the flexible hose handle. The small cleaning tool is used for upholstered furniture. The crevice nozzle is ideal for cleaning awkward places such as behind radiators, skirting boards and hard to reach areas. The brush attachment is designed for dusting.

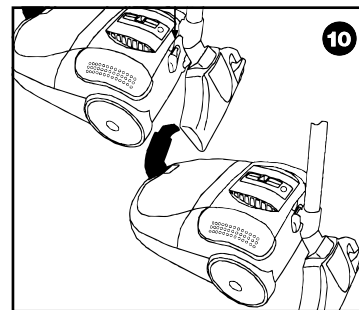
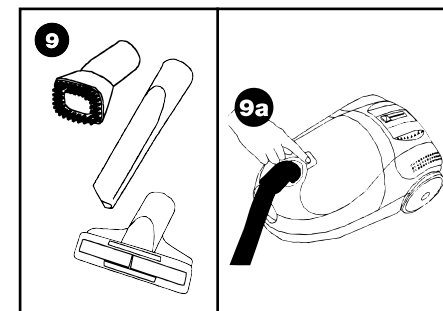


Fig.10 If you wish to pause briefly during vacuuming i.e. to move a piece of furniture or a rug, use the special parking position on your vacuum cleaner. Slide the hook attached to the large cleaning tool into the slot on the rear of the appliance. When you have finished vacuuming, press pedal to stop the appliance then unplug it at the mains. Press the pedal to automatically rewind the cord (See note fig.6).

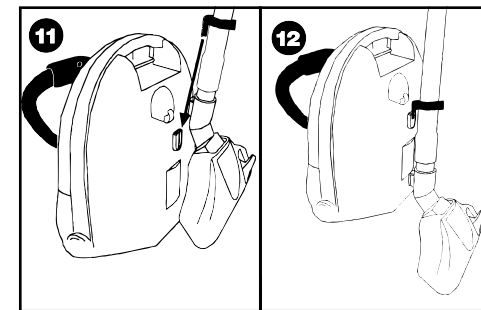


Fig.11 & 12 You can move or store your appliance in a vertical position by sliding the hook on extension tube into the clip on the underside of the appliance. This practical system allows you to carry the vacuum cleaner around in one hand and provides minimum storage space.

Free Manuals Download Website

<http://myh66.com>

<http://usermanuals.us>

<http://www.somanuals.com>

<http://www.4manuals.cc>

<http://www.manual-lib.com>

<http://www.404manual.com>

<http://www.luxmanual.com>

<http://aubethermostatmanual.com>

Golf course search by state

<http://golfingnear.com>

Email search by domain

<http://emailbydomain.com>

Auto manuals search

<http://auto.somanuals.com>

TV manuals search

<http://tv.somanuals.com>