

VIZUALOGIC<sup>®</sup>  
A Division of TMI Products, Inc.

1493 Bentley Drive • Corona, CA 92879 • 951-272-1996 • 800-624-7960 • Fax 951-272-1584  
[www.vizualogic.com](http://www.vizualogic.com)

99-9138-000 Rev. 1 7/06

A-1250™ A-1150™



**ALL-IN-ONE  
HEADREST MONITOR/DVD SYSTEM**

VIZUALOGIC<sup>®</sup>  
OWNER'S MANUAL

## Welcome

Congratulations on your purchase of a Vizualogic All-In-One System that will provide your family with many years of enjoyment. This sophisticated product provides video entertainment to rear seat passengers without altering the appearance of your vehicle's original interior.

Reviewing this owner's manual thoroughly prior to operation will provide you with the best performance and help explain the simple requirements for proper care.

### Important Safety Information:

*This video product is designed and intended for positioning in back seating areas of a vehicle where it cannot be viewed directly or indirectly by the driver and possibly cause him/her to be distracted from the task of operating the vehicle. Driver distraction is a major cause of accidents and for this reason many states specifically prohibit the viewing of motion video within view of the driver while the vehicle is in motion.*

*For safety reasons, when changing discs it is recommended that the vehicle be stationary, and that you do not allow children to unfasten seat belts to change discs or make any adjustments to the system. System adjustments can be safely accomplished using the remote control unit. Enjoy your Vizualogic All-In-One System but remember the safety of all passengers is the number one priority.*

### Purchase Information

Please fill out this section for your reference and retain the original bill of sale to validate your Limited Warranty should service become necessary:

Date of Purchase: \_\_\_\_\_

Place of Purchase: \_\_\_\_\_

Unit Serial Number: \_\_\_\_\_

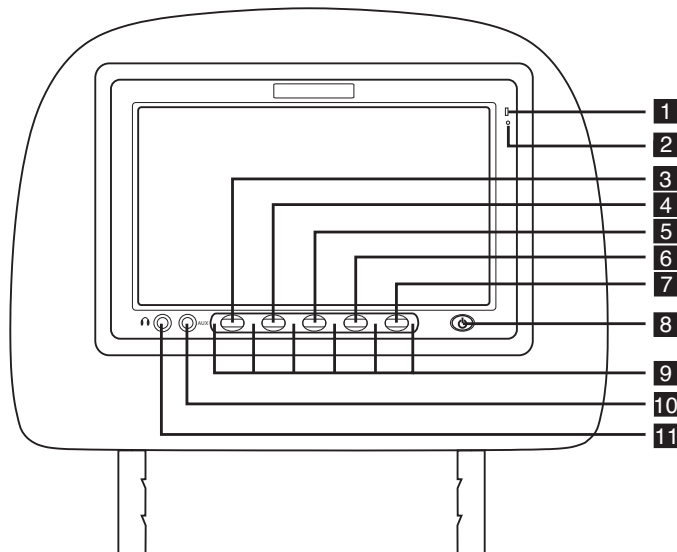
## Table of Contents

Welcome .....	2
Purchase Information .....	2
Features .....	3
A-1250 Monitor Layout .....	4
A-1150 Monitor Layout .....	5
Loading a Disc .....	6
A-1250 Monitor On-Screen Basic Functions .....	7
Soft Button Controls .....	7
Monitor Controls .....	7
DVD Controls .....	8
Adjusting the Picture Settings .....	8
Connecting External Devices .....	9
Using the Auxiliary Input Jack .....	9
Using the Wired Headphone Jack .....	9
Using the A/V Control Module Auxiliary Input .....	9
Remote Control Operations .....	10
Playing Audio CDs .....	14
Playing MP3 CDs .....	14
Audio Playback .....	16
FM Modulator Playback .....	16
IR Headphones .....	17
Optional Accessories .....	18
Care & Maintenance .....	19
Troubleshooting .....	20
Specifications .....	20
Limited Warranty .....	21
Warranty Service .....	22

### Features

- 7-inch Color TFT-LCD Panel with 16:9 aspect ratio
- Built-in Top-loading Slot-in DVD player.
- Integrated Infrared Transmitters for wireless Headphones
  - (1) Channel A                      (2) Channel B
  - Audio-R: 2.3 MHz              Audio-R: 3.2 MHz
  - Audio-L: 2.8 MHz              Audio-L: 3.8 MHz
- RCA axillary input
- Two sets of RCA slave outputs
- Two sets of DIN-cable monitor outputs
- OSD (On-Screen Display) Control
- Monitor-mounted auxiliary input and headphone jack on each headrest (A-1250 only)
- DVD and monitor control via buttons on front panel (A-1250 only)

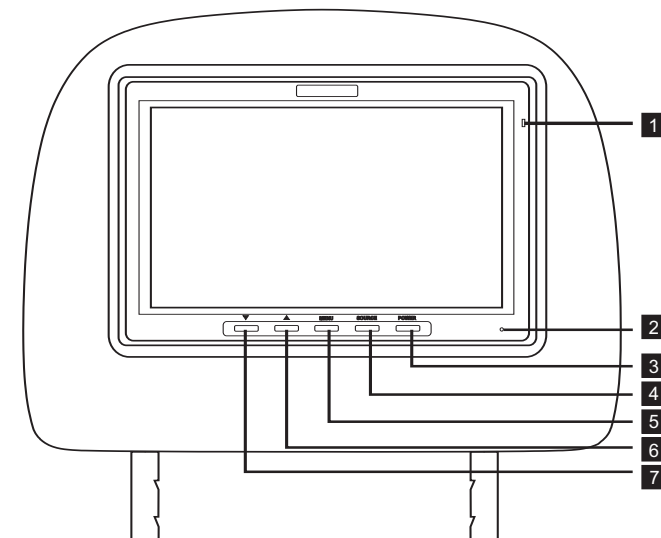
## A-1250 Monitor Layout



1. **IR Sensor** – Allows the remote to navigate the OSD (On Screen Display) on this unit and to control other functions and accessories.
2. **Light Sensor** – Detects ambient light levels and dims the screen accordingly.
3. **MONITOR / DVD CONTROL BUTTON #1** - When set to Monitor Control mode, operates as the UP button. When set to DVD Control mode, operates as the PLAY button.
4. **MONITOR / DVD CONTROL BUTTON #2** – When set to Monitor Control mode, operates as the DOWN button. When set to DVD Control mode, operates as the PAUSE button.
5. **MONITOR / DVD CONTROL BUTTON #3** – When set to Monitor Control mode, operates as the MENU button. When set to DVD Control mode, operates as the STOP button.
6. **MONITOR / DVD CONTROL BUTTON #4** – When set to Monitor Control mode, operates as the SOURCE button. When set to DVD Control mode, operates as the PREVIOUS button.
7. **MONITOR / DVD CONTROL BUTTON #5** – When set to Monitor Control mode, operates as the ZOOM button. When set to DVD Control mode, operates as the NEXT button.
8. **POWER / TOGGLE** – Press momentarily to toggle between on-screen DVD and Monitor Control functions. Press and hold to turn the monitor off.

9. **INFRARED TRANSMITTERS** – Transmits audio information from the source displayed on-screen to the wireless headphones.
10. **AUXILIARY INPUT JACK** – Allows an external A/V source to be connected and viewed. The external source can only be viewed on the monitor that it is physically connected to.
11. **HEADPHONE JACK** – Allows the use of wired headphones (not included) to be connected to the monitor.

## A-1150 Monitor Layout



1. **IR Sensor** – Allows the remote to navigate the OSD (On Screen Display) on this unit and to control other functions and accessories.
2. **Power LED** – Illuminates in green when the headrest monitor is turned on.
3. **Power** – Press to turn the headrest monitor on or off.
4. **Source** – Changes the source displayed on the monitor. Each press of the SOURCE button advances the source in the following sequence:  
 Dual DVD system: DRIVER DVD ▶ PASSENGER DVD ▶ EXT AUX  
 Single DVD system: DRIVER DVD ▶ EXT AUX
5. **Menu** – Accesses monitor picture adjustment settings. Each press of the MENU button advances through the functions as follows:

CONTRAST ▶ BRIGHTNESS ▶ COLOR ▶ TINT ▶ SHARPNESS ▶  
DIMMER ▶ RESET DEFAULT

Once the desired selection has been made, use the ▲ or ▼ buttons to change the function setting.

6. ▲ **(UP)** – Increases volume output of wired headphone jack. When in MENU mode also increases the value of the desired function.
7. ▼ **(DOWN)** – Decreases volume output of wired headphone jack. When in MENU mode also decreases the value of the desired function.

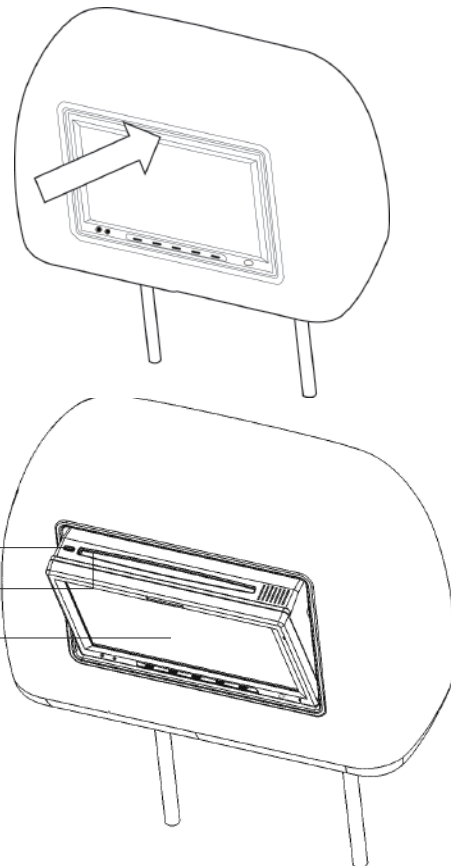
## Loading a Disc

To open/reveal the DVD loading slot, PRESS on the top-center of the monitor frame (indicated by the Vizualogic logo).

**NOTE: Do not put pressure directly on the screen. Latch the monitor in the fully closed position when DVD loading slot is not in use.**

1. **EJECT** – Press this button to eject the disc.
2. **Disc Slot**
3. **LCD Panel**

To load a disc, insert the the disc vertically with the label surface facing the rear of the vehicle. Gently lower the disc into the disc slot, until the loader motor accepts the disc and lowers it into the DVD player. Once the disc has been loaded, press on the monitor frame to conceal the DVD loading slot.



## A-1250 Monitor On-Screen Functions

### SOFT BUTTON CONTROLS

When any of the DVD / Monitor Control buttons are pressed, a row of icons will appear directly above the buttons. To alternate between DVD and Monitor Control functions, momentarily press the POWER / TOGGLE button. To perform a desired function, press the button directly underneath the desired icon.

### MONITOR CONTROLS



- ▲ **(UP)** – Increases volume output of wired headphone jack. When in MENU mode also increases the value of the desired function.
- ▼ **(DOWN)** – Decreases volume output of wired headphone jack. When in MENU mode also decreases the value of the desired function.

**MENU** – Accesses monitor picture adjustment settings. Each press of the MENU button advances through the functions as follows:

CONTRAST ▶ BRIGHTNESS ▶ COLOR ▶ TINT ▶ SHARPNESS ▶  
DIMMER ▶ RESET DEFAULT

Once the desired selection has been made, use the ▲ or ▼ buttons to change the function setting.

**SOURCE** – Changes the source displayed on the monitor. Each press of the SOURCE button changes the source in the following sequence:

Dual DVD system:

DRIVER DVD ▶ PASSENGER DVD ▶ EXT AUX ▶ AUX

Single DVD system:

DRIVER DVD ▶ EXT AUX ▶ AUX

**ZOOM** – Changes the size of the image displayed on-screen from wide, normal, or zoom

## DVD CONTROLS



- ▶ (Play) – Plays a disc that is loaded into the integrated DVD player.
- (Stop) – Stops playing a disc that is loaded into the integrated DVD player.
- ⏸ (Pause) – Pauses a disc that is loaded into the integrated DVD player.
- ⏮ (Previous) – Accesses the previous chapter or track.
- ⏭ (Next) – Accesses the next chapter or track.

## Adjusting the Picture Settings

The A-1250 and A-1150 features multiple picture adjustment settings that allow the user to tailor the picture to their preferences. To access the picture adjustment settings, press the MENU button. Each press of the MENU button will advance through the settings shown below. Once the desired selection has been made, use the ▲ or ▼ buttons to change the setting level.

CONTRAST - Adjust to increase or decrease picture contrast.

BRIGHTNESS - Adjust to brighten or darken the picture.

COLOR - Adjust to increase or decrease the color intensity.

TINT - Adjust to increase or decrease the color hue.

SHARPNESS - Adjust to sharpen or soften the picture.

DIMMER - Adjust to brighten or darken the monitor backlight. Select from:

DIMMER HI (100% backlight), DIMMER MED (85% backlight) and

DIMMER LOW (65% backlight)

RESET DEFAULT - Resets the above picture settings to the default values.


## Connecting External Devices

### USING THE AUXILIARY INPUT JACK (A-1250 ONLY)

Each A-1250 monitor has a 3.5mm auxiliary input jack labeled AUX located on the bottom left of the screen. To connect an external source (video game system, camcorder, etc.) to the monitor, use the available 3.5mm to RCA auxiliary input adapter cable (to connect an iPod® use the available Vizualogic Video Input cable). Using either the remote or the monitor-control buttons, press the SOURCE button until AUX has been selected. The auxiliary device can now be viewed.

NOTE: Any source connected via the screen-mounted AUX jack can only be viewed on the screen that the auxiliary source is physically connected to.

### USING THE WIRED HEADPHONE JACK (A-1250 ONLY)

Each A-1250 monitor has a 3.5mm wired headphone jack labeled . To use, simply connect a pair of wired headphones (not included) to the wired headphone jack and use the '▲' or '▼' monitor control buttons to adjust the headphone volume output.

NOTE: Using the monitor control buttons to change the wired headphone volume output will not affect the volume output of the wireless IR headphones.

### USING THE A/V CONTROL MODULE AUXILIARY INPUT

The A-1250 and A-1150 system features auxiliary component RCA input jacks on the A/V Control Module. Devices connected to this input can be viewed on either screen (independently or simultaneously), as well as output through the vehicle stereo via the integrated FM Transmitter. To view this input press the SOURCE button until EXT. AUX is displayed.

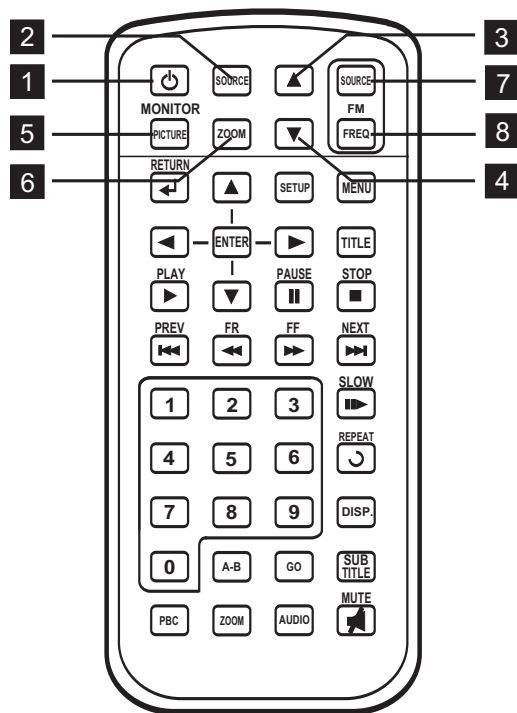
NOTE: Consult your installer to determine how to access this input.

## Remote Control Operations

*NOTE: The remote control will control all Monitor and integrated DVD functions. The remote is not a fully universal remote control and is only guaranteed to work with Vizualogic products.*

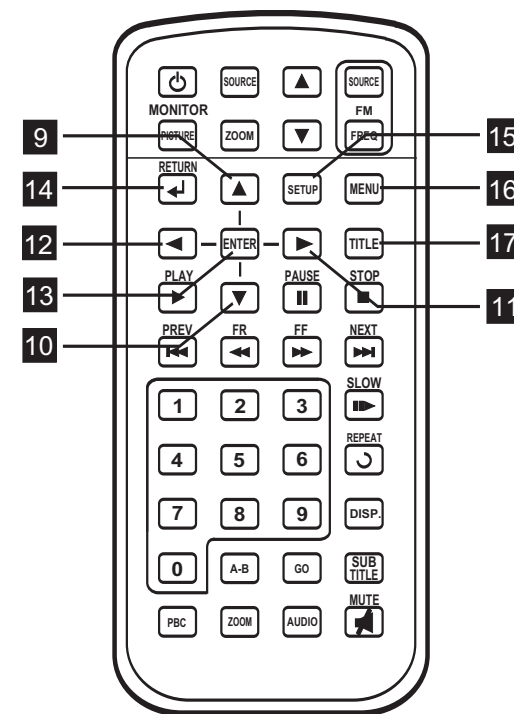
### MONITOR FUNCTIONS

1. **MONITOR POWER** – Press this button to turn the monitor ON. The current video source will be displayed on-screen, and within a few seconds the picture will appear. Press the button again to turn the monitor OFF.
2. **SOURCE SELECT** – All video sources connected to the AV inputs can be viewed on the monitor by pressing this button. Each time the button is pressed, the AV source will change in the following sequence: DRIVER DVD, PASSENGER DVD (if equipped) EXT AUX, AUX.
3. **UP** – Shifts right or up OSD menu. Increases the value of CONTRAST, BRIGHTNESS, COLOR, TINT, SHARPNESS or DIMMER.
4. **DOWN** – Shifts left or down OSD menu. Decreases the value of CONTRAST, BRIGHTNESS, COLOR, TINT, SHARPNESS, or DIMMER.
5. **PICTURE** Press this button to adjust the value of CONTRAST, BRIGHTNESS, COLOR, TINT, SHARPNESS, or DIMMER.
6. **ZOOM** – Selects the screen among wide/normal/zoom.
7. **FM SOURCE SELECT** – While aiming the remote at the Driver Side Monitor, press this button to turn on the Frequency Modulator. Press this button repeatedly to change the Frequency Modulator's audio source between DRIVER DVD, PASSENGER DVD, EXT AUX, and FM OFF.
8. **FREQUENCY SELECT** – While aiming the remote at the Driver Side Monitor, press this button to select the desired Frequency Modulator channel.



### DVD FUNCTIONS

9. **UP** – Moves up within the DVD SETUP menu.
10. **DOWN** – Moves down within the DVD SETUP menu.
11. **RIGHT** – Moves right within the DVD SETUP menu.
12. **LEFT** – Moves left within the DVD SETUP menu.
13. **ENTER** – Confirms a selection.
14. **RETURN** – Return to previous menu screen or playing point.
15. **SETUP** – Navigates SETUP MENU. There are 4 pages to configure System
  - (1) General Setup
  - (2) Audio Setup
  - (3) Video Setup
  - (4) Password Setup.
16. **MENU** – Goes to the Root Menu on the disc.
17. **TITLE** – Navigates the Title Menu on the disc.



## Remote Control Operations (continued)

18. **PLAY** – Press this button to play a disc that is loaded into the integrated DVD player.

19. **PAUSE** – Press this button to pause a disc that is loaded into the integrated DVD player. For more information, consult the DVD Basics section.

20. **STOP** – Press this button to stop playing the movie or song.

STOP ▶ PLAY: Resumes play from where disc was stopped.

STOP ▶ STOP ▶ PLAY: Restarts play from the beginning of the disc.

21. **PREV** – Plays the previous chapter or track.

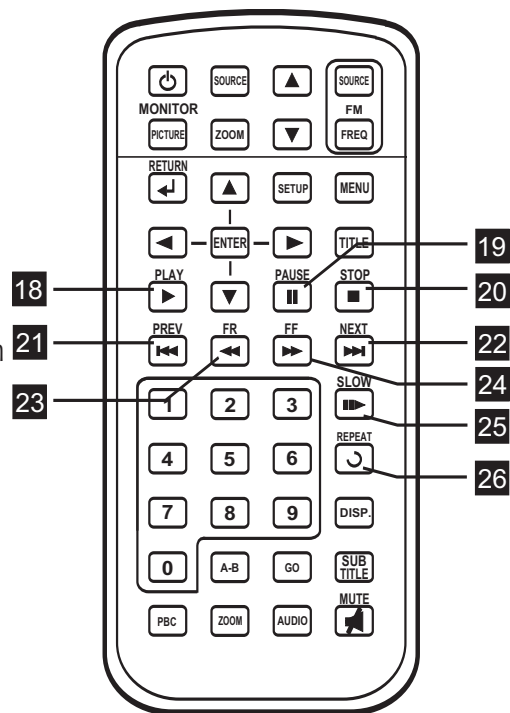
22. **NEXT** – Plays the next chapter or track.

23. **FR (Fast Rewind)** – Press this button to search disc backward continuously. There are 5 speed options to choose from: 2X, 4X, 8X, 16X, and 32X.

24. **FF (Fast Forward)** – Press this button to search disc forward continuously. There are 5 speed options to choose from: 2X, 4X, 8X, 16X, and 32X.

25. **SLOW** – Press this button to slow playback. There are 4 speed options to choose from: 1/2, 1/4, 1/8, 1/16.

26. **REPEAT** – (Except VCD with PBC on) Repeats all or a part of a chapter, title, track, or an entire disc.



27. **DISPLAY** – Shows information on the top of the screen including title, chapter/track, time elapsed, and time remaining, or turns off the display.

28. **SUBTITLE** – Changes the subtitle language to other available languages or turns the subtitles off (only applicable if the disc contains multiple subtitle languages).

29. **GOTO** – Navigates the Go To Menu and allows the selection of the desired title, chapter, track or song on the disc.

30. **A-B (Except MP3)** – Repeats disc from user selected point A to point B.

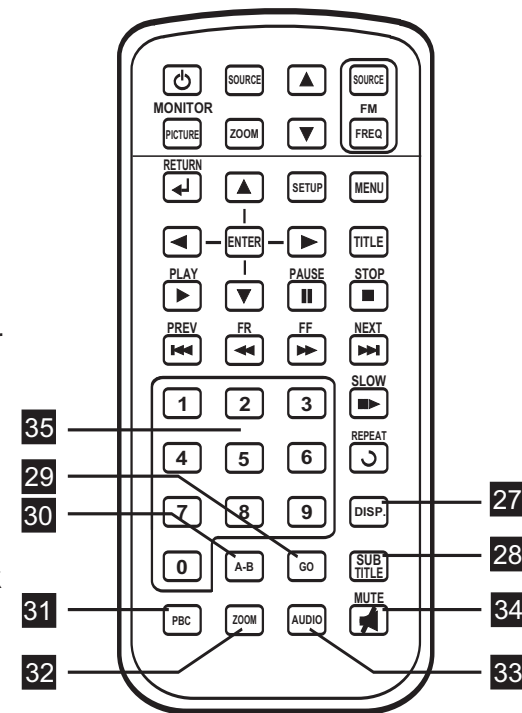
31. **PBC (Video CD only)** Turns the PBC (Play Back Control) on or off

32. **ZOOM** – Enlarges the picture in the movie by 2x, 3x or 4x. Shrinks the picture in the movie by 1/2x, 1/3x, or 1/4x.

33. **AUDIO** – Changes the audio track to another available language (only applicable if the disc contains multiple audio tracks).

34. **MUTE** – Press this button to mute the audio to the wireless headphones. The screen will display 'MUTE' in the lower left corner when using this feature. Press the button again to restore audio to the previously set level.

35. **NUMBERS 0 to 9** – Use these these buttons to access a specific chapter or track.



## Playing Audio CDs

When playing an audio CD, the DISPLAY banner appears automatically. It displays the current track and the amount of the time for that track playing, the total amount of time on the disc and the current time running on the disc. Press the **DISPLAY** button on the remote to display the DISPLAY banner. The options below show you what happens when you press the **DISPLAY** button.

Press DISPLAY (1x) – “Single Elapsed” appears along with the current track number playing and the time of that track .

Press DISPLAY (2x) – “Total Remain” appears along with the current track number playing and the amount of time remaining on the entire CD.

Press DISPLAY (3x) – “Single Remain” appears along with the current track number playing and the amount of time remaining.

Press DISPLAY (4x) – “Total Elapsed” appears along with the current track number playing and the total time playing on CD.

Using the *REPEAT* Feature

The default mode for the REPEAT feature is OFF. Pressing **REPEAT** button multiple times changes the REPEAT options as follows:

**Track** - repeats the current track that is playing.

**All** - repeats the entire disc that is currently playing.

## Playing MP3 CDs

MP3 is a format for storing digital audio. An audio CD quality song can be compressed into the MP3 format with very little loss of quality, while taking up much less disc space. CD-R/RW discs that have been encoded in MP3 format can be played on the integrated DVD player.

### SELECTING FOLDERS AND SONGS

When an MP3 disc is inserted in the player, the navigation screen appears automatically. You can change folders and songs by navigating through the file system. The DVD player plays the songs in order they were burned onto the disc.

1. If a disc is playing, press **STOP**. Press the **UP** or **DOWN** arrow button to go through the folder list on the left side of the navigation screen.
2. Once the folder you want is highlighted, press **ENTER**.
3. Press the **UP** or **DOWN** arrow button going through the song list and highlight the song you want. Press **ENTER** to begin the playback of the highlighted song.

### SKIPPING SONGS

Use **NEXT** (▶▶) button on the remote control to move to the next song. Use the **PREV** (◀◀) button to move to the beginning of the song currently playing. Press the button twice to move to the previous song.

### SELECTING A PLAY MODE

You can temporarily choose what order the songs will play on a disc. The **FOLDER** play mode is the default playback mode. To access the play mode options, press **REPEAT** button.

The play mode options are as follows:

Single: Plays a selected song.

Folder: Plays the folder in the order the songs were recorded.

Random: Plays the songs in the random order.

Shuffle: Plays the songs in random order (from within the selected folder).

### USING THE *REPEAT* FEATURE

The default mode for the repeat feature is OFF. Pressing **REPEAT** multiple times changes the repeat option:

**REPEAT One** – repeats the song that is playing.

**REPEAT Folder** – repeats the folder that is playing.



## Audio Playback

The Vizualogic A-1250 and A-1150 System features multiple ways to enjoy the audio portion of a desired source. The audio can be experienced through the use of Infrared Headphones or with the integrated wireless FM Modulator

## FM Modulator Playback

To listen to the audio portion of the viewed source through the vehicle's stereo system aim the remote at the driver's side monitor and simply press the **FM SOURCE** button to turn the FM modulator on. The screen will now display FM SOURCE: DRIVER DVD. The Audio portion of the source originating from the Driver's side headrest will now be audible through the vehicle's stereo. If a different audible source is desired, press the **FM SOURCE** button again to select from PASSENGER DVD, EXT AUX, and OFF. Once the desired audible source has been selected, the transmitting frequency the FM modulator transmits on can be changed by pressing the **FM FREQ** button on the remote. Tune the vehicle's radio to the corresponding station to listen to the source that is displayed on the driver's side monitor.

To change the transmitting frequency, aim the remote at the driver's side monitor and press the **FM FREQ** button. Each press of the button advances the frequency as follows:

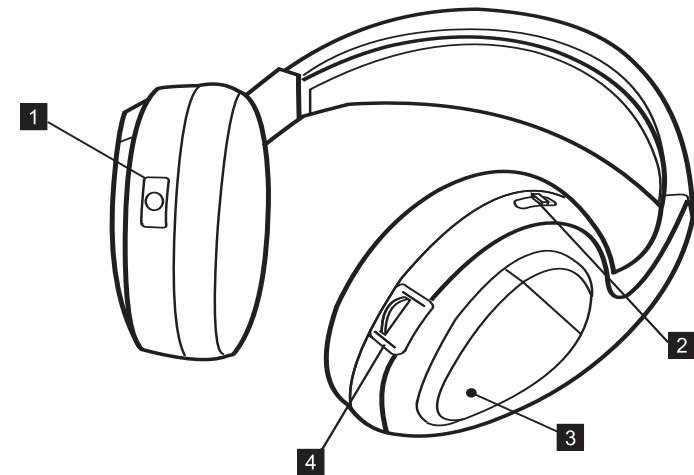
FM CH1 88.5MHz ▶ FM CH2 88.7MHz ▶ FM CH3 88.9MHz ▶ FM CH4 89.1MHz ▶ FM CH5 89.3MHz ▶ FM CH6 89.5 ▶ FM CH7 89.7 ▶ FM8 89.9

To turn the FM Modulator Off aim the remote at the driver's side monitor and press the **FM SOURCE** button repeatedly until FM OFF is displayed.

NOTE: All of the FM Modulator control functions can also be controlled in a similar fashion using the buttons on the front of the monitor.

## IR Headphones

The Vizualogic All-In-One System features integrated Infrared (IR) transmitters on the front of each monitor. The driver's side monitor transmits on channel 'A' and the passenger side transmits on channel 'B'. To listen to the source displayed on monitor, turn on the headphones and select the corresponding audio channel for the monitor being viewed. *NOTE: Always adjust volume control on the headphones to the lowest setting before turning them on.*



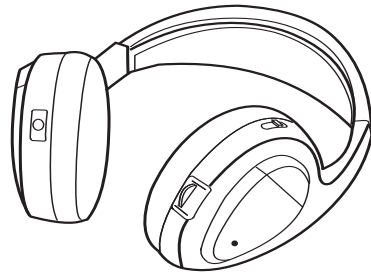
1. **POWER OFF-ON** – Manually turns the headphones on or off. POWER LED will illuminate while the headphones are on.
2. **IR CHANNEL SELECTOR** – Switches audio reception between IR Channel A and IR Channel B.
3. **POWER LED** – Illuminates in red to indicate that headphones are on.
4. **VOLUME** – Increases or decreases the volume output of the wireless headphones.

## Optional Accessories

To increase the enjoyment and utility of your Vizualogic System, several accessories are available from your local authorized distributor/retailer. For more information visit [www.vizualogic.com](http://www.vizualogic.com).

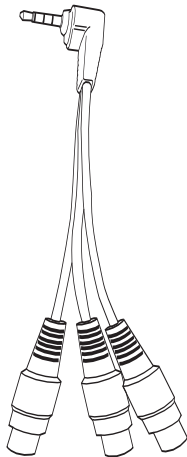
### WIRELESS STEREO HEADPHONES

- 2-channel
- IR headphones



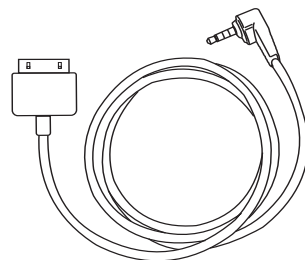
### AUXILIARY INPUT ADAPTER CABLE

- 3.5mm to RCA



### VIZUALOGIC VIDEO INPUT CABLE (VVIC)

- 3.5mm to iPod dock connector



## Care and Maintenance

Your Vizualogic System is a product of superior design and craftsmanship and should be treated with care. The suggestions below will help to fulfill any warranty obligations and provide many years of enjoyment.

- **Cleaning the Monitor Screen and Housing:** The components may be cleaned by occasionally wiping with a soft, lint-free, cotton cloth that has been slightly dampened with water.

**CAUTION: Do not use liquids, abrasives, aerosol cleaners, or paper cleaning products because they will result in permanent damage to the finish of your components! The LCD screen is made of a specially coated glass and can be scratched or damaged by abrasive or ammonia-based window cleaners.**

- **Use and Storage:**
  - These units contain precision electronics that must be protected from dust, dirt, and moisture.
  - Never spill liquids on any of the components. Liquids, humidity, and precipitation contain minerals that will corrode electronic circuits.
- **Take care to avoid the following:**
  - Rough handling can break internal circuit boards. Do not drop, knock, or shake the components.
  - Do not attempt to paint or refinish the components. Paint can clog moving parts and prevent proper operation.
  - The components can be damaged by non-expert handling. Attempting to open any of the components may void the limited warranty.

## Troubleshooting

---

### No Picture

- (1) Verify that the correct video input mode is used on the monitor.
- (2) Verify that the video cables are securely connected.

### No Sound

- (1) Verify that the correct audio output mode is used on the monitor.
- (2) Verify that the audio cables are securely connected.
- (3) Ensure that the FM Transmitter has been turned on.

### IR Sensor Inoperative

- (1) Verify that the batteries in the remote are installed correctly and in good condition.
- (2) Verify that the remote sensor eye is not obstructed.

## Specifications

---

Display Type .....	LCD
Screen Size .....	7.0" (Diagonal)
Resolution .....	480(w) x 234(h)
Brightness .....	500 nits (typ.)
Video Display System .....	NTSC/PAL
Horizontal View Angle .....	120°
Vertical View Angle .....	100°
Operating Temperature .....	-30° to 80° C
Expected Backlight Life .....	15,000 hours (typ.)
Operating Voltage .....	10 to 16V DC

## Limited Warranty

---

### Terms of Warranty

TMI Products, Inc (Company) warrants to the original retail purchaser that the automotive video product(s) purchased from a Company authorized installer, within the first ninety (90) days after new vehicle delivery, are free from defects in materials or workmanship under normal use and conditions for a period of at least three (3) years from date of purchase or the first 36,000 miles as registered on the vehicle's odometer at time of installation, whichever occurs first, with exception of remote control(s), and / or headphones which is warranted for a period of sixty (60) days from date of purchase. Products purchased or installed more than ninety (90) after new vehicle delivery are warranted for a period of one (1) year from date of purchase. A sales receipt is required to provide proof of date of purchase.

Should the product(s) be determined defective during the applicable warranty period, the defect(s) will be repaired or replaced with a new or reconditioned part(s), at the Company's option.

EXCEPT AS EXPRESSLY SET FORTH IN THIS WARRANTY, THE COMPANY MAKES NO OTHER WARRANTIES, EXPRESSED OR IMPLIED, INCLUDING ANY IMPLIED WARRANTIES OF MERCHANTABILITY AND FITNESS FOR A PARTICULAR PURPOSE. THE COMPANY EXPRESSLY DISCLAIMS ALL WARRANTIES NOT STATED IN THIS LIMITED WARRANTY. ANY IMPLIED WARRANTIES THAT MAY BE IMPOSED BY LAW ARE LIMITED TO THE TERMS OF THIS EXPRESSED LIMITED WARRANTY.

## How to Obtain Warranty Service

---

To obtain warranty service, the product(s) must be returned to a Company authorized installer accompanied by proof of warranty coverage.

## How State Law Relates to the Warranty

---

Some states do not allow limitation on how long an implied warranty lasts. In such states, the limitations or exclusions of this Limited Warranty may not apply. Some states do not allow the exclusion or limitation of incidental or consequential damages. In such states, the exclusion or limitation of this Limited Warranty may not apply to you. This Limited Warranty gives you specific legal rights and you may have other rights which vary from state to state.

## What is Excluded from this Limited Warranty

---

This limited warranty excludes:

- Elimination of externally generated static or noise, or the correction of antenna problems or weak television reception.
- Costs incurred for installation, removal or reinstallation of the product(s).
- Damage to tapes, video games, software, camcorders, discs, speakers, accessories or vehicle electrical systems.
- Cosmetic damage or damage due to negligence, misuse, abuse, failure to follow operating instructions, accidental spills or customer applied cleaners.
- Damage due to environmental causes such as floods, airborne fallout, chemicals, salt, hail, windstorms, lightning or extreme temperatures.
- Damage due to accidents, road hazards, fire, theft or vandalism.
- Damage due to improper installation or connection, including connection to equipment of another manufacturer, modification of existing equipment, use of a faulty cassette tape or VCP head cleaning.
- Product(s) which have been opened or tampered with for any reason or which have been damaged due to alteration or service performed by anyone other than the Company or a Company authorized installer.

## Notes

---

## Notes

---

## Free Manuals Download Website

<http://myh66.com>

<http://usermanuals.us>

<http://www.somanuals.com>

<http://www.4manuals.cc>

<http://www.manual-lib.com>

<http://www.404manual.com>

<http://www.luxmanual.com>

<http://aubethermostatmanual.com>

Golf course search by state

<http://golfingnear.com>

Email search by domain

<http://emailbydomain.com>

Auto manuals search

<http://auto.somanuals.com>

TV manuals search

<http://tv.somanuals.com>