

## Attaching the Speaker Stand Adapters

The PV-802 speakers can each be mounted on speaker stands using a VocoPro speaker stand adapter (sold separately).

*NOTE: These speaker stand adapters are included with the purchase of VocoPro SS-88 speakers stands. Contact your local VocoPro dealer to order a pair of VocoPro SS-88 speaker stands.*

### Attaching the Adapter to the Speakers

*NOTE: The 4 mounting screws are included with the PV-802.*

1. Remove the rubber pads covering the screw openings on the bottom of the PV-802 speakers to reveal the holes for the mounting screws. (Fig A)

*NOTE: DO NOT remove the screw that is already on the bottom of the PV-802 main speaker. This screw is keeping the internal amp and mixer in place and must not be removed.*

2. Align the slots on the flat part of the adapter with the holes on the bottom of the PV-802 speaker (Fig. B)
3. Screw in the screws, tightly fastening the adapter to the speaker.

*NOTE: Make sure the adapter is attached firmly to the speaker.*

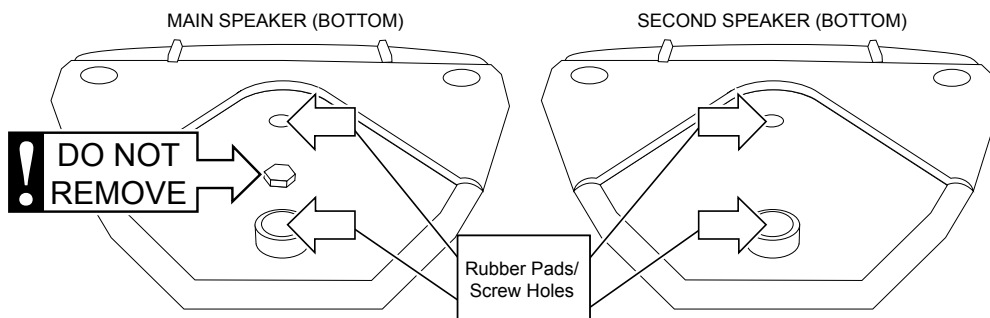


Fig.A

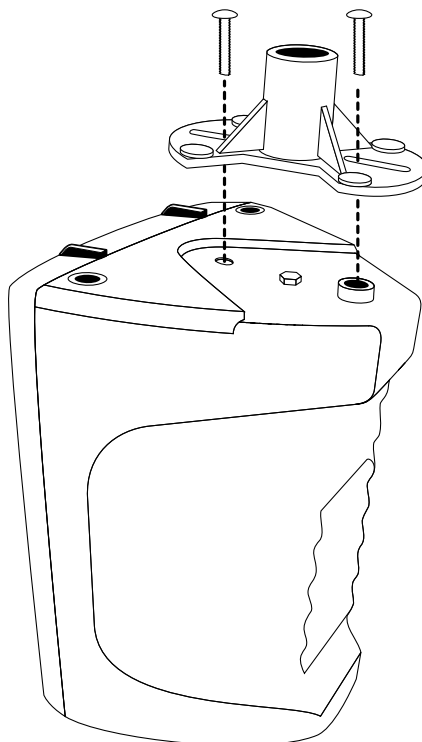


Fig.B

## Mounting on a Speaker Stand / Voltage Selector

### Setting up the Speaker Stands

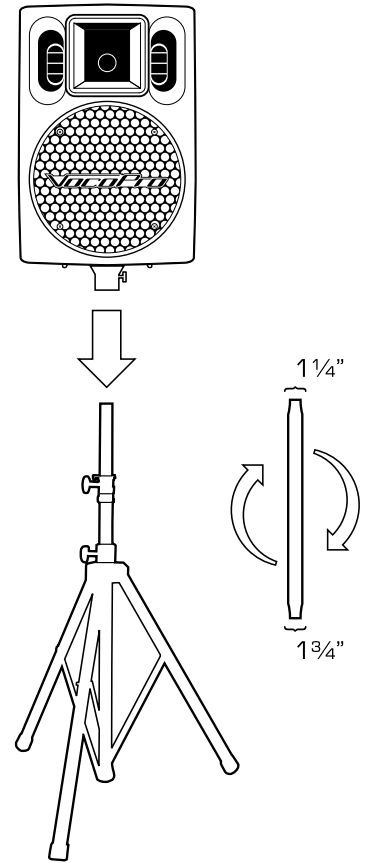
Setup each SS-88 speaker stand by extending the support legs to a position that is stable and tighten the tension mechanism firmly.

Each end of the SS-88 pole has a particular diameter fitted for common speakers' mounting cavities. If the SS-88 pole does NOT fit flush into the mounting adapter on the PV-802, loosen the SS-88 pole and reverse it in the stand and then remount the speaker.

### Mounting the Speaker(s)

Once the adapter is securely attached to the speaker:

1. Place the PV-802 on the SS-88 speaker pole
2. Fasten the fastener on the adapter until it is secured tightly
3. Repeat this for the next speaker



### Switching Voltage

The PV-802 has a voltage selector on the rear panel that switches between two voltage settings:

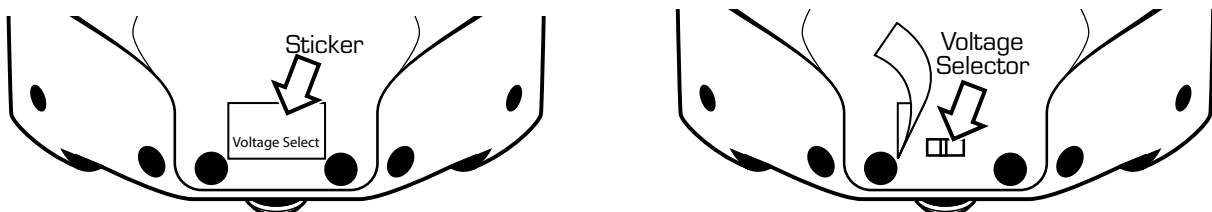
- 115V - North America, Canada, some South America
- 220V - Europe, Asia, some South America

*Note: The PV-802 comes preset to 115V and will only need to be switched if it is being used in a region that requires 220V.*

### To switch the voltage

1. Locate the voltage selector by removing the VOLTAGE SELECT sticker on the rear panel of the powered PV-802 speaker
2. Switch the selector to the proper voltage

**CAUTION:** Using the speakers while set to the wrong voltage can result in permanent damage and will void the warranty. Make sure you have set the PV-802 to the correct voltage before using.



## Free Manuals Download Website

<http://myh66.com>

<http://usermanuals.us>

<http://www.somanuals.com>

<http://www.4manuals.cc>

<http://www.manual-lib.com>

<http://www.404manual.com>

<http://www.luxmanual.com>

<http://aubethermostatmanual.com>

Golf course search by state

<http://golfingnear.com>

Email search by domain

<http://emailbydomain.com>

Auto manuals search

<http://auto.somanuals.com>

TV manuals search

<http://tv.somanuals.com>