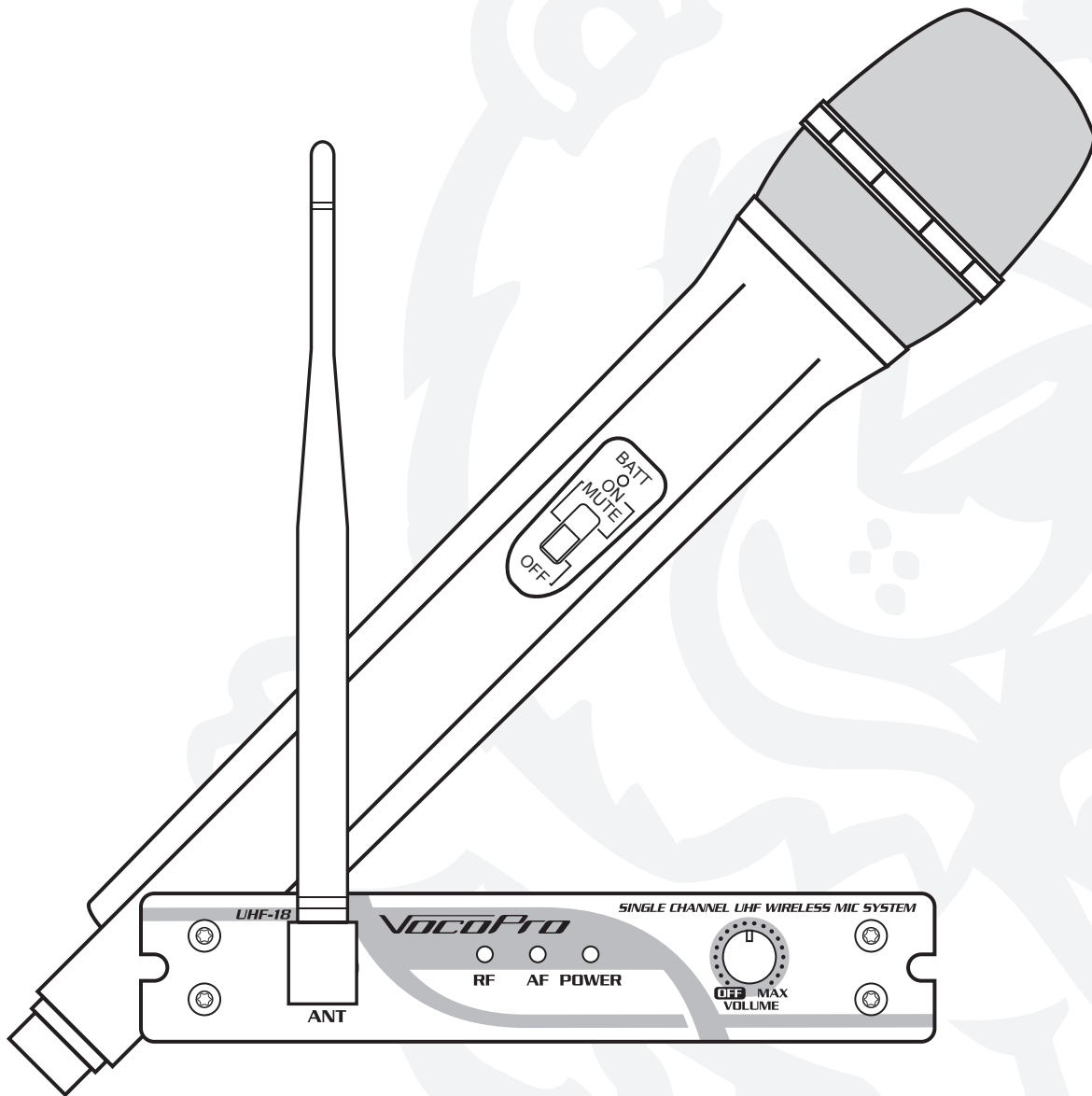


VocoPro[®]

PROFESSIONAL VOCAL SYSTEMS[™]



UHF-18

Single Channel Wireless Mic System

o w n e r ' s m a n u a l

Table of Contents

Safety Instructions	4
FCC Information	5
Welcome.	6
Listening for a Lifetime	7
Specifications and Features	8
Before Getting Started	9
Getting Connected	10-11
Descriptions and Functions	12
Basic Operations	13
Troubleshooting	14

Safety Instructions



CAUTION RISK OF SHOCK



CAUTION: To reduce the risk of electric shock, do not remove cover (or back). No user-serviceable parts inside. Only refer servicing to qualified service personnel.

Explanation of Graphical Symbols



The lightning flash & arrowhead symbol, within an equilateral triangle, is intended to alert you to the presence of danger.



The exclamation point within an equilateral triangle is intended to alert you to the presence of important operating and servicing instructions.

WARNING

To reduce the risk of fire or electric shock, do not expose this unit to rain or moisture.

- 1. Read Instructions** - All the safety and operating instructions should be read before the appliance is operated.
- 2. Retain Instructions** - The safety and operating instructions should be retained for future reference.
- 3. Heed Warnings** - All warnings on the appliance and in the operating instructions should be adhered to.
- 4. Follow Instructions** - All operating and use instructions should be followed.
- 5. Attachments** - Do not use attachments not recommended by the product manufacturer as they may cause hazards.
- 6. Water and Moisture** - Do not use this unit near water. For example, near a bathtub or in a wet basement and the like.
- 7. Carts and Stands** - The appliance should be used only with a cart or stand that is recommended by the manufacturer.
- 7 A.** An appliance and cart combination should be moved with care. Quick stops, excessive force, and uneven surfaces may cause an overturn.



- 8. Ventilation** - The appliance should be situated so its location does not interfere with its proper ventilation. For example, the appliance should not be situated on a bed, sofa, rug, or similar surface that may block the ventilation slots.
- 9. Heat** - The appliance should be situated away from heat sources such as radiators, heat registers, stoves, or other appliances (including amplifiers) that produce heat.
- 10. Power Sources** - The appliance should be connected to a power supply only of the type described in the operating instructions or as marked on the appliance.
- 11. Grounding or Polarization** - Precautions should be taken so that the grounding or polarization means of an appliance is not defeated.
- 12. Power-Cord Protection** - Power-supply cords should be routed so that they are not likely to be walked on or pinched by items placed upon or against them, paying particular attention to cords at plugs, convenience receptacles, and the point where they exit from the appliance.
- 13. Cleaning** - Unplug this unit from the wall outlet before cleaning. Do not use liquid cleaners or aerosol cleaners. Use a damp cloth for cleaning.
- 14. Power lines** - An outdoor antenna should be located away from power lines.
- 15. Nonuse Periods** - The power cord of the appliance should be unplugged from the outlet when left unused for a long period of time.
- 16. Object and Liquid Entry** - Care should be taken so that objects do not fall and liquids are not spilled into the enclosure through openings.
- 17. Damage Requiring Service** - The appliance should be serviced by qualified service personnel when:
 - A. The power supply cord or plug has been damaged; or
 - B. Objects have fallen into the appliance; or
 - C. The appliance has been exposed to rain; or
 - D. The appliance does not appear to operate normally or exhibits a marked change in performance; or
 - E. The appliance has been dropped, or the enclosure damaged.
- 18. Servicing** - The user should not attempt to service the appliance beyond that described in the operating instructions. All other servicing should be referred to qualified service personnel.

Note:

To CATV system installer's (U.S.A.): This reminder is provided to call the CATV system installer's attention to Article 820-40 of the NEC that provides guidelines for proper grounding and, in particular, specifies that the cable ground shall be connected as close to the point of cable entry as practical.

FCC Information

1. IMPORTANT NOTICE: DO NOT MODIFY THIS

UNIT!: This product, when installed as indicated in the instructions contained in this manual, meets FCC requirements. Modifications not expressly approved by Vocopro may void your authority, granted by the FCC, to use this product.

2. IMPORTANT: When connecting this product to accessories and/or another product use only high quality shielded cables. Cable(s) supplied with this product **MUST** be used. Follow all installation instructions. Failure to follow instructions could void your FCC authorization to use this product in the U.S.A.

3. NOTE: This product has been tested and found to comply with the requirements listed in FCC Regulations, Part 15 for Class "B" digital devices. Compliance with these requirements provides a reasonable level of assurances that your use of this product in a residential environment will not result in harmful interference with other electronic devices. This equipment generates/uses radio frequencies and, if not installed and used according to the instructions found in the owner's manual, may cause interference harmful to the operation of other electronic devices. Compliance with FCC regulations does not guarantee that interference will not occur in all installations. If this product is found to be the source of interference, which can be determined by turning the unit "Off" and "On", please try to eliminate the problem by using one of the following measures:

Relocate either this product or the device that is being affected by the interference.

Use power outlets that are on different branch (circuit breaker or fuse) circuits or install AC line filter(s).

In the case of radio or TV interference, relocate/reorient the antenna. If the antenna lead-in is 300-ohm ribbon lead, change the lead-in to coaxial type cable.

If these corrective measures do not produce satisfactory results, please contact your local retailer authorized to distribute Vocopro products. If you can not locate the appropriate retailer, please contact Vocopro, 1728 Curtiss Court, La Verne, CA 91750.

CAUTION

The apparatus is not disconnected from the AC power source so long as it is connected to the wall outlet, even if the apparatus itself is turned off. To fully ensure that the apparatus is indeed fully void of residual power, leave unit disconnected from the AC outlet for at least fifteen seconds.

CAUTION:

READ THIS BEFORE OPERATING YOUR UNIT

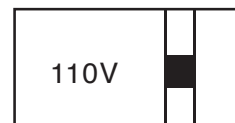
1. To ensure the finest performance, please read this manual carefully. Keep it in a safe place for future reference.
2. Install your unit in a cool, dry, clean place - away from windows, heat sources, and too much vibration, dust, moisture or cold. Avoid sources of hum (transformers, v motors). To prevent fire or electrical shock, do not expose to rain and water.
3. Do not operate the unit upside-down.
4. Never open the cabinet. If a foreign object drops into the set, contact your dealer.
5. Place the unit in a location with adequate air circulation. Do not interfere with its proper ventilation; this will cause the internal temperature to rise and may result in a failure.
6. Do not use force on switches, knobs or cords. When moving the unit, first turn the unit off. Then gently disconnect the power plug and the cords connecting to other equipment. Never pull the cord itself.
7. Do not attempt to clean the unit with chemical solvents: this might damage the finish. Use a clean, dry cloth.
8. Be sure to read the "Troubleshooting" section on common operating errors before concluding that your unit is faulty.
9. This unit consumes a fair amount of power even when the power switch is turned off. We recommend that you unplug the power cord from the wall outlet if the unit is not going to be used for a long time. This will save electricity and help prevent fire hazards. To disconnect the cord, pull it out by grasping the plug. Never pull the cord itself.
10. To prevent lightning damage, pull out the power cord and remove the antenna cable during an electrical storm.
11. The general digital signals may interfere with other equipment such as tuners or receivers. Move the system farther away from such equipment if interference is observed.

NOTE:

Please check the copyright laws in your country before recording from records, compact discs, radio, etc. Recording of copyrighted material may infringe copyright laws.

Voltage Selector (General Model Only)

Be sure to position the voltage selector to match the voltage of your local power lines before installing the unit.





Welcome

And thank you for purchasing the **UHF-18** from VocoPro, your ultimate choice in Karaoke entertainment! With years of experience in the music entertainment business, VocoPro is a leading manufacturer of Karaoke equipment, and has been providing patrons of bars, churches, schools, clubs and individual consumers the opportunity to sound like a star with full-scale club models, in-home systems and mobile units. All our products offer solid performance and sound reliability, and to reinforce our commitment to customer satisfaction, we have customer service and technical support professionals ready to assist you with your needs. We have provided some contact information for you below.

VocoPro

1728 Curtiss Court
La Verne, CA 91750
Toll Free: 800-678-5348
TEL: 909-593-8893
FAX: 909-593-8890

VocoPro Company Email Directory

Customer Service & General Information

info@vocopro.com

Tech Support

techsupport@vocopro.com

Remember Our Website

Be sure to visit the VocoPro website **www.vocopro.com** for the latest information on new products, packages and promos. And while you're there don't forget to check out our Club VocoPro for Karaoke news and events, chat rooms, club directories and even a KJ Service directory!

We look forward to hearing you sound like a PRO, with VocoPro, the singer's ultimate choice.

FOR YOUR RECORDS

Please record the model number and serial number below, for easy reference, in case of loss or theft. These numbers are located on the rear panel of the unit. Space is also provided for other relevant information

Model Number

Serial Number

Date of Purchase

Place of Purchase

Listening for a Lifetime

Selecting fine audio equipment such as the unit you've just purchased is only the start of your musical enjoyment. Now it's time to consider how you can maximize the fun and excitement your equipment offers. VocoPro and the Electronic Industries Association's Consumer Electronics Group want you to get the most out of your equipment by playing it at a safe level. One that lets the sound come through loud and clear without annoying blaring or distortion and, most importantly, without affecting your sensitive hearing.

Sound can be deceiving. Over time your hearing "comfort level" adapts to a higher volume of sound. So what sounds "normal" can actually be loud and harmful to your hearing. Guard against this by setting your equipment at a safe level BEFORE your hearing adapts.

To establish a safe level:

- Start your volume control at a low setting.
- Slowly increase the sound until you can hear it comfortably and clearly, and without distortion.

Once you have established a comfortable sound level:

- Set the dial and leave it there.
- Pay attention to the different levels in various recordings.

Taking a minute to do this now will help to prevent hearing damage or loss in the future. After all, we want you listening for a lifetime.

Used wisely, your new sound equipment will provide a lifetime of fun and enjoyment. Since hearing damage from loud noise is often undetectable until it is too late, this manufacturer and the Electronic Industries Association's Consumer Electronics Group recommend you avoid prolonged exposure to excessive noise. This list of sound levels is included for your protection.

Some common decibel ranges:

Level	Example
30	Quiet library, Soft whispers
40	Living room, Refrigerator, Bedroom away from traffic
50	Light traffic, Normal Conversation
60	Air Conditioner at 20 ft., Sewing machine
70	Vacuum cleaner, Hair dryer, Noisy Restaurant
80	Average city traffic, Garbage disposals, Alarm clock at 2 ft.

The following noises can be dangerous under constant exposure:

Level	Example
90	Subway, Motorcycle, Truck traffic, Lawn Mower
100	Garbage truck, Chainsaw, Pneumatics drill
120	Rock band concert in front of speakers
140	Gunshot blast, Jet plane
180	Rocket launching pad

-Information courtesy of the Deafness Research Foundation

Specifications and Features

Ever find yourself thinking “if only I had one more wireless mic,” or wanting to add a wireless mic to a non-wireless system? Now you can, thanks to the UHF-18 from VocoPro.

The UHF-18 is a single channel UHF wireless microphone module that can add wireless capability to any system with a 1/4” input. Designed as a plug-in module for VocoPro’s HERO-RV, CHAMPION-RV and SOUNDMAN series, the UHF-18 is also a stand alone module that can hook up to any audio system with a 1/4” input.

So if you are looking to add a wireless mic to your system without the cost and bulk of a multiple mic system, pick up a UHF-18 today.

- Can Be Used as a Plug-In Module or as a Stand-Alone Unit
- UHF Antenna Connects Securely with BNC Plug
- Volume Control with Power Switch
- 1/4” Mic Out and DC Input for Independent Operation
- Fits Expansion Ports on the HERO-RV, CHAMPION-RV, DVD-SOUNDMAN and SOUNDMAN
- Microphone Uses Two AA Batteries (not included)
- Power Adapter and 1/4” Patch Cable Included

Before Getting Started

Thank you for purchasing the UHF-18 single channel wireless microphone system. The UHF-18 will provide years of reliability and high quality entertainment for you if used properly. Please read this manual carefully before using your UHF-18 to ensure best performance.

Unpacking the UHF-18:

Carefully remove the UHF-18 from its carton. It is recommended that you store the original packaging materials in case you need to ship this equipment for any reason.

Be sure you have the following parts and components included with your UHF-18:

ITEMS:

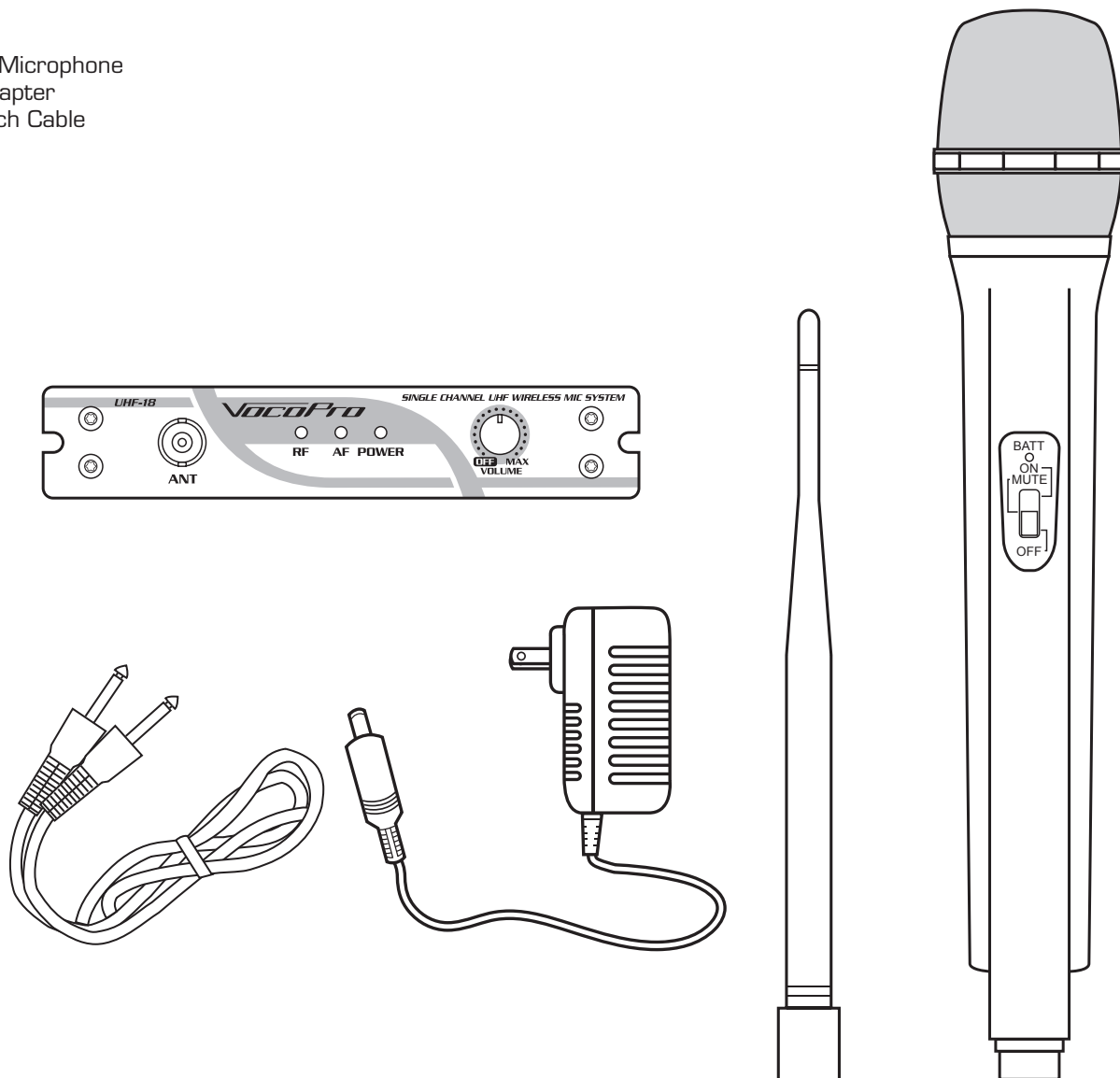
UHF-18

Antenna

Wireless Microphone

Power Adapter

1/4" Patch Cable



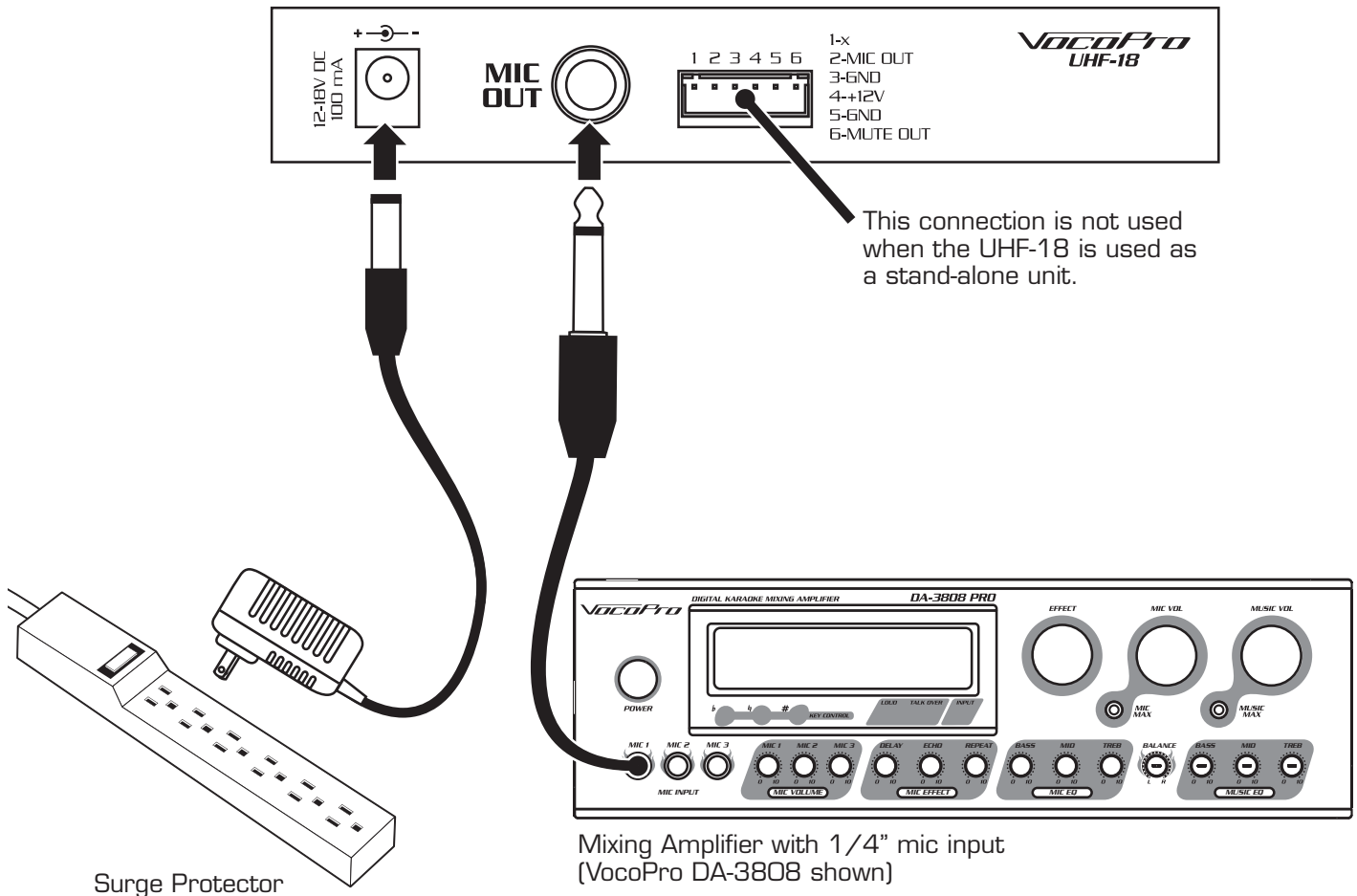
Getting Connected

Using the UHF-18 as a stand-alone unit

The UHF-18 can be used with any device that has a 1/4" mic input.

To connect the UHF-18:

1. Use a 1/4" patch cable to connect the UHF-18 mic out to the 1/4" mic input on your mixer or other device.
2. Connect the power adapter cable to the DC power input of the UHF-18 and plug the adapter into the power source. A surge protector is recommended.



NOTE: Use the power adapter only when using the UHF-18 as a stand alone unit as shown above. Connecting the power adapter when using the UHF-18 as a plug-in module may result in damage to the UHF-18.

Getting Connected

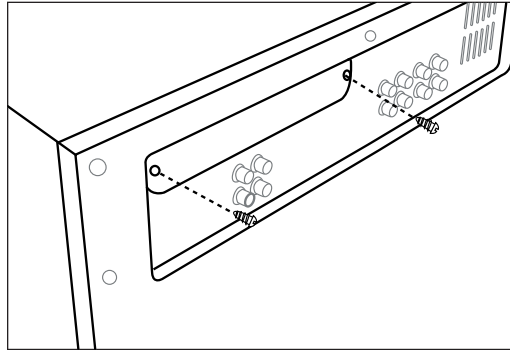
Installing the UHF-18 in a compatible VocoPro unit

The UHF-18 can be installed in a compatible VocoPro unit, such as the SOUNDMAN, DVD-SOUNDMAN, CHAMPION-RV and HERO-RV.

To install the UHF-18:

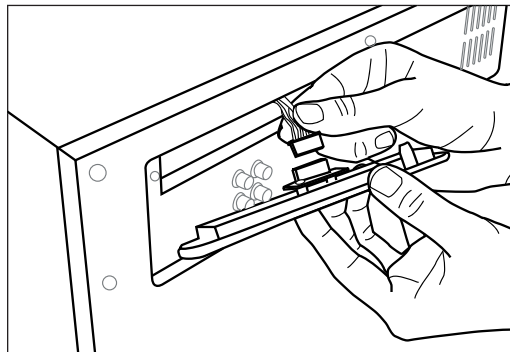
1. Turn off the unit and unplug it from the power source.
2. Unscrew the expansion port cover.

NOTE: The rear panel of your unit may differ from what is shown in the illustration, but the installation procedure will be the same.



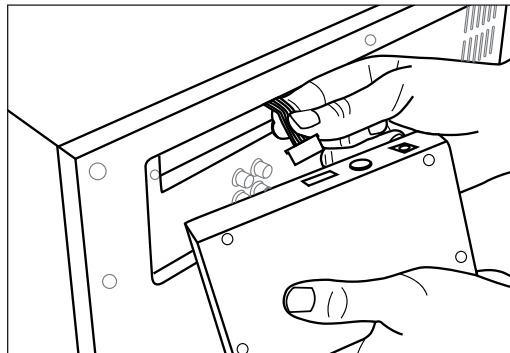
3. Pull the expansion port cover from the expansion port, and disconnect the connection cable.

NOTE: Do not let the cable fall back into the unit. It may be necessary to temporarily secure the cable to the unit with a piece of tape to prevent the cable from falling back into the unit.

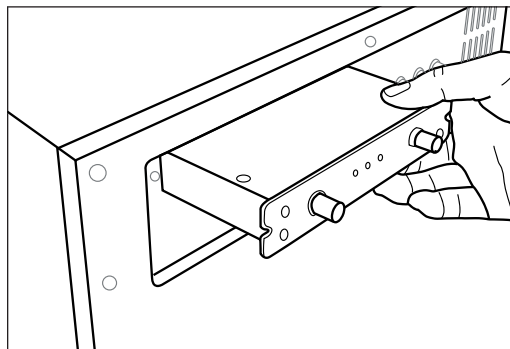


4. Attach the connection cable to the UHF-18.

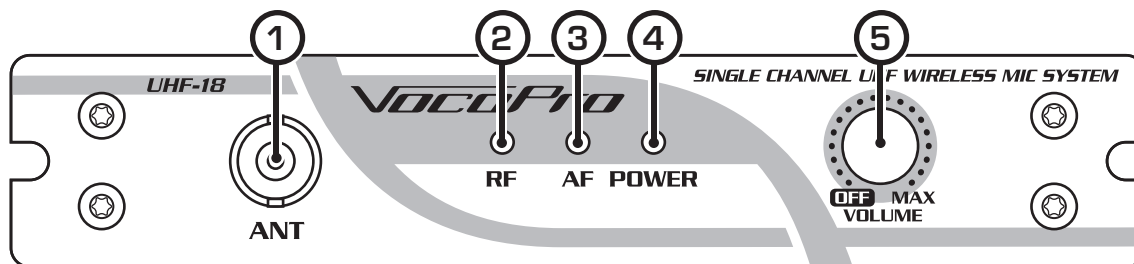
NOTE: The 1/4" jack and DC power input are not used when the UHF-18 is used as a plug-in module.



5. Carefully slide the UHF-18 into the expansion port, and secure it in place using the two screws.

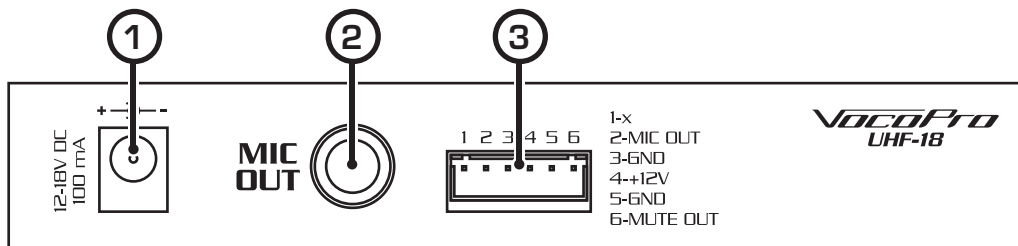


Descriptions and Functions



Front Panel

- 1. BNC Antenna Connector** - Connect the antenna here. To attach, press and twist clockwise until the connector latches. To detach, press and twist counter-clockwise.
- 2. RF Indicator LED** - This LED will turn on when the UHF-18 detects a wireless signal from the wireless microphone. (When the wireless microphone is switched on)
- 3. AF Indicator LED** - This LED will turn on when the UHF-18 detects an audio signal from the wireless microphone. (When the wireless microphone is spoken or sung into)
- 4. Power Indicator LED** - This LED will turn on when the UHF-18 is powered on.
- 5. Power/Volume Dial** - This dial will turn on the UHF-18. Turn the dial clockwise, it will click, turning the unit on. When the UHF-18 is on, this dial is used to adjust the volume of the wireless mics. Turn the dial clockwise to increase the volume and counter-clockwise to decrease the volume. To turn the UHF-18 off, turn the dial completely counter-clockwise until it clicks.



Rear Panel

- 1. Power Connector** - When using the UHF-18 as a stand-alone unit, connect the power adapter here. When using the UHF-18 as a plug-in module, this plug is not used.
NOTE: Plugging in the power adapter when using the UHF-18 as a plug-in module may result in damage to the UHF-18.
- 2. 1/4" MIC OUT Jack** - When using the UHF-18 as a stand-alone unit, connect a cable from this jack to the mic input on your mixer or other device. When using the UHF-18 as a plug-in module, this plug is not used.
- 3. Multi-Purpose Plug** - When using the UHF-18 as a plug-in module, connect the multi-purpose cable from the plug-in slot to this plug. When using the UHF-18 as a stand-alone unit, this plug is not used.

Basic Operations

Using the UHF-18

The UHF-18 can be used as a plug-in module or as a stand-alone module. In both setups, the function of the UHF-18 is the same.

To use the UHF-18:

1. Plug in all power sources.
2. Switch on the your main unit and the UHF-18.
3. Switch on the wireless microphone.
4. Adjust the volume using the UHF-18s volume control, and using the mic input volume control on your main unit.

When using the UHF-18 as a plug-in module, (SOUNDMAN, DVD-SOUNDMAN, HERO-RV, CHAMPION-RV) the UHF-18 will use one of the input channels. Be sure to determine which input is being used, as plugging a wired mic or instrument into that input channel will switch off the wireless microphone.

To determine which input channel the UHF-18 is using (SOUNDMAN, DVD-SOUNDMAN, HERO-RV, CHAMPION-RV):

1. Turn all the individual input channel volume controls down.
2. Speak into the wireless microphone while turning up each input channel independently.
3. Make a note of which input channel the UHF-18 is using so that no cables are plugged into that input channel while the UHF-18 is in use.

Troubleshooting

There is no power

- If using the UHF-18 as a plug-in module, make sure the connector cable is firmly attached.
- Make sure the UHF-18 is turned on by turning the Power/Volume knob clockwise.
- Make sure all of your components are turned on.
- When using the UHF-18 as a stand alone unit, make sure the power adapter is plugged in.

There is no sound

- Make sure everything is connected firmly and properly.
- Make sure all of your components are turned on.
- Make sure the mic is switched on, and not switched to mute.
- Adjust the volume knob on the wireless module.
- Make sure the microphone batteries are charged and installed correctly.

VocoPro[®]

PROFESSIONAL VOCAL SYSTEMS[™]



UHF-18 Owner's Manual
© VocoPro 2009
v1.1130
www.vocopro.com

Free Manuals Download Website

<http://myh66.com>

<http://usermanuals.us>

<http://www.somanuals.com>

<http://www.4manuals.cc>

<http://www.manual-lib.com>

<http://www.404manual.com>

<http://www.luxmanual.com>

<http://aubethermostatmanual.com>

Golf course search by state

<http://golfingnear.com>

Email search by domain

<http://emailbydomain.com>

Auto manuals search

<http://auto.somanuals.com>

TV manuals search

<http://tv.somanuals.com>