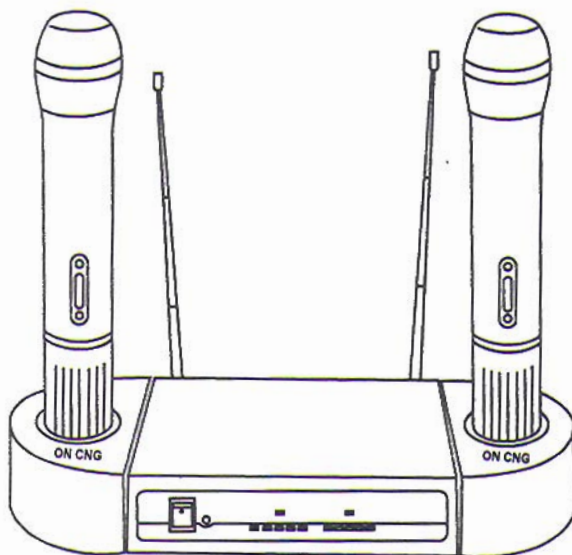


VocoPro OWNER'S MANUAL

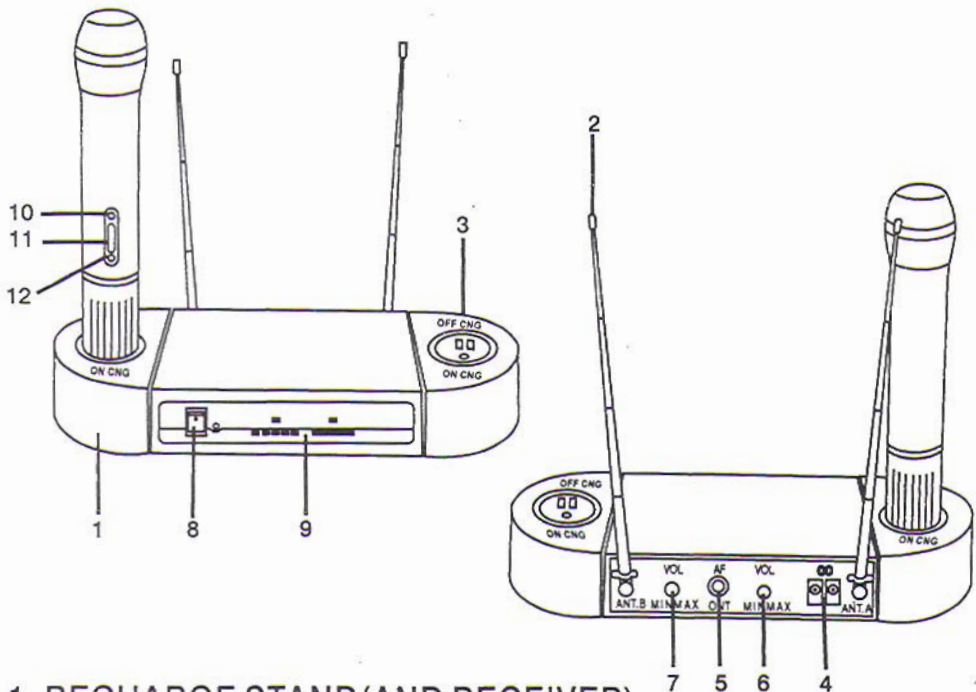


VHF - 38 **DUAL RECHARGEABLE** **WIRELESS MICROPHONES**

EXCELLENT FEATURES:

- **BUILT IN RECHARGEABLE BASE ON THE RECEIVER. RECHARGES THE BATTERY INSIDE THE MICROPHONE**
- **VHF BAND QUARTZ LOCK FOR DRIFT FREE OPERATION**
- **AUDIO MUTE CIRCUITRY PROVIDES NOISELESS ON/OFF SWITCHING**
- **TONE SQUELCH CODING ELIMINATES RADIO FREQUENCY NOISE BURSTS**

NAME OF PARTS AND THEIR FUNCTIONS



1. RECHARGE STAND(AND RECEIVER)

2. RECEIVERS ANTENNA AND THE ANTENNA CLIP HOLDER
PUT OUT THE ANTENNA FROM BACK OF THE RECEIVER,
THAN PLACE THE ANTENNA ON THE CLIP HOLDER TO
GET THE BEST RECEPTION.

3. CHARGING TERMINAL:

USE THIS TERMINAL TO CHARGE THE MICROPHONE BY
INSERT THE MICROPHONE INTO THE TERMINAL SO THE
BATTERY CHARGING INDICATOR WILL LIGHT UP, WHEN
FINISH CHARGING, TURN THE MICROPHONE AROUND SO
THE BATTERY CHARGING INDICATOR WILL GO OFF.

NOTE: THIS MICROPHONE WILL OPERATE WITH
REGULAR NON CHARGEABLE BATTERY, BUT MAKE SURE
YOU DO NOT PLACE THE MICROPHONE ON THE
RECEIVER/CHARGER STAND(EVEN RECEIVER POWER IS
OFF)**CHARGING THE REGULAR NON CHARGEABLE
BATTERY MAY CAUSE THE BATTERY TO EXPLORE.**

4. AC ADAPTER LOOP-JACKS:
PLUG THE AC ADAPTER JACK INTO ONE OF THE TWO JACKS TO GET POWER(USE ONLY THE ADAPTER SUPPLIED)
NOTE:THE SECOND JACK IS DESIGN TO POWER THE OPTIONAL BODY PACK, DO NOT PLUG ANY THING INTO THIS JACK TO PREVENT DAMAGE THE SYSTEM.
5. MICROPHONE SIGNAL OUTPUT JACK:
CONNECT ONE SIDE OF THE 1/4" JACK INTO THIS JACK, CONNECT THE OTHER SIDE TO THE MICROPHONE INPUT JACK OF YOUR SYSTEM.
- 6/7. OUTPUT VOLUME CONTROLS:
PRE SET THE DESIRE OUTPUT THAT SOUNDS THE BEST WITH YOUR SYSTEM BY TURNING THIS KNOS UP OR DOWN(ALWAYS KEEP THIS OUTPUT AT THE LOWER SETTING TO AVOID MICROPHONE FEED-BACK.)
8. RECEIVER ON/OFF SWITCH:
TURNS THE RECEIVER ON OR OFF, TURNING THE RECEIVER OFF WILL NOT EFFECT THE CHARGING SYSTEM.
9. SIGNAL INDICATOR LIGHT:
WHEN THE RECEIVER AND MICROPHONE IS TURNED ON, THE LED WILL TURN GREEN TO SHOW IT'S RECEIVING SIGNAL.
10. POWER INDICATOR LIGHT:
WHEN MICROPHONE IS TURNED ON, GREEN LIGHT SHOWS THAT BATTERY IS WITH IN OPERATING POWER, RED LIGHT SHOWS THE BATTERY IS WEAK.
11. MICROPHONE ON/OFF SWITCH:
TURNS THE MICROPHONE ON OR OFF.
12. CHARGING INDICATOR LIGHT:
WHEN PLACING THE MICROPHONE TO CHARGING POSITION ON THE RECEIVER. THE YELLOW LIGHT WILL TURN ON TO SHOW THE BATTERY IS AT CHARGE MODE.

OPERATION

1. CHECK ALL THE ACCESSORIES FROM THIS LIST

1. MICROPHONE/TRANSXITTER X 2
2. RECEIVER/CHARGER UNIT X 1
3. AC ADAPTER X 1
4. 9V RECHARGEABLE BATTERY X 2
5. 1/4" JACK CABLE X 1

2. TURN THE MICROPHONE ON/OFF SWITCH TO OFF POSITION, INSERT THE RECHARGEABLE BATTERY INTO THE MICROPHONE BY TURNING BOTTOM PART OF THE MICROPHONE OPEN (MAKE SURE THE "+" AND THE "-" ARE PLACED CORRECTLY.

NOTE: THIS MICROPHONE WILL OPERATE WITH REGULAR NON CHARGEABLE BATTERY, BUT MAKE SURE YOU DO NOT PLACE THE MICROPHONE ON THE RECEIVER / CHARGER STAND (EVEN THE RECEIVER POWER IS OFF) **CHARGING THE REGULAR NON CHARGEABLE BATTERY MAY CAUSE THE BATTERY TO EXPLODE.**

3. PLUG THE AC ADAPTER INTO THE BACK OF THE RECEIVER / CHARGER UNIT AND TURN ON THE POWER.

4. PLUG ONE END OF THE 1/4" JACK CABLE TO THE BACK OF THE RECEIVER/CHARGER UNIT AND THE OTHER END TO THE INPUT JACK OF YOUR SYSTEM.

5. TURN ON YOUR SYSTEM, TURN DOWN THE INPUT LEVEL OF YOUR SYSTEM.

6. TURN ON YOUR MICROPHONE, YOU SHOULD SEE A GREEN LIGHT ON THE RECEIVERS SIGNAL INDICATOR, TALK INTO THE MICROPHONE AND TURN UP THE MICROPHONE VOLUME OF YOUR SYSTEM UNTIL IT REACHES THE DESIRE SOUND LEVEL.

7. AFTER PERFORMING, TURN OFF THE POWER ON BOTH THE MICROPHONE AND RECEIVER/CHARGER, CHARGE THE RECHARGEABLE BATTERY BY PLACING THE MICROPHONE ON THE RECEIVER/CHARGER UNIT, MAKE SURE THE BATTERY CHARGING INDICATOR LED LIGHT ON, TO MAINTAIN A LONGER RECHARGEABLE BATTERY LIFE. DO NOT CHARGE THE RECHARGEABLE BATTERY FOR MORE THAN EIGHT HOURS, TO STOP CHARGING, JUST TURN THE MICROPHONE SO THE BATTERY CHARGING LIGHT IS OFF.

SYMPTOM	CAUSE	REMEDY
	b. THE MICROPHONE IS NOT CONNECTED TO THE CHARGING BASE PROPERLY,	b. CHECK THE BATTERY CHARGING INDICATOR LIGHT WHEN THE MICROPHONE IS BEING CHARGED,
	c. BATTERY IS NOT FULLY CHARGED	c. CHARGE THE BATTERY FOR A FULL EIGHT HOURS BEFORE USE

OPERATION TIPS

1. FOR THE BEST RESULT PLACE THE RECEIVER AT LEAST 1 METER ABOVE THE GROUND AND AT LEAST 1 METER AWAY FROM CONCRETE WALLS OR METAL SURFACES TO PREVENT ANY REFLECTION. THE MICROPHONE SHOULD ALSO BE AT LEAST 1 METER AWAY FROM THE RECEIVERS ANTENNA.
2. TURN VOLUME CONTROLS OF THE RECEIVER AND OTHER EQUIPMENT TO A MINIMUM SETTING, THEN SWITCH BOTH THE RECEIVER AND MICROPHONE ON, YOU SHOULD SEE THE GREEN SIGNAL TURN ON TO SHOW IT'S RECEIVING SIGNAL.
3. *WHEN THE MICROPHONE ARE "OFF", BUT THE SIGNAL INDICATOR INDICATOR STILL LIGHT UP, IT MEANS THAT THE RECEIVER WERE INTERFERED, CHECK FOR THE SOURCE OF INTERFERENCE OR CHANGE THE RECEIVERS LOCATION, IF THE INTERFERENCE STILL EXIST, IT MEANS THE CHANNEL IS STRONGLY INTERFERED, CHANGING THE SYSTEM WITH DIFFERENT FREQUENCY IS THUS THE BEST WAY.*
4. PROPER BALANCE THE OUTPUT OF RECEIVER: TURN THE VOLUME CONTROL OF THE RECEIVER TO THE CENTER, THEN ADJUST INPUT LEVEL OF THE MIXER OR EQUIPMENT TO THE APPROPRIATE SOUND.

NOTE: IF THE RECEIVER OUTPUT IS SET TOO HIGH OR MIXER VOLUME CONTROL IS SET TOO LOW, IT WILL CAUSE DISTORTION FROM THE MIXER OUTPUT. ON THE OTHER HAND, IF THE BEFORE MENTIONED SET-UPS APE REVERSED, THE S/N RATIO WILL BECOME WORSE.

TROUBLE SHOOTING

SYMPTOM	CAUSE	REMEDY
NO SOUND	a. MICROPHONE OR THE RECEIVER UNIT NOT TURN ON,	a. TURN BOTH THE MICROPHONE AND THE RECEIVER ON, CHECK THE SIGNAL INDICATOR LIGHT TO SEE IF YOU ARE RECEIVING SIGNAL,
	b. OUTPUT LEVEL SETTING IS TOO LOW.	b. TURN UP THE OUTPUT LEVEL FROM THE BACK OF THE RECEIVER UNIT,
	c. INPUT VOLUME OF YOUR SYSTEM NOT TURNED ON.	c. CHECK THE INPUT VOLUME ON YOUR SYSTEM.
NOISE WHEN THE MICROPHONE IS OPERATING	a. BATTERY IS LOW,	a. CHECK THE BATTERY POWER INDICATOR, RECHARGE THE BATTERY,
	b. ANTENNA IS NOT FULLY EXTENDED,	b. EXTEND THE ANTENNA ALL THE WAY UP,
	c. THE MICROPHONE IS OUT OF RANGE.	c. PLACE THE RECEIVER CLOSER TO THE MICROPHONE OPERATING RANGE.
BATTERY RUNNING LOW EVEN WHEN JUST CHARGED.	a. RECHARGEABLE BATTERY IS OUT (RECHARGEABLE BATTERY HAS A LIFE OF ABOUT 500 HOURS OF CHARGING AND DISCHARGING),	a. REPLACE THE RECHARGEABLE BATTERY WITH THE SAME TYPE OF 9V, RECHARGEABLE BATTERY (WARNING: CHARGING THE NON RECHARGEABLE BATTERY MAY CAUSE THE BATTERY TO EXPLODE),

Free Manuals Download Website

<http://myh66.com>

<http://usermanuals.us>

<http://www.somanuals.com>

<http://www.4manuals.cc>

<http://www.manual-lib.com>

<http://www.404manual.com>

<http://www.luxmanual.com>

<http://aubethermostatmanual.com>

Golf course search by state

<http://golfingnear.com>

Email search by domain

<http://emailbydomain.com>

Auto manuals search

<http://auto.somanuals.com>

TV manuals search

<http://tv.somanuals.com>