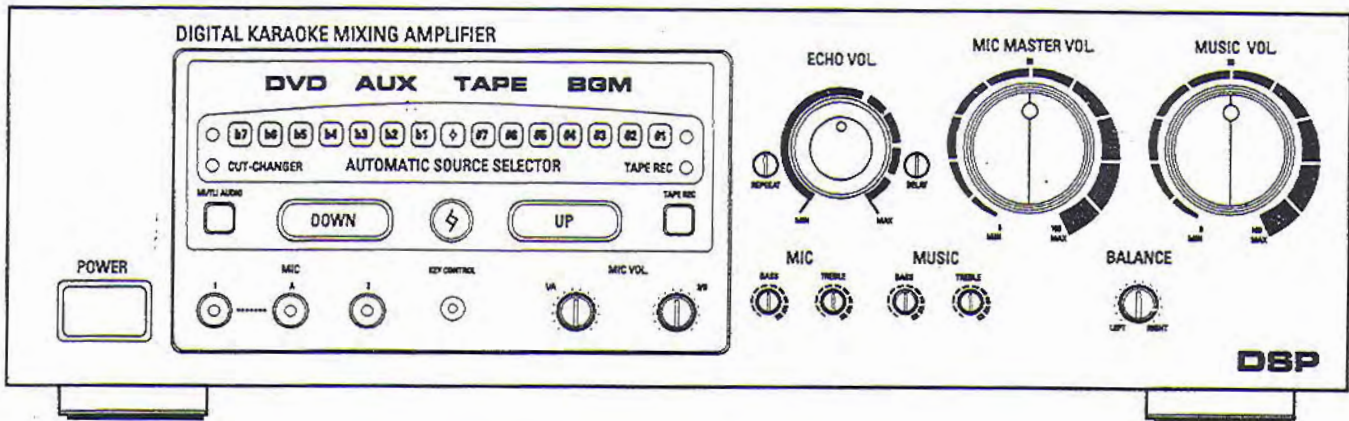


STEREO MIXING AMPLIFIER

Owner's Manual



VocoPro

DA-8900PRO

DIGITAL KARAOKE MIXING AMPLIFIER

EXCELLENT FEATURES:

- 300W + 300W MAXIMUM POWER OUTPUT AT 4Ω/150W + 150W CONTINUOUS OUTPUT AT 4Ω
- 15 STEPS (HALF TONE) DSP KEY CONTROLLER WITH AUTO RESET
- DIGITAL ECHO/REPEAT/DELAY
- ONE TOUCH TAPE RECORDING FUNCTION FOR USE WITH EXTERNAL TAPE DECK
- NOISE REDUCTION CIRCUITRY FOR SUPERB RECORDING RESULTS
- AUTO A/V SOURCE SELECTION
- FULL FUNCTION REMOTE CONTROL

CAUTION:
RISK OF ELECTRIC SHOCK
DO NOT OPEN

CAUTION: TO REDUCE THE RISK OF ELECTRIC SHOCK, DO NOT REMOVE COVER (OR BACK) NO USER-SERVICE-ABLE PARTS INSIDE REFER SERVICING TO QUALIFIED SERVICE PERSONNEL



The lightning flash with arrowhead symbol, within an equilateral triangle, is intended to alert the user to the presence of uninsulated "dangerous voltage" within the product's enclosure that may be of sufficient magnitude to constitute a risk of electric shock to persons.



The exclamation point within an equilateral triangle is intended to alert the user to the presence of important operating and maintenance (servicing) instructions in the literature accompanying the appliance.

WARNING

TO REDUCE THE RISK OF FIRE OR ELECTRIC SHOCK, DO NOT EXPOSE THIS APPLIANCE TO RAIN OR MOISTURE.

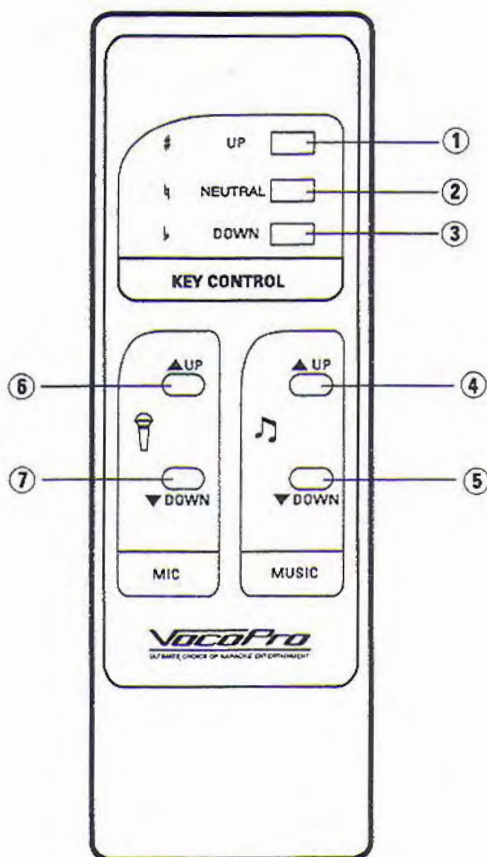
CAUTION:

TO PREVENT ELECTRIC SHOCK, DO NOT USE THIS (POLARIZED) PLUG WITH AN EXTENSION CORD, RECEPTACLE OR OTHER OUTLET UNLESS THE BLADES CAN BE FULLY INSERTED TO PREVENT BLADE EXPOSURE.

TABLE OF CONTENTS

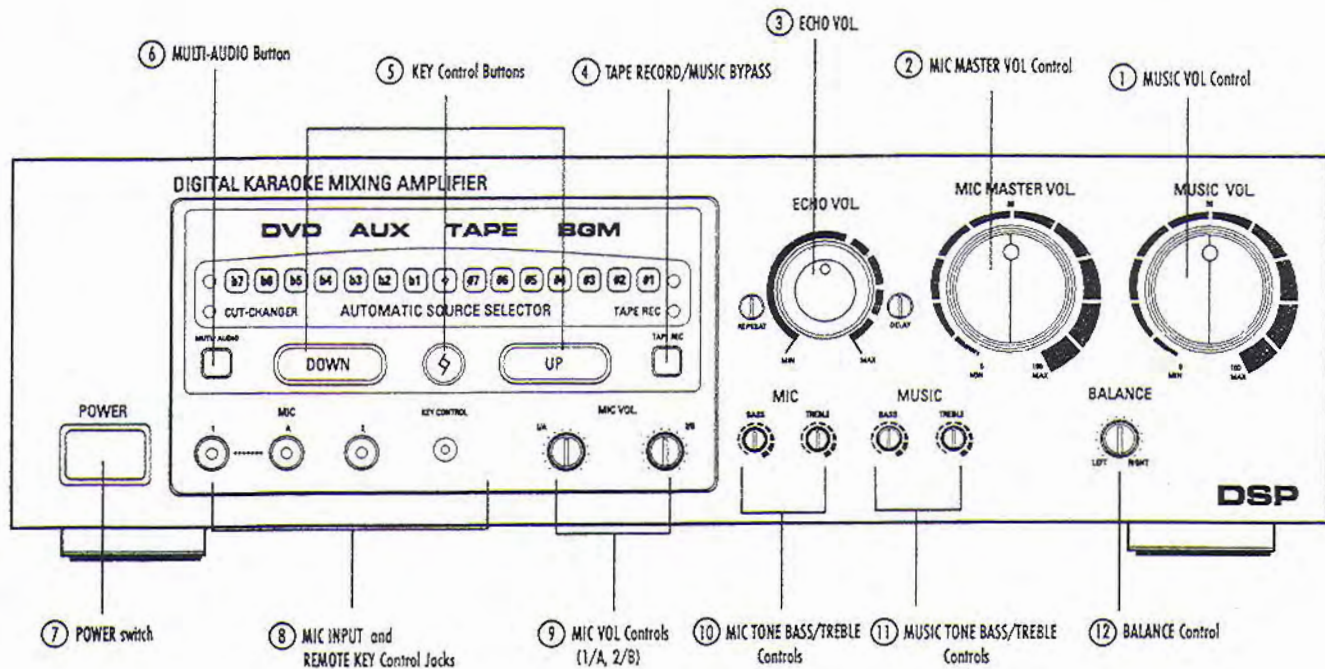
CAUTION	1
REMOTE CONTROL UNIT	2
NAME OF PARTS AND THEIR FUNCTION (FRONT PANEL)	3
NAME OF PARTS AND THEIR FUNCTION (BACK PANEL)	4
CONNECTIONS	5
SPECIFICATIONS	6
IMPORTANT SAFEGUARDS	7-8

REMOTE CONTROL UNIT



- 1 KEY CONTROL (UP) BUTTON**
Press to transpose the key of music 1/2 tone up per step.
- 2 KEY CONTROL (NEUTRAL) BUTTON**
Press to reset music to its original key.
- 3 KEY CONTROL (DOWN) BUTTON**
Press to transpose the key of music 1/2 tone down per step.
- 4 MUSIC VOLUME (UP) BUTTON**
Press to raise the volume of the music.
- 5 MUSIC VOLUME (DOWN) BUTTON**
Press to lower the volume of the music.
- 6 MICROPHONES VOLUME (UP) BUTTON**
Press to raise the volume of the master microphone.
- 7 MICROPHONES VOLUME (DOWN) BUTTON**
Press to lower the volume of the master microphone.

NAMES OF PARTS AND THEIR FUNCTIONS



① MUSIC VOL Control

This control allows you to adjust the volume of the musical source. (The volume of BGM is controlled on the rear panel).

② MIC MASTER VOL Control

This control adjusts the overall volume of all microphones.

③ ECHO VOL.

(DELAY/REPEAT) Control

Adjust the parameters of the echo effect with these controls as desired.

DELAY Control: Adjust the delay time with this control.
REPEAT Control: Adjust the interval of repetitions with this control.

④ TAPE RECORD/BYPASS

Use this to record music only, use the pre-out jack to record both music and mic (vocal).

To RECORD the music only:

Press the tape REC button to start recording. The LED indicator lights and the deck enters the record mode. Press the button again after recording. The LED Indicator goes out. (The tape input cannot be selected in the record mode).

⑤ KEY Control Buttons

Press to transpose the key of the music. The key can be transposed by 7 steps up and 7 steps down the original key in 1/2 tone per step. The new key is indicated by the indicator above the button. (The original key resumes 4 seconds).

⑥ MULTI-AUDIO Button

Press this button one time to cancel the pre-recorded vocal on the multi-audio music. Press the button 2

again, will cancel the pre-recorded vocal only when singing into the microphone, press the button one more time will turn off the multi-audio function.

⑦ POWER Switch

Press the switch to turn the power ON. Press it again to turn the power OFF.

⑧ MIC INPUT & REMOTE KEY Control Jacks

Connect microphones 1/4 jacks to the MIC INPUT jacks 1, 1A and 2, connect the optional key control microphone to the KEY CONTROL jack to remotely change the key of the music.

⑨ MIC VOL Controls (1/A, 2/B)

1/A: This control adjusts the microphone input level from the MIC INPUT 1 jack (front panel), MIC INPUT 1A jack (front panel) and rear MIC jacks 1 & 1A.

2/B: This control adjusts the microphone input level from the MIC INPUT jack 2 (front panel), rear MIC INPUT jack 2 (rear panel) and MIC B (wireless) jack (rear panel).

⑩ MIC TONE BASS/TREBLE Controls

These controls are used to boost or cut the low and high frequency response of microphones.

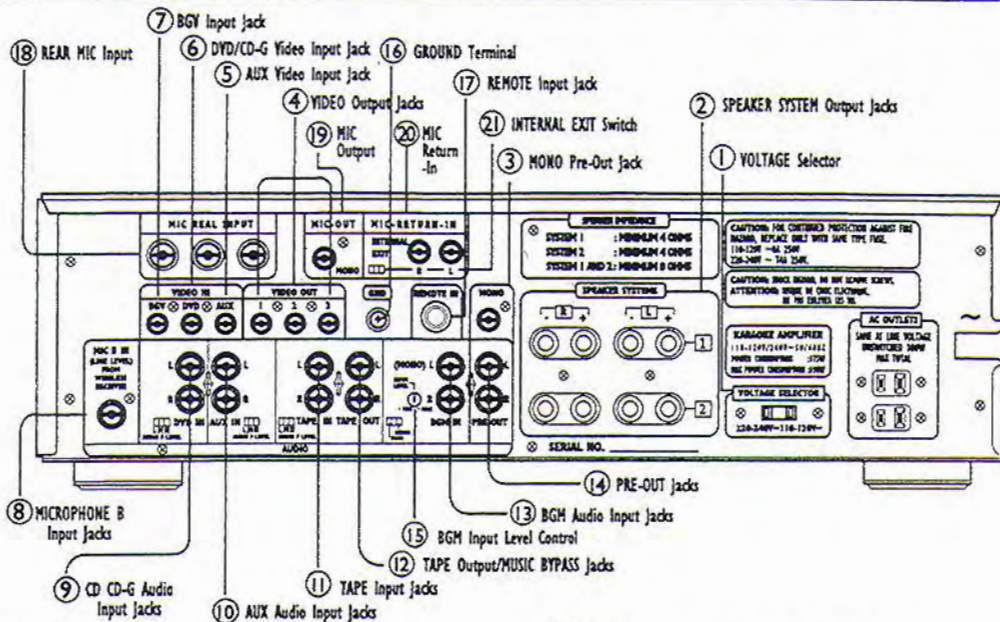
⑪ MUSIC TONE BASS/TREBLE Controls

These controls are used to boost or cut the low and high frequency responses of music.

⑫ BALANCE Control

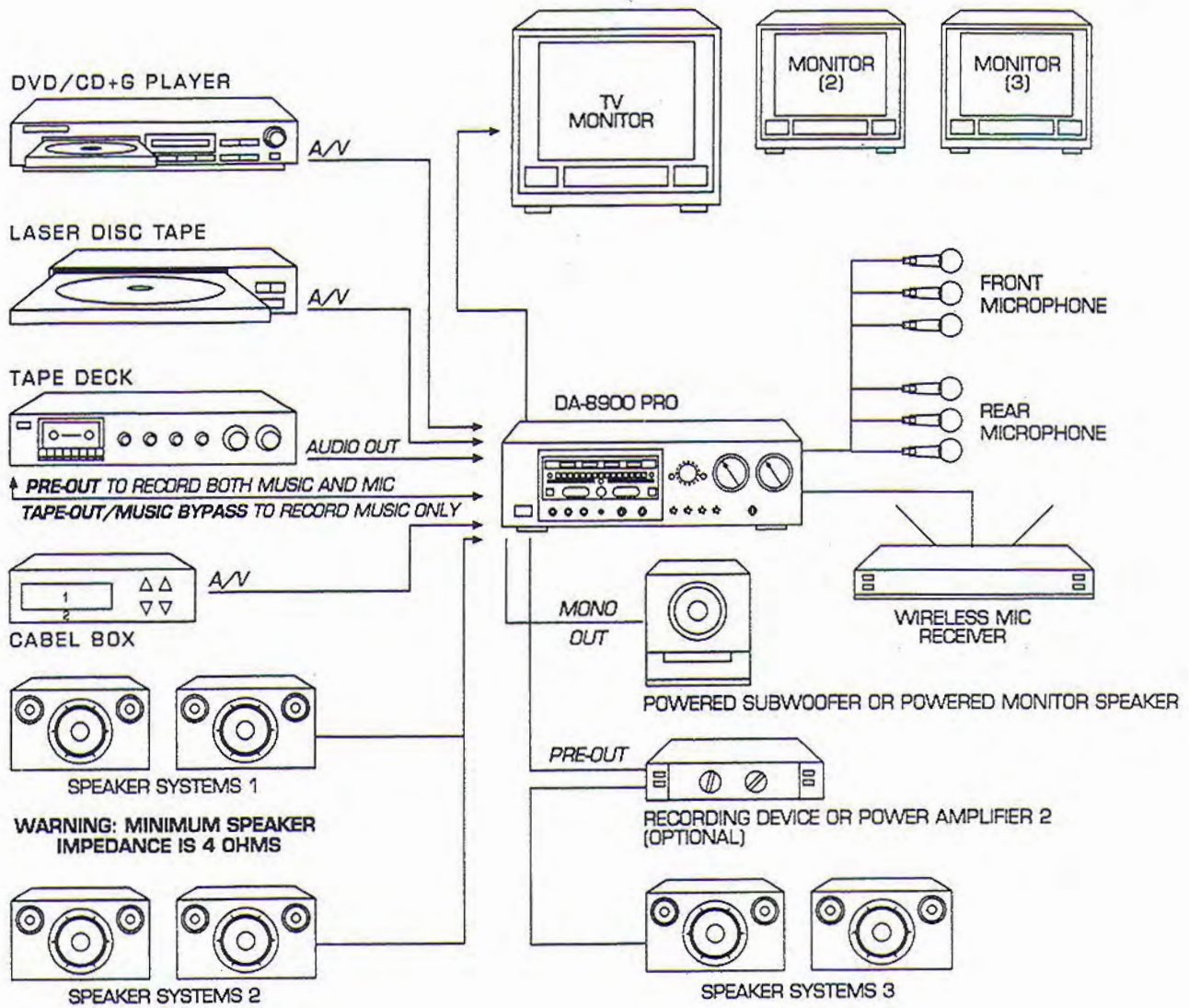
With this control you can adjust the balance of the volume between the left and right channels.

NAMES OF PARTS AND THEIR FUNCTIONS



- 1 VOLTAGE Selector**
 Before your amplifier is shipped from the factory, the switch is set to 110 V. If you move to an area where the voltage requirements differ, set under the responsibility of the user according to the local power voltage. Be sure to replace the fuse with the specified after changing the voltage setting.
 110-120V -7A 220-240V -3.5A
- 2 SPEAKER SYSTEM Terminals**
 Use these terminals to hook up to four speakers, connect positive to the red terminal, connect negative to black terminal.
Caution: The minimum impedance for the speakers are 4 ohms, overloading the speakers may cause system to shut down or permanently damage the system, please see the charts below.
 Two 8 ohms speakers = 8 ohms
 Two 4 ohms speakers = 4 ohms
 Four 8 ohms speakers = 4 ohms
 Four 4 ohms speakers = 2 ohms (this will cause the system to shut down into protection mode)
- 3 MONO Pre-Out Jack**
 Connect with the input jack of a monitor speaker, etc., incorporating a built-in amplifier.
- 4 VIDEO Output Jacks**
 Connect with the video input of the TV monitor.
- 5 AUX Video Input Jack**
 Connect the video output jack of an external video player to this jack.
- 6 DVD/CD-G Video Input Jack**
 Connect the video output jack of the DVD or CD-G player to this jack.
- 7 BGV (Background Video) Input Jack**
 Connect the video output jack of the background video player, Cable Box, Video camera, etc., to this jack.
- 8 MICROPHONE B Input Jacks**
 Connect to the output jack of the wireless microphone receiver. The volume of this jack is controlled by mic volume control 2/B.
- 9 DVD/CD-G Audio Input Jacks**
 Connect the audio output jacks of the DVD or CD-G player to these jacks.
- 10 AUX Audio Input Jacks**
 Connect the audio output jacks of the Player to these jacks.
- 11 TAPE Input Jacks**
 Connect the output jacks from the TAPE deck to these jacks.
- 12 TAPE Output/MUSIC BYPASS Jacks**
 Connect the input jacks from the TAPE deck to these jacks.
- 13 BGM (Background Music) Input Jacks**
 Connect the audio output jack of the background source (LD player, Cable box) to these jacks.
- 14 PRE-OUT Jacks**
 Connect the input jacks of the extension Power amplifier or the Mixer to these jacks.
- 15 BGM (Background Music) Input Level Control**
 Adjust this control to optimize the BGM input level. Note that the BGM level cannot be varied by the MUSIC VOL control on the front panel. *The BGM input level is CENTER at the shipping.
- 16 GROUND Terminal**
 The grounding wire shall be connected to a grounding line to reduce the risk of electric shock.
- 17 REMOTE Input Jack**
 This jack inputs the external remote control signal.
- 18 REAR Mic Jacks (1/A/2)**
 Use these jacks to connect to microphones, rear mic jack 1 and rear mic jack A are both controlled by mic volume control 1/A located in the front panel, rear mic jack 2 is controlled by mic volume control 2 located in the front panel.
- 19 MIC Out (Mono)**
 Outputs the microphone signal without mixing to the music, use this jack to connect to an optional mixer or vocal monitor.
- 20 MIC Effect Input**
 Use these jacks to connect to an optional vocal effector.
- 21 MIC Effect Switch**
 Switch to internal for the built in echo effect or switch to exit for the optional outboard vocal effector.

CONNECTIONS:



WARNING: DO NOT HOOK UP MORE THAN ONE SPEAKER PER SPEAKER JACK.

SPECIFICATIONS:

Amplifier:

Maximum Output	300W + 300W at 4Ω	
Continuous Output	150W + 150W at 4Ω	
Total Harmonic Distortion (1 kHz, -3dB, 8 ohm)	0.04%	
Input Jacks (Sensitivity/Impedance)		
MIC	3 mV/10-kohm	
CD, TAPE, AUX	250mV/22-kohm	
BGM (Continuous)	250mV/22-kohm	
Output Jacks (Output level/Output Impedance)		
PRE-Output	1.8 V/1-kohm	
RECORD Output	250mV/1-kohm	
Frequency Responses		
MIC	20 Hz to 15 kHz, +0/-3 dB	
MUSIC	20 Hz to 40 kHz, +0/-3 dB	
Tone Control Characteristics		
Music	BASS	±10 dB (100 Hz)
	TREBLE.....	±10 dB (10 kHz)
Microphone	BASS	±10 dB (100 Hz)
	TREBLE	±10 dB (10 kHz)
Speaker Output Terminals	4-ohm to 16-ohm	
Key Control Range	14 steps, 1/2 tones	
Video Input Jack (Sensitivity/Input impedance).....	1 Vp-p/75-ohm	
Video Output Jack (Output level/Output impedance).....	1 Vp-p/ 75-ohm	

Power Supply, etc.

Supply Voltage	AC 115 V (110-120 V)/ 230 V (220 -240 V) 50/60 Hz
Power Consumption	230 W
AC Power Outlets	
UNSWITCHED (300 W max)	2
Dimensions (W x H x D)	17"x14 1/2"x5"
Weight	25 Lbs.

Accessories

Owner's Manual	1
Warranty Card.....	1
Remote control unit	1
Batteries (SUM-3)	2



WWW.VOCOPRO.COM

VOCOPro

ULTIMATE CHOICE OF KARAOKE ENTERTAINMENT

Free Manuals Download Website

<http://myh66.com>

<http://usermanuals.us>

<http://www.somanuals.com>

<http://www.4manuals.cc>

<http://www.manual-lib.com>

<http://www.404manual.com>

<http://www.luxmanual.com>

<http://aubethermostatmanual.com>

Golf course search by state

<http://golfingnear.com>

Email search by domain

<http://emailbydomain.com>

Auto manuals search

<http://auto.somanuals.com>

TV manuals search

<http://tv.somanuals.com>