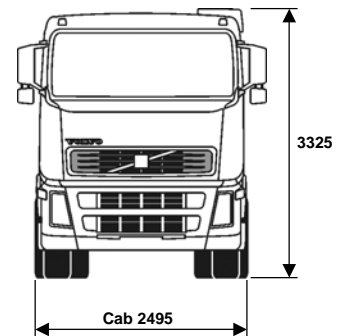
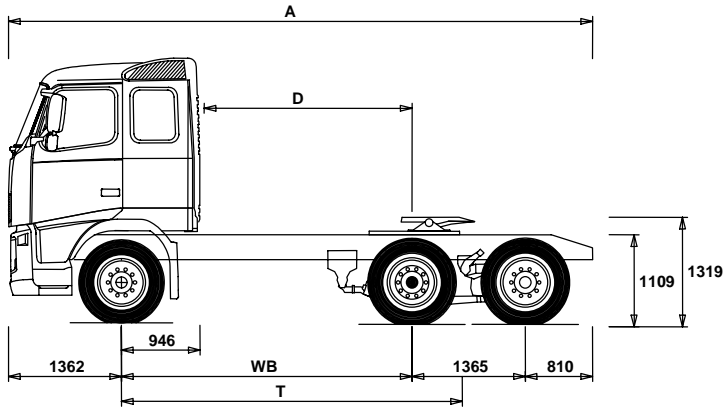


FH 6X2

FH 390-520 HP 6x2 High tractor A-ride

Model Code: FH 62T B3HJ



Chassis Dimensions [mm]

WB Wheelbase	3400
A Overall Chassis Length	6937
D Centre of rear axle to back of cab	2404
T Theoretical Wheelbase	4006

Chassis Weights [kg]

Front Axle	4895
Rear Bogie	3570
Kerb Weight	8465

Turning Diameter [mm]

Turning Circle Diameter Kerb to Kerb	14000
Turning Circle Diameter Wall to Wall	15700

Plated Weights [kg]

	Design
Gross Vehicle Weight	27000
Gross Combination Weight	56000
Front Axle	8000
Rear Bogie	19000

Important Notes

Chassis Dimensions

Cab Height: -115 mm for L1EH1, +404 mm for L2H2, +542 mm for L2H3.
Front Axle to Back of Cab: -436 mm for L1EH1.
D-measure includes a front clearance of 50 mm and for rigid trucks also a subframe of 100 mm.
Height can vary ± 20 mm for leaf and ± 10 mm for air suspension.
All dimensions are for unladen chassis and any tag axles down.

Weight and dimensions are based upon the following tyres:

Front Axle Tyres:	315/80R22.5
Drive Axle Tyres:	315/80R22.5
Trailing/Pusher Axle Tyres:	315/80R22.5

Chassis weight includes oil, water, 70 litres fuel and without driver. Kerb weight can vary $\pm 1.5\%$.

Turning diameters are theoretically calculated.

Legal weights can differ from country to country.

For more detailed weight information, including optional equipment weights, ask your Volvo sales contact to enter your specification into the Volvo Weight Information system (WIS).

Do NOT use this drawing for bodybuilding. Refer to Volvo Bodybuilder Instructions and chassis assembly drawing 3199940.

VOLVO

Core components

- **CHH-STD** Approximate chassis height 1.050 - 1.150 mm
- **L2H1** Sleeper cab
- **L2H2** Sleeper cab with high roof, Globetrotter
- **EU3** Euro 3 Engine emission control.
- **D13A400** Diesel engine, 13 litre, 400 hp, 2000 Nm, version A.
- **D13A440** Diesel engine, 13 litre, 440 hp, 2200 Nm, version A.
- **D13A480** Diesel engine, 13 litre, 480 hp, 2400 Nm, version A.
- **D13A520** Diesel engine, 13 litre, 520 hp, 2500 Nm, version A.
- **CCV-C** Closed crankcase ventilation.
- **EBR-EPG** Engine brake, exhaust pressure governor
- **EBR-VEB** Engine brake, Volvo Engine Brake (incl. exhaust pressure governor)
- **V2214** Manual split range gearbox 2400 Nm, 14 speed
- **V2514** Manual split range gearbox 2450 Nm, 14 speed
- **CD40B-O** Double disc clutch, diameter 394 mm
- **CS43B-OR** Single disc clutch, diameter 430 mm, reinforced; version B
- **FAL7.1** Front axle load 7.1 tonnes
- **FAL8.0** Front axle load 8.0 tonnes
- **FST-PAR** Front leaf suspension, parabolic spring
- **FSTAB** Front stabilizer, normal stiffness
- **FSTAB2** Front stabilizer, medium high stiffness
- **RADT-AR** Rear leaf suspension (6x2 and 8x2), A-ride.
- **RS1356SV** Rear single axle, single reduction, axle load 13 tonnes, GCW 56 tonnes.
- **RS1370HV** Rear single axle, hub reduction, axle load 13 tonnes, GCW 70 tonnes
- **RAL19** Bogie load 19 tonnes
- **RST-PAR1** Rear leaf suspension, parabolic spring
- **TAG-FIXD** Fixed tag axle dual tyres
- **TRAL-STD** Tag axle bogie load share, standard, axle load distribution 56% and 44%.

Truck use

- **RC-ROUGH** Rough road conditions.
- **TC-CONST** Construction transport cycle.
- **TC-DISTR** Distribution transport cycle.
- **TC-LONGD** Long transport cycle.
- **STWPOS-L** Left hand drive

Chassis

- **BRAKE-ZV** Volvo Z-cam brakes
- **ABS-WHL** ABS, Anti-lock brake system
- **FRAME77** Frame section thickness 7 mm
- **FIL-TXEB** Innerliner from transmission member to bogie end.
- **FRAMEHIG** Frame rail section height, 300 mm
- **BBOX-L** Battery box on left hand side
- **2BATT170** Batteries 2x170 Ah
- **R330A71** Right aluminium 710 mm D-shaped fuel tank, 330 litres volume
Min volume 285l
Max volume 690l
- **UL-FUEL** Without left fuel tank
Min volume 210l
Max volume 210l
- **ESH-LEFT** Muffler horizontal, left exhaust outlet
- **ESH-VERT** Muffler horizontal, vertical exhaust outlet on right hand side
- **ESV-VERT** Muffler vertical, vertical exhaust outlet on right hand side
- **SWCP-LB** Spare wheel carrier, on left hand side partly under battery box
- **SWCP-LF** Spare wheel carrier, on left hand side in front of rear axle

- **SWCP-RF** Spare wheel carrier, on right hand side in front of rear axle
- **SWCP-T** Spare wheel supplied temporarily strapped to chassis
- **SWCP-TP** Temporarily spare wheel carrier on top of chassis frame
- **WHC-TRP2** Two transport mounted wheel chocks
- **WHCHOCK2** Two wheel chocks
- **SUP-BAS** Standard side underrun protection
- **TOWR-ONE** One rear towing device
- **RFEND-B** Rear fenders, basic (3 piece fender with anti-spray function)

Rims and Tyres

- **WT-ST** Steel rims
- **SPWT-F** Spare wheel&tyre equal to front wheel
- **WCAP** Wheel caps

Powertrain equipment

- **1COMP530** Air compressor, 530 litres per minute
- **2COM1080** Air compressor, 1080 litres per minute
- **2COMP900** Air compressor, 900 litres/minute
- **AIRIN-HI** High air intake
- **ACL1ST-S** Air cleaner with additional filter element
- **24AL120B** High capacity alternator, 120 Ampere.
- **24ALT-HB** High capacity alternator, Alternator 80A (D12/D13/16) / 90A (D9).
- **24ALT-XB** High capacity alternator, 110 Ampere.
- **COOLC48** Cooling capacity 48° C, ATB
- **TC-MAOH2** Oil cooler/mechanical transmission, air/oil, extra high performance
- **TC-MWO** Oil cooler for mechanical transmissions, basic performance, without retarder – water/oil
- **TC-MWOH2** Oil cooler/mechanical transmission, water/oil, high performance
- **AF-E** Auxiliary fuel filter, electrically heated
- **EST-AID** Engine start pre heating element
- **PTER-DIN** Power Take Off / splined shaft groove (female) DIN5462.
- **PTER1400** Rear engine mounted power-take-off with flange SAE 1410
- **PTR-D** DIN connection PTO, low speed, manual gearbox
- **PTR-DH** DIN connection PTO, high speed, manual gearbox
- **PTR-DM** DIN connection PTO, medium speed, manual gearbox
- **PTR-FH** Flange connection PTO, high speed, manual gearbox
- **PTR-FL** Flange connection PTO, low speed, manual gearbox

Cab exterior

- **BUMP-P** Front plastic bumper without spoiler
- **BUMP-S** Front steel bumper.
- **BUMP-SC** Front steel bumper, construction applications.
- **BUMP-SP** Front bumper spoiler

Superstructure preparations

- **5WM-ASM** 5th wheel mounting, air slider, medium L-profiles
- **5WM-ISOM** Fifth wheel ISO mounting, medium L-profiles (t=8 mm) for 10 mm ISO tie plate.
L-profile height above frame = 50 mm.
Total height above frame 60 mm.
- **5WH150** Fifth wheel leg-height 150 mm
- **5WH185** Fifth wheel leg-height 185 mm
- **5WH205** Fifth wheel leg-height 205 mm.
- **5WT-GF** George Fischer SK-S 36.20 V cast fifth wheel
- **5WT-JO** Jost cast fixed fifth wheel.
Type JSK 37C for 5WM-ISOL/5WM-ISOM/5WM-ISOH, LUB-CENT.
Type JSK 37E for 5WM-LPRO, LUB-CENT.
Type JSK 42K for all fifth wheel mountings with ULUBCENT.
- **5WT-JOS** Jost JSK 36D pressed sliding fifth wheel
- **RAMP-MED** Ramp sliding member, medium height
- **RDECK** Rear deck, basic

- Standard Equipment
- Optional Equipment

For more detailed information about cab and powertrain equipment, please refer to separate specification sheets.

For all possible options and combinations of options please consult your Volvo sales contact who can create a specification to match your requirements using the Volvo Sales Support system (VSS).

The factory reserves the right to modify design and change equipment without previous notification. The specification can vary from country to country.

Ref: FH 62T B3HJ 01 IRN2 2006-03-17 ENGVT

VOLVO

Volvo Truck Corp
S-40508 Göteborg, Sweden
www.volvo.com

FH 6X2

FH 390-520 HP 6x2 High tractor A-ride

Model Code: FH 62T B3HJ

- WL-TA1W** Working lamp trailer arch, 1 lamp white
- TBC-EC** European Community trailer brake connection
- TTRCON15** Trailer cable connections for ADR
- TTRCON7** Trailer cable connections, UADR
- TTRCON77** Trailer cable, two connections, UADR
- TRBR-HCR** Hand controlled trailer brake, reduced pressure

Standard Equipment

Optional Equipment

For more detailed information about cab and powertrain equipment, please refer to separate specification sheets.

For all possible options and combinations of options please consult your Volvo sales contact who can create a specification to match your requirements using the Volvo Sales Support system (VSS).

The factory reserves the right to modify design and change equipment without previous notification. The specification can vary from country to country.

Ref: FH 62T B3HJ 01 IRN2 2006-03-17 ENGV1

VOLVO

Volvo Truck Corp
S-40508 Göteborg, Sweden
www.volvo.com

Free Manuals Download Website

<http://myh66.com>

<http://usermanuals.us>

<http://www.somanuals.com>

<http://www.4manuals.cc>

<http://www.manual-lib.com>

<http://www.404manual.com>

<http://www.luxmanual.com>

<http://aubethermostatmanual.com>

Golf course search by state

<http://golfingnear.com>

Email search by domain

<http://emailbydomain.com>

Auto manuals search

<http://auto.somanuals.com>

TV manuals search

<http://tv.somanuals.com>