



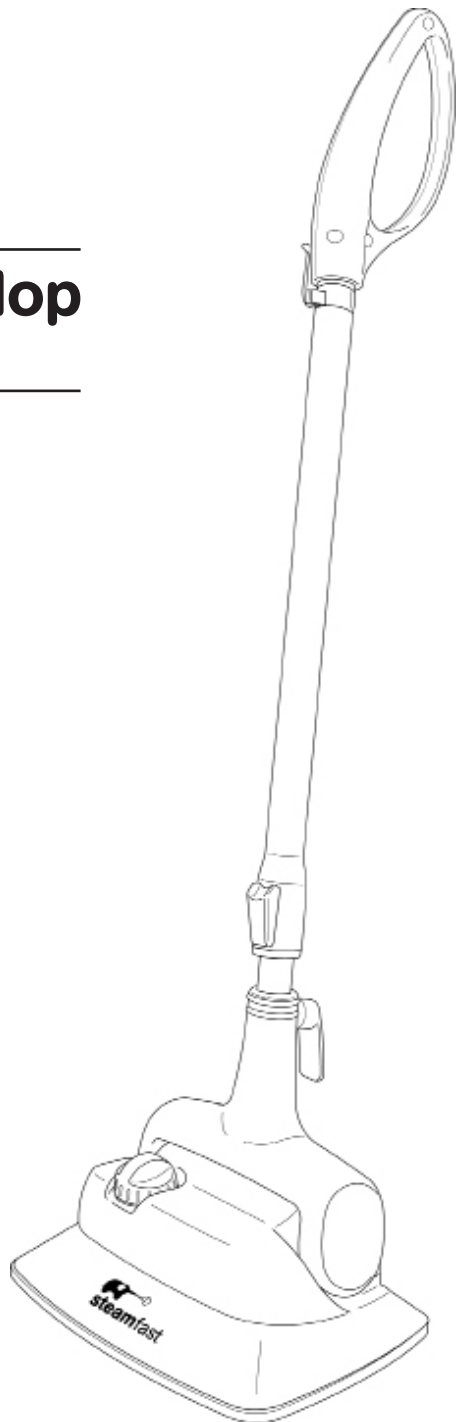
steamfast

powerful. natural. intelligent.™

Everyday Steam Mop

MODEL SF-140

User's Guide



Please read all instructions before use.

KEEP YOUR RECEIPT FOR WARRANTY PURPOSES.

Download from www.somanuals.com. All Manuals Search And Download.

IMPORTANT SAFETY INSTRUCTIONS



WARNING: To reduce risk of fire, electrical shock or injury, the following basic safety precautions should always be followed when using an electrical appliance.

WARNING: To reduce the risk of electrical shock, this appliance uses a polarized electrical plug with one prong that is larger than the other. This plug will fit into a wall outlet only one way. If the plug does not correctly fit in the outlet, contact a licensed electrician to install a proper outlet. **DO NOT** attempt to modify the plug or defeat this safety feature.

READ ALL INSTRUCTIONS BEFORE USE



DANGER

Any appliance is electrically live even when switched off. To reduce risk of electrical shock:

1. Always unplug power cord immediately after using.
2. Do not place or store unit where it can fall or be pulled into a sink or tub.
3. Do not place in, or drop into water or other liquid.
4. If unit falls into water, immediately unplug power cord. Do not reach into the water.



WARNING

To reduce risk of burns, electrocution, fire, or injury to persons:

1. Use Everyday Steam Mop only for its intended purpose as indicated in this manual.
2. If an extension cord is necessary, use a properly rated cord (15 ampere, 14 gauge). Use care to position extension cord where it is least likely to be damaged or tripped over during use.
3. Before plugging power cord into electrical outlet, be sure that all electrical information on rating label agrees with your power supply.
4. To reduce likelihood of circuit overload, **DO NOT** operate another high wattage appliance on the same circuit as this unit.
5. To protect against risk of electrical shock, do not immerse unit in water or other liquids. Do not use power cord as handle, let it hang over edges of counters, or be crimped or closed in doors.
6. Never yank power cord to disconnect from outlet; instead, grasp plug and pull to disconnect.
7. Do not operate unit with a damaged power cord or if the unit has been dropped or damaged.
To avoid risk of electrical shock, do not disassemble unit; contact Steamfast Consumer Service for examination and repair. Incorrect reassembly can cause a risk of electrical shock when unit is used.
8. Close supervision is required for any appliance being used near children, pets and plants. Do not leave unit unattended while plugged in.
9. This unit is not intended for use by persons (including children) with reduced physical, sensory or mental capabilities, or lack of experience and knowledge, unless they have been given supervision or instruction concerning use of the unit by a person responsible for their safety.

-
10. Do not use unit where aerosol-based products are being used, or where oxygen is being administered.
 11. Unit is only meant to be used with recommended Everyday Steam Mop (model SF-140) accessories. Using other types of attachments may cause damage to unit or injury.
 12. If red Power Indicator Light does not illuminate when unit is plugged in and On/Off Switch is pressed, unit is not operating normally. Immediately disconnect cord from power supply, then refer to troubleshooting guide on Page 12 of this manual for assistance.
 13. Always turn unit off and unplug power cord before filling Boiler with water. Do not attempt to use unit without properly filling Boiler.
 14. When filling Boiler, only water should be used in unit – other cleaning agents could damage unit or cause injury. Distilled or de-mineralized water is highly recommended, in order to minimize potential build-up of mineral deposits. Do not overfill unit.
 15. To reduce risk of contact with hot water emitting from Steam Nozzles, check appliance before each use by positioning it away from body and turning it on. Do not operate unit if Steam Nozzles are blocked.
 16. Burns can occur from touching hot metal parts, hot water, or steam. Do not touch bottom of Mop Head or attempt to attach a Microfiber Pad by hand while unit is in use. Use caution when you turn unit upside-down – there may be hot water in Boiler.
 17. Use caution when using unit on uneven surfaces, such as stairs.
 18. When steaming any surface for the first time, it is recommended that you consult the manufacturer's guidelines for material being steamed. For items in question, test on an inconspicuous area before proceeding.
 19. Steaming unsealed hardwood or unglazed ceramic surfaces is not recommended, and may result in warping or damage to the surface. Steam may remove the sheen from surfaces treated with wax.
 20. When steam mopping, never leave unit resting in one spot on any surface for any period of time – prolonged exposure to heat and moisture may damage floor surfaces.
 21. Do not allow power cord to touch hot surfaces during use. Wrap cord loosely around Cord Brackets when storing.
 22. Always allow Everyday Steam Mop to cool (at least 30 minutes for complete cooling) and empty Boiler before storing. Do not store unit with a damp Microfiber Pad still attached.

SAVE THESE INSTRUCTIONS!

FOR HOUSEHOLD USE ONLY

Questions or comments?

- www.steamfast.com
- consumerservice@steamfast.com
- 1-800-711-6617

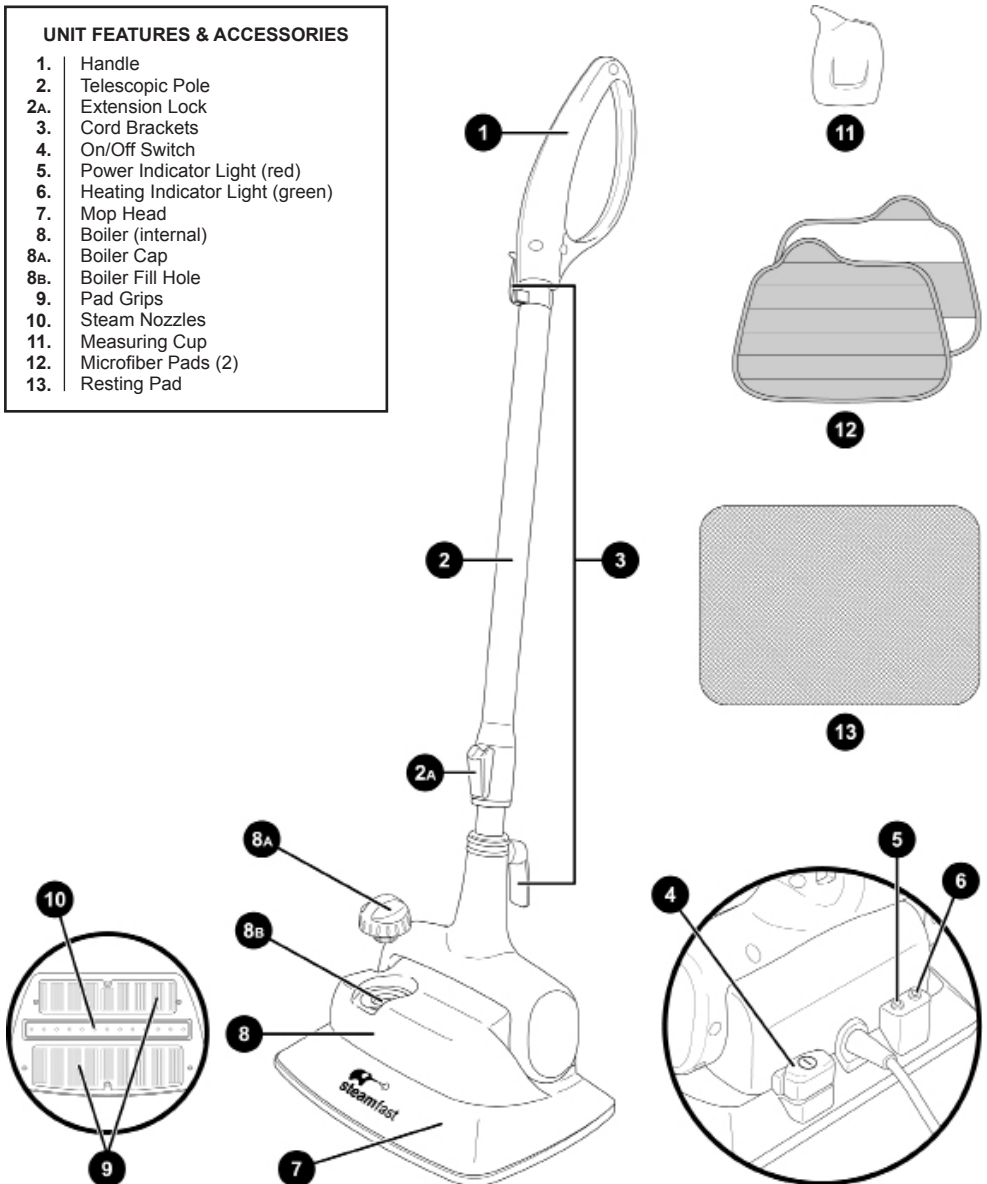
Speak your mind! You are invited to review this product online:
www.steamfast.com/reviews



The following features and accessories are included with your Everyday Steam Mop. Carefully inspect the packing material for all parts listed below. To obtain possible missing parts, refer to **Product Support** on Pages 13 & 14 of this manual.

UNIT FEATURES & ACCESSORIES

1. Handle
2. Telescopic Pole
- 2A. Extension Lock
3. Cord Brackets
4. On/Off Switch
5. Power Indicator Light (red)
6. Heating Indicator Light (green)
7. Mop Head
8. Boiler (internal)
- 8A. Boiler Cap
- 8B. Boiler Fill Hole
9. Pad Grips
10. Steam Nozzles
11. Measuring Cup
12. Microfiber Pads (2)
13. Resting Pad



-
- The *Handle* (1) connects to the top of the *Telescopic Pole*, and is designed for maximum grip and comfort.
 - The *Telescopic Pole* (2) connects the *Mop Head* to the *Handle*, and can be extended and retracted for comfortable use and convenient storage.
 - The *Extension Lock* (2A) is used to adjust the length of the *Telescopic Pole*.
 - The *Cord Brackets* (3) provide a convenient way to neatly wrap the power cord for storage.
 - The *On/Off Switch* (4), located on the back side of the *Mop Head*, is the foot-operated button that activates and deactivates the unit. The *On/Off Switch* is pressed to turn the unit on (the red *Power Indicator Light* will illuminate), then pressed again to turn the unit off (the red *Power Indicator Light* will turn off).
 - The red *Power Indicator Light* (5) illuminates whenever the power cord is plugged into an electrical outlet and the *On/Off Switch* is pressed, to indicate that unit is receiving power.
 - The green *Heating Indicator Light* (6) illuminates while the *Boiler* is actively heating water. When the *Boiler* is empty, the *Light* will turn off.
 - The *Mop Head* (7) is the unit's main body, housing the *Boiler* and producing steam through the *Steam Nozzles*.
 - The *Boiler* (8) is the internal reservoir where water is held and converted into steam. For optimal steam production, the *Boiler* should be filled with no more than 10 oz. (300 ml.) of water.
 - The *Boiler Cap* (8A) is designed to safely contain steam inside the *Boiler*, while providing easy access to the *Boiler Fill Hole*. The *Boiler Cap* must be unscrewed and removed in order to fill the *Boiler* with water.
 - The *Boiler Fill Hole* (8B) is the opening through which water is poured into the *Boiler*. The *Boiler Cap* must be removed in order to access the *Boiler Fill Hole*.
 - The *Pad Grips* (9), located on the bottom of the *Mop Head*, are designed to adhere to fastener strips on the *Microfiber Pads*.
 - The *Steam Nozzles* (10), located on the bottom of the *Mop Head*, evenly disperse the flow of steam produced by the *Boiler*.
 - The *Measuring Cup* (11) provides an easy and convenient way to consistently fill the *Boiler* with the optimum amount of water (10 oz. / 300 ml.).
 - The *Microfiber Pads* (12) each attach to the *Pad Grips* on the bottom of the *Mop Head*. The *Pads* are designed to clean scuffs and stains from hard floors. The *Microfiber Pads* are reusable and machine washable. Two *Microfiber Pads* are included.
 - The *Resting Pad* (13) serves as a base for the unit, providing a convenient place for it to rest as the *Boiler* heats and cools without risk of damage to delicate floor surfaces. The *Resting Pad* has a smooth side and a textured side – the textured side is designed to capture excess moisture and should face upward, so that *Mop Head* rests on top of it.

TELESCOPIC POLE

1. Connect Handle to upper (thicker) end of Telescopic Pole. To do this, simply slide Handle onto pole until it snaps in place (FIGURE 1-A).

NOTE: Once connected, the Handle is not designed to be removed from the Telescopic Pole. If it becomes necessary to remove it, contact Consumer Service for assistance (Page 13).

2. Insert lower (thinner) end of Telescopic Pole into yoke on top of Mop Head. When inserting, make sure release button located on pole faces towards back side of yoke as illustrated (FIGURE 1-B).
3. Press Telescopic Pole into yoke until release button snaps through small hole on back side of yoke (FIGURE 1-C). Telescopic Pole should now be secured to Mop Head.

NOTE: In order to coax the release button through the hole, it may be necessary to rotate and adjust the Telescopic Pole until button aligns properly with hole.

4. To adjust length of Telescopic Pole, press Extension Lock downward. While holding lock down, move the upper section of pole until it is at the desired length (FIGURE 1-D). Release lock, then adjust upper section of pole again until it "clicks" securely into place.
5. To disconnect Telescopic Pole, swivel lower Cord Bracket 180° upward, then press firmly on release button while simultaneously pulling pole away from Mop Head yoke (FIGURE 1-E).

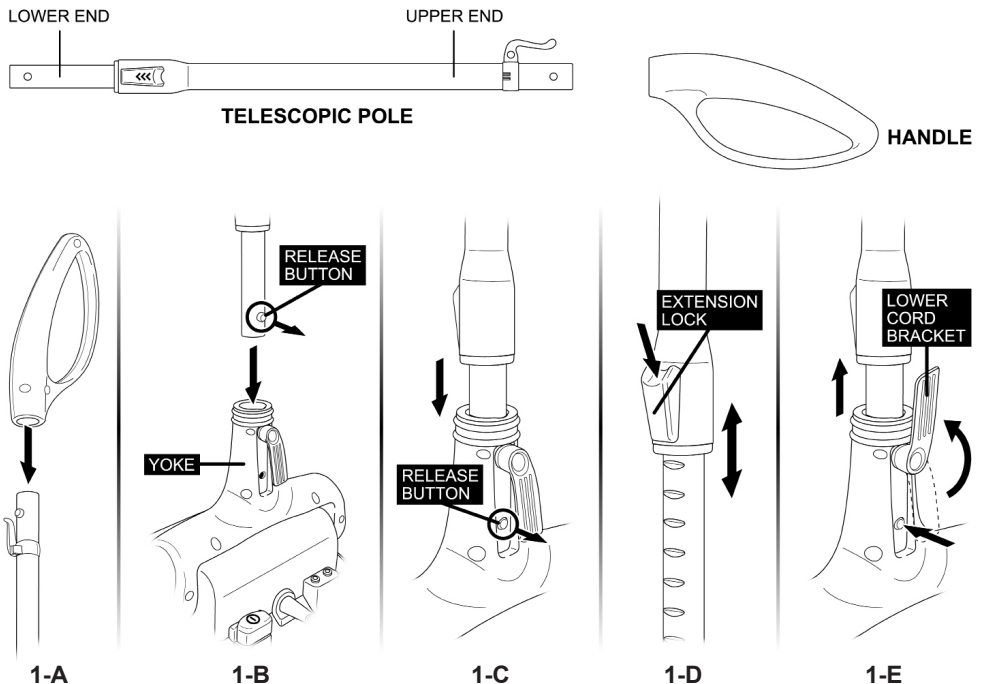


FIGURE 1

MICROFIBER PADS

1. Lay one Microfiber Pad on flat surface, with fastener strips facing upward.
2. Align Mop Head above Microfiber Pad. Make sure Mop Head is oriented with pad as shown, and centered as best as possible (FIGURE 2-A).
3. Press Mop Head firmly down onto Microfiber Pad. Fastener strips will adhere to Pad Grips on underside of Mop Head. Pad should now be attached and ready for use (FIGURE 2-B).
4. To remove, use your foot to press down on Microfiber Pad release tab while simultaneously pulling Mop Head up off of pad.

CAUTION: Use care when handling a recently used Microfiber Pad, as it may still be hot.

NOTE: Microfiber Pads are machine washable. To avoid picking up lint, washing separately from other fabrics is recommended. Only use liquid detergent. Avoid using any fabric softeners or bleach. Air drying is recommended; machine drying on a low setting is acceptable as well.

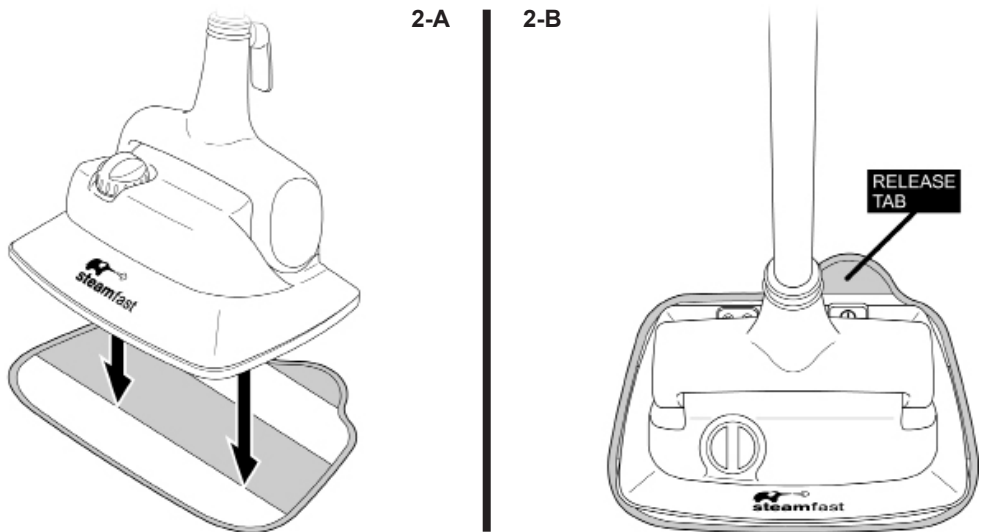


FIGURE 2

ADDING WATER

1. Make sure On/Off Switch is set to “off” position (red Power Indicator Light will not be illuminated) and power cord is unplugged.
2. Carefully remove Boiler Cap by unscrewing it in a counter-clockwise direction (FIGURE 3-A).
3. If Boiler was not emptied completely after last use, empty all remaining water now to prevent overfilling.
4. Fill included Measuring Cup with 8.5 oz. (250 ml.) water, and pour into Boiler through Boiler Fill Hole (FIGURE 3-B).

NOTE: In order to minimize potential mineral build-up and prolong the life of your Everyday Steam Mop, it is recommended that distilled or de-mineralized water be used in the Boiler.

If distilled water is not available, then Boiler should be cleaned frequently in order to remove mineral build-up. Refer to Mineral Build-Up section on Page 11 for details.

5. For maximum usable water (10 oz. / 300 ml.), fill Measuring Cup with another 1.5 oz. (50 ml.) of water, and add into Boiler.
6. Replace Boiler Cap by screwing it into Boiler Fill Hole in a clockwise direction until tight (FIGURE 3-C). Unit is now ready to begin steaming – refer to Page 9 for operating instructions.

REFILLING



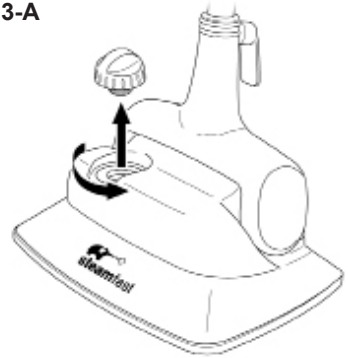
If unit has been in use, always take the following safety precaution before removing the Boiler cap and adding water:

- Allow unit to cool for 5-10 minutes. This will reduce heat and pressure inside the Boiler, helping to prevent escaping steam when the Boiler Cap is removed as well as vaporization when more water is added.

Once this is done, follow Adding Water procedure above as usual.

WARNING: Failure to follow this precaution may result in burns from escaping steam when the Boiler cap is removed or when water is poured into the Boiler.

3-A



3-B



3-C

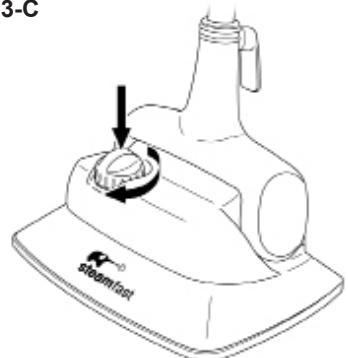


FIGURE 3

STEAM MOPPING

Before operating, make sure Microfiber Pad is properly attached (Page 7) and Boiler is filled with water (Page 8).

1. For first-time use, remove protective plastic cover that is shipped on electrical plug. Plug power cord into a convenient electrical outlet.
2. Place Resting Pad on floor, so that textured side faces upward. Rest Mop Head on top of pad, in order to help protect floor surface from excess heat and moisture during heat-up period.
3. Using your foot, gently press down on On/Off Switch until it clicks. Red Power Indicator Light will illuminate to show that unit is receiving power. At the same time, green Heating Indicator Light will illuminate to show that Boiler is heating.
4. After approximately 3 minutes of heating time, unit will begin emitting steam.
5. Remove unit from Resting Pad, and begin mopping.

Refer to Page 10 for a listing of floor surfaces that are recommended for cleaning with your Everyday Steam Mop.

6. For best results, mop using a steady back-and-forth motion over the floor, working your way backwards in order to avoid walking over the freshly mopped area.

IMPORTANT: To avoid warping or damage caused by heat and moisture, do not use on unsealed hardwood or unglazed ceramic surfaces. Steam may remove the sheen from some floors that have been treated with wax.

Never allow Everyday Steam Mop to rest idle on floor surfaces while still on – prolonged exposure to steam in a single area may discolor or damage some floors. If it becomes necessary to stop mopping at any time, always turn unit off and place back on Resting Pad.

7. Once all water has been used, green Heating Indicator Light will turn off to show that Boiler is empty. If you wish to continue mopping, first turn unit off by pressing down gently on On/Off Switch until it clicks, then unplug power cord from outlet. Refer to **Refilling** procedure on Page 8 to refill Boiler.
8. The Microfiber Pad will absorb dirt and moisture during mopping. However, when you are finished you may find some residual moisture has been left behind. In this case, it is recommended to allow floor time to air-dry. A fan may be directed towards mopped area to facilitate drying.
9. Once your mopping tasks are completed, place unit back on Resting Pad and turn it off by pressing down gently on On/Off Switch until it clicks. Unplug power cord from outlet, then refer to procedures on Page 11 for proper storage and care of your Everyday Steam Mop.



RECOMMENDED FLOOR SURFACES

Below is a listing of some of the most common floor surfaces that the Everyday Steam Mop is ideal for cleaning. If you have a question about a floor surface that isn't listed below, please contact our Consumer Service Department:

consumerservice@steamfast.com or 1-800-711-6617.

The Everyday Steam Mop is perfect for these floor surfaces:

- Sealed Hardwood
- Stained Concrete
- Sealed Laminate
- Linoleum
- Ceramic
- Granite
- Marble
- Slate
- Vinyl

IMPORTANT: Do not use on unsealed hardwood or unglazed ceramic surfaces. Surfaces that are not properly sealed may be warped or damaged by exposure to heat and moisture.

Care should also be taken when steaming sealed hardwood floors, as prolonged exposure to steam in a single spot may cause damage and discoloration. To avoid this, keep the Everyday Steam Mop in constant motion on these surfaces, and place it back on Resting Pad when idle.

Steam may remove the sheen from some floors that have been treated with wax.

Extremely rough textured floors may tear or damage Microfiber Pads.



PROPER STORAGE

Preparing your Everyday Steam Mop for storage is quick and simple. When you have finished your mopping tasks, follow the steps listed below.

1. Gently press down on On/Off Switch until it clicks – red Power Indicator Light will turn off. Unplug power cord from electrical outlet.
2. Place Mop Head on top of Resting Pad, and allow unit to cool (at least 30 minutes for complete cooling).
3. For convenience it is recommended to disconnect Telescopic Pole, and if attached, remove Microfiber Pad from Mop Head. If pad is dirty you may wash it, either by hand or in a washing machine. Allow to air-dry.
4. Unscrew and remove Boiler Cap. Drain any water remaining in Boiler into a sink or tub, to minimize potential mineral build-up and prevent overfilling during next use. Replace Boiler Cap (do not fully tighten).
5. Reconnect Telescopic Pole. If desired, collapse Telescopic Pole to its shortest length (ideal for limited storage space). Refer to Page 6 for details.
6. Wrap power cord around Cord Brackets.
7. Store Everyday Steam Mop in a cool, dry location, along with all included accessories.

MINERAL BUILD-UP

A common maintenance need for steam appliances is the removal of build-up caused by high mineral content in many municipal water supplies. This mineral build-up may limit the effectiveness and reduce the life of your Everyday Steam Mop.

The best way to minimize mineral build-up is to use distilled or de-mineralized water when using your Everyday Steam Mop. In addition, it is recommended that the Boiler be cleaned at least once a month in order to remove any deposits that form. This will help to extend the life of your Everyday Steam Mop and keep it functioning at its maximum potential.

To remove mineral build-up:

1. Gently press down on On/Off Switch until it clicks – red Power Indicator Light will turn off. Unplug power cord from electrical outlet.

IMPORTANT: Unit should remain off and unplugged during cleaning procedure.

2. Place Mop Head on top of Resting Pad, and allow unit to cool (at least 30 minutes for complete cooling).
3. For convenience it is recommended to disconnect Telescopic Pole, and if attached, remove Microfiber Pad from Mop Head. Leaving them off during cleaning will make the process easier.
4. Remove Boiler Cap and drain any water remaining in Boiler into a sink or tub.
5. Fill Measuring Cup with vinegar.
6. Pour vinegar into Boiler through Boiler Fill Hole.
7. Allow vinegar to soak in boiler for 30-40 minutes.
8. Drain vinegar from Boiler into a sink or tub. Refill Boiler with fresh water, drain and repeat until vinegar odor dissipates.
9. Replace Boiler Cap (do not fully tighten), reconnect Telescopic Pole and store your Everyday Steam Mop as usual.



PROBLEM	POSSIBLE CAUSE	SOLUTION
Unit fails to heat up. Red Power Indicator Light DOES NOT illuminate.	Unit is not plugged in.	Plug power cord into electrical outlet.
	Unit's main power is not on.	Press On/Off Switch until it <i>clicks</i> .
	Household circuit breaker / ground fault interrupter has tripped or blown a fuse.	Reset circuit breaker / ground fault interrupter, or replace fuse. For assistance, contact a licensed electrician.
	Unit is damaged or otherwise in need of repair.	Immediately cease usage and unplug. Contact Consumer Service for assistance (see Page 13 for details).
Unit fails to heat up. Red Power Indicator Light DOES illuminate; green Heating Indicator Light DOES NOT illuminate.	No water in Boiler.	Refer to Adding Water procedure on Page 8 to fill Boiler.
Unit heats up, but fails to steam. Both red Power Indicator Light and green Heating Indicator Light DO illuminate. NOTE: Always allow sufficient time for unit to heat up and begin producing steam.	Mineral build-up in unit.	Refer to Mineral Build-up section on Page 11 for cleaning procedure.
	Unit is damaged or otherwise in need of repair.	Immediately cease usage and unplug. Contact Consumer Service for assistance (see Page 13 for details).
Steam output is weak or intermittent.	Water level in Boiler is running low.	Refer to Refilling procedure on Page 8 to refill Boiler.
	Mineral build-up in unit.	Refer to Mineral Build-up section on Page 11 for cleaning procedure.
Excessive moisture left on floor during mopping. NOTE: It is normal for some amount of moisture to be left behind. Allow floor some time to air-dry once mopping is complete.	Microfiber Pad has become saturated with moisture.	Remove pad and replace with a fresh dry one. To purchase additional Pads, contact Consumer Service (see Page 14 for details).
	Boiler has been overfilled.	Filling Boiler with more than 10 oz. (300 ml.) of water interferes with steam production, resulting in water condensation in steam. Drain some water out of Boiler. Always use included Measuring Cup to fill Boiler with correct amount of water (see Page 8 for details).
Floor surfaces appear cloudy or streaky after steaming.	Microfiber Pad is dirty / oversaturated.	Replace pad with a clean dry one.
	Hard water residue on floor.	Switch to distilled water.



CONSUMER SERVICES

For problems with your Steam Mop, please refer to the troubleshooting guide located on Page 12 of this manual. Additional inquiries should be directed to our consumer support services through our Web site, www.steamfast.com.

If you do not have internet access, you may also contact our Consumer Service Department by telephone, at **1-800-711-6617**.

NOTE: In order for our Consumer Service representatives to help you as quickly and efficiently as possible, please have the following information ready before calling:

- Purchase information (where and when you purchased this product)
- Copy of purchase receipt / proof of purchase
- Product serial number (located near electrical specification label on back of unit)
- Date code (4-digit number located on electrical specification label on back of unit)

For information regarding your 1 year limited warranty, refer to Page 15 of this manual.

PRODUCT SPECIFICATIONS

MODEL	SF-140
VOLTAGE	120V
WATTAGE	1000W
AMPERAGE	8.3A
WATER CAPACITY	10 OZ. (300 ML.)
HEATING TIME	3 MIN. (APPROXIMATE)
CONTINUOUS STEAM TIME	12 MIN. (APPROXIMATE)
UNIT WEIGHT	3.72 LBS. (1.69 KG.)
UNIT DIMENSIONS	11.5" (29.2 CM.) x 7.1" (18.0 CM.) x 47.1" (119.5 CM.)
POWER CORD LENGTH	18.7' (570.0 CM.)

**ACCESSORIES & PARTS**

When ordering accessories and parts for your Everyday Steam Mop, you may refer to the part numbers below. Replacement parts may be ordered through our Web site:

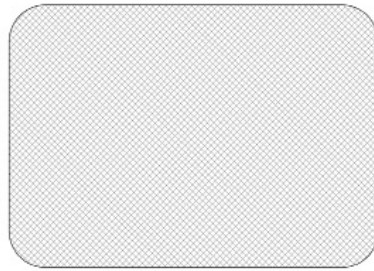
www.steamfast.com

You may also contact Consumer Service directly:

consumerservice@steamfast.com or 1-800-711-6617



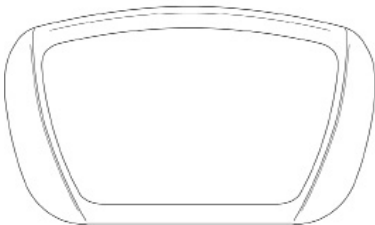
MICROFIBER PADS (2)
A140-000R-



RESTING PAD
A142-003R-



MEASURING CUP
A142-P002R-



CARPET GLIDER (WHITE ONLY)
(OPTIONAL – SOLD SEPARATELY)
A142-P003R-



CLEANFAST HARD FLOOR SOLUTION (32oz)
(OPTIONAL – SOLD SEPARATELY)
CF-014R-

CleanFast is a specially formulated, non-toxic and biodegradable solution that is designed to enhance steam cleaning to eliminate the toughest scuffs and stains. When used on most any hard floor surface during steam mopping, overall cleaning effectiveness is increased beyond what either steam or the Solution is capable of alone.

NOTE: Due to continuing improvements, part numbers listed above may change. For assistance ordering parts, please contact Consumer Service directly.



steamfast

Warranty Information

1 YEAR LIMITED WARRANTY

Steamfast, a division of Vornado Air LLC, ("Steamfast") warrants to the original consumer or purchaser this Steamfast Everyday Steam Mop SF-140 ("Product") is free from defects in material or workmanship for a period of one (1) year from the date of purchase. If any such defect is discovered within the warranty period, Vornado, at its discretion, will repair or replace the Product at no cost if the Product is returned to Steamfast postage-paid. Repairs not covered by the warranty or outside the warranty period will require a fee to cover the cost of materials, handling and shipping.

This warranty does not apply to defects resulting from abuse of the Product, modification, alteration, repair or service of the Product by anyone other than Steamfast, mishandling, improper maintenance, commercial use of the Product, damages which occur in shipment or are attributed to acts of God.

REPAIR OR REPLACEMENT AS PROVIDED UNDER THIS WARRANTY IS THE EXCLUSIVE REMEDY OF THE CONSUMER. STEAMFAST SHALL NOT BE LIABLE FOR ANY INCIDENTAL OR CONSEQUENTIAL DAMAGES FOR BREACH OF ANY EXPRESS OR IMPLIED WARRANTY ON THIS PRODUCT. EXCEPT TO THE EXTENT PROHIBITED BY APPLICABLE LAW, ANY IMPLIED WARRANTY OF MERCHANTABILITY OR FITNESS FOR A PARTICULAR PURPOSE ON THIS PRODUCT IS LIMITED IN DURATION TO THE DURATION OF THIS WARRANTY.

Some states do not allow the exclusion or limitation of incidental or consequential damages, or allow limitations on how long an implied warranty lasts, so the above limitations or exclusions may not apply to you. This warranty gives you specific legal rights, and you may have other rights that vary from state to state.

For warranty or repair service, call 1-800-711-6617 or email consumerservice@steamfast.com to obtain a Return Authorization ("RA") form. Please have or include your Product's model number, date code and serial number, as well as your name, address, city, state, zip code and phone number when contacting Steamfast for warranty service. You may be required to provide the original sales receipt. For your records: Staple or attach your original sales receipt to this Owner's Guide. Please also write your Product's serial number below (located on product specs decal).

Serial No. _____

After receiving the RA form, ship your Product to:

Steamfast
Attn: Warranty & Repair
415 East 13th
Andover, KS 67002

To assure proper handling, packages must be clearly marked with the RA number. Packages not clearly marked with the RA number may be refused at the receiving dock.

Please allow 1-2 weeks for repair and return of your Product after the Product is received.

Product registration available online at www.steamfast.com

© 2011 Vornado Air LLC • Andover, KS 67002
Specifications subject to change without notice.
Steamfast® is a trademark owned by Vornado Air LLC.
Manufactured in China.

Steamfast Consumer Service
W: www.steamfast.com | P: 1-800-711-6617 | E: consumerservice@steamfast.com



steamfast

powerful. natural. intelligent.™

review this product online
evalúe este producto en línea
évaluer ce produit en ligne

www.steamfast.com/reviews

Steamfast

415 East 13th, Andover, KS 67002

1-800-711-6617 | www.steamfast.com | consumerservice@steamfast.com

Free Manuals Download Website

<http://myh66.com>

<http://usermanuals.us>

<http://www.somanuals.com>

<http://www.4manuals.cc>

<http://www.manual-lib.com>

<http://www.404manual.com>

<http://www.luxmanual.com>

<http://aubethermostatmanual.com>

Golf course search by state

<http://golfingnear.com>

Email search by domain

<http://emailbydomain.com>

Auto manuals search

<http://auto.somanuals.com>

TV manuals search

<http://tv.somanuals.com>