



# OWNER'S MANUAL

## MODEL NO. WET6500A

### 6.5 HP 17 Inch Tiller

- **Assembly**
  - **Operation**
    - **Maintenance**
      - **Service and Adjustments**
      - **Storage**
        - **Troubleshooting**
        - **Repair Parts**

For Parts and Service, contact our authorized distributor: call 1-800-849-1297  
For Technical Assistance: call 1-800-829-5886

---

# WEED EATER®

01029-weedeater

186100 Rev. 3 06.17.03 TR  
PRINTED IN U.S.A.

# SAFETY RULES



## Safe Operation Practices for Walk-Behind Powered Rotary Tillers



### TRAINING

- Read the Owner's Manual carefully. Be thoroughly familiar with the controls and the proper use of the equipment. Know how to stop the unit and disengage the controls quickly.
- Never allow children to operate the equipment. Never allow adults to operate the equipment without proper instruction.
- Keep the area of operation clear of all persons, particularly small children, and pets.

### PREPARATION

- Thoroughly inspect the area where the equipment is to be used and remove all foreign objects.
- Disengage all clutches and shift into neutral before starting the engine (motor).
- Do not operate the equipment without wearing adequate outer garments. Wear footwear that will improve footing on slippery surfaces.
- Handle fuel with care; it is highly flammable.
- Use an approved fuel container.
- Never add fuel to a running engine or hot engine.
- Fill fuel tank outdoors with extreme care. Never fill fuel tank indoors.
- Replace gasoline cap securely and clean up spilled fuel before restarting.
- Use extension cords and receptacles as specified by the manufacturer for all units with electric drive motors or electric starting motors.
- Never attempt to make any adjustments while the engine (motor) is running (except where specifically recommended by manufacturer).

### OPERATION

- Do not put hands or feet near or under rotating parts.
- Exercise extreme caution when operating on or crossing gravel drives, walks, or roads. Stay alert for hidden hazards or traffic. Do not carry passengers.
- After striking a foreign object, stop the engine (motor), remove the wire from the spark plug, thoroughly inspect the tiller for any damage, and repair the damage before restarting and operating the tiller.
- Exercise caution to avoid slipping or falling.
- If the unit should start to vibrate abnormally, stop the engine (motor) and check immediately for the cause. Vibration is generally a warning of trouble.
- Stop the engine (motor) when leaving the operating position.
- Take all possible precautions when leaving the machine unattended. Disengage the tines, shift into neutral, and stop the engine.
- Before cleaning, repairing, or inspecting, shut off the engine and make certain all moving parts have stopped. Disconnect the spark plug wire, and keep the wire away from the plug to prevent accidental starting. Disconnect the cord on electric motors.
- Do not run the engine indoors; exhaust fumes are dangerous.

- Never operate the tiller without proper guards, plates, or other safety protective devices in place.
- Keep children and pets away.
- Do not overload the machine capacity by attempting to till too deep at too fast a rate.
- Never operate the machine at high speeds on slippery surfaces. Look behind and use care when backing.
- Never allow bystanders near the unit.
- Use only attachments and accessories approved by the manufacturer of the tiller.
- Never operate the tiller without good visibility or light.
- Be careful when tilling in hard ground. The tines may catch in the ground and propel the tiller forward. If this occurs, let go of the handlebars and do not restrain the machine.

### MAINTENANCE AND STORAGE

- Keep machine, attachments, and accessories in safe working condition.
- Check shear pins, engine mounting bolts, and other bolts at frequent intervals for proper tightness to be sure the equipment is in safe working condition.
- Never store the machine with fuel in the fuel tank inside a building where ignition sources are present, such as hot water and space heaters, clothes dryers, and the like. Allow the engine to cool before storing in any enclosure.
- Always refer to the operator's guide instructions for important details if the tiller is to be stored for an extended period.

### - IMPORTANT -

CAUTIONS, IMPORTANTS, AND NOTES ARE A MEANS OF ATTRACTING ATTENTION TO IMPORTANT OR CRITICAL INFORMATION IN THIS MANUAL.

**IMPORTANT:** USED TO ALERT YOU THAT THERE IS A POSSIBILITY OF DAMAGING THIS EQUIPMENT.

**NOTE:** Gives essential information that will aid you to better understand, incorporate, or execute a particular set of instructions.



Look for this symbol to point out important safety precautions. It means **CAUTION!!! BECOME ALERT!!! YOUR SAFETY IS INVOLVED.**



**CAUTION:** Always disconnect spark plug wire and place wire where it cannot contact spark plug in order to prevent accidental starting when setting up, transporting, adjusting or making repairs.

### **WARNING**

The engine exhaust from this product contains chemicals known to the State of California to cause cancer, birth defects, or other reproductive harm.

## PRODUCT SPECIFICATIONS

|   |   |
|---|---|
| Gasoline Capacity:                          | 3 Quarts (2.8L)<br>Unleaded Regular                   |
| Oil (API-SF-SJ):<br>(Capacity: 20 oz./0.6L) | SAE 30 (Above 32°F/0°C)<br>SAE 5w-30 (Below 32°F/0°C) |
| Spark Plug :<br>(Gap: .030"/0.76mm)         | Champion<br>RN4C                                      |

**CONGRATULATIONS** on your purchase of a new tiller. It has been designed, engineered and manufactured to give you the best possible dependability and performance.

Should you experience any problems you cannot easily remedy, please contact your nearest authorized service center. We have competent, well-trained technicians and the proper tools to service or repair this unit.

Please read and retain this manual. The instructions will enable you to assemble and maintain your tiller properly. Always observe the "SAFETY RULES".

## CUSTOMER RESPONSIBILITIES

- Read and observe the safety rules.
- Follow a regular schedule in maintaining, caring for and using your tiller.
- Follow instructions under "Maintenance" and "Storage" sections of this Owner's Manual.

**WARNING:** This unit is equipped with an internal combustion engine and should not be used on or near any unimproved forest-covered, brush-covered or grass covered land unless the engine's exhaust system is equipped with a spark arrester meeting applicable local or state laws (if any). If a spark arrester is used, it should be maintained in effective working order by the operator.

In the state of California the above is required by law (Section 4442 of the California Public Resources Code). Other states may have similar laws. Federal laws apply on federal lands. See your Authorized Service Center/Department for spark arrester. Refer to the Repair Parts section of this manual for part number.

---

# TABLE OF CONTENTS

---

|  |             |  |              |
|--|-------------|--|--------------|
| <b>SAFETY RULES</b> .....              | <b>2</b>    | <b>MAINTENANCE</b> .....               | <b>12-14</b> |
| <b>CUSTOMER RESPONSIBILITIES</b> ..... | <b>3</b>    | <b>SERVICE &amp; ADJUSTMENTS</b> ..... | <b>15-18</b> |
| <b>PRODUCT SPECIFICATIONS</b> .....    | <b>3</b>    | <b>STORAGE</b> .....                   | <b>19</b>    |
| <b>ASSEMBLY</b> .....                  | <b>4-6</b>  | <b>TROUBLESHOOTING</b> .....           | <b>20</b>    |
| <b>OPERATION</b> .....                 | <b>7-11</b> | <b>REPAIR PARTS-TILLER</b> .....       | <b>21-27</b> |
| <b>MAINTENANCE SCHEDULE</b> .....      | <b>12</b>   | <b>WARRANTY</b> .....                  | <b>28</b>    |

# ASSEMBLY

Your new tiller has been assembled at the factory with exception of those parts left unassembled for shipping purposes. To ensure safe and proper operation of your tiller, all parts and hardware you assemble must be tightened securely. Use the correct tools as necessary to insure proper tightness.

## TOOLS REQUIRED FOR ASSEMBLY

A socket wrench set will make assembly easier. Standard wrench sizes are listed.

- (1) Utility knife
- (1) Tire pressure gauge
- (1) Pair of pliers
- (1) 9/16" wrench

## OPERATOR'S POSITION (See Fig. 1)

When right or left hand is mentioned in this manual, it means when you are in the operating position (standing behind tiller handles).

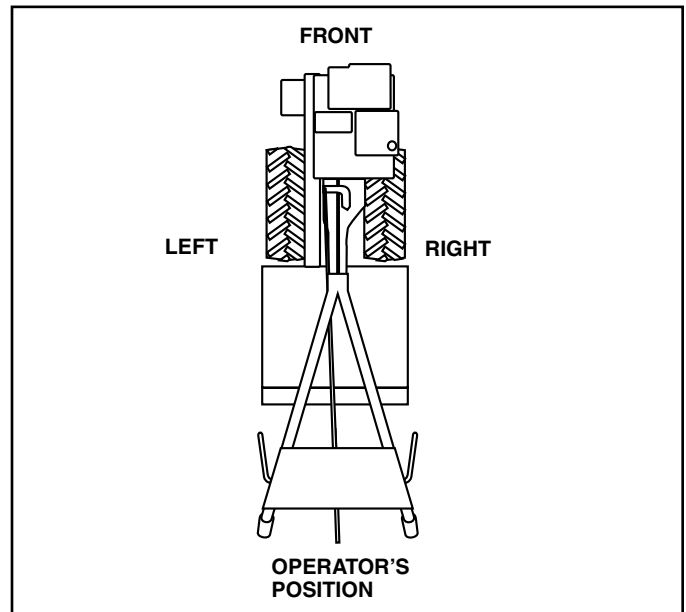
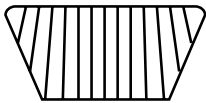
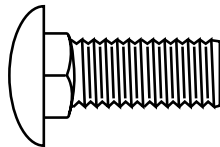


FIG. 1

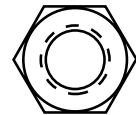
## CONTENTS OF HARDWARE PACK



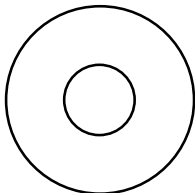
(2) Handle Locks



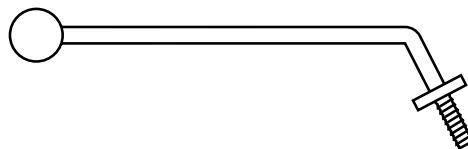
(1) Carriage Bolt  
3/8-16 UNC x 1 Grade 5



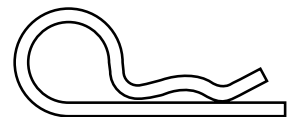
(1) Center Locknut  
3/8-16 UNC



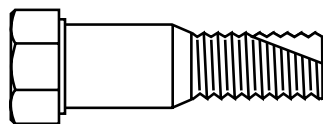
(1) Flat Washer 13/32 x 1 x 11 Gauge



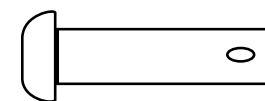
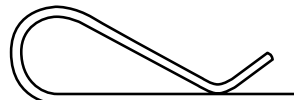
(1) Handle Lock Lever



(1) Hairpin Clip



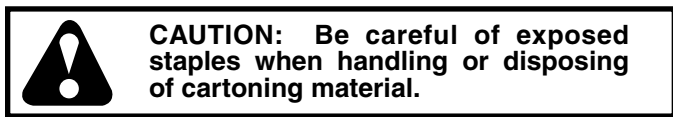
(1) Pivot Bolt  
3/8-16 UNC Grade 5



Extra Shear Pins & Clips

# ASSEMBLY

## UNPACKING CARTON (See Fig. 2)



**IMPORTANT:** WHEN UNPACKING AND ASSEMBLING TILLER, BE CAREFUL NOT TO STRETCH OR KINK CABLES.

- While holding handle assembly, cut cable ties securing handle assembly to top frame. Let handle assembly rest on tiller.
- Remove top frame of carton.
- Slowly ease handle assembly up and place on top of carton.
- Cut down right hand front and right hand rear corners of carton, lay side carton wall down.
- Remove packing material from handle assembly.

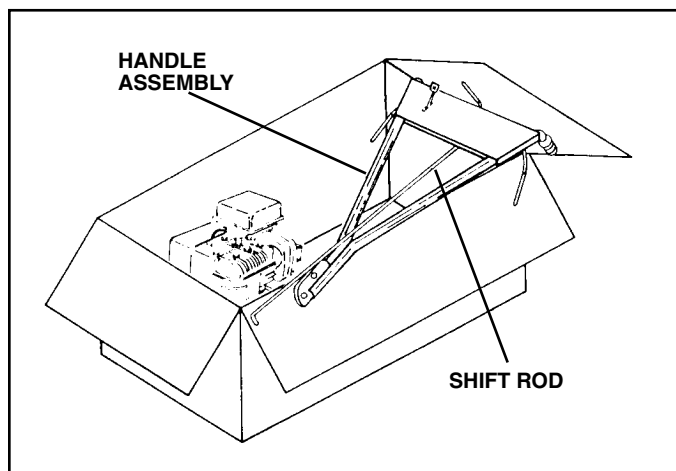


FIG. 2

## INSTALL HANDLE (See Figs. 3, 4, and 5)

- Insert one handle lock (with teeth facing outward) in gearcase notch. (Apply grease on smooth side of handle lock to aid in keeping lock in place until handle assembly is lowered into position.)

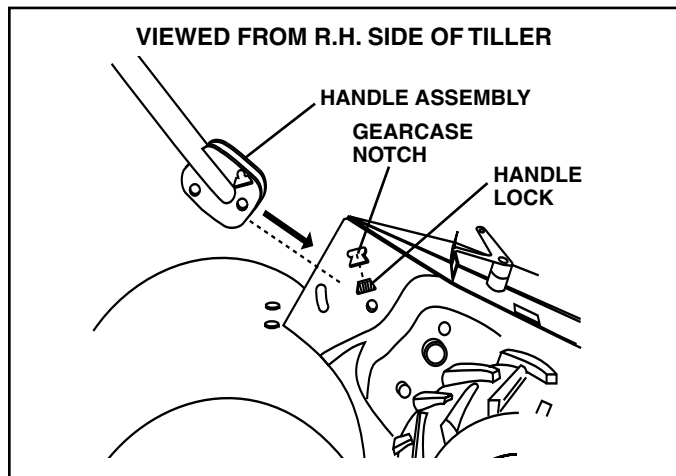


FIG. 3

- Grasp handle assembly. Hold in "up" position. Be sure handle lock remains in gearcase notch. Slide handle assembly into position.

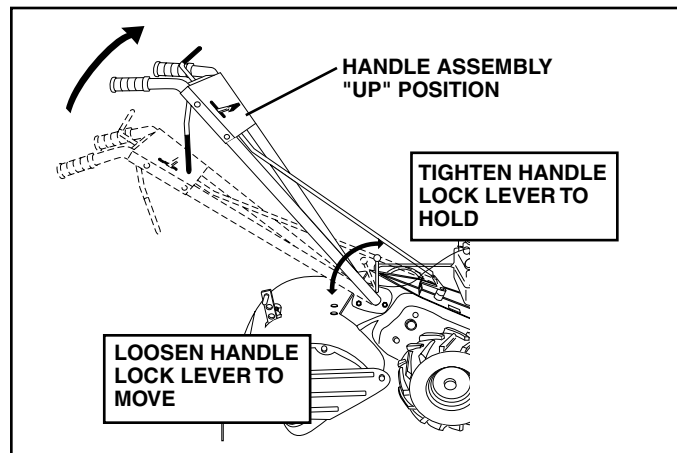


FIG. 4

- Rotate handle assembly down. Insert rear carriage bolt first, with bolt head on L.H. side of tiller and loosely assemble locknut (See Fig. 5).
- Insert pivot bolt in front part of plate and tighten.
- Cut down remaining corners of carton and lay panels flat.
- Lower the handle assembly. Tighten nut on carriage bolt so handle moves with some resistance. This will allow for easier adjustment.
- Place flat washer on threaded end of handle lock lever.
- Insert handle lock lever through handle base and gearcase. Screw in handle lock lever just enough to hold lever in place.
- Insert second handle lock (with teeth inward) in the slot of the handle base (just inside of washer).
- With handle assembly in lowest position, securely tighten handle lock lever by rotating clockwise. Leaving handle assembly in lowest position will make it easier to remove tiller from carton.

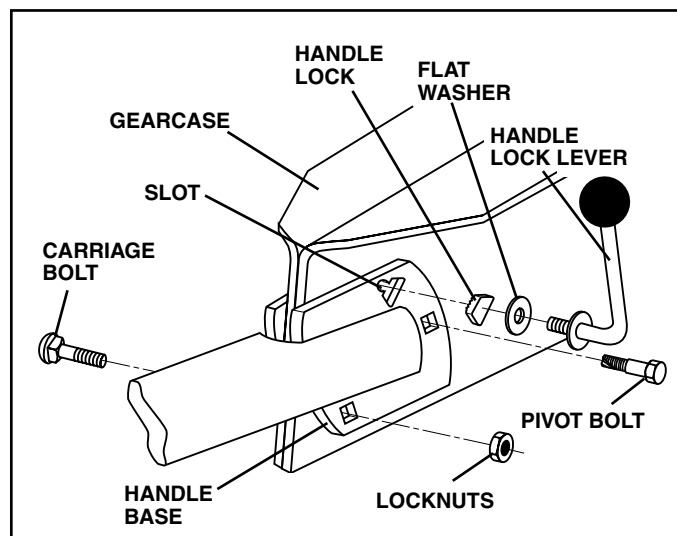


FIG. 5

# ASSEMBLY

## ATTACH CLUTCH CABLE (See Fig. 6)

- Hook end of clutch cable through hole in control bar bracket if necessary.

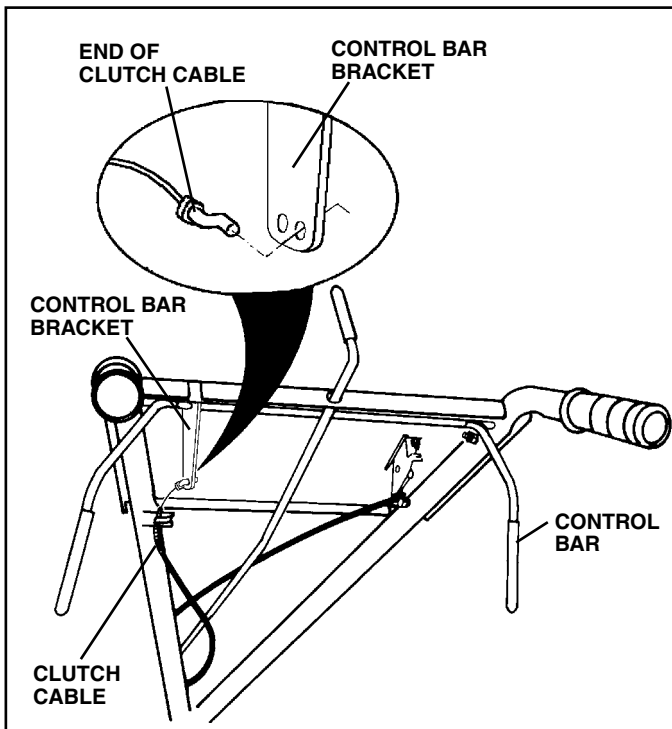


FIG. 6

## CONNECT SHIFT ROD (See Fig. 7)

- Insert end of shift rod into hole of shift lever indicator.
- Insert hairpin clip through hole of shift rod to secure.

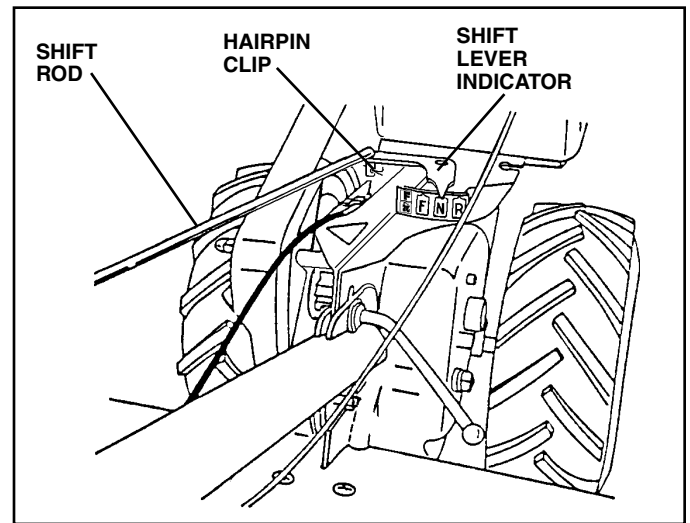


FIG. 7

## REMOVE TILLER FROM CRATE

- Make sure shift lever indicator is in "N" position (See Fig. 7)
- Tilt tiller forward by lifting handle. Separate cardboard cover from leveling shield.
- Rotate tiller handle to the right and pull tiller out of carton.

## CHECK TIRE PRESSURE

The tires on your unit were overinflated at the factory for shipping purposes. Correct and equal tire pressure is important for best tilling performance.

- Reduce tire pressure to 20 PSI (1.4 kg/cm<sup>2</sup>).

## HANDLE HEIGHT

- Handle height may be adjusted to better suit operator. (See "TO ADJUST HANDLE HEIGHT" in the Service and Adjustments section of this manual).

# OPERATION

## KNOW YOUR TILLER

### READ THIS OWNER'S MANUAL AND SAFETY RULES BEFORE OPERATING YOUR TILLER.

Compare the illustrations with your tiller to familiarize yourself with the location of various controls and adjustments. Save this manual for future reference.

These symbols may appear on your Tiller or in literature supplied with the product. Learn and understand their meaning.

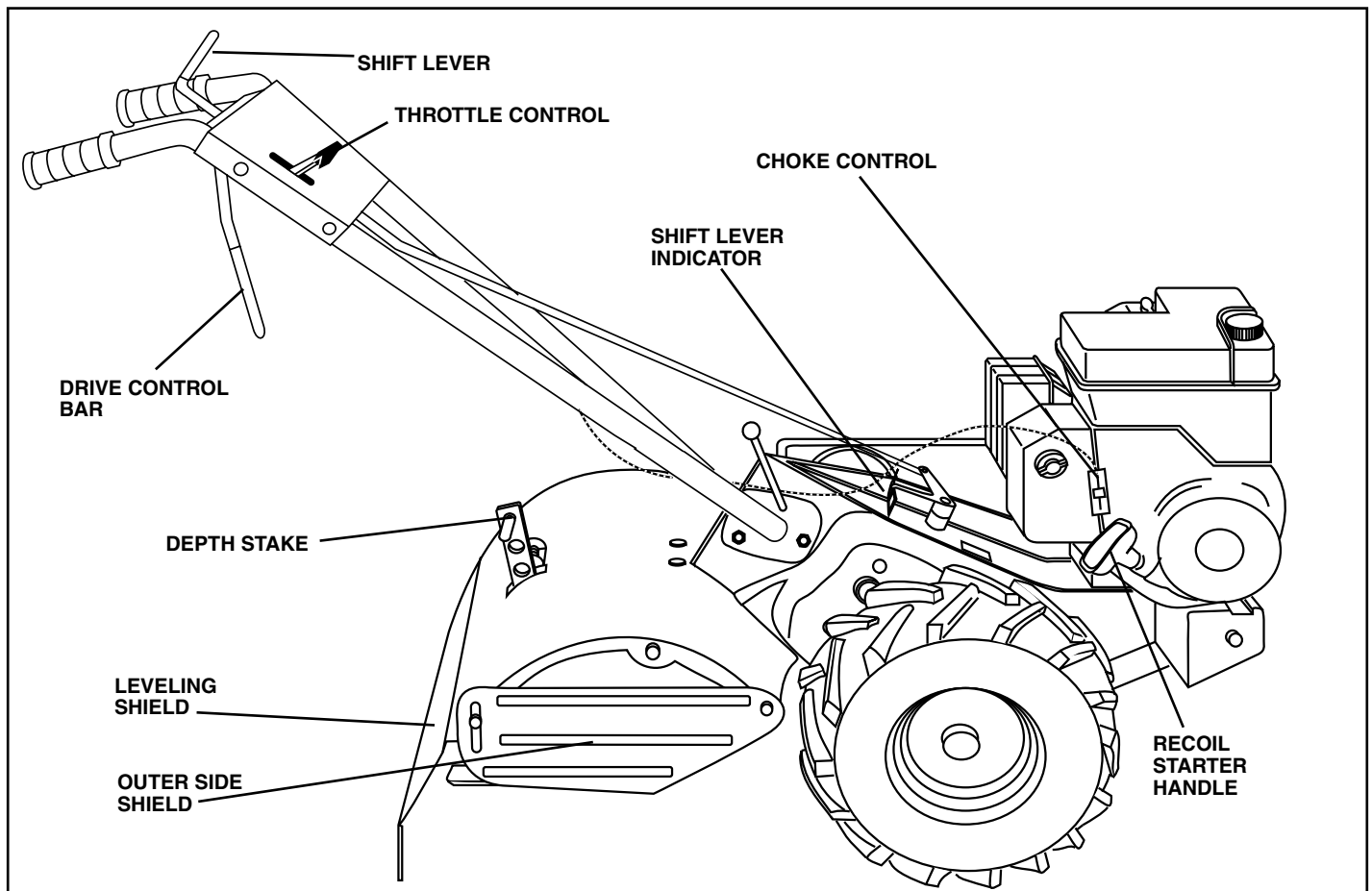
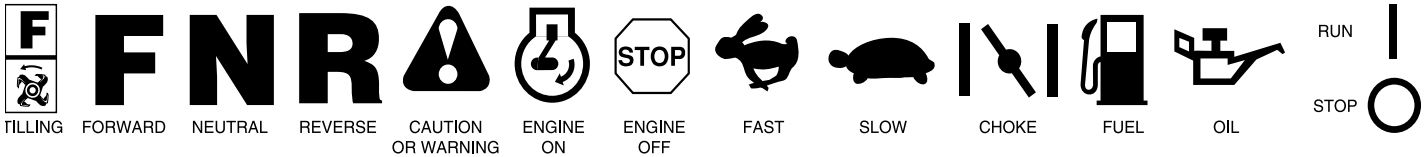


FIG. 8

## MEETS ANSI SAFETY REQUIREMENTS

Our tillers conform to the safety standards of the American National Standards Institute.

**THROTTLE CONTROL** - Used to control engine speed.

**DRIVE CONTROL BAR** - Used to engage tiller.

**DEPTH STAKE** - Controls depth at which tiller will dig.

**LEVELING SHIELD** - Levels tilled soil.

**OUTER SIDE SHIELD** - Adjustable to protect small plants from being buried.

**SHIFT LEVER** - Used to shift transmission gears.

**SHIFT LEVER INDICATOR** - Shows which gear the transmission is in.

**RECOIL STARTER HANDLE** - Used to start the engine.

**CHOKE CONTROL** - Used when starting a cold engine.

# OPERATION



The operation of any tiller can result in foreign objects thrown into the eyes, which can result in severe eye damage. Always wear safety glasses or eye shields before starting your tiller and while tilling. We recommend a wide vision safety mask over spectacles or standard safety glasses.

## HOW TO USE YOUR TILLER

Know how to operate all controls before adding fuel and oil or attempting to start engine.

## STOPPING (See Fig. 9)

### TINES AND DRIVE

- Release drive control bar to stop movement.
- Move shift lever to "N" (neutral) position.

### ENGINE

- Move throttle control to "STOP" position. If equipped with stop switch, move switch to "STOP" position.
- Never use choke to stop engine.

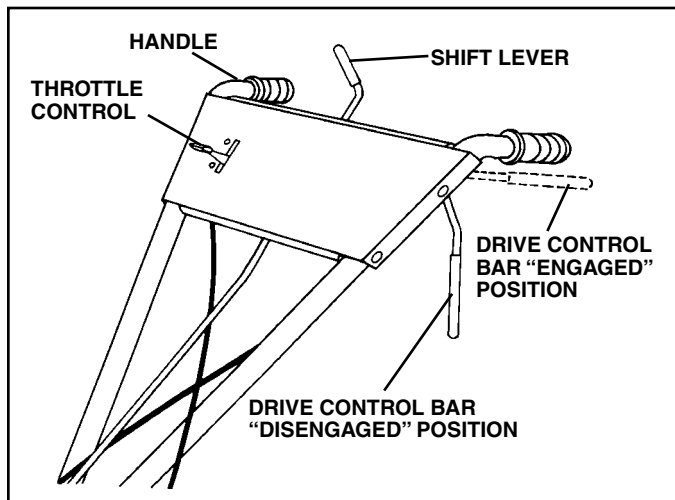


FIG. 9

## TINE OPERATION - WITH WHEEL DRIVE

- Always release drive control bar before moving shift lever into another position.
- Tine movement is achieved by moving shift lever to (R) till position and engaging drive control bar.

## FORWARD- WHEELS ONLY/TINES STOPPED

- Release drive control bar and move shift lever indicator to "F" (forward) position. Engage drive control bar and tiller will move forward.

## REVERSE - WHEELS ONLY/TINES STOPPED

- DO NOT STAND DIRECTLY BEHIND TILLER.
- Release the drive control bar.
- Move throttle control to "SLOW" position.
- Move shift lever indicator to "R" (reverse) position.
- Hold drive control bar against the handle to start tiller movement.

## HARD TO SHIFT GEARS

- Briefly engage drive control bar and release or rock tiller forward and backward until are able to shift gears.

## DEPTH STAKE (See Fig. 10)

The depth stake can be raised or lowered to allow you more versatile tilling and cultivating, or to more easily transport your tiller.

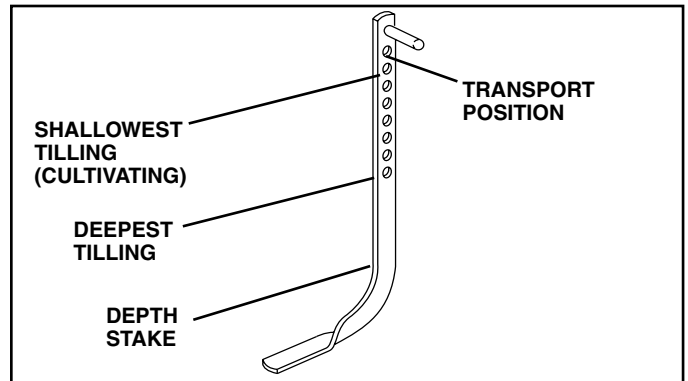


FIG. 10

## TILLING (See Fig. 11)

- Release depth stake pin. Pull the depth stake up for increased tilling depth. Place depth stake pin in hole of depth stake to lock in position.
- Place shift lever indicator in till position.
- Hold the drive control bar against the handle to start tilling movement. Tines and wheels will both turn.
- Move throttle control to "FAST" position for deep tilling. To cultivate, throttle control can be set at any desired speed, depending on how fast or slow you wish to cultivate.

**IMPORTANT:** ALWAYS RELEASE DRIVE CONTROL BAR BEFORE MOVING SHIFT LEVER INTO ANOTHER POSITION.

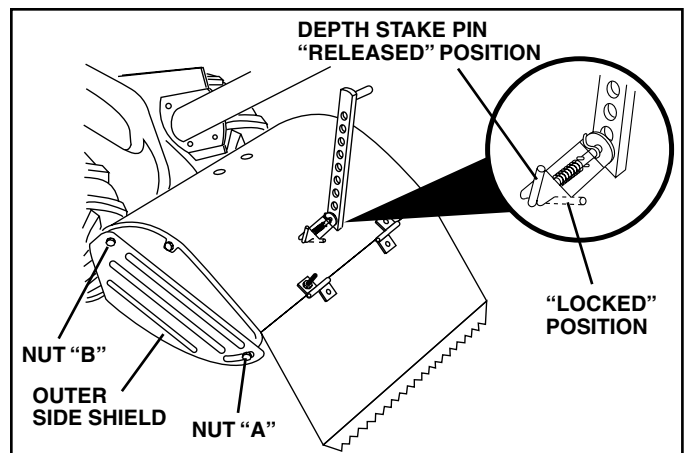


FIG. 11



# OPERATION

## TURNING

- Release the drive control bar.
- Move throttle control to "SLOW" position.
- Place shift lever indicator in "F" (forward) position. Tines will not turn.
- Lift handle to raise tines out of ground.
- Swing the handle in the opposite direction you wish to turn, being careful to keep feet and legs away from tines.
- When you have completed your turn-around, release the drive control bar and lower handle. Place shift lever in till position and move throttle control to desired speed. To begin tilling, hold drive control bar against the handle.

## OUTER SIDE SHIELDS (See Fig. 11)

The back edges of the outer side shields are slotted so that the shields can be raised for deep tilling and lowered for shallow tilling to protect small plants from being buried. Loosen nut "A" in slot and nut "B". Move shield to desired position (both sides). Retighten nuts.

## TO TRANSPORT



**CAUTION: Before lifting or transporting, allow tiller engine and muffler to cool. Disconnect spark plug wire. Drain gasoline from fuel tank.**

## AROUND THE YARD

- Release the depth stake pin. Move the depth stake down to the top hole for transporting the tiller. Place depth stake pin in hole of depth stake to lock in position. This prevents tines from scuffing the ground.
- Place shift lever indicator in "F" (forward) position for transporting.
- Hold the drive control bar against the handle to start tiller movement. Tines will not turn.
- Move throttle control to desired speed.

## AROUND TOWN

- Disconnect spark plug wire.
- Drain fuel tank.
- Transport in upright position to prevent oil leakage.

## BEFORE STARTING ENGINE

**IMPORTANT:** BE VERY CAREFUL NOT TO ALLOW DIRT TO ENTER THE ENGINE WHEN CHECKING OR ADDING OIL OR FUEL. USE CLEAN OIL AND FUEL AND STORE IN APPROVED, CLEAN, COVERED CONTAINERS. USE CLEAN FILL FUNNELS.

## CHECK ENGINE OIL LEVEL (See Fig. 12)

- The engine in your unit has been shipped, from the factory, already filled with SAE 30 summer weight oil.
- Be sure tiller is level and the area around oil fill is clean.
- Check oil level before each use. Add oil if needed. Fill to full line on dipstick.
- To read proper level, tighten engine oil cap each time.

- Reinstall engine oil cap and tighten.
- For approximate capacity see "PRODUCT SPECIFICATIONS" on page 3 of this manual. All oil must meet A.P.I. Service Classification SF-SJ.
- For cold weather operation you should change oil for easier starting (See oil viscosity chart in the Maintenance section of this manual).
- To change engine oil, see the Maintenance section in this manual.

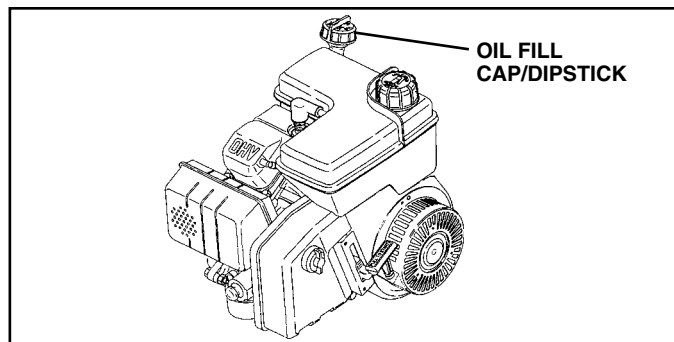


FIG. 12

## ADD GASOLINE

- Fill fuel tank to bottom of filler neck. Do not overfill. Use fresh, clean, regular unleaded gasoline with a minimum of 87 octane. (Use of leaded gasoline will increase carbon and lead oxide deposits and reduce valve life). Do not mix oil with gasoline. Purchase fuel in quantities that can be used within 30 days to assure fuel freshness.



**CAUTION: Fill to within 1/2 inch of top of fuel tank to prevent spills and to allow for fuel expansion. If gasoline is accidentally spilled, move machine away from area of spill. Avoid creating any source of ignition until gasoline vapors have disappeared.**

**Wipe off any spilled oil or fuel. Do not store, spill or use gasoline near an open flame.**

**IMPORTANT:** WHEN OPERATING IN TEMPERATURES BELOW 32°F (0°C), USE FRESH, CLEAN WINTER GRADE GASOLINE TO HELP INSURE GOOD COLD WEATHER STARTING.

**CAUTION: Alcohol blended fuels (called gasohol or using ethanol or methanol) can attract moisture which leads to separation and formation of acids during storage. Acidic gas can damage the fuel system of an engine while in storage. To avoid engine problems, the fuel system should be emptied before storage of 30 days or longer. Drain the gas tank, start the engine and let it run until the fuel lines and carburetor are empty. Use fresh fuel next season. See Storage Instructions for additional information. Never use engine or carburetor cleaner products in the fuel tank or permanent damage may occur.**

# OPERATION

## TO START ENGINE (See Fig. 13)



**CAUTION:** Keep drive control bar in “DISENGAGED” position when starting engine.

When starting engine for the first time or if engine has run out of fuel, it will take extra pulls of the recoil starter to move fuel from the tank to the engine.

- Make sure spark plug wire is properly connected.
- Move shift lever indicator to “N” (neutral) position.
- Place throttle control in “FAST” position.
- To start a cold engine, push primer five (5) times before trying to start. Use a firm push. This step is not usually necessary when starting an engine which has already run for a few minutes.
- Grasp recoil starter handle with one hand and grasp tiller handle with other hand. Pull rope out slowly until engine reaches start of compression cycle (rope will pull slightly harder at this point).
- Pull recoil starter handle quickly. Do not let starter handle snap back against starter.
- Allow engine to warm up for a few minutes before engaging tines.

**NOTE:** In cooler weather it may be necessary to repeat priming steps. In warmer weather over priming may cause flooding and engine will not start. If you do flood engine, wait a few minutes before attempting to start and do not repeat priming steps.

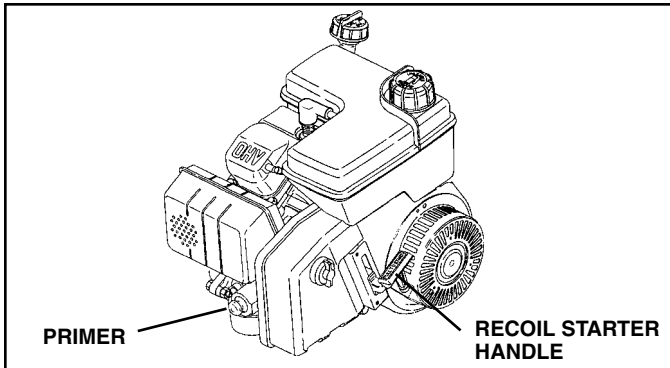


FIG. 13

## TILLING HINTS



**CAUTION:** Until you are accustomed to handling your tiller, start actual field use with throttle in slow position (mid-way between “FAST” and “IDLE”).

- Tilling is digging into, turning over, and breaking up packed soil before planting. Loose, unpacked soil helps root growth. Best tilling depth is 4" to 6" (10-15 cm). A tiller will also clear the soil of unwanted vegetation. The decomposition of this vegetable matter enriches the soil. Depending on the climate (rainfall and wind), it may be advisable to till the soil at the end of the growing season to further condition the soil.
- Soil conditions are important for proper tilling. Tines will not readily penetrate dry, hard soil which may contribute to excessive bounce and difficult handling of your tiller. Hard soil should be moistened before tilling; however, extremely wet soil will “ball-up” or clump during tilling. Wait until the soil is less wet in order to achieve the best results. When tilling in the fall, remove vines and long grass to prevent them from wrapping around the tine shaft and slowing your tilling operation.
- You will find tilling much easier if you leave a row untilled between passes. Then go back between tilled rows. (See Fig. 14) There are two reasons for doing this. First, wide turns are much easier to negotiate than about-faces. Second, the tiller won't be pulling itself, and you, toward the row next to it.
- Do not lean on handle. This takes weight off the wheels and reduces traction. To get through a really tough section of sod or hard ground, apply upward pressure on handle or lower the depth stake.

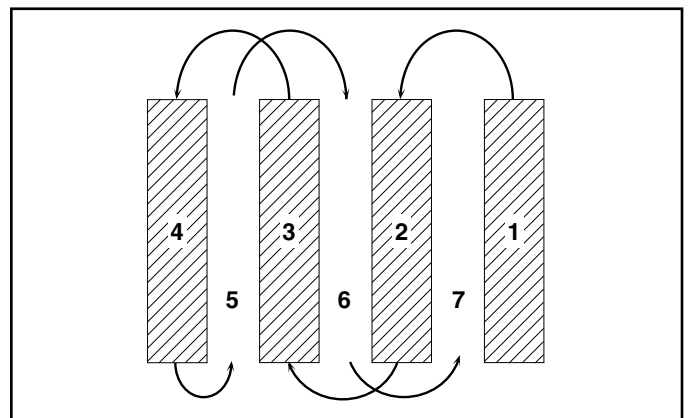


FIG. 14

# OPERATION

## TINE SHEAR PINS

The tine assemblies on your tiller are secured to the tine shaft with shear pins (See "TINE REPLACEMENT" in the Service and Adjustments section of this manual).

If the tiller is unusually overloaded or jammed, the shear pins are designed to break before internal damage occurs to the transmission.

- If shear pin(s) break, replace only with those shown in the Repair Parts section of this manual.

## CULTIVATING

Cultivating is destroying the weeds between rows to prevent them from robbing nourishment and moisture from the plants. At the same time, breaking up the upper layer of soil crust will help retain moisture in the soil. Best digging depth is 1" to 3" (2.5-7.5 cm). Lower the outer side shields to protect small plants from being buried.

- Cultivate up and down the rows at a speed which will allow tines to uproot weeds and leave the ground in rough condition, promoting no further growth of weeds and grass (See Fig. 15).

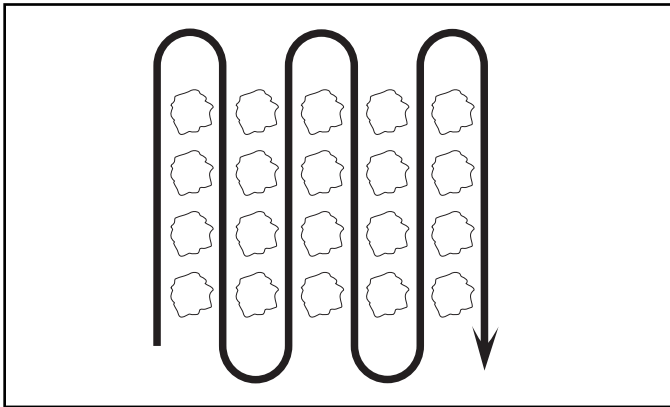


FIG. 15

## ADJUST WHEELS FOR CULTIVATING (See Figs. 16 and 17)

- Place blocks under right hand side of tiller and remove hairpin clip and clevis pin from right hand wheel.
- Move wheel outward approximately 1 inch (2.5 cm) until hole in inner wheel hub lines up with inner hole in axle.
- Replace clevis pin and hairpin clip on inside of wheel and remove blocks.
- Repeat preceding steps on left hand side.

**NOTE:** In extremely rough conditions and while cultivating, the wheels should be moved outward on the axle for increased stability.

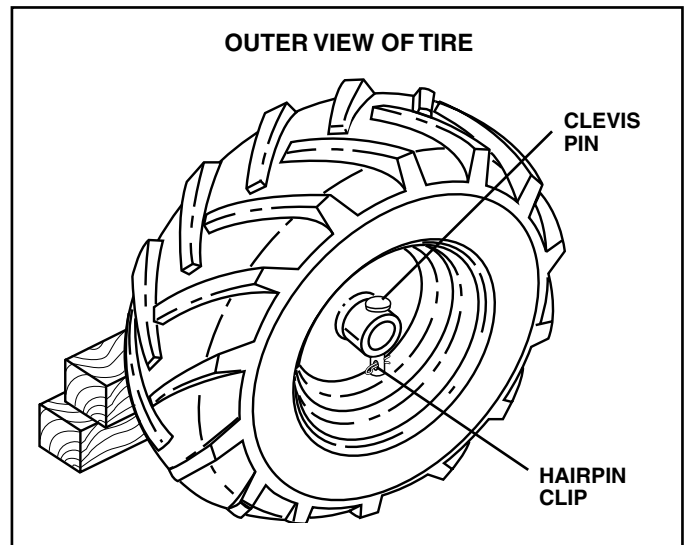


FIG. 16

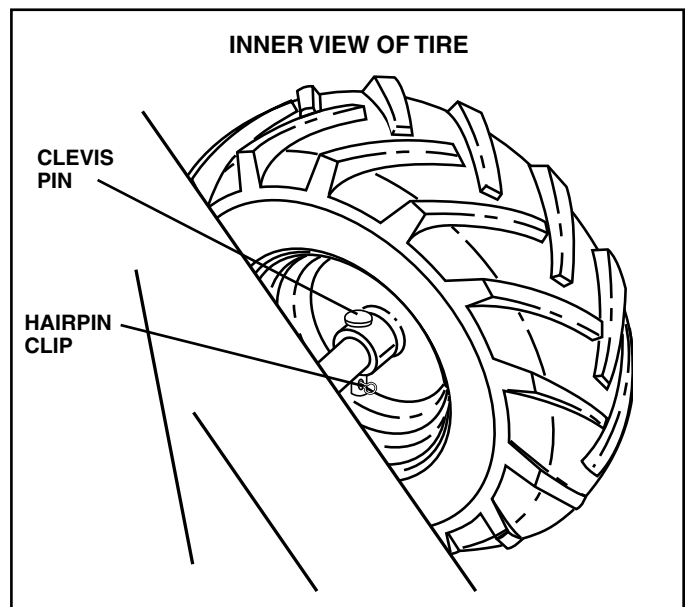


FIG. 17

# MAINTENANCE

| MAINTENANCE SCHEDULE                          |                 |               |                  |                |              | SERVICE DATES |  |  |  |  |  |  |  |  |  |  |  |  |  |  |  |
|---|-----------------|---------------|------------------|----------------|--------------|---------------|--|--|--|--|--|--|--|--|--|--|--|--|--|--|--|
|   | BEFORE EACH USE | EVERY 5 HOURS | EVERY 25 HOURS   | EVERY 50 HOURS | EVERY SEASON |               |  |  |  |  |  |  |  |  |  |  |  |  |  |  |  |
| FILL IN DATES AS YOU COMPLETE REGULAR SERVICE |                 |               |                  |                |              |               |  |  |  |  |  |  |  |  |  |  |  |  |  |  |  |
| Check Engine Oil Level                        | ✓               | ✓             |                  |                |              |               |  |  |  |  |  |  |  |  |  |  |  |  |  |  |  |
| Change Engine Oil                             |                 |               | ✓ <sub>1,2</sub> |                |              |               |  |  |  |  |  |  |  |  |  |  |  |  |  |  |  |
| Oil Pivot Points                              |                 | ✓             |                  |                |              |               |  |  |  |  |  |  |  |  |  |  |  |  |  |  |  |
| Inspect Spark Arrester / Muffler              |                 |               |                  | ✓              |              |               |  |  |  |  |  |  |  |  |  |  |  |  |  |  |  |
| Inspect Air Screen                            | ✓               |               |                  |                |              |               |  |  |  |  |  |  |  |  |  |  |  |  |  |  |  |
| Clean or Replace Air Cleaner Cartridge        |                 |               |                  | ✓ <sub>2</sub> |              |               |  |  |  |  |  |  |  |  |  |  |  |  |  |  |  |
| Clean Engine Cylinder Fins                    |                 |               |                  | ✓              |              |               |  |  |  |  |  |  |  |  |  |  |  |  |  |  |  |
| Replace Spark Plug                            |                 |               |                  | ✓              |              |               |  |  |  |  |  |  |  |  |  |  |  |  |  |  |  |
| RH Gear Case Grease Fitting (1oz.)            |                 |               |                  |                | ✓            |               |  |  |  |  |  |  |  |  |  |  |  |  |  |  |  |

1 - Change more often when operating under a heavy load or in high ambient temperatures.  
 2 - Service more often when operating in dirty or dusty conditions.

## GENERAL RECOMMENDATIONS

The warranty on this tiller does not cover items that have been subjected to operator abuse or negligence. To receive full value from the warranty, the operator must maintain tiller as instructed in this manual.

Some adjustments will need to be made periodically to properly maintain your tiller.

All adjustments in the Service and Adjustments section of this manual should be checked at least once each season.

- Once a year you should replace the spark plug, clean or replace air filter, and check tines and belts for wear. A new spark plug and clean air filter assure proper air-fuel mixture and help your engine run better and last longer.

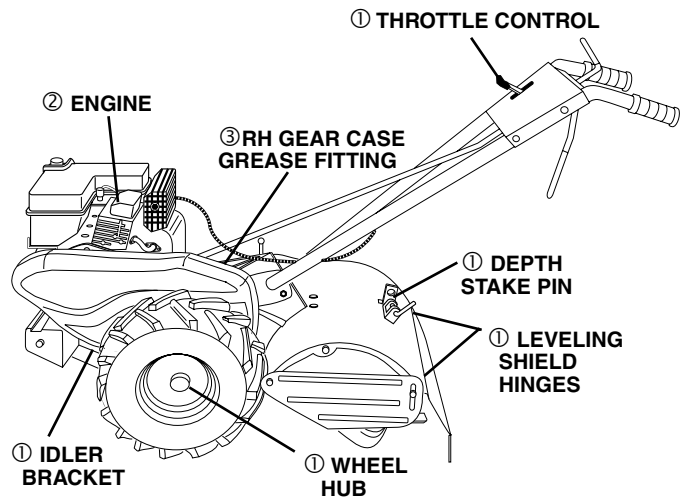
## BEFORE EACH USE

- Check engine oil level.
- Check tine operation.
- Check for loose fasteners.

## LUBRICATION

Keep unit well lubricated (See "LUBRICATION CHART").

## LUBRICATION CHART



- ① SAE 30 OR 10W-30 MOTOR OIL
- ② REFER TO MAINTENANCE "ENGINE" SECTION
- ③ EP #1 GREASE

# MAINTENANCE



Disconnect spark plug wire before performing any maintenance (except carburetor adjustment) to prevent accidental starting of engine.

Prevent fires! Keep the engine free of grass, leaves, spilled oil, or fuel. Remove fuel from tank before tipping unit for maintenance. Clean muffler area of all grass, dirt, and debris.

Do not touch hot muffler or cylinder fins as contact may cause burns.

## ENGINE

### LUBRICATION

Use only high quality detergent oil rated with API service classification SF-SJ. Select the oil's SAE viscosity grade according to your expected temperature.

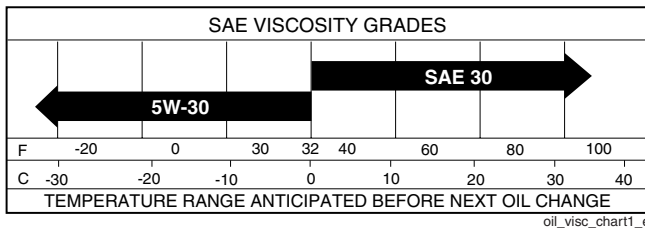


FIG. 18

**NOTE:** Although multi-viscosity oils (5W-30, 10W-30, etc.) improve starting in cold weather, these multi-viscosity oils will result in increased oil consumption when used above 32°F (0°C). Check your engine oil level more frequently to avoid possible engine damage from running low on oil.

Change the oil after every 25 hours of operation or at least once a year if the tiller is not used for 25 hours in one year.

Check the crankcase oil level before starting the engine and after each five (5) hours of continuous use. Add SAE 30 motor oil or equivalent. Tighten oil filler plug securely each time you check the oil level.

### TO CHANGE ENGINE OIL (See Figs. 18 and 19)

Determine temperature range expected before oil change. All oil must meet API service classification SF-SJ.

- Be sure tiller is on level surface.
- Oil will drain more freely when warm.
- Use a funnel to prevent oil spill on tiller, and catch oil in a suitable container.
- Remove drain plug.
- Tip tiller forward to drain oil.
- After oil has drained completely, replace oil drain plug and tighten securely.
- Remove oil filler plug. Be careful not to allow dirt to enter the engine.
- Refill engine with oil. See "CHECK ENGINE OIL LEVEL" in the Operation section of this manual.

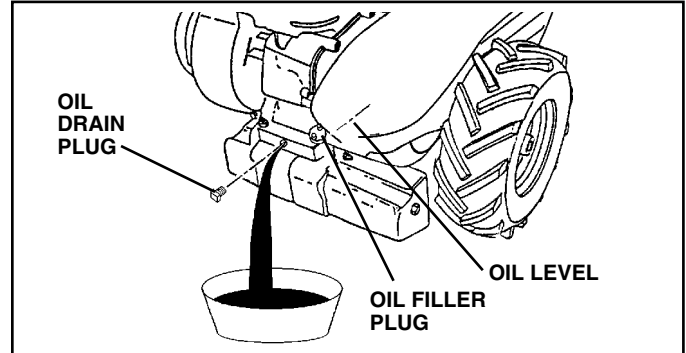


FIG. 19

### AIR FILTER (See Fig. 20)

Your engine will not run properly using a dirty air filter. Clean the foam pre-cleaner after every 25 hours of operation or every season. Service paper cartridge every 100 hours of operation or every season, whichever occurs first.

Service air cleaner more often under dusty conditions.

- Remove cover screw and cover.
- TO SERVICE PRE-CLEANER
- Remove foam pre-cleaner from air cleaner cover.
  - Wash it in liquid detergent and water.
  - Squeeze it dry in a clean cloth.
  - Saturate it in engine oil. Wrap it in clean, absorbent cloth and squeeze to remove excess oil.
  - If very dirty or damaged, replace pre-cleaner.
  - Reinstall pre-cleaner into air cleaner cover.
  - Reinstall cover and secure screw.
- TO SERVICE CARTRIDGE
- Carefully remove cartridge to prevent debris from entering carburetor. Clean base carefully to prevent debris from entering carburetor.
  - Clean cartridge by tapping gently on flat surface. If very dirty or damaged, replace cartridge.
  - Reinstall cartridge, cover with pre-cleaner and secure with screw.

**IMPORTANT:** PETROLEUM SOLVENTS, SUCH AS KEROSENE, ARE NOT TO BE USED TO CLEAN THE CARTRIDGE. THEY MAY CAUSE DETERIORATION OF THE CARTRIDGE. DO NOT OIL CARTRIDGE. DO NOT USE PRESSURIZED AIR TO CLEAN OR DRY CARTRIDGE.

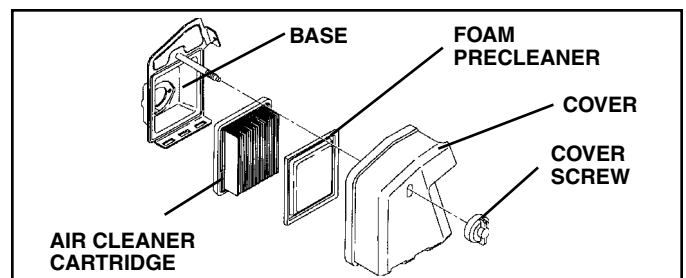


FIG. 20

# MAINTENANCE

## COOLING SYSTEM (See Fig. 21)

Your engine is air cooled. For proper engine performance and long life keep your engine clean.

- Clean air screen frequently using a stiff-bristled brush.
- Remove blower housing and clean as necessary.
- Keep cylinder fins free of dirt and chaff.

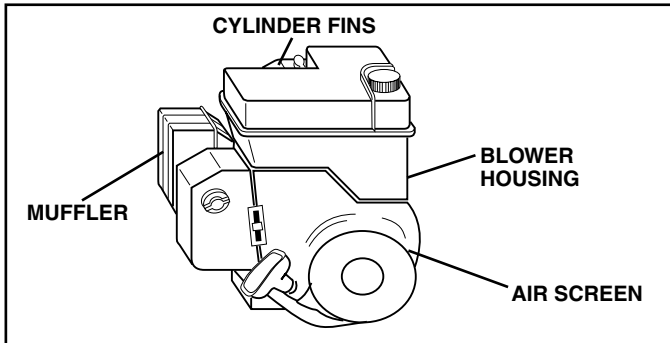


FIG. 21

## MUFFLER

Do not operate tiller without muffler. Do not tamper with exhaust system. Damaged mufflers or spark arresters could create a fire hazard. Inspect periodically and replace if necessary. If your engine is equipped with a spark arrester screen assembly, remove every 50 hours for cleaning and inspection. Replace if damaged.

## SPARK PLUG

Replace spark plugs at the beginning of each tilling season or after every 50 hours of use, whichever comes first. Spark plug type and gap setting is shown in "PRODUCT SPECIFICATIONS" on page 3 of this manual.

## TRANSMISSION

Once a season, lubricate the right hand side gear case grease fitting with oz. of EP #1 grease.

## CLEANING

Do not clean your tiller when the engine and transmission are hot. We do not recommend using pressurized water (garden hose, etc.) to clean your unit unless the gasket area around the transmission and the engine muffler, air filter and carburetor are covered to keep water out. Water in engine will shorten the useful life of your tiller.

- Clean engine, wheels, finish, etc. of all foreign matter.
- Keep finished surfaces and wheels free of all gasoline, oil, etc.
- Protect painted surfaces with automotive type wax.

# SERVICE AND ADJUSTMENTS



**CAUTION:** Disconnect spark plug wire from spark plug and place wire where it cannot come into contact with plug.

## TILLER

### TO ADJUST HANDLE HEIGHT (See Fig. 22)

Select handle height best suited for your tilling conditions. Handle height will be different when tiller digs into soil.

- First loosen handle lock lever.
- Handle can be positioned at different settings between "HIGH" and "LOW" positions.
- Retighten handle lock lever securely after adjusting.

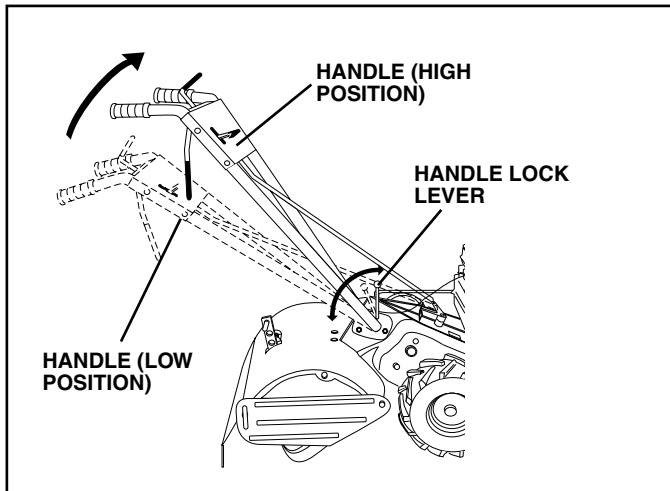


FIG. 22

## TIRE CARE



**CAUTION:** When mounting tires, unless beads are seated, overinflation can cause an explosion.

- Maintain 20 PSI (1.4 kg/cm<sup>2</sup>) of tire pressure. If tire pressures are not equal, tiller will pull to one side.
- Keep tires free of gasoline or oil which can damage rubber.

### TO REMOVE WHEEL (See Fig. 23)

- Place blocks under transmission to keep tiller from tipping.
- Remove hairpin clip and clevis pin from wheel.
- Remove wheel and tire.
- Repair tire and reassemble.

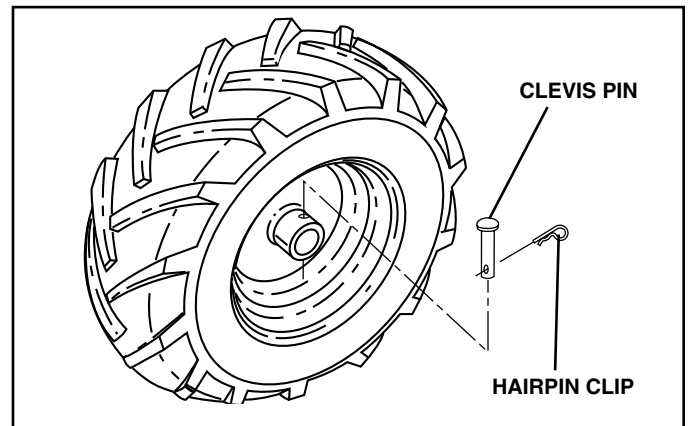


FIG. 23

# SERVICE AND ADJUSTMENTS

## TINE REPLACEMENT (See Figs. 24, 25 and 26)



**CAUTION: Tines are sharp. Wear gloves or other protection when handling tines.**

A badly worn tine causes your tiller to work harder and dig more shallow. Most important, worn tines cannot chop and shred organic matter as effectively nor bury it as deeply as good tines. A tine this worn needs to be replaced.

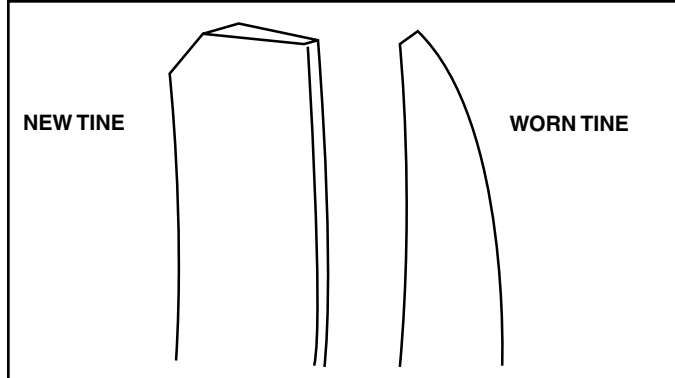


FIG. 24

- To maintain the superb tilling performance of this machine the tines should be checked for sharpness, wear, and bending, particularly the tines which are next to the transmission. If the gap between the tines exceeds 3-1/2 inches (9 cm), they should be replaced or straightened as necessary.
- New tines should be assembled as shown in Fig. 28. Sharpened tine edges will rotate rearward from above.

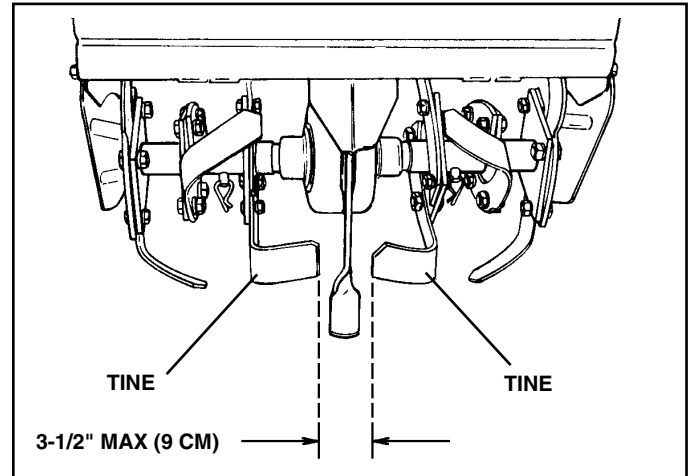


FIG. 25

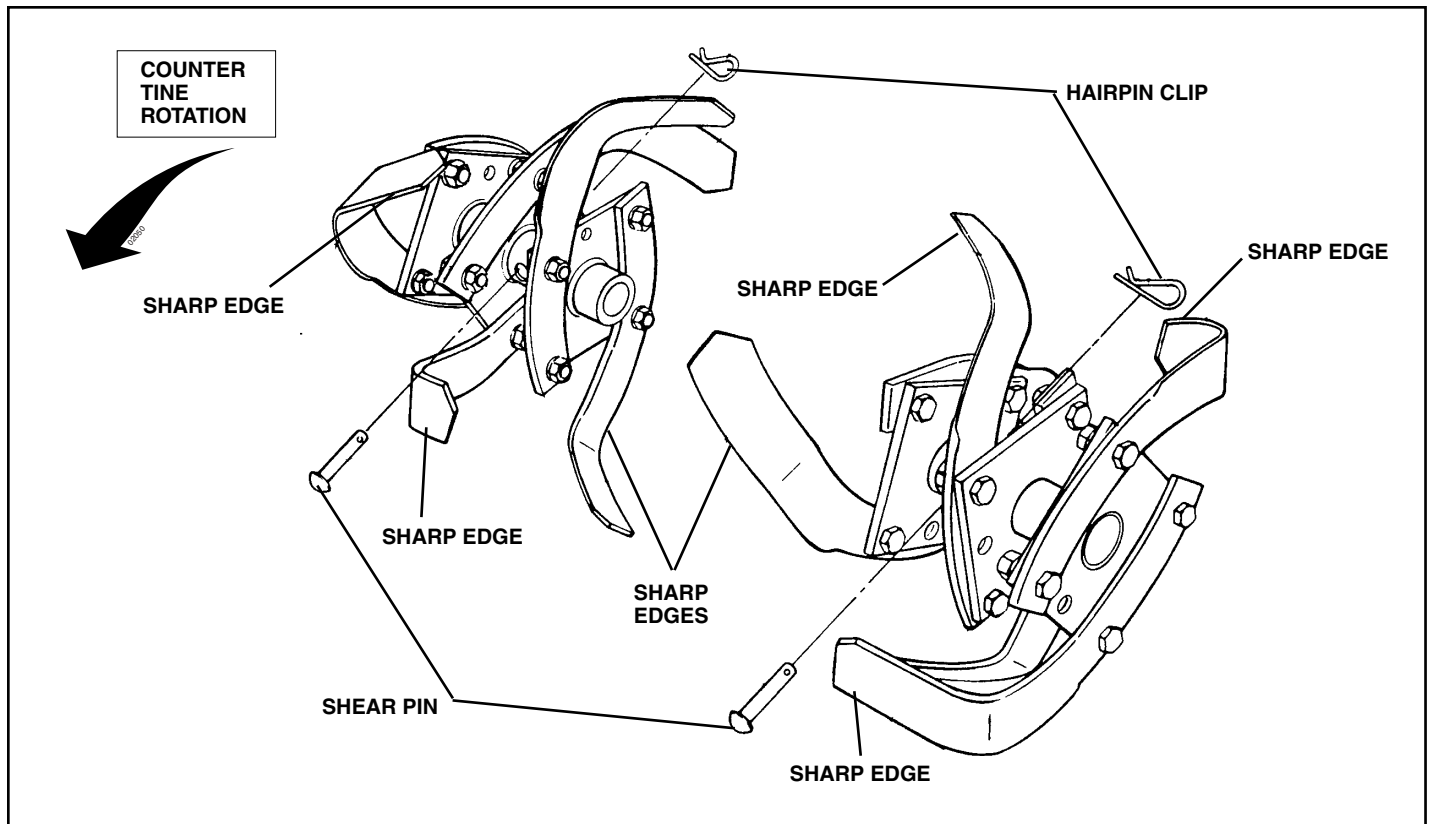


FIG. 26



# SERVICE AND ADJUSTMENTS

## TO REMOVE BELT GUARD

(See Fig. 27)

**NOTE:** For ease of removal, remove hairpin clip and clevis pin from left wheel. Pull wheel out from tiller about 1 inch (2.5 cm).

- Remove two (2) screws from side of belt guard.
- Remove hex nut and washer from bottom of belt guard (located behind wheel).
- Pull belt guard out and away from unit.
- Replace belt guard by reversing above procedure.

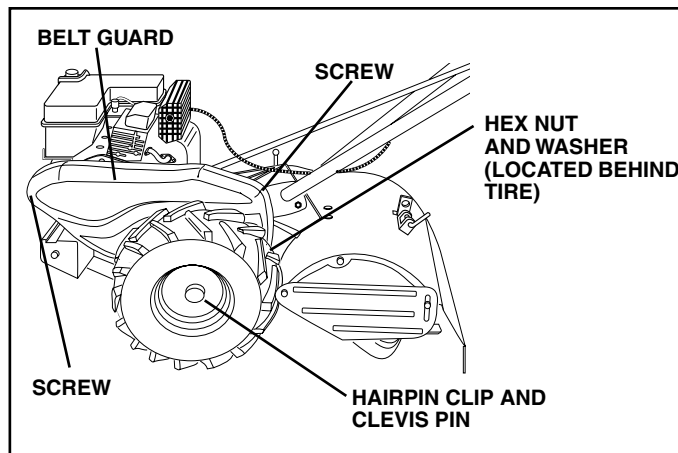


FIG. 27

## TO REPLACE GROUND DRIVE BELT

(See Figs. 27 and 28)

- Remove belt guard as described in "TO REMOVE BELT GUARD".
- Remove old belt by slipping off engine pulley first then remove from transmission pulley.
- Place new belt in groove of transmission pulley and into engine pulley. BELT MUST BE IN GROOVE ON TOP OF IDLER PULLEY. NOTE POSITION OF BELT TO GUIDES.
- Check belt adjustment as described below.
- Replace belt guard.
- Reposition wheel and replace clevis pin and hairpin clip.

## GROUND DRIVE BELT ADJUSTMENT (See Fig. 28)

For proper belt tension, the extension spring should have about 5/8 inch (16 mm) stretch when drive control bar is in "ENGAGED" position. This tension can be attained as follows:

- Loosen cable clip screw securing the drive control cable.
- Slide cable forward for less tension and rearward for more tension until about 5/8 inch (16 mm) stretch is obtained while the drive control bar is engaged.
- Tighten cable clip screw securely.

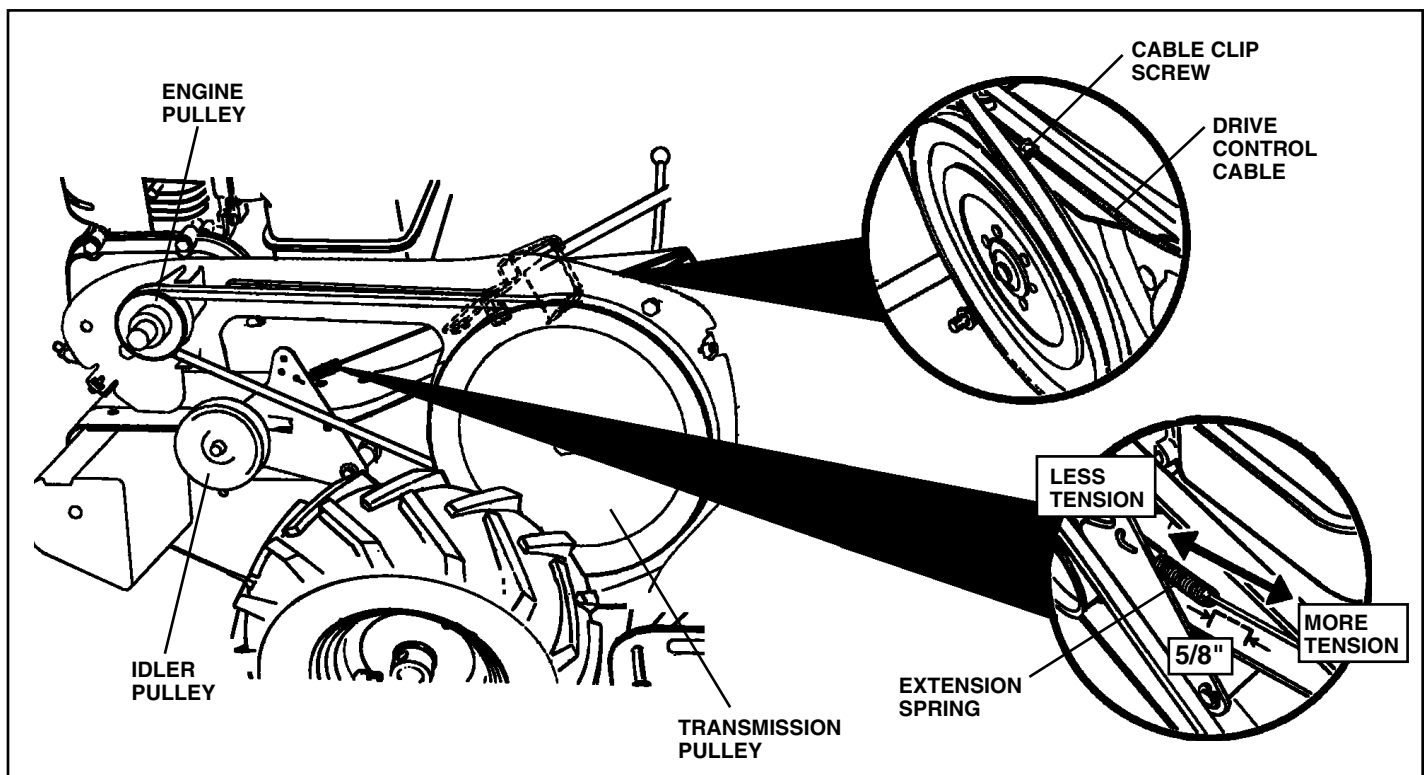


FIG. 28

# SERVICE AND ADJUSTMENTS

## ENGINE

### TO ADJUST THROTTLE CONTROL CABLE (See Fig. 29)

The throttle control has been preset at the factory and adjustment should not be necessary. If adjustment is necessary, proceed as follows:

- With engine not running, move remote throttle control lever to "FAST" position.
- If throttle lever on engine touches high speed stop, no further adjustment is necessary. If throttle lever does not touch high speed stop, continue with adjustment procedure.
- Loosen cable clamp screw.
- Move throttle lever up until it touches high speed stop, and hold in this position.
- Tighten cable clamp screw securely.

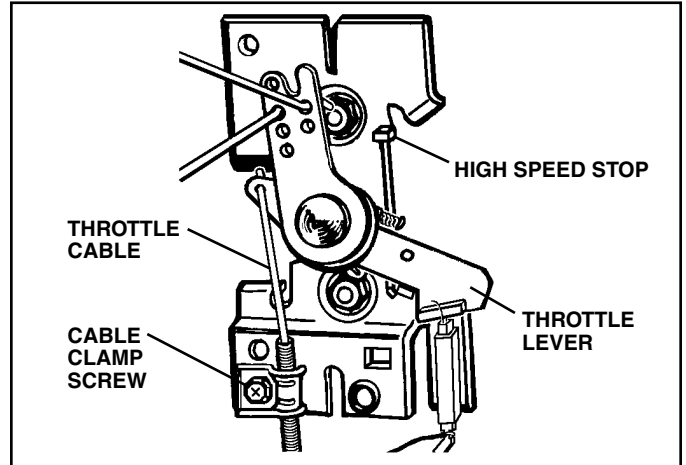


FIG. 29

### TO ADJUST CARBURETOR

The carburetor has been preset at the factory and adjustment should not be necessary. However, engine performance can be affected by differences in fuel, temperature, altitude or load. If the carburetor does need adjustment, contact your nearest authorized service center/department

**IMPORTANT:** NEVER TAMPER WITH THE ENGINE GOVERNOR, WHICH IS FACTORY SET FOR PROPER ENGINE SPEED. OVERSPEEDING THE ENGINE ABOVE THE FACTORY HIGH SPEED SETTING CAN BE DANGEROUS. IF YOU THINK THE ENGINE-GOVERNED HIGH SPEED NEEDS ADJUSTING, CONTACT YOUR NEAREST AUTHORIZED SERVICE CENTER/DEPARTMENT, WHICH HAS THE PROPER EQUIPMENT AND EXPERIENCE TO MAKE ANY NECESSARY ADJUSTMENTS.

# STORAGE

Immediately prepare your tiller for storage at the end of the season or if the unit will not be used for 30 days or more.



**WARNING: Never store the tiller with gasoline in the tank inside a building where fumes may reach an open flame or spark. Allow the engine to cool before storing in any enclosure.**

## TILLER

- Clean entire tiller (See “CLEANING” in the Maintenance section of this manual).
- Inspect and replace belts, if necessary (See belt replacement instructions in the Service and Adjustments section of this manual).
- Lubricate as shown in the Maintenance section of this manual.
- Be sure that all nuts, bolts and screws are securely fastened. Inspect moving parts for damage, breakage and wear. Replace if necessary.
- Touch up all rusted or chipped paint surfaces; sand lightly before painting.

## ENGINE

### FUEL SYSTEM

**IMPORTANT:** IT IS IMPORTANT TO PREVENT GUM DEPOSITS FROM FORMING IN ESSENTIAL FUEL SYSTEM PARTS SUCH AS THE CARBURETOR, FUEL FILTER, FUEL HOSE, OR TANK DURING STORAGE. ALSO, EXPERIENCE INDICATES THAT ALCOHOL BLENDED FUELS (CALLED GASOHOL OR USING ETHANOL OR METHANOL) CAN ATTRACT MOISTURE WHICH LEADS TO SEPARATION AND FORMATION OF ACIDS DURING STORAGE. ACIDIC GAS CAN DAMAGE THE FUEL SYSTEM OF AN ENGINE WHILE IN STORAGE.

- Drain the fuel tank.
- Start the engine and let it run until the fuel lines and carburetor are empty.
- Never use engine or carburetor cleaner products in the fuel tank or permanent damage may occur.
- Use fresh fuel next season.

**NOTE:** Fuel stabilizer is an acceptable alternative in minimizing the formation of fuel gum deposits during storage. Add stabilizer to gasoline in fuel tank or storage container. Always follow the mix ratio found on stabilizer container. Run engine at least 10 minutes after adding stabilizer to allow the stabilizer to reach the carburetor. Do not drain the gas tank and carburetor if using fuel stabilizer.

## ENGINE OIL

Drain oil (with engine warm) and replace with clean oil. (See “ENGINE” in the Maintenance section of this manual).

## CYLINDER(S)

- Remove spark plug.
- Pour 1 ounce (29 ml) of oil through spark plug hole into cylinder.
- Pull starter handle slowly several times to distribute oil.
- Replace with new spark plug.

## OTHER

- **Do not store gasoline from one season to another.**
- Replace your gasoline can if your can starts to rust. Rust and/or dirt in your gasoline will cause problems.
- If possible, store your unit indoors and cover it to give protection from dust and dirt.
- Cover your unit with a suitable protective cover that does not retain moisture. Do not use plastic. Plastic cannot breathe which allows condensation to form and will cause your unit to rust.

**IMPORTANT:** NEVER COVER TILLER WHILE ENGINE AND EXHAUST AREAS ARE STILL WARM.

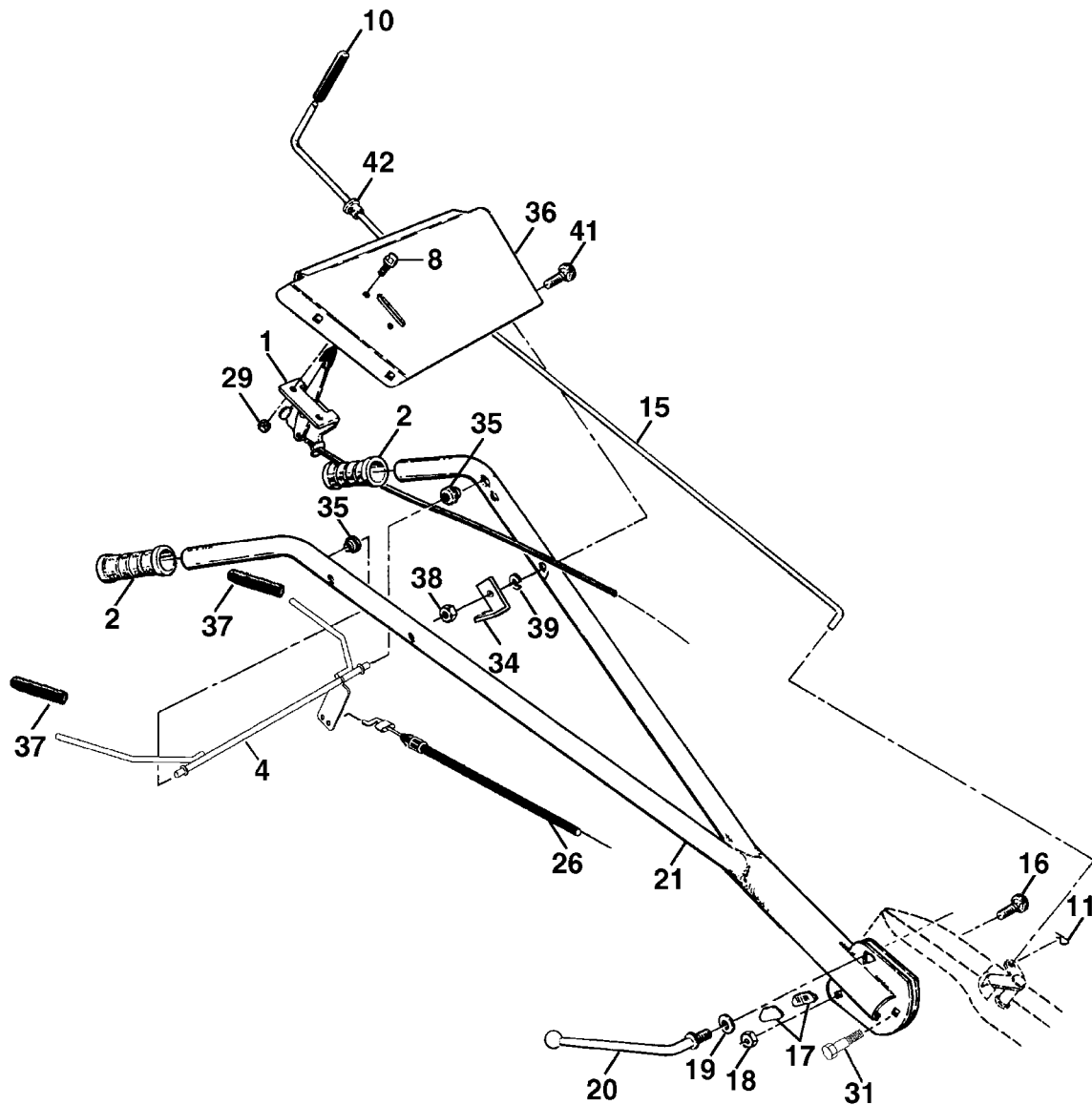
# TROUBLESHOOTING POINTS

| PROBLEM  | CAUSE  | CORRECTION   |
|--|--|--|
| <b>Will not start</b>  | <ol style="list-style-type: none"> <li>1. Out of fuel.</li> <li>2. Engine not "CHOKED" properly.</li> <li>3. Engine flooded.</li> <li>4. Dirty air cleaner.</li> <li>5. Water in fuel.</li> <li>6. Clogged fuel tank.</li> <li>7. Loose spark plug wire.</li> <li>8. Bad spark plug or improper gap.</li> <li>9. Carburetor out of adjustment.</li> </ol>  | <ol style="list-style-type: none"> <li>1. Fill fuel tank.</li> <li>2. See "TO START ENGINE" in Operation section.</li> <li>3. Wait several minutes before attempting to start.</li> <li>4. Clean or replace air cleaner cartridge.</li> <li>5. Drain fuel tank and carburetor, and refill tank with fresh gasoline.</li> <li>6. Remove fuel tank and clean.</li> <li>7. Make sure spark plug wire is seated properly on plug.</li> <li>8. Replace spark plug or adjust gap.</li> <li>9. Make necessary adjustments.</li> </ol>   |
| <b>Hard to start</b>   | <ol style="list-style-type: none"> <li>1. Throttle control not set properly.</li> <li>2. Dirty air cleaner.</li> <li>3. Bad spark plug or improper gap.</li> <li>4. Stale or dirty fuel.</li> <li>5. Loose spark plug wire.</li> <li>6. Carburetor out of adjustment.</li> </ol>   | <ol style="list-style-type: none"> <li>1. Place throttle control in "FAST" position.</li> <li>2. Clean or replace air cleaner cartridge.</li> <li>3. Replace spark plug or adjust gap.</li> <li>4. Drain fuel tank and refill with fresh gasoline.</li> <li>5. Make sure spark plug wire is seated properly on plug.</li> <li>6. Make necessary adjustments.</li> </ol>  |
| <b>Loss of power</b>   | <ol style="list-style-type: none"> <li>1. Engine is overloaded.</li> <li>2. Dirty air cleaner.</li> <li>3. Low oil level/dirty oil.</li> <li>4. Faulty spark plug.</li> <li>5. Oil in fuel.</li> <li>6. Stale or dirty fuel.</li> <li>7. Water in fuel.</li> <li>8. Clogged fuel tank.</li> <li>9. Spark plug wire loose.</li> <li>10. Dirty engine air screen.</li> <li>11. Dirty/clogged muffler.</li> <li>12. Carburetor out of adjustment.</li> <li>13. Poor compression.</li> </ol> | <ol style="list-style-type: none"> <li>1. Set depth stake for shallower tilling.</li> <li>2. Clean or replace air cleaner cartridge.</li> <li>3. Check oil level/change oil.</li> <li>4. Clean and regap or change spark plug.</li> <li>5. Drain and clean fuel tank and refill, and clean carburetor.</li> <li>6. Drain fuel tank and refill with fresh gasoline.</li> <li>7. Drain fuel tank and carburetor, and refill tank with fresh gasoline.</li> <li>8. Remove fuel tank and clean.</li> <li>9. Connect and tighten spark plug wire.</li> <li>10. Clean engine air screen.</li> <li>11. Clean/replace muffler.</li> <li>12. Make necessary adjustments.</li> <li>13. Contact an authorized service center/department.</li> </ol> |
| <b>Engine overheats</b>  | <ol style="list-style-type: none"> <li>1. Low oil level/dirty oil.</li> <li>2. Dirty engine air screen.</li> <li>3. Dirty engine.</li> <li>4. Partially plugged muffler.</li> <li>5. Improper carburetor adjustment.</li> </ol>  | <ol style="list-style-type: none"> <li>1. Check oil level/change oil.</li> <li>2. Clean engine air screen.</li> <li>3. Clean cylinder fins, air screen, and muffler area.</li> <li>4. Remove and clean muffler.</li> <li>5. Adjust carburetor to richer position.</li> </ol>   |
| <b>Excessive bounce/<br/>difficult handling</b>                | <ol style="list-style-type: none"> <li>1. Ground too dry and hard.</li> </ol>  | <ol style="list-style-type: none"> <li>1. Moisten ground or wait for more favorable soil conditions.</li> </ol>  |
| <b>Soil balls up or clumps</b>                                 | <ol style="list-style-type: none"> <li>1. Ground too wet.</li> </ol>   | <ol style="list-style-type: none"> <li>1. Wait for more favorable soil conditions.</li> </ol>  |
| <b>Engine runs but tiller<br/>won't move</b>                   | <ol style="list-style-type: none"> <li>1. Drive control bar is not engaged.</li> <li>2. V-belt not correctly adjusted.</li> <li>3. V-belt is off pulley(s).</li> </ol>   | <ol style="list-style-type: none"> <li>1. Engage drive control.</li> <li>2. Inspect/adjust V-belt.</li> <li>3. Inspect V-belt.</li> </ol>  |
| <b>Engine runs but labors<br/>when tilling</b>                 | <ol style="list-style-type: none"> <li>1. Tilling too deep.</li> <li>2. Throttle control not properly adjusted.</li> <li>3. Carburetor out of adjustment.</li> </ol>   | <ol style="list-style-type: none"> <li>1. Set depth stake for shallower tilling.</li> <li>2. Check throttle control setting.</li> <li>3. Make necessary adjustments.</li> </ol>  |
| <b>Tines will not rotate</b>                                   | <ol style="list-style-type: none"> <li>1. Shear pin(s) broken.</li> </ol>  | <ol style="list-style-type: none"> <li>1. Replace shear pin(s).</li> </ol>   |
| <b>Hard to shift into gear</b>                                 | <ol style="list-style-type: none"> <li>1. Gears not timed.</li> </ol>  | <ol style="list-style-type: none"> <li>1. Briefly engage drive control bar and release or rock tiller forward and backward until are able to shift gears.</li> </ol>   |
| <b>Tiller shuts off when<br/>drive control bar<br/>engaged</b> | <ol style="list-style-type: none"> <li>1. Shift lever set in between counter rotating till position and forward rotating till position.</li> <li>2. Tines jammed.</li> </ol>   | <ol style="list-style-type: none"> <li>1. Shift to either counter rotating till position or forward rotating till position.</li> <li>2. Clear tines.</li> </ol>  |

# REPAIR PARTS

## TILLER - - MODEL NUMBER WET6500A

### HANDLE ASSEMBLY



| KEY NO. | PART NO. | DESCRIPTION                     |
|---------|----------|---------------------------------|
| 1       | 175769   | Control, Throttle               |
| 2       | 150744   | Grip, Handle                    |
| 4       | 159227   | Bar, Control                    |
| 8       | 71191008 | Screw, Pan Hd. #10-24           |
| 10      | 8389J    | Grip, Handle                    |
| 11      | 4497H    | Clip, Hairpin                   |
| 15      | 108281X  | Rod, Shift                      |
| 16      | 72110608 | Bolt, Carriage 3/8-16 x 1 Gr. 5 |
| 17      | 109229X  | Lock, Handle                    |
| 18      | 73680600 | Nut Crownlock 3/8-16 Unc        |
| 19      | 19131611 | Washer 13/32 x 1 x 11 Ga.       |
| 20      | 109228X  | Lever, Lock, Handle             |
| 21      | 150217   | Handle                          |

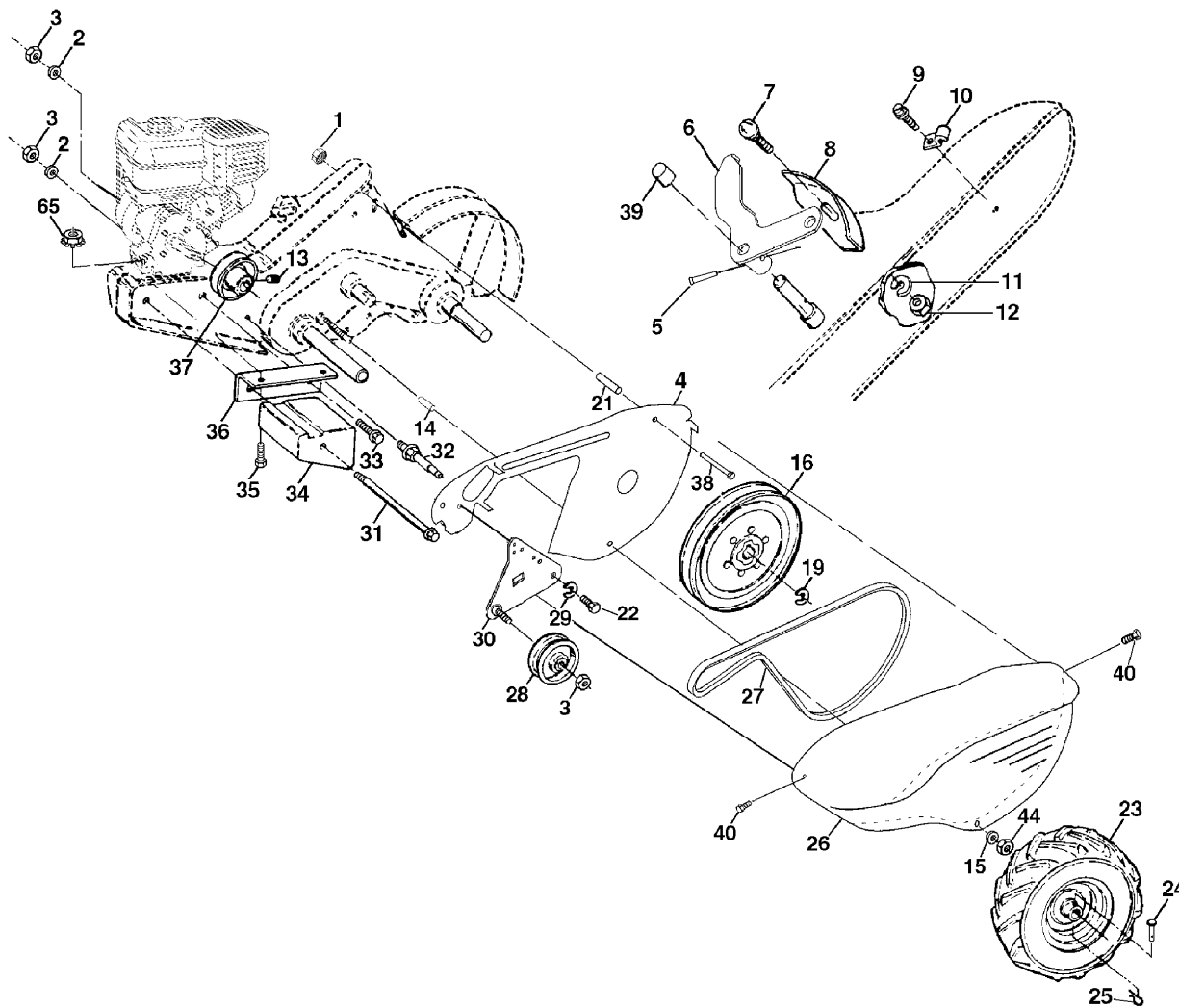
| KEY NO. | PART NO.   | DESCRIPTION                    |
|---------|------------|--------------------------------|
| 26      | 159232     | Cable, Clutch                  |
| 29      | 73731000   | Nut, Keps #10-24 Unc           |
| 31      | 150696     | Bolt, Pivot                    |
| 34      | 145821     | Bracket, Clutch Cable          |
| 35      | 146480     | Grommet, Handle                |
| 36      | 180456X550 | Bracket, Handle                |
| 37      | 102604X    | Grip, Bar Control              |
| 39      | 10040500   | Washer, Lock 5/16              |
| 38      | 73800500   | Locknut 5/16-18                |
| 41      | 72110514   | Bolt, Carriage 5/16-18 x 1-3/4 |
| 42      | 121248X    | Bushing, Snap                  |

**NOTE:** All component dimensions given in U.S. inches.  
1 inch = 25.4 mm

# REPAIR PARTS

## TILLER - - MODEL NUMBER WET6500A

### MAINFRAME, LEFT SIDE



| KEY NO. | PART NO.   | DESCRIPTION                                   |
|---------|------------|---|
| 1       | 73510500   | Nut, Keps 5/16-18                             |
| 2       | 10040600   | Washer, Lock 3/8                              |
| 3       | 73220600   | Nut, Hex 3/8-16                               |
| 4       | 170127     | Shield, Inner, Belt Guard                     |
| 5       | 164329     | Pin Spirol Flared                             |
| 6       | 110111X    | Lever, Shift                                  |
| 7       | 72110404   | Bolt, Carriage 1/4-20 x 1/2 Gr. 5             |
| 8       | 8700J      | Plate, Shift Indicator                        |
| 9       | 86777      | Screw, Hex, Washer Head, Slotted #10-24 x 1/2 |
| 10      | 9484R      | Clip  |
| 11      | 10040400   | Washer, Lock 1/4                              |
| 12      | 73220400   | Nut, Hex 1/4-20                               |
| 13      | 23230506   | Screw, Set, Hex 5/16-18 x 3/8                 |
| 14      | 156117     | Spacer, Split 0.327 x 0.42 x 1.220            |
| 15      | 19111116   | Washer 11/32 x 11/16 x 16 Ga.                 |
| 16      | 145102     | Shaive, Transmission                          |
| 19      | 12000028   | Ring, Retainer                                |
| 21      | 110652X    | Spacer, Split 0.327 x 0.42 x 2.09             |
| 22      | 74770508   | Bolt Hex 5/16-24 x 1/2                        |
| 23      | 102190X    | Tire  |
|         | 183122X624 | Rim   |
|         | 795R       | Tire Valve                                    |

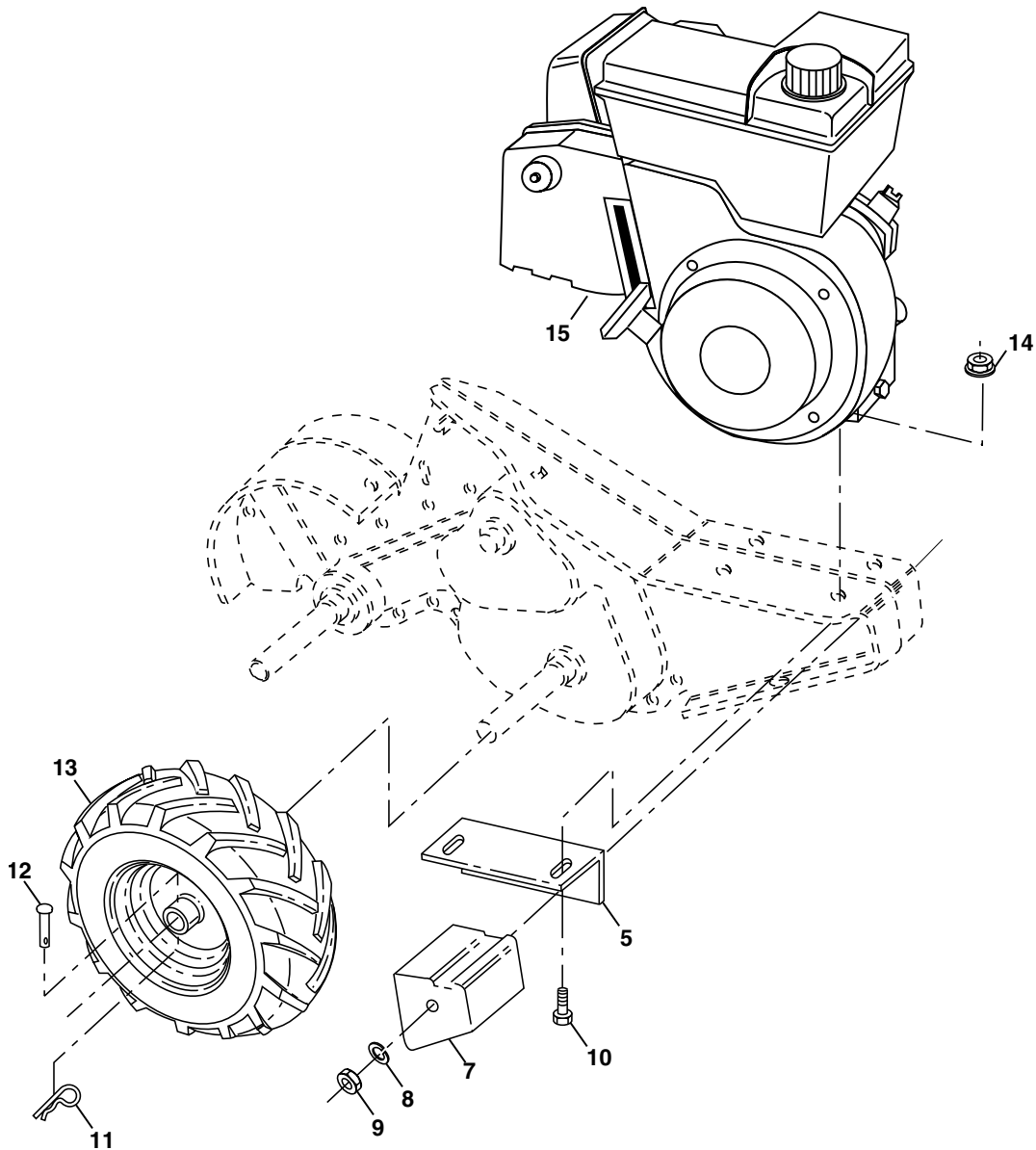
| KEY NO. | PART NO.   | DESCRIPTION                     |
|---------|------------|---------------------------------|
| 24      | 126875X    | Rivet, Drilled                  |
| 25      | 4497H      | Clip, Hairpin                   |
| 26      | 165501X550 | Guard, Belt                     |
| 27      | 132801     | Belt, V                         |
| 28      | 104679X    | Pulley, Idler                   |
| 29      | 12000032   | Ring, Klip                      |
| 30      | 159229     | Bracket, Idler                  |
| 31      | 102384X    | Bolt, Hex 5/16-16 x 12          |
| 32      | 102141X    | Shaft, Idler Arm                |
| 33      | 74760616   | Bolt, Hex 3/8-16 x 1            |
| 34      | 102383X    | Counterweight, L. H.            |
| 35      | 74760524   | Bolt, Hex 5/16-18 x 1-1/2       |
| 36      | 102331X    | Bracket, Reinforcement, L. H.   |
| 37      | 130812     | Sheave, Engine                  |
| 38      | 74760544   | Bolt, Hex 5/16-18 x 2-3/4       |
| 39      | 140062     | Cap, Plunger                    |
| 40      | 170488     | Screw, Hex Wsh Slt #10-24 x .50 |
| 44      | 73800500   | Nut, Lock 5/16-18               |
| 65      | 73970500   | Nut, Lock Hex Flange            |

**NOTE:** All component dimensions given in U.S. inches.  
1 inch = 25.4 mm

# REPAIR PARTS

## TILLER - - MODEL NUMBER WET6500A

### MAINFRAME, RIGHT SIDE



| KEY NO. | PART NO. | DESCRIPTION               |
|---------|----------|---------------------------|
| 5       | 102332X  | Bracket, Reinforcement    |
| 7       | 102173X  | Counter Weight, R.H.      |
| 8       | 10040600 | Washer, Lock 3/8          |
| 9       | 73220600 | Nut, Hex 3/8-16           |
| 10      | 74760524 | Bolt, Hex 5/16-18 x 1-1/2 |
| 11      | 4497H    | Clip, Hairpin             |
| 12      | 126875X  | Rivet, Drilled            |

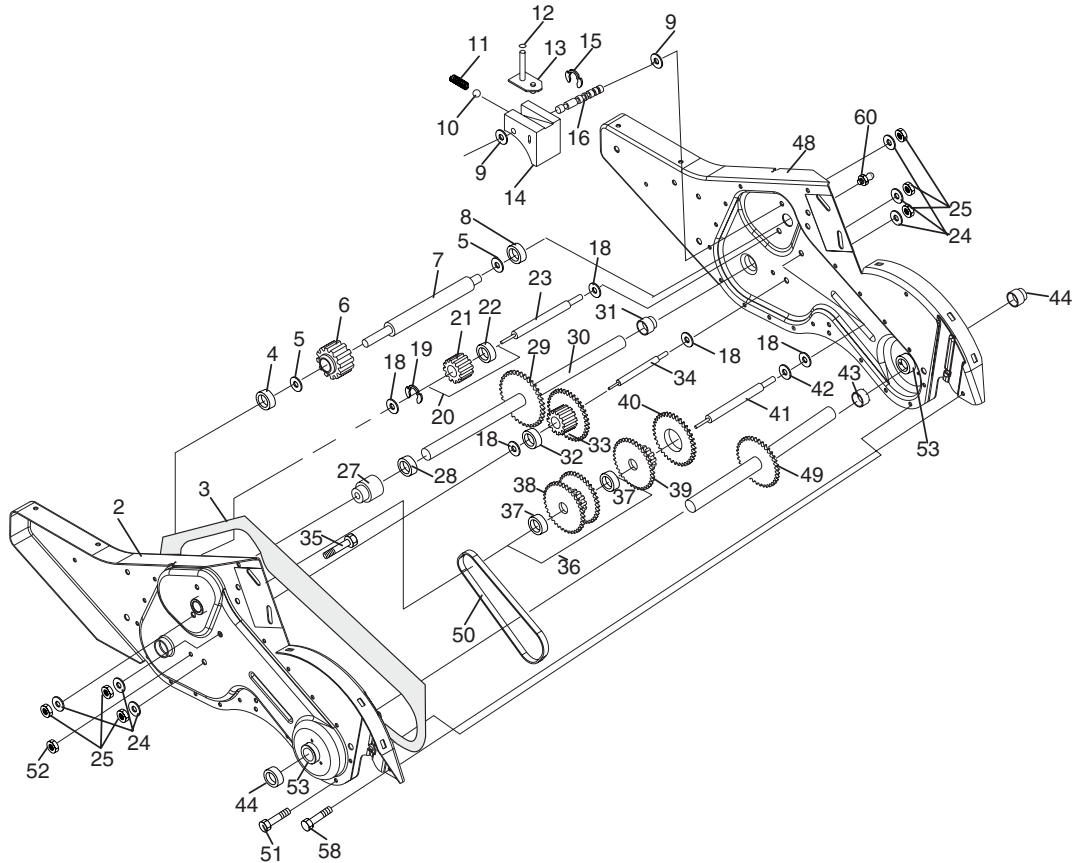
| KEY NO. | PART NO.   | DESCRIPTION   |
|---------|------------|---|
| 13      | 102190X    | Tire  |
|         | 183122X624 | Rim   |
|         | 795R       | Tire Valve  |
| 14      | 73970500   | Nut, Hex Flange   |
| 15      | -----      | Engine, Tec Model No. OHH65<br>(Order parts from engine Manufacturer) |

**NOTE:** All component dimensions given in U.S. inches.  
1 inch = 25.4 mm

# REPAIR PARTS

## TILLER - - MODEL NUMBER WET6500A

### TRANSMISSION



transmission\_1.95b

| KEY NO. | PART NO. | DESCRIPTION   | KEY NO. | PART NO. | DESCRIPTION   |
|---------|----------|---|---------|----------|---|
| 1       | 180677   | Transmission Assembly (Includes Key Nos. 2-53)              | 29      | 102134X  | Chain #35-50 Pitch  |
| 2       | 180627   | Gearcase, L.H. w/Bearing (Includes Key No. 4)               | 30      | 150737   | Ground Shaft Assembly                                     |
| 3       | 161963   | Gasket, Gearcase  | 31      | 143008   | Bearing, Shaft, Ground Drive                              |
| 4       | 5020J    | Bearing, Needle   | 32      | 106388X  | Spacer 0.70 x 1.00 x 1.150                                |
| 5       | 1370H    | Washer, Thrust 5/8 x 1.10 x 1/32                            | 33      | 102121X  | Sprocket and Gear Assembly                                |
| 6       | 137335   | Pinion, Input   | 34      | 102112X  | Shaft, Reduction (2nd)                                    |
| 7       | 145101   | Shaft, Input  | 35      | 102101X  | Screw, Whiz, Lock 5/16-18 x 3-1/2                         |
| 8       | 4895H    | Bearing, Needle   | 36      | 154355   | Sprocket Assembly w/Bearing (Includes Key Nos. 37 and 38) |
| 9       | 154467   | Washer, Seal  | 37      | 4422J    | Bearing, Needle   |
| 10      | 7392M    | Ball, Steel   | 38      | 154356   | Sprocket, Tine  |
| 11      | 100371K  | Spring, Shift, Fork   | 39      | 105345X  | Gear, Cluster, Red 1st & 2nd                              |
| 12      | 106160X  | O-Ring  | 40      | 105346X  | Gear, Reverse   |
| 13      | 142145   | Arm, Shift  | 41      | 8358J    | Shaft, Reduction (1st)                                    |
| 14      | 8353J    | Fork, Shift   | 42      | 4220R    | Washer, Thrust  |
| 15      | 12000039 | Ring, Klip  | 43      | 106146X  | Spacer 1.01 x 1.75 x 0.760                                |
| 16      | 154466   | Shaft, Shift  | 44      | 155236   | Seal Asm, Oil   |
| 18      | 4358J    | Washer  | 48      | 180631   | Gearcase, R.H. w/Bearing (Includes Key No. 8)             |
| 19      | 12000040 | Ring, Klip  | 49      | 132688   | Shaft, Tine   |
| 20      | 102114X  | Gear, Assembly, Reverse Idler (Includes Key Nos. 21 and 22) | 50      | 106147X  | Chain, Roller #50-50 Pitch                                |
| 21      | 102115X  | Gear, Reverse Idler   | 51      | 17720408 | Screw 1/4-20 x 1/2  |
| 22      | 6803J    | Bearing, Needle   | 52      | 73220500 | Nut, Hex 5/16-18  |
| 23      | 102111X  | Shaft, Reverse Idler  | 53      | 165140   | Kit, Bearing, Tine Shaft                                  |
| 24      | 10040700 | Washer, Lock 7/16   | 58      | 179520   | Bolt Shoulder 1/4-20 Unc x .875                           |
| 25      | 73610700 | Nut, Hex 7/16-20  | 60      | 6855M    | Fitting Grease  |
| 27      | 143009   | Bearing, Shaft, Ground Drive                                | --      | 6066J    | Grease, Plastilube #1                                     |
| 28      | 106390X  | Spacer 0.765 x 1.125 x 1.23                                 |         |          |   |

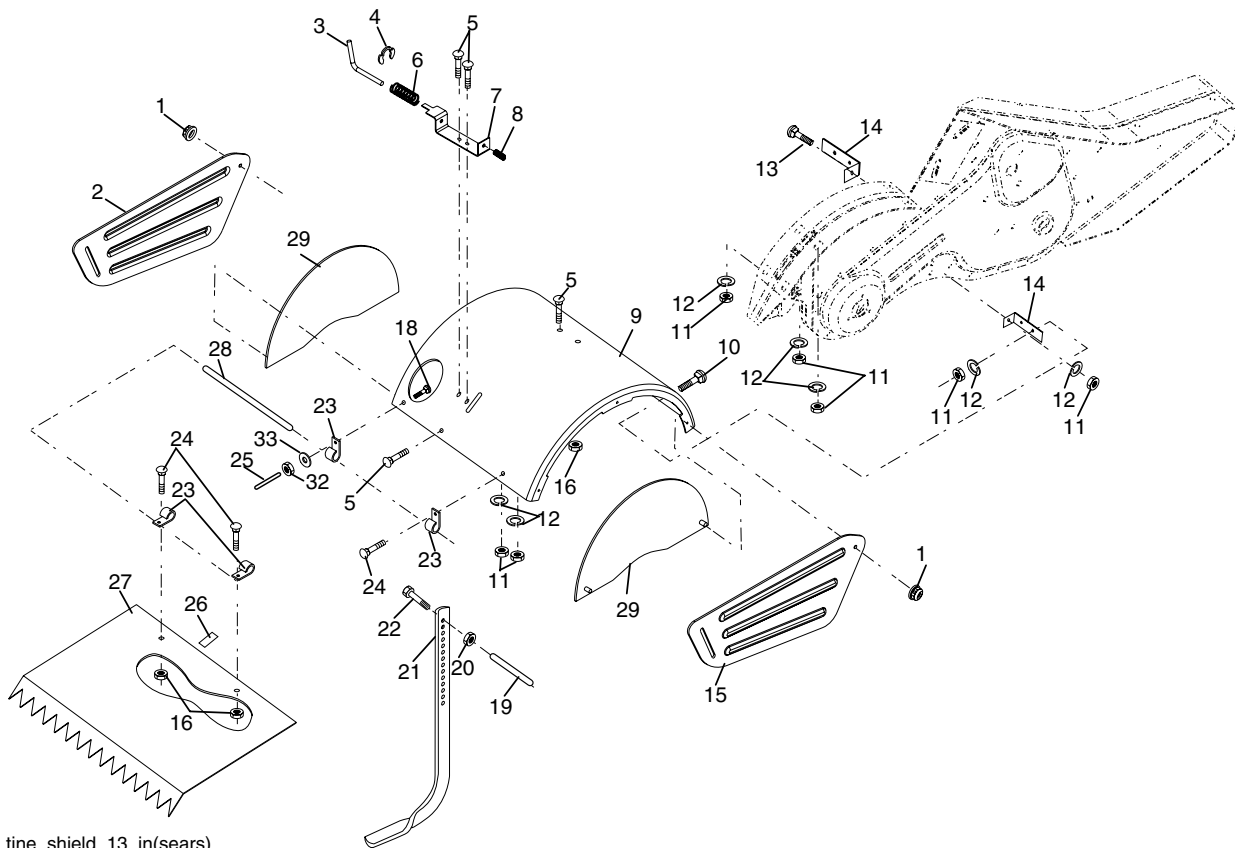
**NOTE:** All component dimensions given in U.S. inches.  
1 inch = 25.4 mm



# REPAIR PARTS

## TILLER - - MODEL NUMBER WET6500A

### TINE SHIELD



tine\_shield\_13\_in(sears)

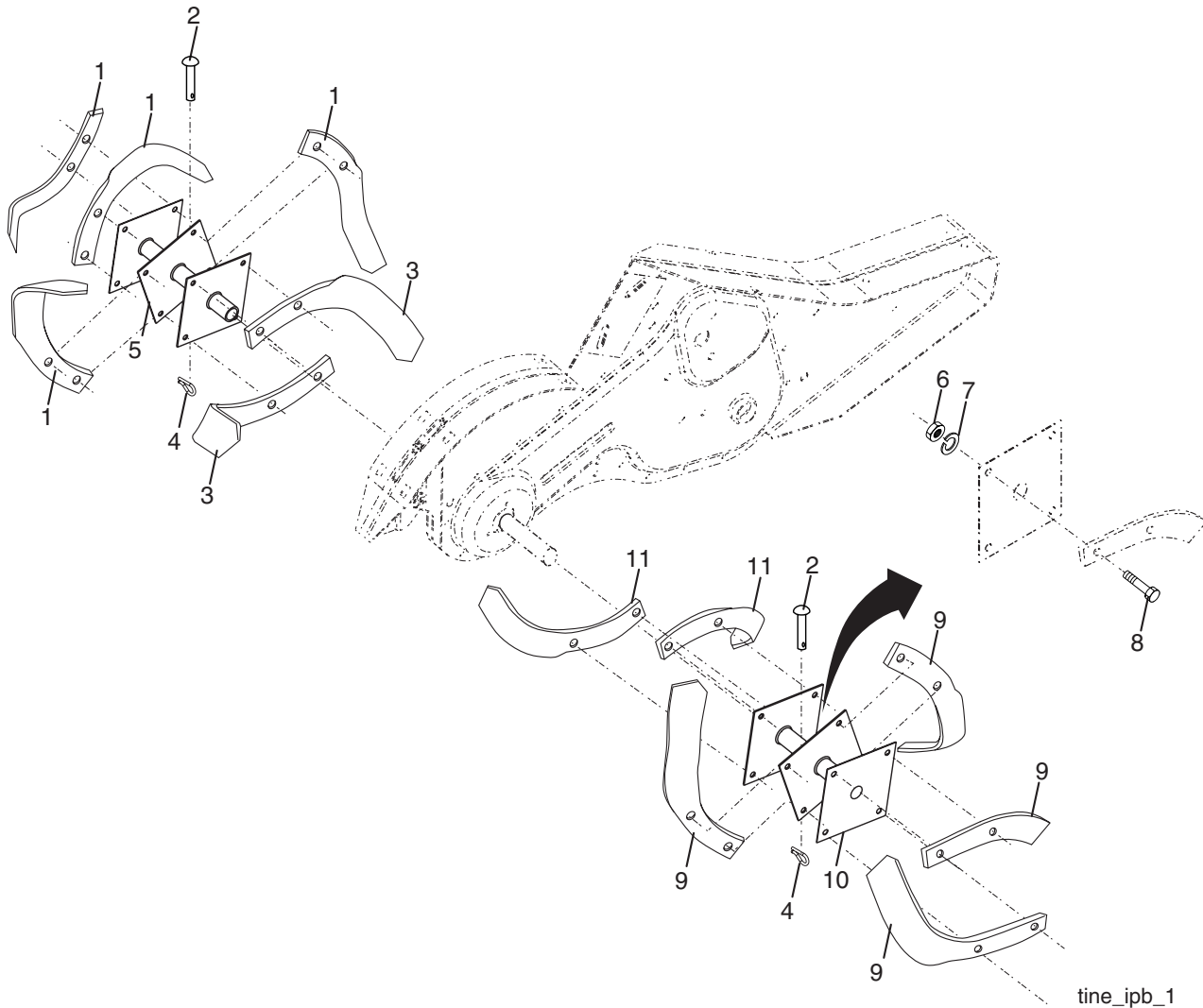
| KEY NO. | PART NO.   | DESCRIPTION                    | KEY NO. | PART NO.   | DESCRIPTION                         |
|---------|------------|--------------------------------|---------|------------|-------------------------------------|
| 1       | 73900500   | Nut, Flange 5/16-18            | 18      | 72040410   | Bolt, Carriage 1/4-20 x 1-1/4 Gr. 5 |
| 2       | 161415X550 | Shield, Side, Outer L. H.      | 19      | 102701X    | Grip                                |
| 3       | 8393J      | Pin, Stake, Depth              | 20      | 73220600   | Nut, Hex 3/8-16                     |
| 4       | 12000035   | Ring, Klip                     | 21      | 102156X    | Stake, Depth                        |
| 5       | 180847     | Bolt, Carriage 5/16-18 x 3/4   | 22      | 74930632   | Bolt, Hex 3/8-16 x 2                |
| 6       | 8394J      | Spring                         | 23      | 4440J      | Hinge                               |
| 7       | 8392J      | Bracket, Latch                 | 24      | 72140404   | Bolt, Carriage 1/4-20 x 1/2 Gr. 5   |
| 8       | 109230X    | Spring, Depth Stake            | 25      | 6712J      | Cap, Vinyl                          |
| 9       | 102326X550 | Shield, Tine                   | 26      | 109227X    | Pad, Idler                          |
| 10      | 72140508   | Bolt 5/16-18 x 1               | 27      | 102695X550 | Shield, Leveling                    |
| 11      | 73220500   | Nut, Hex 5/16-18               | 28      | 120588X    | Pin, Hinge                          |
| 12      | 10040500   | Washer, Lock 5/16              | 29      | 104085X550 | Shield, Side                        |
| 13      | 72110510   | Bolt, Carriage 5/16-18 x 1-1/4 | 32      | 73220400   | Nut Fin Hex 1/4-20 Unc              |
| 14      | 124343X    | Bracket, Shield Tine           | 33      | 10040400   | Washer Lock Hvy Helical 1/4         |
| 15      | 161414X550 | Shield, Side, Outer R.H.       |         |            |                                     |
| 16      | 73900400   | Nut, Hex Flange 1/4-20 Unc     |         |            |                                     |

**NOTE:** All component dimensions given in U.S. inches.  
1 inch = 25.4 mm

# REPAIR PARTS

## TILLER - - MODEL NUMBER WET6500A

### TINE ASSEMBLY



| KEY NO. | PART NO. | DESCRIPTION                   |
|---------|----------|-------------------------------|
| 1       | 4459J    | Tine, Outer, L.H.             |
| 2       | 132673   | Clevis Pin                    |
| 3       | 6554J    | Tine, Inner, L.H.             |
| 4       | 3146R    | Clip, Hairpin                 |
| 5       | 132727   | Assembly, Hub and Plate, L.H. |
| 6       | 73610600 | Nut, Hex 3/8-24               |
| 7       | 10040600 | Washer, Lock 3/8              |

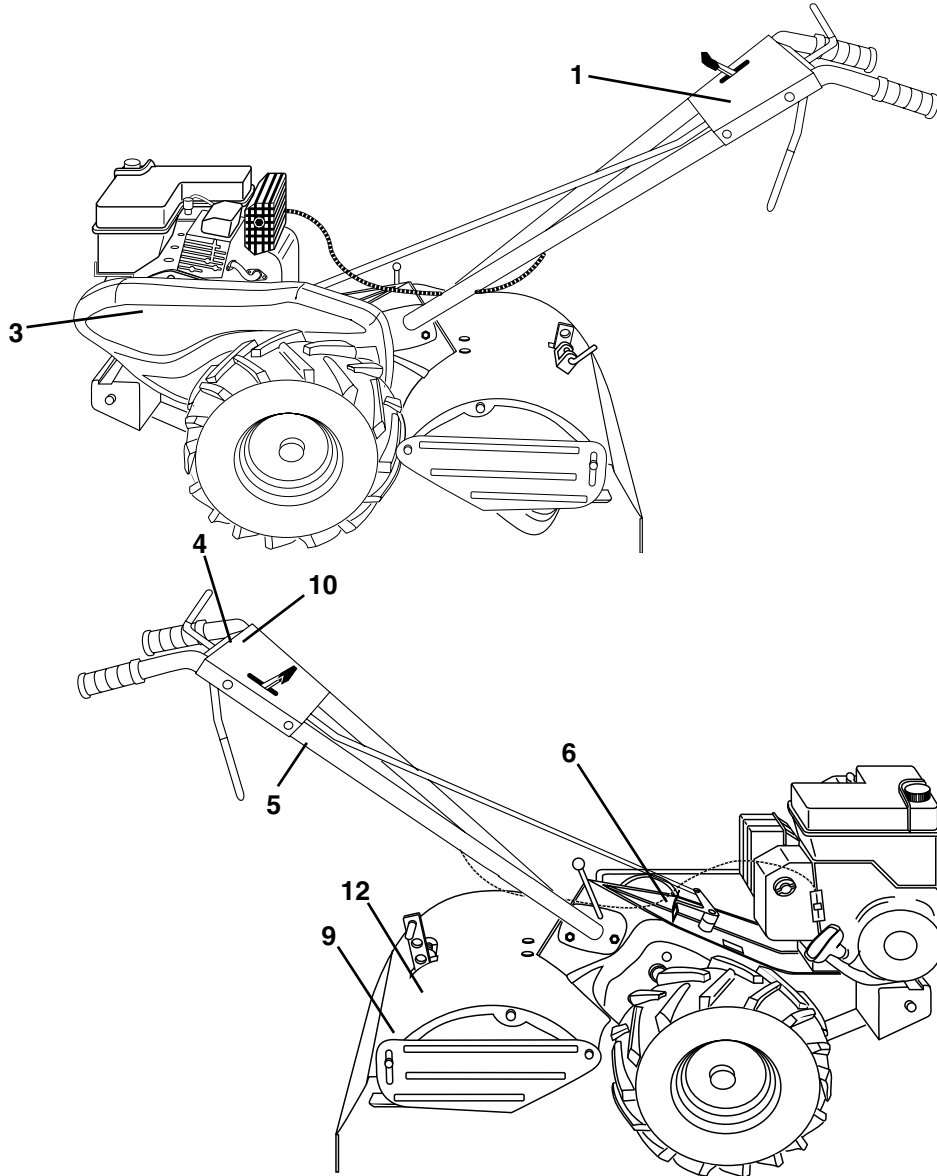
| KEY NO. | PART NO. | DESCRIPTION                   |
|---------|----------|-------------------------------|
| 8       | 74610616 | Bolt, Hex 3/8-24 x 1          |
| 9       | 4460J    | Tine, Outer, R.H.             |
| 10      | 132728   | Assembly, Hub and Plate, R.H. |
| 11      | 6555J    | Tine, Inner, R.H.             |

**NOTE:** All component dimensions given in U.S. inches.  
1 inch = 25.4 mm

# REPAIR PARTS

## TILLER - - MODEL NUMBER WET6500A

### DECALS



| KEY NO. | PART NO. | DESCRIPTION                    |
|---------|----------|--------------------------------|
| 1       | 162846   | Decal, Logo                    |
| 3       | 186761   | Decal, Logo                    |
| 4       | 143678   | Decal, Instruction, Tilling    |
| 5       | 141907   | Decal, Hand Placement          |
| 6       | 102180X  | Decal, Shift Indicator         |
| 9       | 141906   | Decal, Warning, Rotating Tines |
| 10      | 156199   | Decal, Reverse                 |
| 12      | 162215   | Decal, Tine Shield Wrng Dom    |
| --      | 186100   | Manual, Owner's (English)      |
| --      | 186101   | Manual, Owner's (Spanish)      |

## LIMITED WARRANTY

The Manufacturer warrants to the original consumer purchaser that this product as manufactured is free from defects in materials and workmanship. For a period of two (2) years from date of purchase by the original consumer purchaser, we will repair or replace, at our option, without charge for parts or labor incurred in replacing parts, any part which we find to be defective due to materials or workmanship. This Warranty is subject to the following limitations and exclusions.

1. This warranty does not apply to the engine or components parts thereof. Please refer to the applicable manufacturer's warranty on these items.
2. Transportation charges for the movement of any power equipment unit or attachment are the responsibility of the purchaser. Transportation charges for any parts submitted for replacement under this warranty must be paid by the purchaser unless such return is requested by Electrolux Home Products.
3. The Warranty period for any products used for rental or commercial purposes is limited to 90 days from the date of original purchase.
4. This Warranty applies only to products which have been properly assembled, adjusted, operated, and maintained in accordance with the instructions furnished. This Warranty does not apply to any product which has been subjected to alteration, misuse, abuse, improper assembly or installation, delivery damage, or to normal wear of the product.
5. Exclusions: Excluded from this Warranty are belts, tines, tine adapters, normal wear, normal adjustments, standard hardware and normal maintenance.
6. In the event you have a claim under this Warranty, you must return the product to an authorized service dealer.

Should you have any unanswered questions concerning this Warranty, please contact:

Electrolux Home Products, Inc.

Outdoor Products Customer Service Dept.

250 Bobby Jones Expressway

Augusta, GA 30909 USA

In Canada contact:

Electrolux Canada Corp.

7075 Ordan Drive

Mississauga, Ontario

L5T 1K6

giving the model number, serial number and date of purchase of your product and the name and address of the authorized dealer from whom it was purchased.

THIS WARRANTY DOES NOT APPLY TO INCIDENTAL OR CONSEQUENTIAL DAMAGES AND ANY IMPLIED WARRANTIES ARE LIMITED TO THE SAME TIME PERIODS STATED HEREIN FOR OUR EXPRESSED WARRANTIES. Some areas do not allow the limitation of consequential damages or limitations of how long an implied Warranty may last, so the above limitations or exclusions may not apply to you. This Warranty gives you specific legal rights, and you may have other rights which vary from locale to locale.

This is a limited Warranty within the meaning of that term as defined in the Magnuson-Moss Act of 1975.

# WEED EATER®

01029-weedeater

## Free Manuals Download Website

<http://myh66.com>

<http://usermanuals.us>

<http://www.somanuals.com>

<http://www.4manuals.cc>

<http://www.manual-lib.com>

<http://www.404manual.com>

<http://www.luxmanual.com>

<http://aubethermostatmanual.com>

Golf course search by state

<http://golfingnear.com>

Email search by domain

<http://emailbydomain.com>

Auto manuals search

<http://auto.somanuals.com>

TV manuals search

<http://tv.somanuals.com>