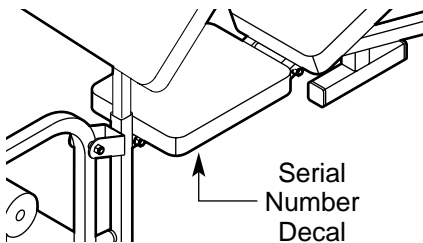


WEIDER[®] PRO 230

Model No. 831.150340

Serial No. _____

Write the serial number in the space above for future reference.

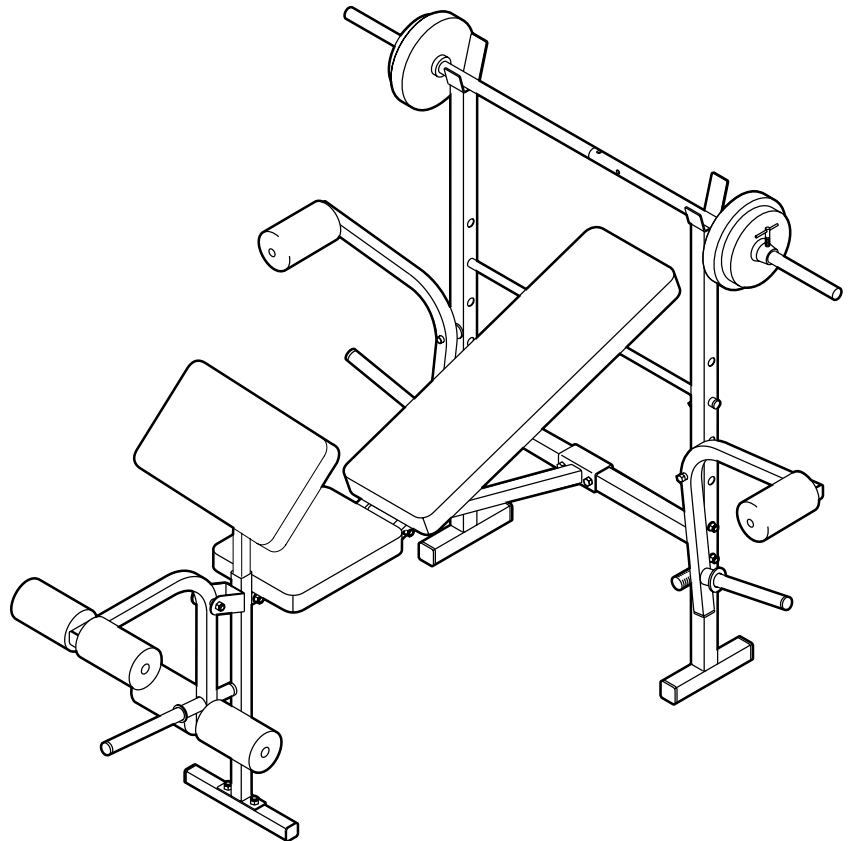


- Assembly
- Adjustments
- Part List and Drawing

⚠ CAUTION

Read all precautions and instructions in this manual before using this equipment. Save this manual for future reference.

WEIGHT BENCH EXERCISER User's Manual



Sears, Roebuck and Co., Hoffman Estates, IL 60179

WEIDER[®] PRO 230

TABLE OF CONTENTS

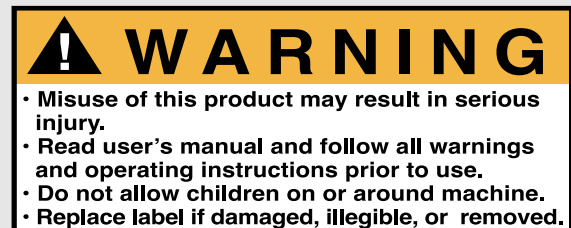
IMPORTANT PRECAUTIONS	3
BEFORE YOU BEGIN	4
ASSEMBLY	5
ADJUSTMENTS	9
EXERCISE GUIDELINES	10
ORDERING REPLACEMENT PARTSBack Cover
LIMITED WARRANTYBack Cover

Note: A PART IDENTIFICATION CHART and a PART LIST/EXPLODED DRAWING are attached in the center of this manual. Remove the PART IDENTIFICATION CHART and PART LIST/EXPLODED DRAWING before beginning assembly.

IMPORTANT PRECAUTIONS

⚠ WARNING: To reduce the risk of serious injury, read the following important precautions before using the weight bench.

1. Read all instructions in this manual before using the weight bench. Use the weight bench only as described in this manual.
2. It is the responsibility of the owner to ensure that all users of the weight bench are adequately informed of all precautions.
3. The weight bench is intended for home use only. Do not use the weight bench in any commercial, rental, or institutional setting.
4. Use the weight bench only on a level surface. Cover the floor beneath the weight bench to protect the floor.
5. Make sure that all parts are properly tightened each time the weight bench is used. Replace any worn parts immediately.
6. Keep children under the age of 12 and pets away from the weight bench at all times.
7. Keep hands and feet away from moving parts.
8. Always wear athletic shoes for foot protection while exercising.
9. The weight bench is designed to support a maximum user weight of 300 pounds, and a maximum total weight of 410 pounds. Do not place more than 110 pounds, including a barbell and weights, on the weight rests. Do not place more than 30 pounds on each fly arm. Do not place more than 50 pounds on the leg lever.
10. Always make sure there is an equal amount of weight on each side of your barbell when you are using it. When adding or removing weights, always keep some weight on both ends of the barbell to prevent the barbell from tipping.
11. When you are using the leg lever, place a barbell with the same amount of weight on the weight rests to balance the bench.
12. Do not use a barbell that is longer than five feet with the weight bench.
13. When using the backrest in an inclined or level position, make sure that the support rod is inserted completely through the uprights and turned to the locked position.
14. If you feel pain or dizziness at any time while exercising, stop immediately and begin cooling down.
15. The decals shown below have been placed on the weight bench in the locations shown on page 4. If a decal is missing or illegible, please call toll-free 1-800-999-3756, Monday through Friday, 6 a.m. until 6 p.m. Mountain Time, to order a free replacement decal. Apply the replacement decal to the location shown.



Decal 1



Decal 2

⚠ WARNING: Before beginning this or any exercise program, consult your physician. This is especially important for persons over the age of 35 or persons with pre-existing health problems. Read all instructions before using. Sears assumes no responsibility for personal injury or property damage sustained by or through the use of this product.

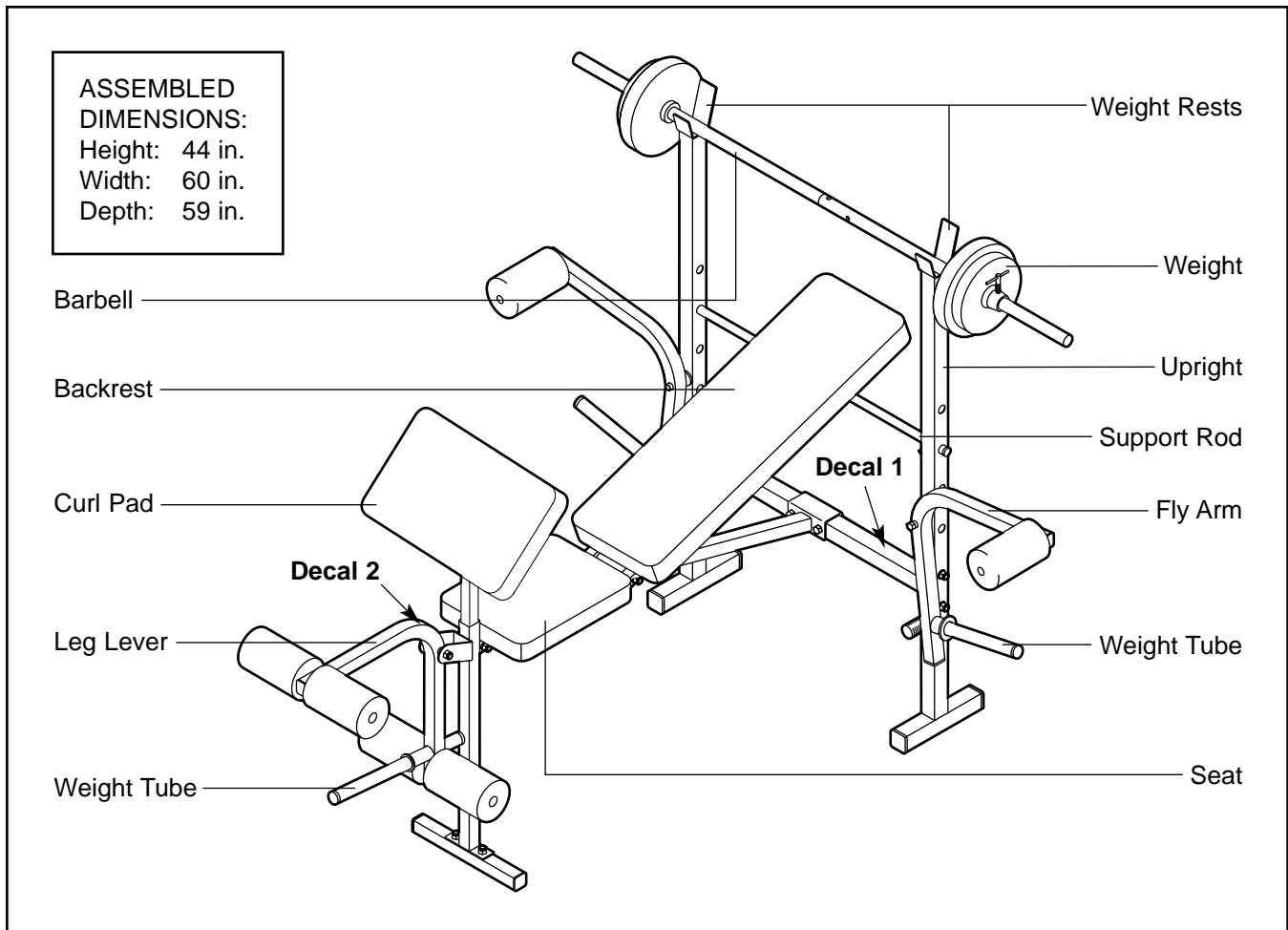
BEFORE YOU BEGIN

Thank you for selecting the WEIDER® PRO 230 weight bench. The versatile weight bench is designed to develop every major muscle group of the body. Whether your goal is a shapely figure, dramatic muscle size and strength, or a healthier cardiovascular system, the weight bench will help you to achieve the specific results you want.

For your benefit, read this manual carefully before using the weight bench. If you have questions after

reading this manual, call 1-800-4-MY-HOME® (1-800-469-4663). To help us assist you, please note the product model number and serial number before calling. The model number is 831.150340. The serial number can be found on a decal attached to the weight bench (see the front cover of this manual).

Before reading further, please look at the drawing below and familiarize yourself with the parts that are labeled.



ASSEMBLY

Make Things Easier for Yourself



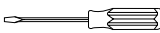
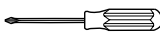
This manual is designed to ensure that the weight bench can be assembled successfully by anyone. Most people find that by setting aside plenty of time, assembly will go smoothly.

Before beginning assembly, carefully read the following information and instructions:

- Assembly requires two people.
- For help identifying small parts, refer to the **PART IDENTIFICATION CHART**.
- Tighten all parts as you assemble them, unless instructed to do otherwise.
- As you assemble the weight bench, make sure all parts are oriented as shown in the drawings.

- Place all parts in a cleared area and remove the packing materials. Do not dispose of the packing materials until assembly is completed.

The following tools (not included) are required for assembly:

- **Two adjustable wrenches** 
- **One rubber mallet** 
- **One standard screwdriver** 
- **One Phillips screwdriver** 
- **Lubricant, such as grease or petroleum jelly, and soapy water.**

Assembly will be more convenient if you have a socket set, a set of open-end or closed-end wrenches, or a set of ratchet wrenches.

1. **Before assembling the weight bench, make sure that you have read and understand the information in the box above. For help identifying small parts, refer to the PART IDENTIFICATION CHART.**

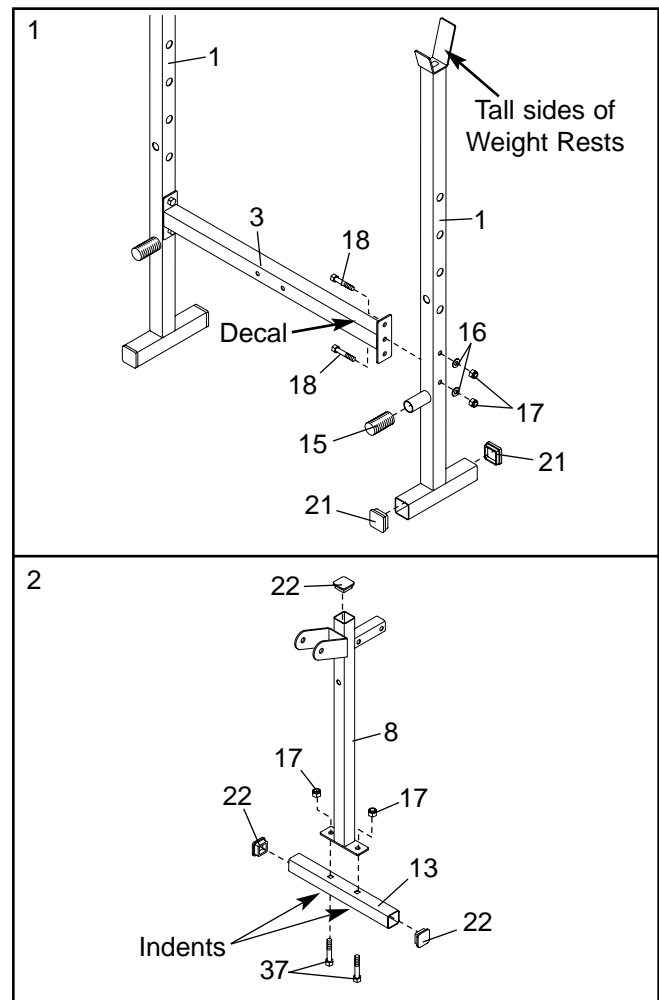
Tap two 38mm Square Inner Caps (21) into the bottom of an Upright (1). Tap a Fly Arm Stop (15) onto the welded tube on the Upright.

Attach the Crossbar (3) to the Upright (1) with two M8 x 55mm Bolts (18), two M8 Washers (16), and two M8 Nylon Locknuts (17). **Note: The decal on the Crossbar must be oriented as shown. Do not tighten the Locknuts yet.**

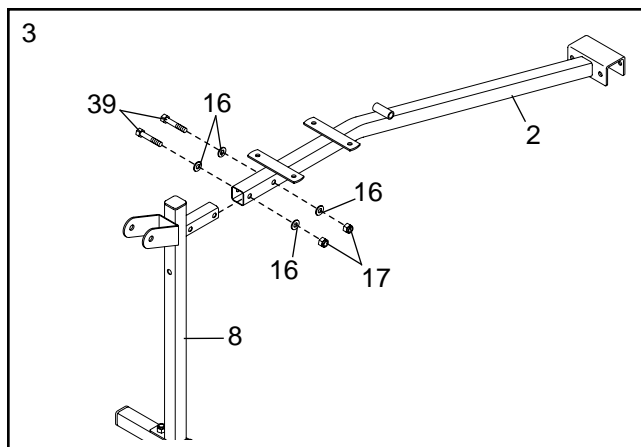
Repeat this step with the other Upright (1).

2. Tap three 30mm Square Inner Caps (22) into the Front Leg (8) and the Stabilizer (13).

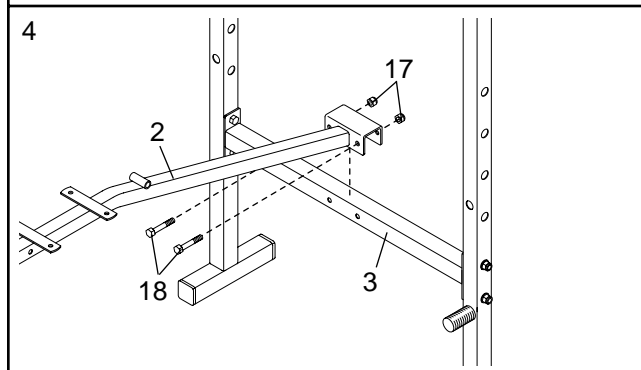
Attach the Front Leg (8) to the Stabilizer (13) with two M8 x 42mm Carriage Bolts (37) and two M8 Nylon Locknuts (17). **Note: The indents around the holes on one side of the Stabilizer must be on the bottom. Do not tighten the Locknuts yet.**



- Attach the Front Leg (8) to the Frame (2) with two M8 x 43mm Bolts (39), four M8 Washers (16), and two M8 Nylon Locknuts (17). **Note: Do not tighten the Locknuts yet.**

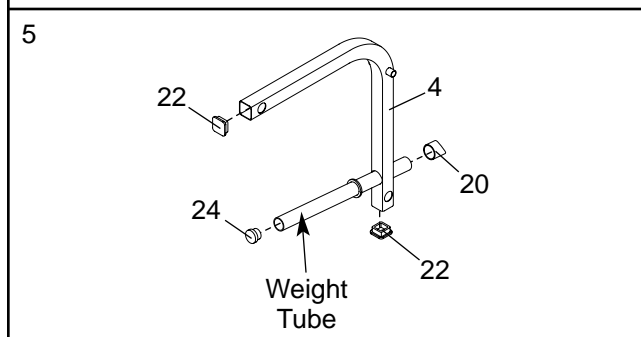


- Attach the Frame (2) to the Crossbar (3) with two M8 x 55mm Bolts (18) and two M8 Nylon Locknuts (17).

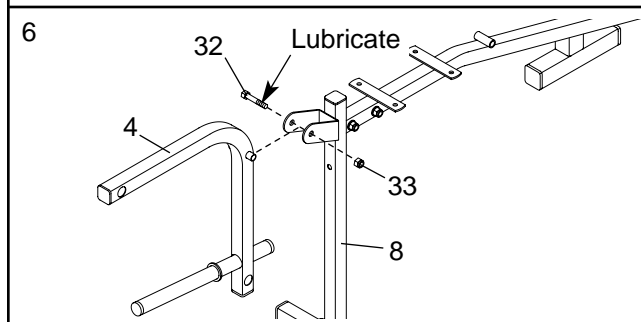


- Tap two 30mm Square Inner Caps (22) into the ends of the Leg Lever (4).

Tap a 25mm Round Inner Cap (24) into the indicated end of the weight tube on the Leg Lever (4). Tap the 25mm Round Angled Cap (20) onto the other end of the weight tube.

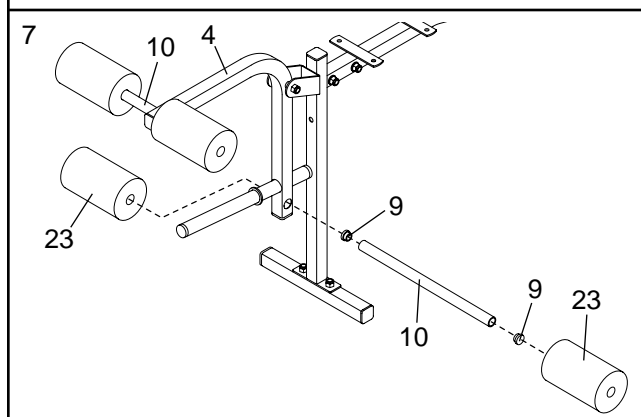


- Lubricate the M10 x 63mm Bolt (32) with grease. Attach the Leg Lever (4) to the Front Leg (8) with the Bolt and an M10 Nylon Locknut (33). **Do not overtighten the Locknut; the Leg Lever must be able to pivot easily.**



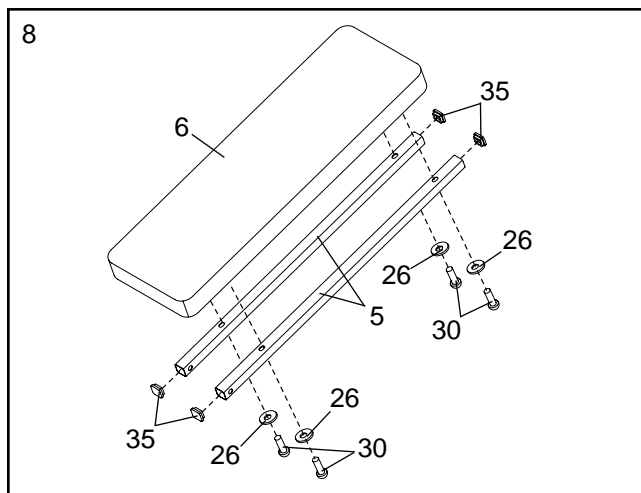
- Tap two 19mm Round Inner Caps (9) into a Long Pad Tube (10). Slide the Long Pad Tube through a hole in the Leg Lever (4). Slide two Long Foam Pads (23) onto the Long Pad Tube.

Repeat this step with the other Long Pad Tube (10).



- Tap four 25mm Square Inner Caps (35) into the ends of the two Backrest Tubes (5).

Attach the Backrest Tubes (5) to the Backrest (6) with four M6 x 38mm Screws (30) and four M6 Washers (26). **Do not tighten the Screws yet.**

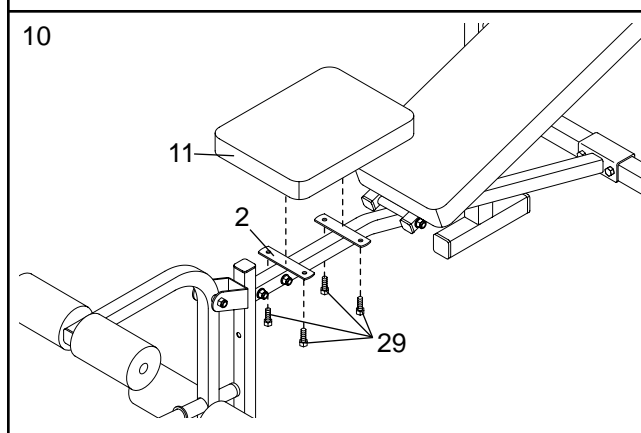
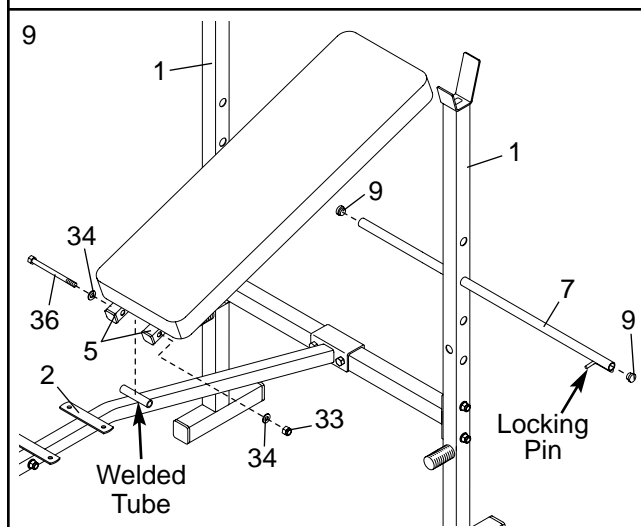


- Tap a 19mm Round Inner Cap (9) into each end of the Support Rod (7). Insert the Support Rod through a set of holes in the Uprights (1). Rotate the Support Rod to the locked position, with the locking pin wrapped around the Upright.

Lubricate the M10 x 137mm Bolt (36) with grease. Attach the Backrest Tubes (5) to the welded tube on the Frame (2) with the Bolt, two M10 Washers (34), and an M10 Nylon Locknut (33). **Do not overtighten the Locknuts; the Backrest Tubes must be able to pivot easily.**

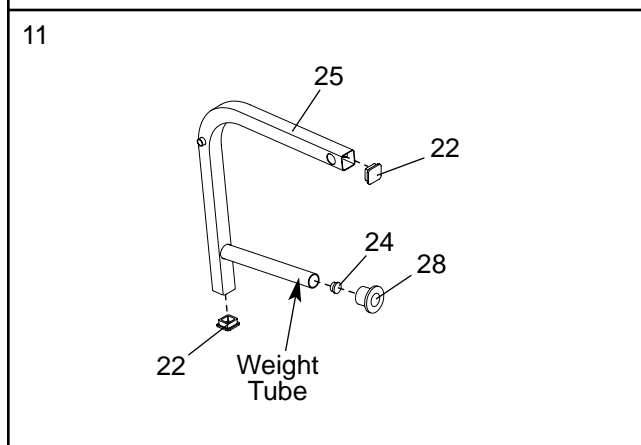
Tighten the Nylon Locknuts (17, 33) used in steps 1–4. Tighten the M6 x 38mm Screws (30) used in step 8.

- Attach the Seat (11) to the brackets on the Frame (2) with four M6 x 16mm Screws (29).



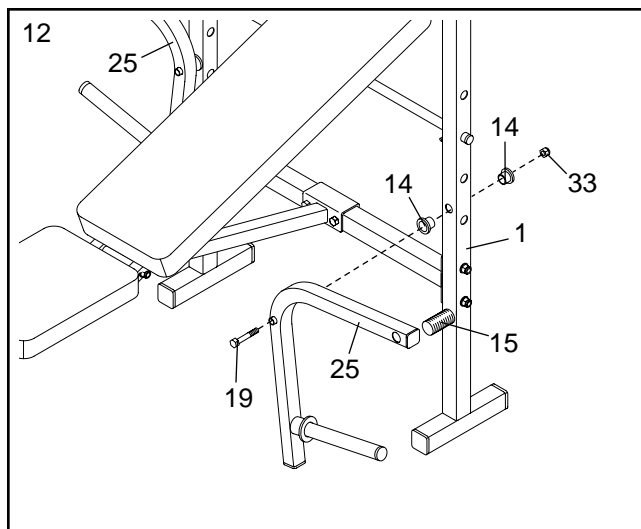
- Tap two 30mm Square Inner Caps (22) into the ends of a Fly Arm (25). Press a 25mm Round Inner Cap (24) into the end of the weight tube. Slide a Weight Stop (28) onto the weight tube.

Assemble the other Fly Arm (not shown) in the same manner.



12. Press two Plastic Bushings (14) into the indicated holes in an Upright (1). Attach a Fly Arm (25) to the Upright with an M10 x 120mm Bolt (19) and an M10 Nylon Locknut (33). Make sure the Fly Arm is on the outside of the Fly Arm Stop (15). **Do not overtighten the Locknut; the Fly Arm must be able to pivot easily.**

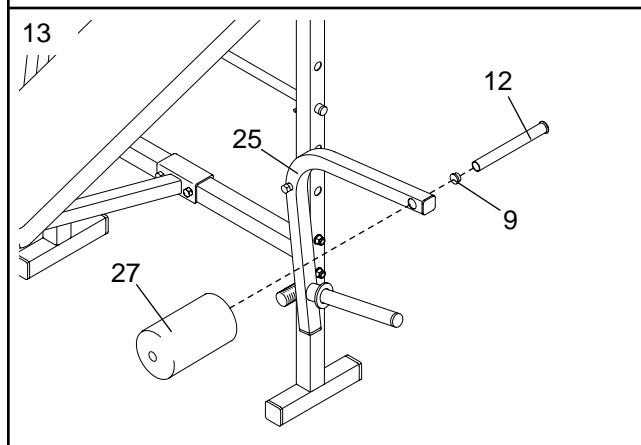
Attach the other Fly Arm (25) to the other Upright (1) in the same manner.



13. Press a 19mm Round Inner Cap (9) into the end of a Short Pad Tube (12). Slide the Short Pad Tube through the indicated hole in a Fly Arm (25), as shown.

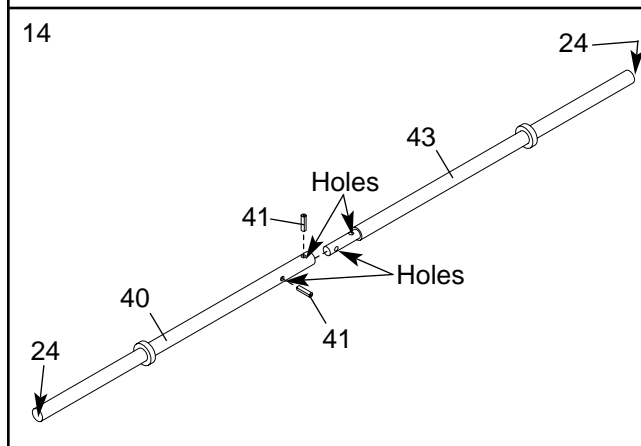
Push a Short Foam Pad (27) onto the Short Pad Tube (12) as far as it will go; the Foam Pad will hold the Short Pad Tube in place.

Repeat this step with the other Fly Arm (not shown).

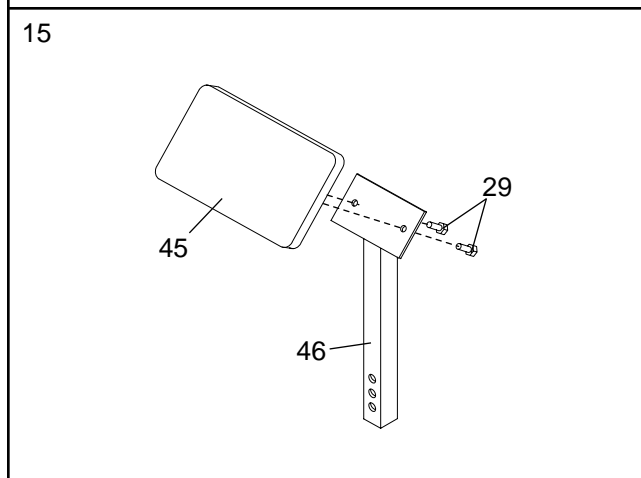


14. Insert the Inner Bar (43) into the Outer Bar (40) and align the indicated holes. Using a hammer, tap the two Roll Pins (41) into the holes until they are flush with the Outer Bar.

Press two 25mm Round Inner Caps (24) into the ends of the Inner and Outer Bars (40, 43).



15. Attach the Curl Pad (45) to the Curl Post (46) with two M6 x 16mm Screws (29).



16. **Make sure that all parts are properly tightened before the weight bench is used. The use of all remaining parts will be explained in ADJUSTMENTS starting on the next page.**

ADJUSTMENTS

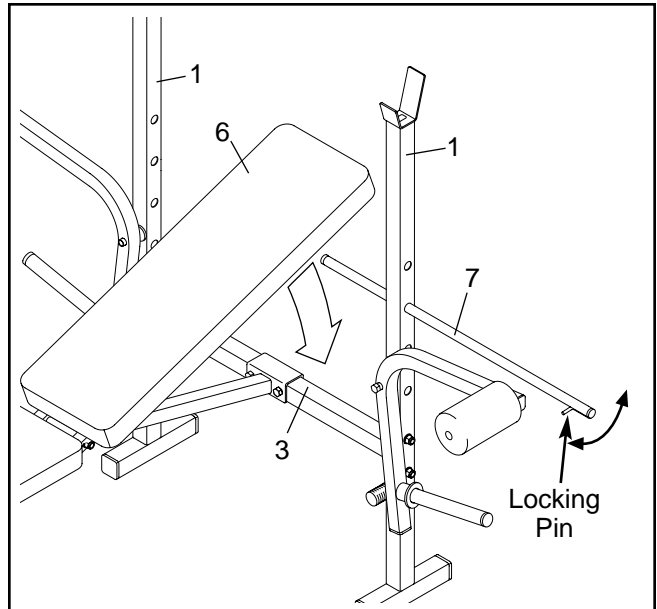
The steps below explain how the weight bench can be adjusted. Refer to the accompanying exercise guide to see the correct form for several exercises.

Make sure all parts are properly tightened each time the weight bench is used. Replace any worn parts immediately. The weight bench can be cleaned with a damp cloth and a mild, non-abrasive detergent. Do not use solvents.

ADJUSTING THE BACKREST

The Backrest (6) can be used in a declined position, a level position, or three inclined positions. To use the Backrest in a declined position, remove the Support Rod (7) and lay the Backrest on the Crossbar (3).

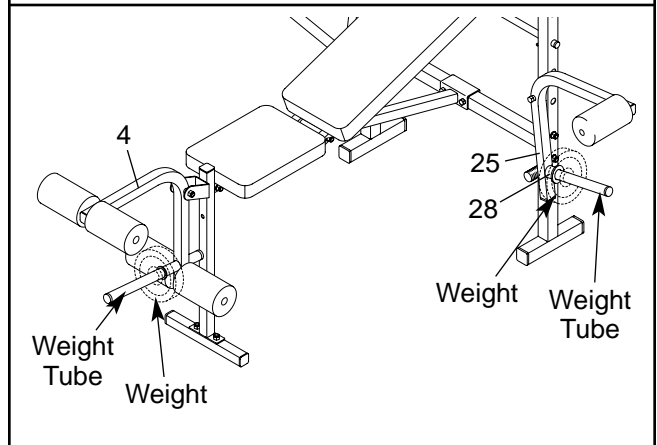
To use the Backrest (6) in a level position or an inclined position, insert the Support Rod (7) through a set of holes in the Uprights (1). Rotate the Support Rod to the locked position, so the locking pin is wrapped around the Upright. Rest the Backrest on the Support Rod.



ATTACHING WEIGHTS

To use the Leg Lever (4), slide the desired weights onto the weight tube on the Leg Lever. **Do not place more than 50 pounds on the Leg Lever.**

To use the Fly Arms (25), make sure there is a Weight Stop (28) on each weight tube. Next, slide the desired amount of weight onto the weight tubes. **Do not place more than 30 pounds on each Arm.**

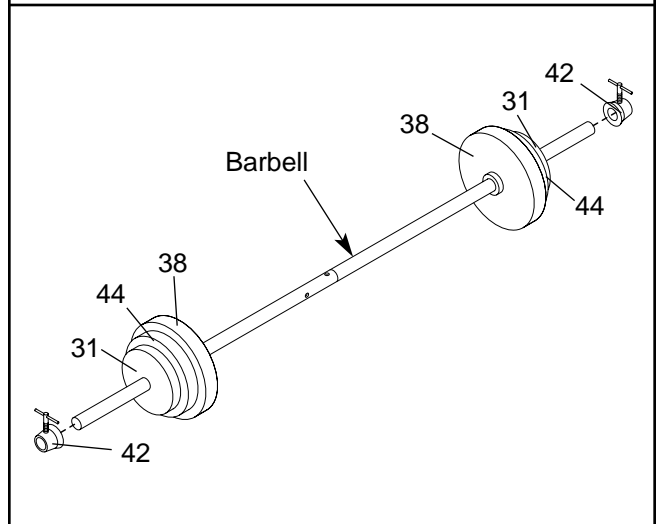


⚠ WARNING: When using the Leg Lever (4), place a barbell with the same amount of weight on the weight rests to balance the bench.

ATTACHING WEIGHTS TO THE BARBELL

Slide an equal amount of Weight (31, 44, 38) onto each end of the barbell. Slide the two Lock Collars (42) against the Weights, and tighten them fully.

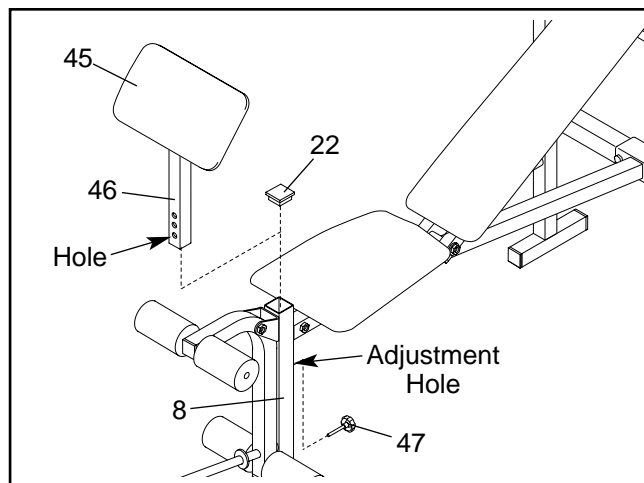
⚠ WARNING: Always secure the Weights (31, 44, 38) on the barbell with the Lock Collars (42). Never use the barbell with more than 100 pounds.



ATTACHING THE CURL PAD

For some exercises, the Curl Pad (45) needs to be attached to the weight bench. To do this, remove the 30mm Square Inner Cap (22) from the Front Leg (8). Insert the Curl Post (46) into the Front Leg and align an adjustment hole in the Curl Post with the adjustment hole in the Front Leg. Secure the Curl Post with the Curl Knob (47).

Note: When the Curl Pad (45) is not being used, it should be stored away from the weight bench, and the 30mm Square Inner Cap (22) should be inserted into the Front Leg (8).



EXERCISE GUIDELINES

THE FOUR BASIC TYPES OF WORKOUTS

Muscle Building

To increase the size and strength of your muscles, push them close to their maximum capacity. Your muscles will continually adapt and grow as you progressively increase the intensity of your exercise. You can adjust the intensity level of an individual exercise in two ways:

- by changing the amount of resistance used
- by changing the number of repetitions or sets performed. (A “repetition” is one complete cycle of an exercise, such as one sit-up. A “set” is a series of repetitions.)

The proper amount of resistance for each exercise depends upon the individual user. You must gauge your limits and select the amount of resistance that is right for you. Begin with 3 sets of 8 repetitions for each exercise you perform. Rest for 3 minutes after each set. When you can complete 3 sets of 12 repetitions without difficulty, increase the amount of resistance.

Toning

You can tone your muscles by pushing them to a moderate percentage of their capacity. Select a moderate amount of resistance and increase the number of repetitions in each set. Complete as many sets of 15 to 20 repetitions as possible without discomfort. Rest for 1 minute after each set. Work your muscles by completing more sets rather than by using high amounts of resistance.

Weight Loss

To lose weight, use a low amount of resistance and increase the number of repetitions in each set. Exercise for 20 to 30 minutes, resting for a maximum of 30 seconds between sets.

Cross Training

Cross training is an efficient way to get a complete and well-balanced fitness program. An example of a balanced program is:

- Plan strength training workouts on Monday, Wednesday, and Friday.
- Plan 20 to 30 minutes of aerobic exercise, such as running on a treadmill or riding on an elliptical or exercise bike, on Tuesday and Thursday.
- Rest from both strength training and aerobic exercise for at least one full day each week to give your body time to regenerate.

The combination of strength training and aerobic exercise will reshape and strengthen your body, plus develop your heart and lungs.

PERSONALIZING YOUR EXERCISE PROGRAM

Determining the exact length of time for each workout, as well as the number of repetitions or sets completed, is an individual matter. It is important to avoid overdoing it during the first few months of your exercise program. You should progress at your own pace and be sensitive to your body’s signals. If you experience pain or dizziness at any time while exercising, stop immediately and begin cooling down. Find out what is wrong before continuing. Remember that adequate rest and a proper diet are important factors in any exercise program.

WARMING UP

Begin each workout with 5 to 10 minutes of stretching and light exercise to warm up. Warming up prepares your body for more strenuous exercise by increasing circulation, raising your body temperature and delivering more oxygen to your muscles.

WORKING OUT

Each workout should include 6 to 10 different exercises. Select exercises for every major muscle group, emphasizing areas that you want to develop most. To give balance and variety to your workouts, vary the exercises from session to session.

Schedule your workouts for the time of day when your energy level is the highest. Each workout should be followed by at least one day of rest. Once you find the schedule that is right for you, stick with it.

EXERCISE FORM

Maintaining proper form is an essential part of an effective exercise program. This requires moving through the full range of motion for each exercise, and moving only the appropriate parts of the body. Exercising in an uncontrolled manner will leave you feeling exhausted. On the exercise guide accompanying this manual you will find photographs showing the correct form for several exercises, and a list of the muscles affected. Refer to the muscle chart on the next page to find the names of the muscles.

The repetitions in each set should be performed smoothly and without pausing. The exertion stage of each repetition should last about half as long as the return stage. Proper breathing is important. Exhale during the exertion stage of each repetition and inhale during the return stroke. Never hold your breath.

Rest for a short period of time after each set. The ideal resting periods are:

- Rest for three minutes after each set for a muscle building workout.
- Rest for one minute after each set for a toning workout.
- Rest for 30 seconds after each set for a weight loss workout.

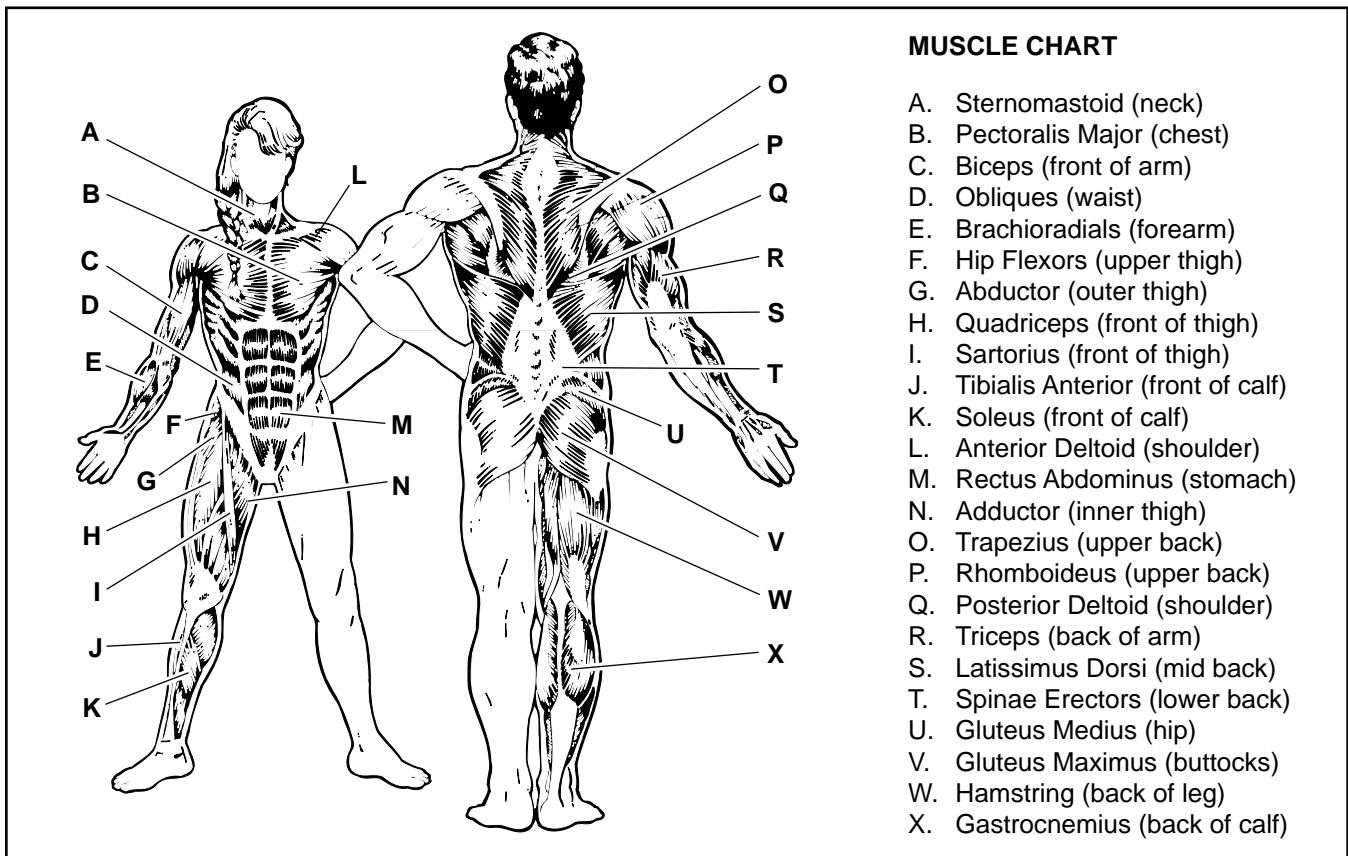
Plan to spend the first couple of weeks familiarizing yourself with the equipment and learning the proper form for each exercise.

COOLING DOWN

End each workout with 5 to 10 minutes of stretching. Include stretches for both your arms and legs. Move slowly as you stretch and do not bounce. Ease into each stretch gradually and go only as far as you can without strain. Stretching at the end of each workout is an effective way to increase flexibility.

STAYING MOTIVATED

For motivation, keep a record of each workout. List the date, the exercises performed, the resistance used, and the numbers of sets and repetitions completed. Record your weight and key body measurements at the end of every month. Remember, the key to achieving the greatest results is to make exercise a regular and enjoyable part of your everyday life.



PART IDENTIFICATION CHART

This chart is provided to help you identify the small parts used in assembly. The number in parenthesis below each part refers to the key number of the part from the PART LIST in the center of this manual. **Important:** Some parts may have been pre-assembled for shipping purposes. If a part is missing, call toll-free 1-800-999-3756.

	<p>M10 x 137mm Bolt (36)</p>		
	<p>M10 x 120mm Bolt (19)</p>		
	<p>M10 x 63mm Bolt (32)</p>		<p>M6 Washer (26)</p>
	<p>M8 x 55mm Bolt (18)</p>		<p>M8 Washer (16)</p>
	<p>M8 x 42mm Carriage Bolt (37)</p>		
	<p>M8 x 43mm Bolt (39)</p>		<p>M10 Washer (34)</p>
	<p>M6 x 38mm Screw (30)</p>		
	<p>M6 x 16mm Screw (29)</p>		<p>M8 Nylon Locknut (17)</p>
			<p>M10 Nylon Locknut (33)</p>

PART LIST—Model No. 831.150340

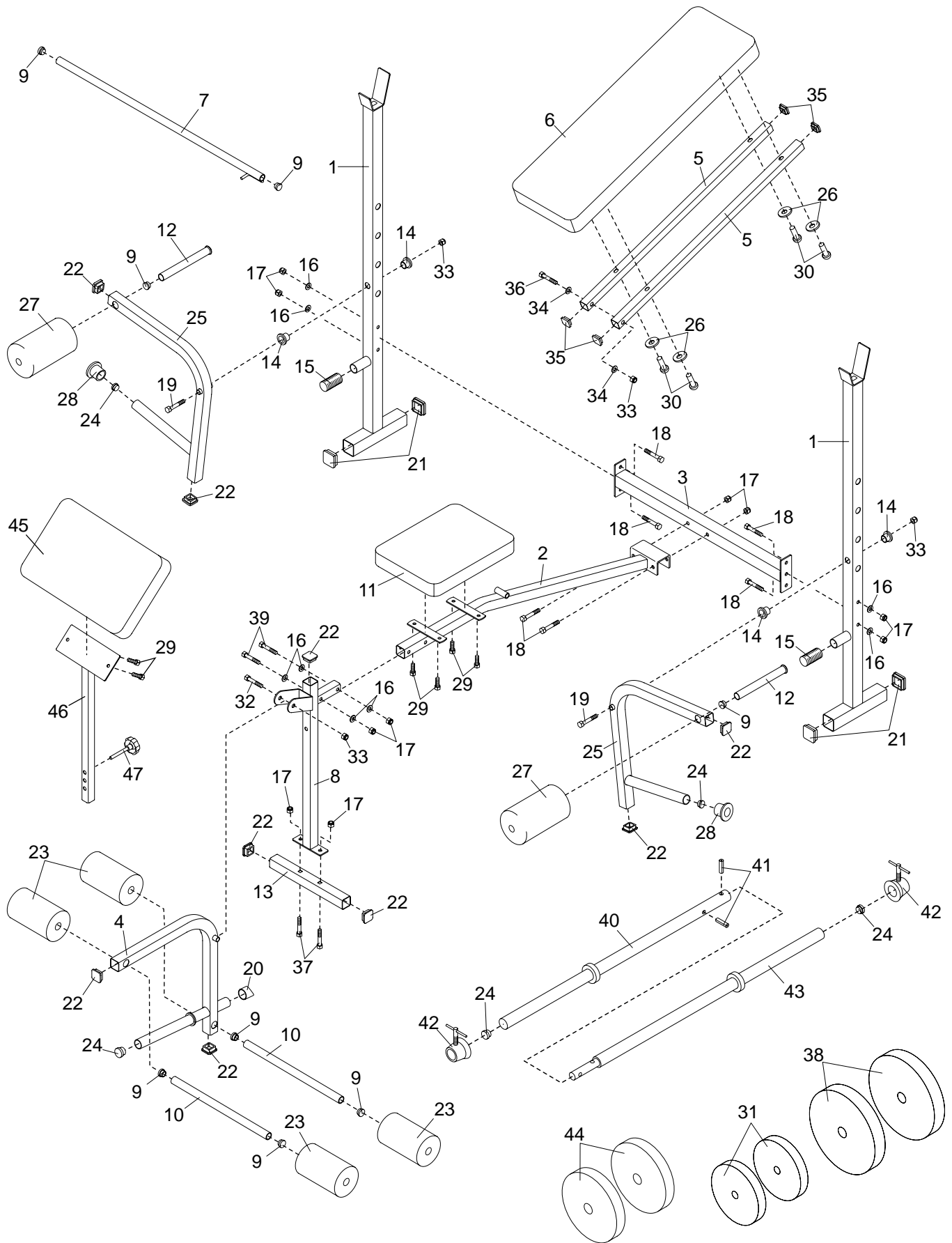
R0803A

Key No.	Qty.	Description	Key No.	Qty.	Description
1	2	Upright	26	4	M6 Washer
2	1	Frame	27	2	Short Foam Pad
3	1	Crossbar	28	2	Weight Stop
4	1	Leg Lever	29	6	M6 x 16mm Screw
5	2	Backrest Tube	30	4	M6 x 38mm Screw
6	1	Backrest	31	2	5-pound Weight
7	1	Support Rod	32	1	M10 x 63mm Bolt
8	1	Front Leg	33	4	M10 Nylon Locknut
9	8	19mm Round Inner Cap	34	2	M10 Washer
10	2	Long Pad Tube	35	4	25mm Square Inner Cap
11	1	Seat	36	1	M10 x 137mm Bolt
12	2	Short Pad Tube	37	2	M8 x 42mm Carriage Bolt
13	1	Stabilizer	38	2	25-pound Weight
14	4	Plastic Bushing	39	2	M8 x 43mm Bolt
15	2	Fly Arm Stop	40	1	Outer Bar
16	8	M8 Washer	41	2	Roll Pin
17	10	M8 Nylon Locknut	42	2	Lock Collar
18	6	M8 x 55mm Bolt	43	1	Inner Bar
19	2	M10 x 120mm Bolt	44	2	10-pound Weight
20	1	25mm Round Angled Cap	45	1	Curl Pad
21	4	38mm Square Inner Cap	46	1	Curl Post
22	9	30mm Square Inner Cap	47	1	Curl Knob
23	4	Long Foam Pad	#	1	User's Manual
24	5	25mm Round Inner Cap	#	1	Exercise Guide
25	2	Fly Arm	#	1	Grease Pack

Note: “#” indicates a non-illustrated part. Specifications are subject to change without notice. See the back cover of this manual for information about ordering replacement parts. If a part is missing, call toll-free 1-800-999-3756.

EXPLODED DRAWING—Model No. 831.150340

R0803A



Get it fixed, at your home or ours!

Your Home

For repair – **in your home** – of **all** major brand appliances, lawn and garden equipment, or heating and cooling systems, **no matter who made it, no matter who sold it!**

For the replacement parts, accessories, and user's manuals that you need to do-it-yourself.

For Sears professional installation of home appliances and items like garage door openers and water heaters.

1-800-4-MY-HOME®

(1-800-469-4663)

www.sears.com

Anytime, day or night

(U.S.A. and Canada)

www.sears.ca

Our Home

For repair of carry-in products like vacuums, lawn equipment, and electronics, call or go on-line for the location of your nearest **Sears Parts and Repair Center.**

1-800-488-1222 Anytime, day or night (U.S.A. only)

www.sears.com

To purchase a protection agreement (U.S.A.) or maintenance agreement (Canada) on a product serviced by Sears:

1-800-827-6655 (U.S.A.)

1-800-361-6665 (Canada)

Para pedir servicio de reparación a domicilio, y para ordenar piezas:

1-888-SU-HOGARSM (1-888-784-6427)

SEARS

® Registered Trademark / ™ Trademark / ℠ Service Mark of Sears, Roebuck and Co.
® Marca Registrada / ™ Marca de Fábrica / ℠ Marca de Servicio de Sears, Roebuck and Co.

WARRANTY

For 90 days from the date of purchase, if failure occurs due to defect in material or workmanship in this WEIGHT BENCH EXERCISER, contact the nearest Sears Service Center throughout the United States and Sears will repair or replace the WEIGHT BENCH EXERCISER, free of charge.

This warranty does not apply when the WEIGHT BENCH EXERCISER is used commercially or for rental purposes.

This warranty gives you specific legal rights, and you may also have other rights which vary from state to state.

Sears, Roebuck and Co., Dept 817WA, Hoffman Estates, IL 60179

Free Manuals Download Website

<http://myh66.com>

<http://usermanuals.us>

<http://www.somanuals.com>

<http://www.4manuals.cc>

<http://www.manual-lib.com>

<http://www.404manual.com>

<http://www.luxmanual.com>

<http://aubethermostatmanual.com>

Golf course search by state

<http://golfingnear.com>

Email search by domain

<http://emailbydomain.com>

Auto manuals search

<http://auto.somanuals.com>

TV manuals search

<http://tv.somanuals.com>